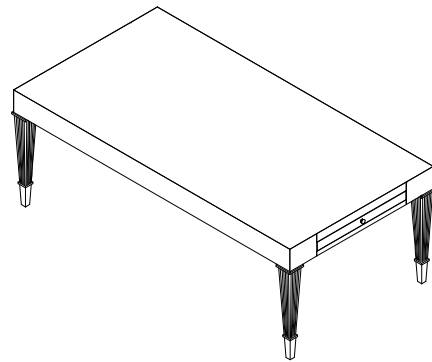


ASSEMBLY INSTRUCTIONS

426-910



TOOLS REQUIRED:

Allen Key (supplied, part # D)

BEFORE YOU START:

1. Check the parts against the parts list to make sure all items are present.
2. Assemble your furniture on a soft, flat surface to avoid scratching the finish.
3. **CAUTION:** Do not over tighten screws, nuts or bolts during assembly.
4. Your furniture may require occasional tightening.

INSTRUCTIONS:

1. Lay the top on a clean and padded surface to prevent scratches and attach the leg to table top. (See Figure 1).

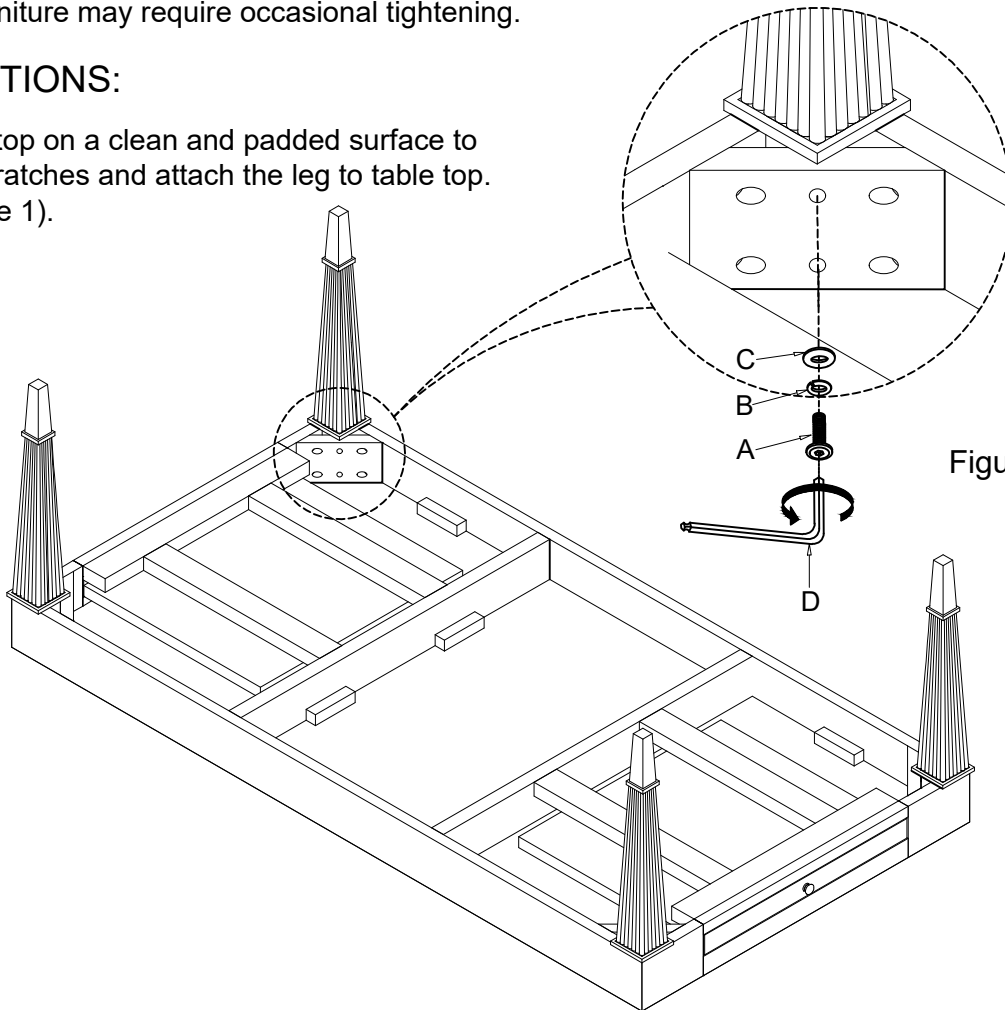


Figure 1

No.	Hardware List		Q'ty
A		Bolt Ø5/16x L1-3/4"	8
B		Lock Washer Ø5/16"	8
C		Flat Washer Ø5/16"	8
D		Allen Key 4mm	1