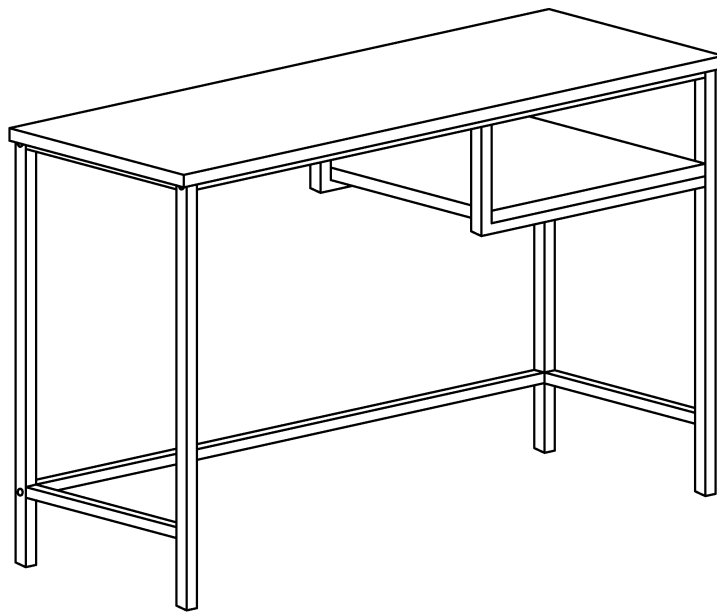


ASSEMBLY INSTRUCTIONS






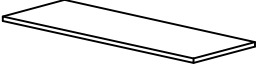

Desk



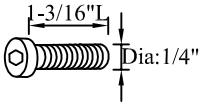
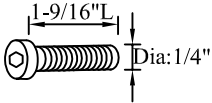
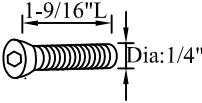

NOTE TO CUSTOMERS:

- For ease and speed of assembly we recommend that before you commence each step of the assembly that you identify all the parts required to complete that step.
- We recommend that where possible you allow sufficient space to assemble the item as close as possible to the place where it will be once assembled.
- For the protection of your furniture we recommend that the product is placed on protected surfaces during assembly to prevent any damage.
- During assembly do not over tighten, as this may damage the product.
- Please ensure you retain all the product packaging until the item completely assembled.
- Please periodically check all fittings and re-tighten as necessary.
- Please never allow any liquids to remain on your furniture as absorption can cause the wood to warp or finish to de-laminate.
- It is recommended that this item should be assembled by two adults.

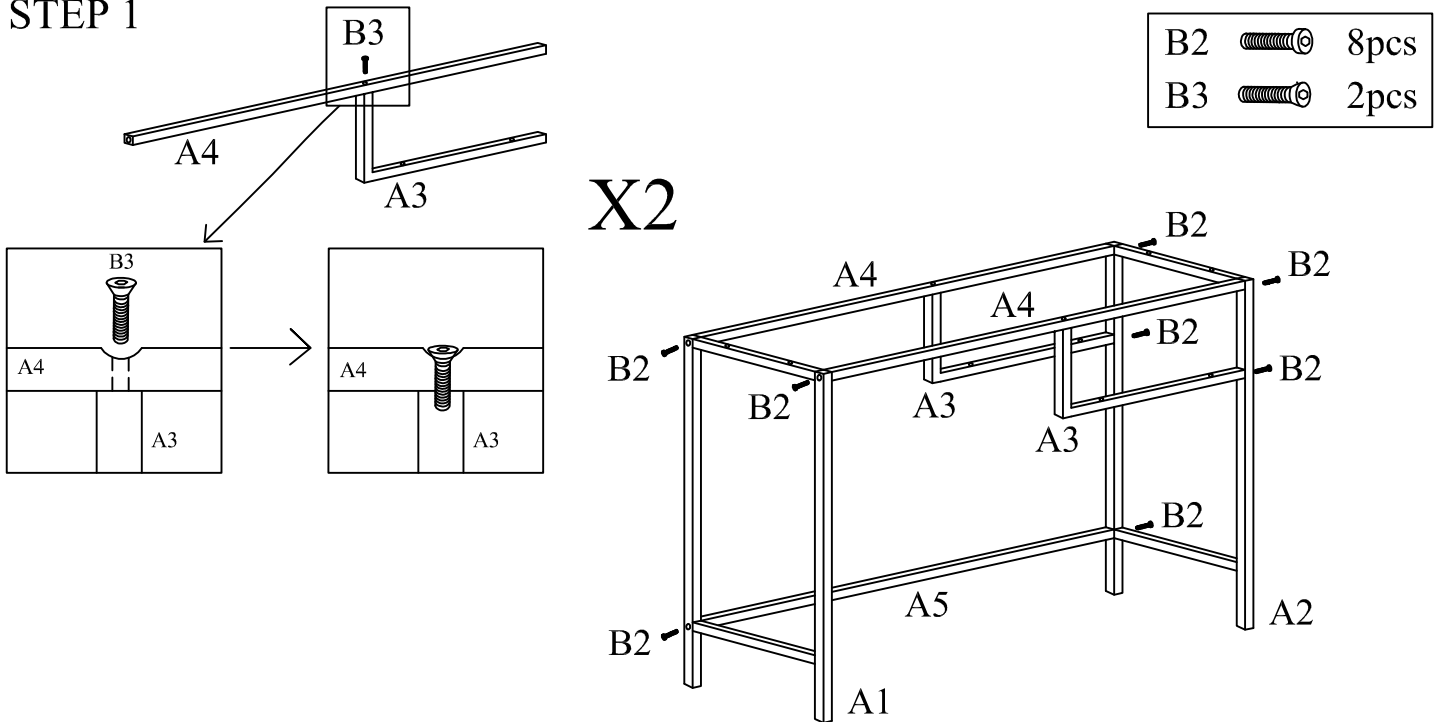
Part List

A1. Quantity of 1	A2. Quantity of 1	A3. Quantity of 2	A4. Quantity of 2
			
Side Frame	Side Frame	Connect Bar	Upper Connect Bar
A5. Quantity of 1	A6. Quantity of 1	A7. Quantity of 1	
			
Lower Connect Bar	Top Panel	Shelf	

Hardware List

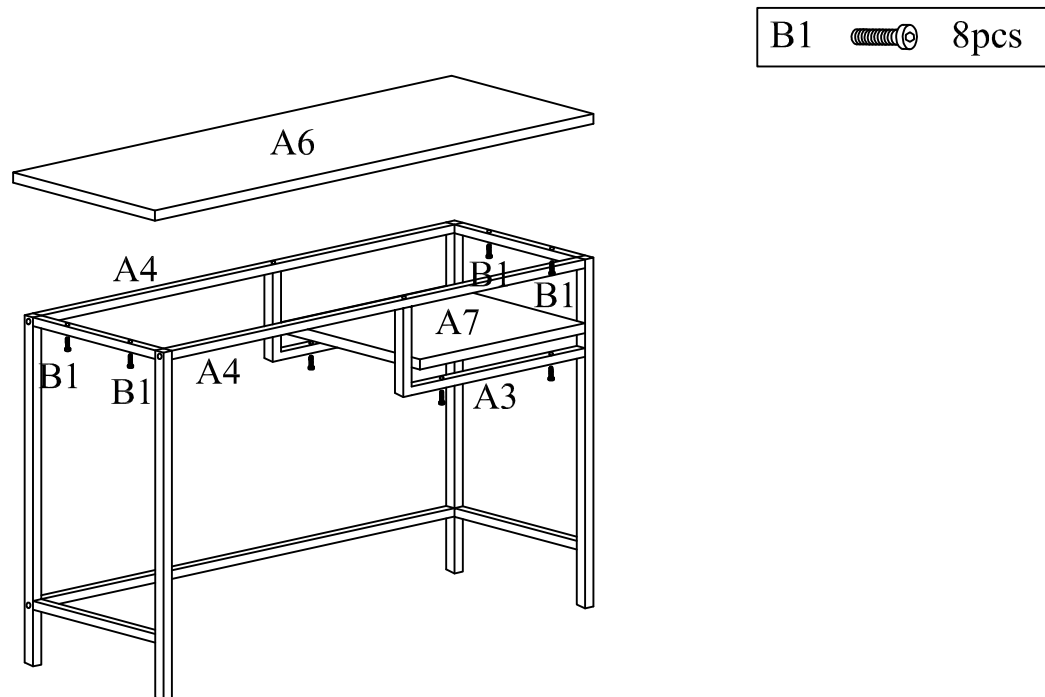
B1. Quantity of 8	B2. Quantity of 8	B3. Quantity of 2	
			
Bolt	Bolt	Bolt	Allen Wrench

STEP 1



- 1). Assemble Connect Bar A3 to Upper Connect Bar A4 using Bolts B3 as shown above.
 - 2). Assemble Side Frames A1 & A2 to Connect Bars A3 & A4 & A5 using Bolts B2.
- Noted: Please do not tighten Bolts B2 until Step 2.

STEP 2



- 1). Assemble Shelf A7 to Connect Bars A3 using Bolts B1.
 - 2). Assemble Top Panel A6 to Connect Bars A4 using Bolts B1.
- Noted: Place unit on the floor and check if it is stable before tightening all bolts.