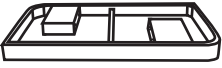




ASSEMBLY INSTRUCTIONS

SKU# CVFNR4626

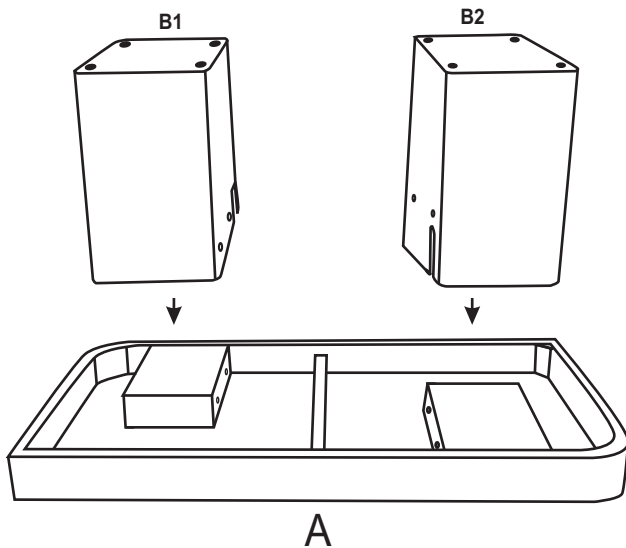
PARTS

S.NO.	DESCRIPTION	QNT
A	 WOODEN TOP	1
B	 LEGS B1/B2	2

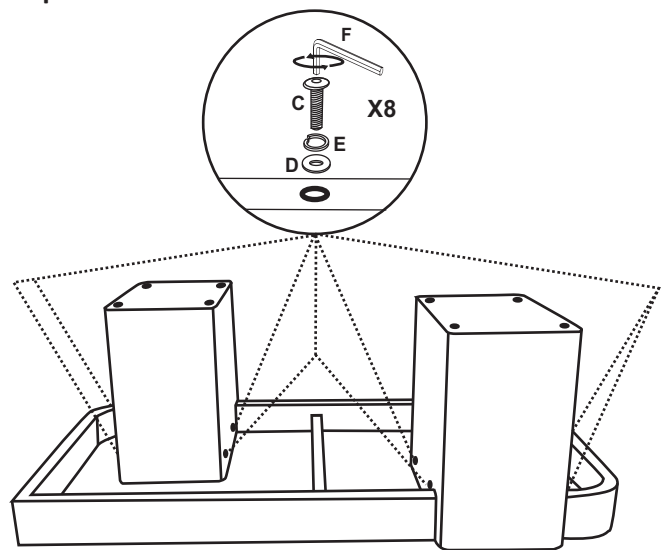
HARDWARE

S.NO.	DESCRIPTION	QNT
C	 ALLEN BOLT 8X40MM	8
D	 WASHER 8X20MM	4
E	 LOCK WASHER 8X15MM	8
F	 ALLEN KEY 4MM	1

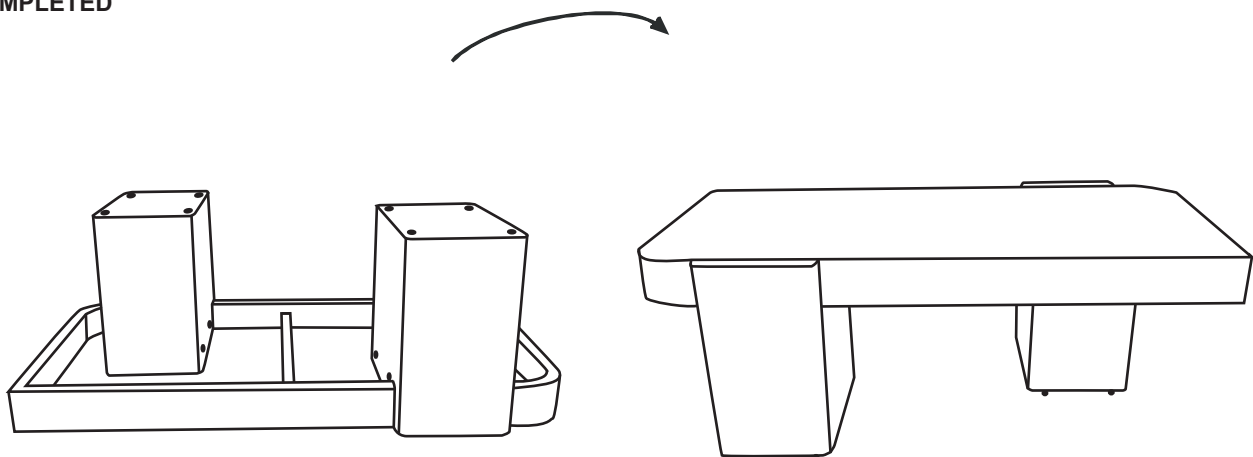
Step 1



Step 2



COMPLETED



Adjust height for balance

Adjust height
for balance



MADE IN INDIA