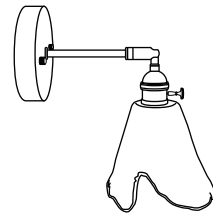
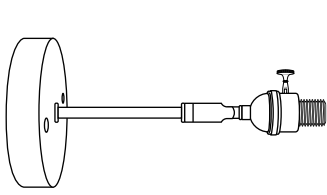


Wall Sconces Fixture

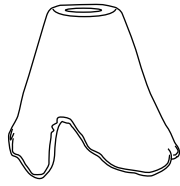
Model# JK-WS002AM15



PACKAGE CONTENTS



1 x Wall Sconces Fixture



1 x Lamp Housing



3 x Wire Nuts



3 x Screws

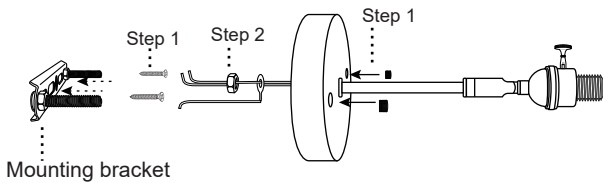


3 x Plastic Expansion Pipes

How to install the Wall Sconces Fixture

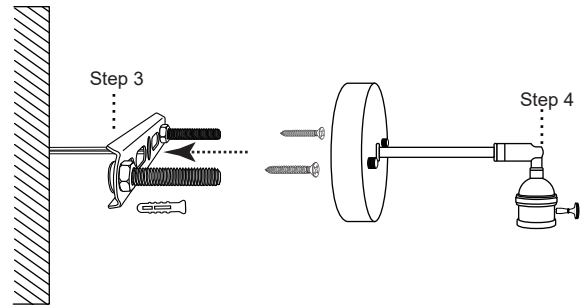
1

Step 1: Unscrew the two nuts from the fixture base and remove the mounting bracket.
 Step 2: Slip the ground wire over the lamp holder's wire, then pass the nut through the lamp holder's wire, and tighten the nut to secure the ground wire to the lamp holder.



2

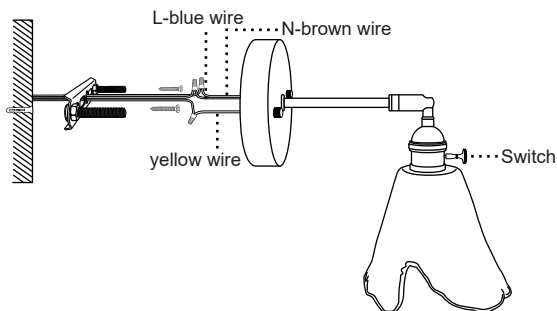
Step 3: Use plastic expansion pipes and screws to secure the bracket to the wall.
 Step 4: The lamp head is adjustable and can be bent downward by applying pressure for optimal positioning.



3

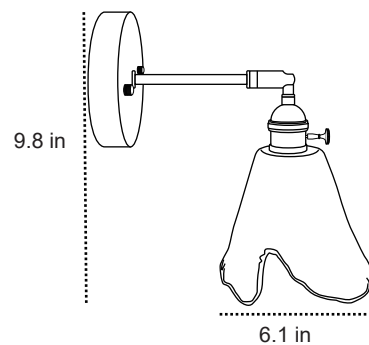
Connect the house live wire to the blue wire (L) from the light fixture using a wire connector. Attach the neutral wire from the house to the brown wire (N) from the light fixture. Then, attach the ground wire from the house to the yellow wire from the light fixture the same way. Wrap all wire connections with electrical tape for a more secure connection.

Carefully tuck all wire connections into the outlet box. Unscrew the fastening clasp on the light fixture, place the lampshade onto the fixture, then rotate the fastening clasp back into place to secure the lampshade. Finally, insert the bulb to complete the installation. After installing the bulb, rotate the switch on the light fixture forward to turn on the light.



4

Please note: this product is a light fixture only; bulbs are not included.



Maintenance

1. Voltage: 85-265V
2. Don't install it on the moist ceiling.
3. Turn off the power before clean out
4. Please wash with the sanitizer without corrosivity.
5. Please install according to the installation manual.