

Thank You for purchasing this Quality product. It has been engineered for easy assembly yet constructed for durability. Please take the time to read and follow the instructions while assembling.

ASSEMBLY INSTRUCTION ROUND BUTTERFLY COUNTER HEIGHT TABLE

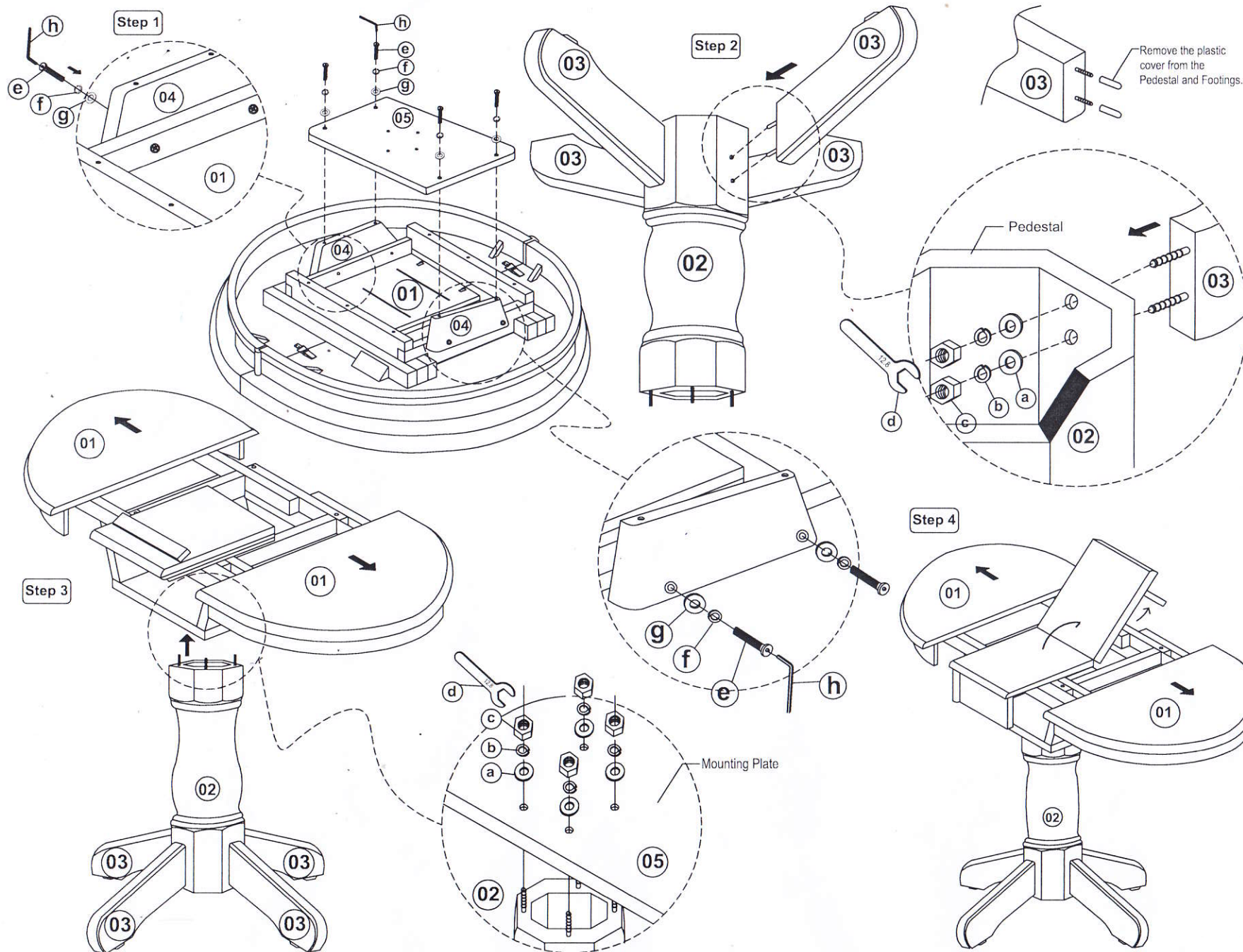
Size : 42" x 42" x 60" x 36"H

List of Part For 1 Set

01		Table Top	1
02		Pedestal	1
03		Table Leg	4
04		Supporting Rail	2
05		Mounting Plate	1

List of hardware For 1 Set

a		Flat Washer 5/16" x 22mm	12
b		Spring Washer 5/16"	12
c		Hexagon Nut 5/16" x 7mm	12
d		Spanner 12.8mm	1
e		JCBC Bolt M6 x 40mm	8
f		Spring Washer 1/4"	8
g		Flat Washer 1/4 x 13mm	8
h		Allen Key M4	1



Important Notes

- * Keep all hardware parts out of reach of children.
- * Must tighten screws periodically. With use screws will become loose. Check tightness of all screws every 6-8 weeks.
- * Don't attempt to repair or modify parts that are broken or defective. Please contact the store immediately.
- * Do not tighten all screw / bolt until all completely assembled



Assembly Completed !!.