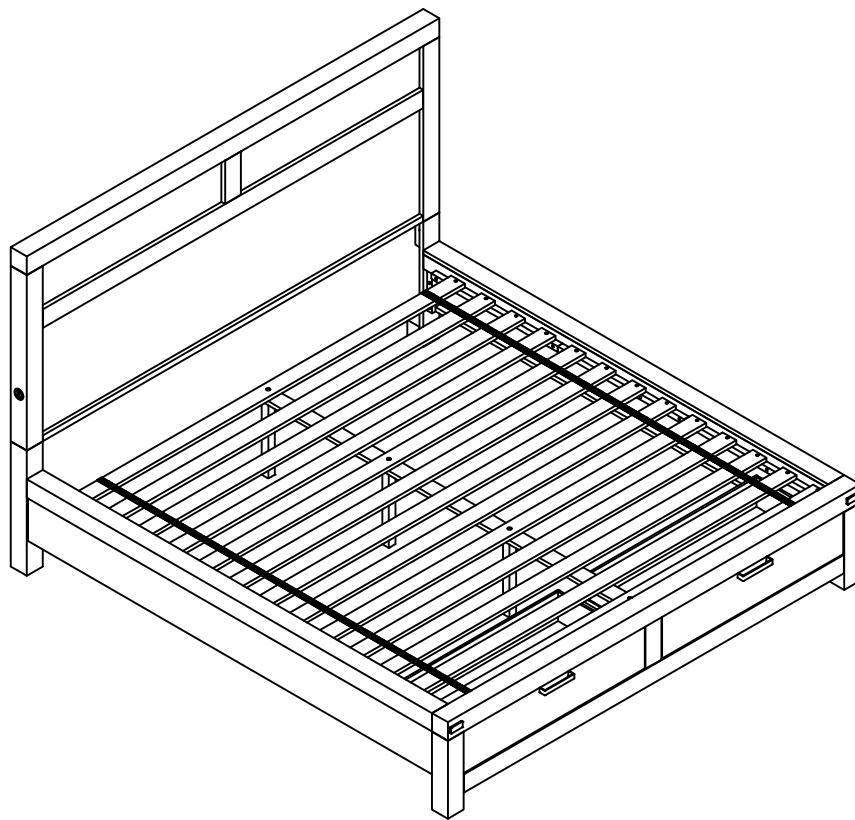


# Assembly Instructions



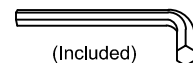
## ASSEMBLY RATING

The Assembly Rating is a 5-point system that shows the degree of effort needed in assembling a specific product (with 1 being easy and 5 being difficult). For some products, two persons are recommended.

EASY  DIFFICULT

## Tools Required For Assembly:

Allen Wrench



Phillips Screwdriver

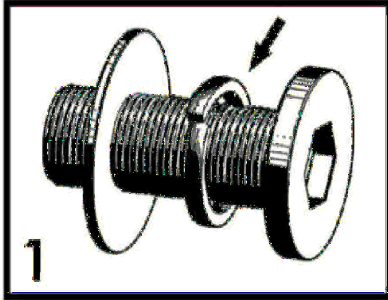


2 PERSONS RECOMMENDED

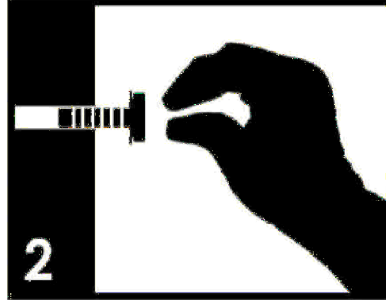
# ASSEMBLY & CARE ADVICE

FOR YOUR FURNITURE TO LAST, CORRECT ASSEMBLY AND PROPER MAINTENANCE ARE NECESSARY. PLEASE FOLLOW THE INFORMATION PROVIDED BELOW TO FULLY ENJOY YOUR FURNITURE.

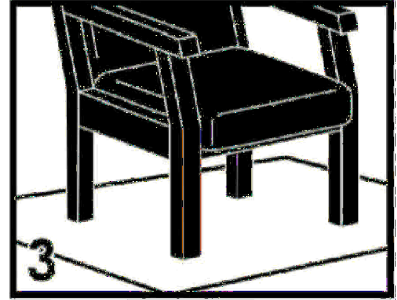
## BASIC ASSEMBLY TECHNIQUES



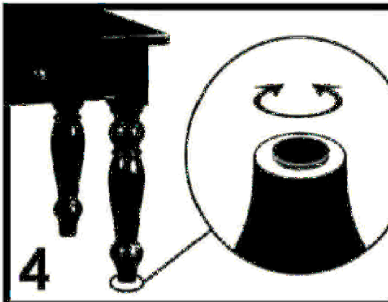
1  
When lock or spring washer is used in an assembly, please make sure the lock or spring washer is placed between the larger flat washer and the head of the screw or bolt.



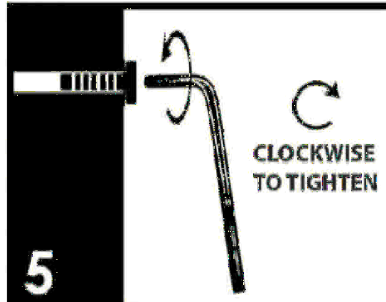
2  
Position each part correctly and insert screws or bolts into their respective holes by hand tighten or using the proper hand tool. Only tighten when step is completed or when instructed to do so.



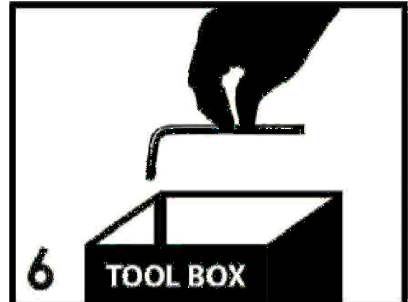
3  
Use cardboard or carpet area when assembling furniture to prevent scratches. Make sure the furniture rests on a flat and level surface with each leg evenly touching the floor.



4  
Some furniture comes with height adjustment knobs underneath each leg. To lower or to raise each leg, you need to turn clockwise or counterclockwise, respectively.



5  
Make sure all parts are properly aligned, then use the appropriate hand tool to completely tighten the bolts or screws. Do not use power tools and do not overtighten.



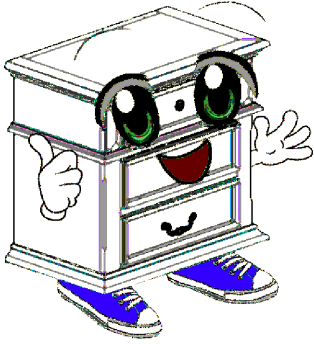
6  
Save the instructions and store the Allen wrench or any supplied tool for later maintenance. After two weeks, check and tighten any loose hardware and repeat again every six months thereafter.

IT IS THE USER'S RESPONSIBILITY TO MAINTAIN THE FURNITURE. THE HARDWARE MAY LOOSEN OVER TIME AND MAY CAUSE THE FURNITURE TO BE WOBBLY AND UNABLE TO SUPPORT ITS INTENDED WEIGHT CAPACITY. THIS MAY LEAD TO COLLAPSE AND MAY CAUSE SERIOUS INJURY.



**FAILURE TO FOLLOW THE GUIDELINES ABOVE MAY RESULT IN INJURY AND/OR PROPERTY DAMAGE.**

ALL RIGHTS RESERVED.

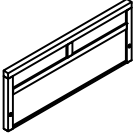
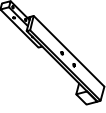
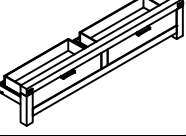
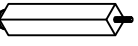

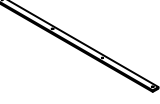

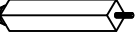


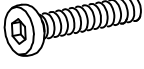


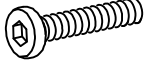




Before you begin, please read Page 2 of "Assembly and Care Advice".

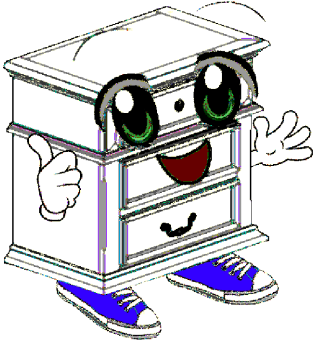
And remember, do not tighten until each step is completed or instructed.

### Parts List

### Hardware List

	#1 x 1pc Headboard
	#2 x 2pcs Headboard Leg(L/R)
	#3 x 1pc Footboard
	#4 x 2pcs Footboard Support Leg 126x35x35mm
	#5 x 2pcs Side Rail
	#6 x 1pc Center Slat
	#7 x 1Set Slat (13pcs)
	#8 x 4pcs Slat Support Leg 351x35x35

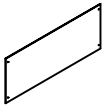
	#A x 6pcs Bolt Ø1/4" x 2"
	#B x 6pcs Lock Washer Ø1/4"
	#C x 6pcs Flat Washer Ø1/4"
	#D x 8pcs Bolt Ø5/16" x 1-3/4"
	#E x 8pcs Lock Washer Ø5/16"
	#F x 8pcs Flat Washer Ø5/16"
	#G x 1pc Allen Wrench M4
	#H x 26pcs Screw #8 x 25mm



Before you begin, please read Page 2 of "Assembly and Care Advice".

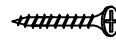
And remember, do not tighten until each step is completed or instructed.

### Parts List

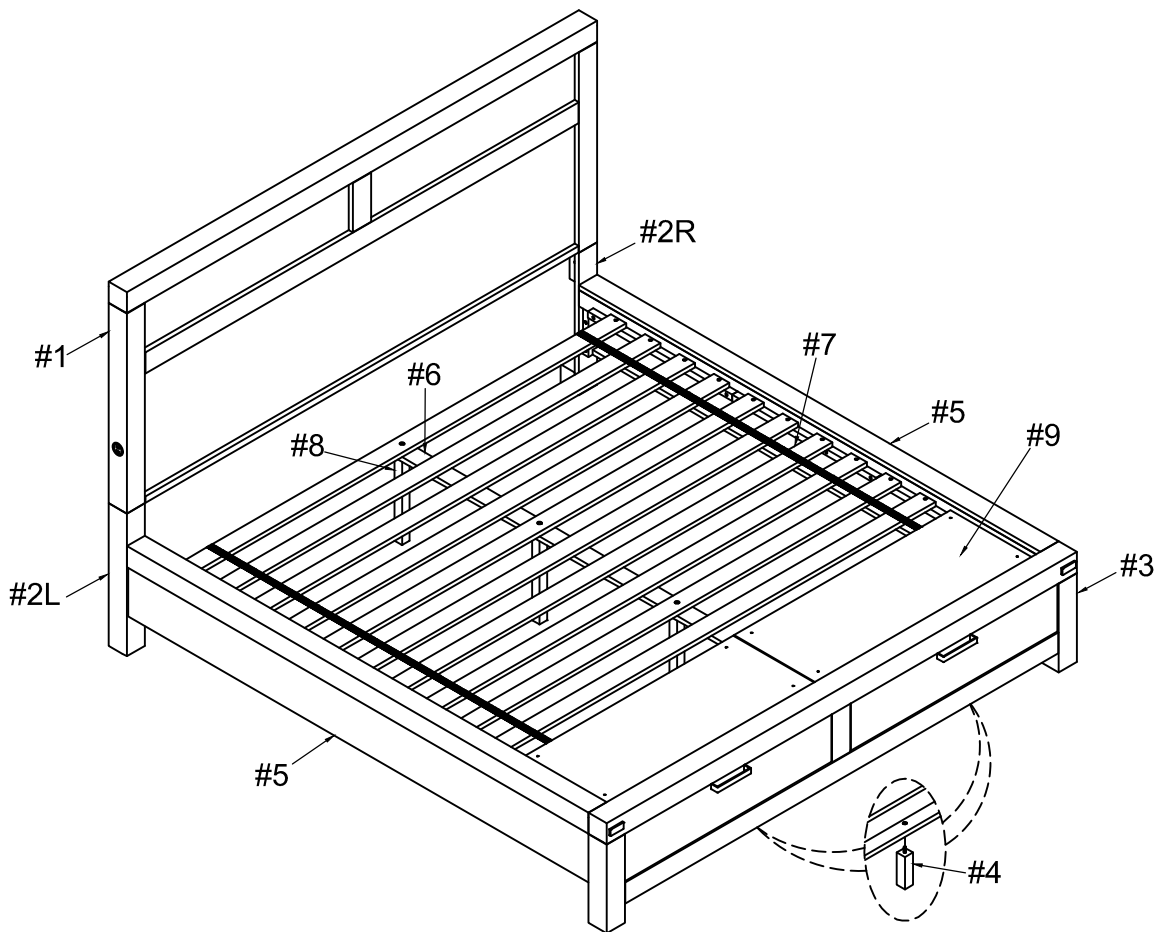


#9 x 2pcs  
Dusty Panel

### Hardware List



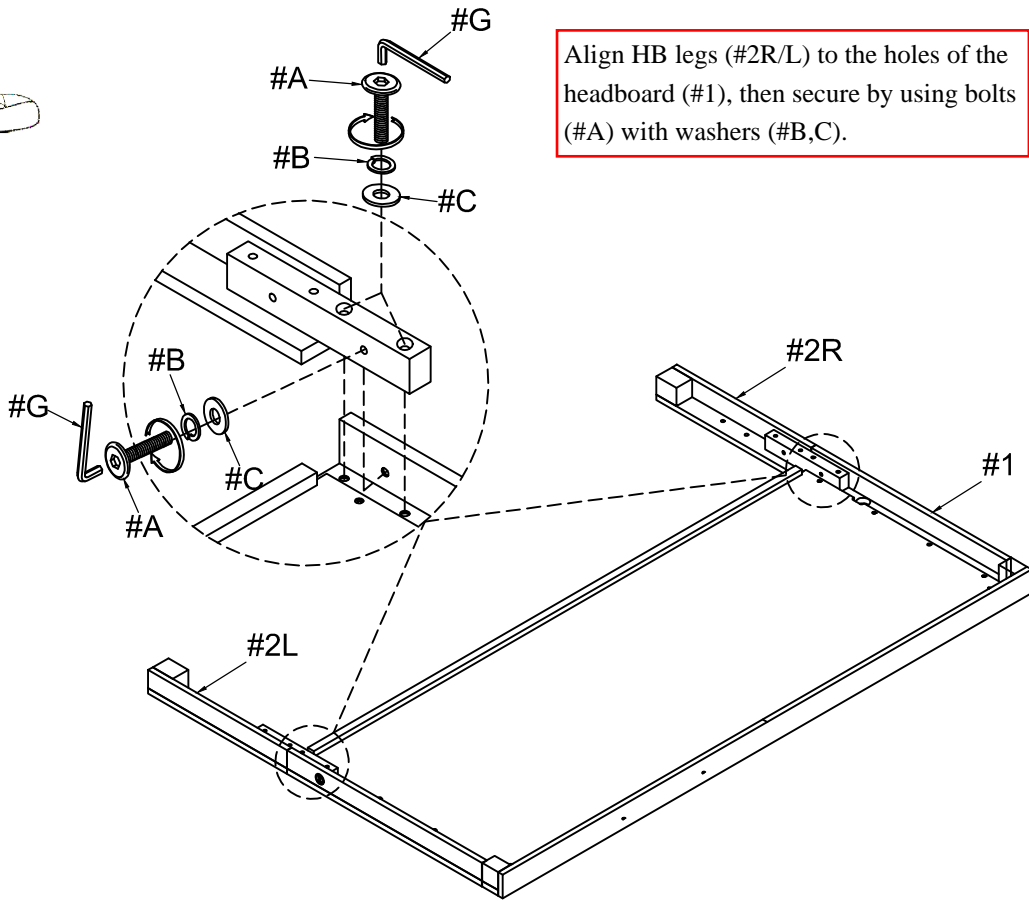
#1 x 8pcs  
Screw #8 x 15mm





#1

#A x 6pcs  
#B x 6pcs  
#C x 6pcs

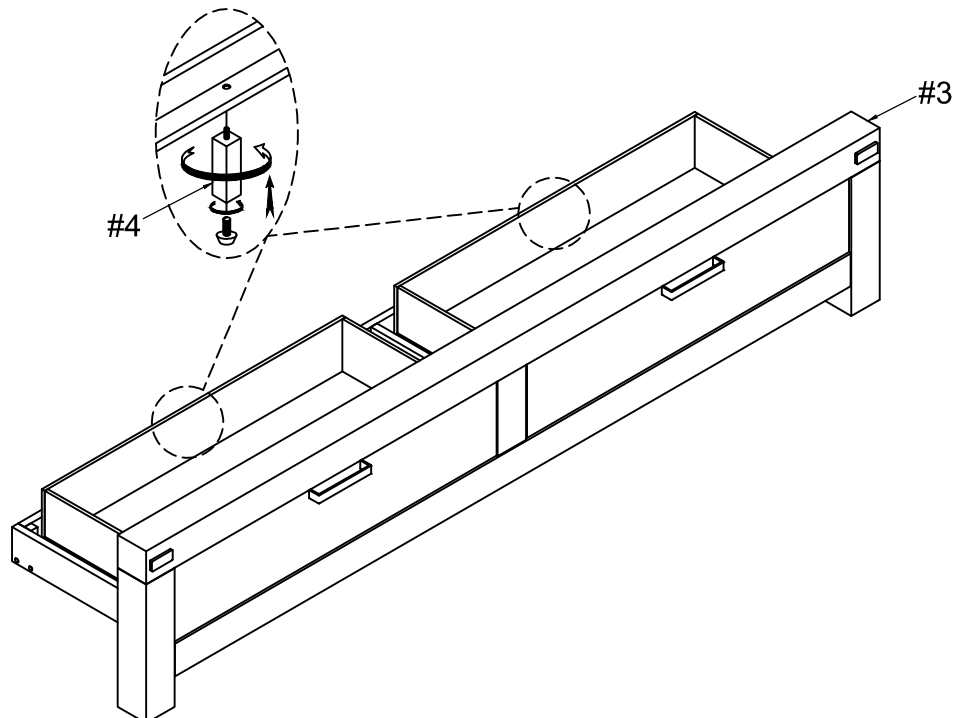


Align HB legs (#2R/L) to the holes of the headboard (#1), then secure by using bolts (#A) with washers (#B,C).



#2

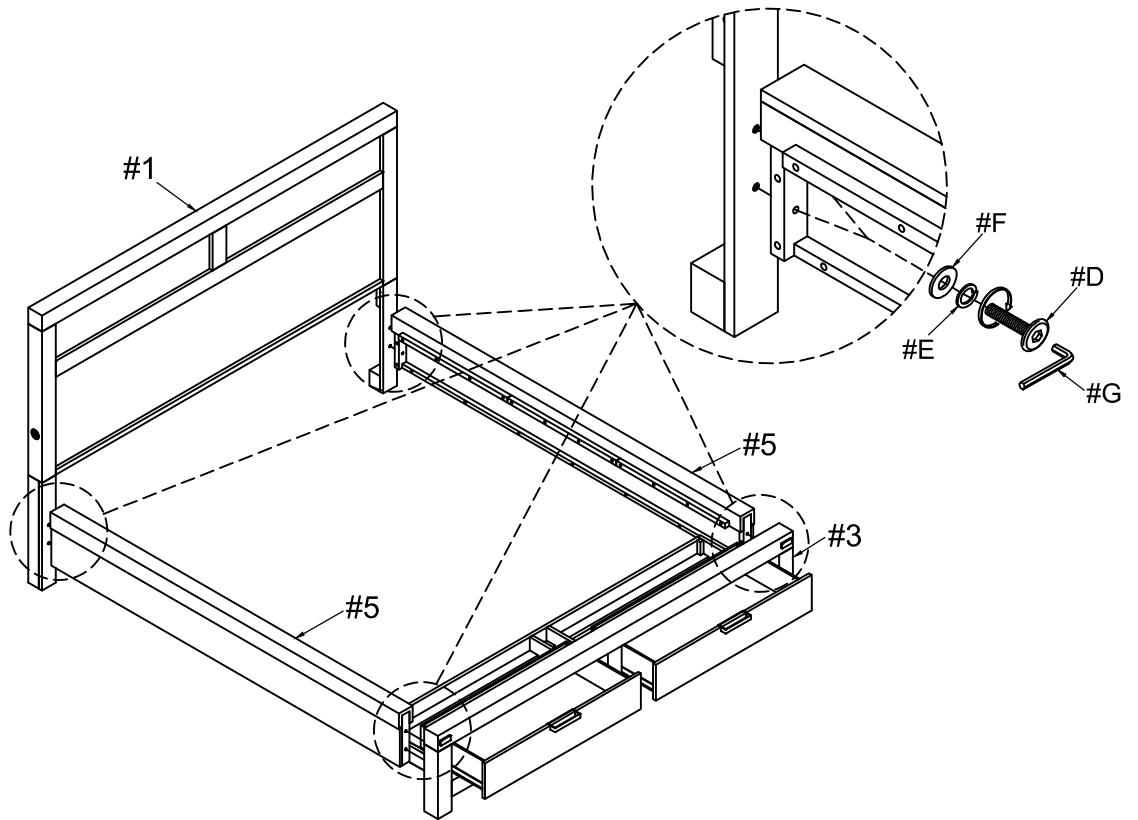
Attach support legs (#4) to the footboard (#3). Adjust the levelers of the support legs (#4) according to ground level.



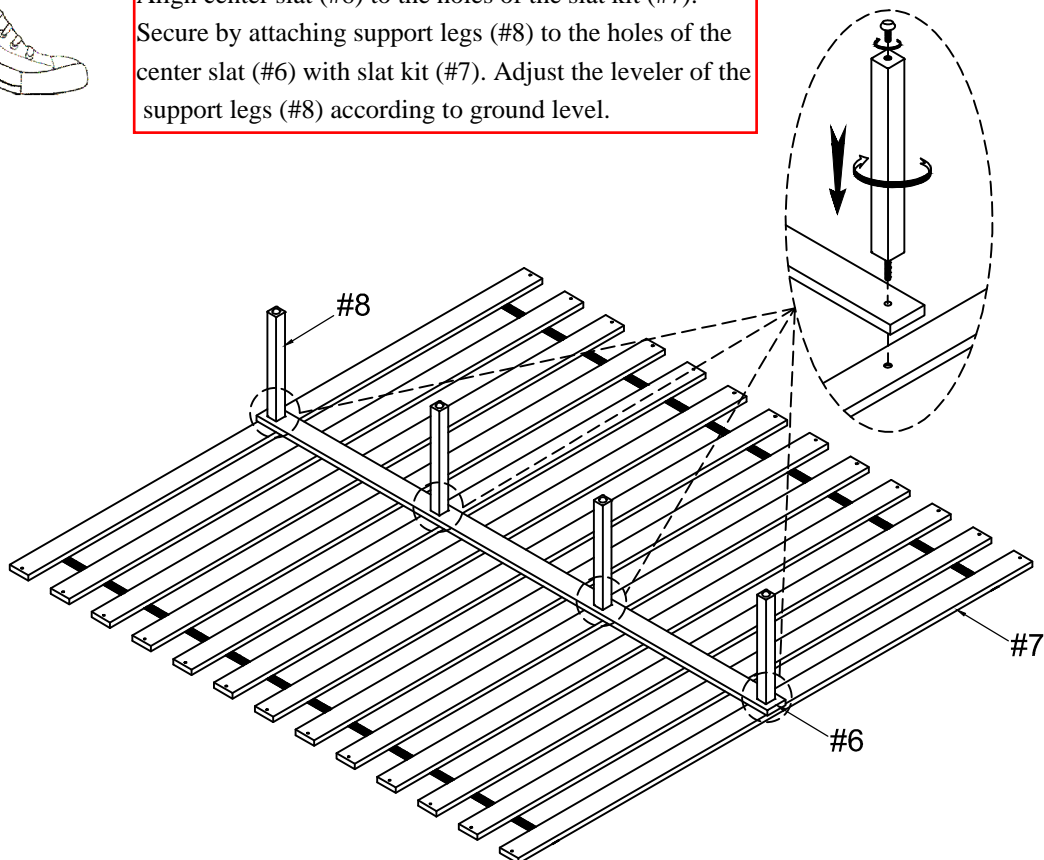


Align side rails (#5) to the holes of the headboard (#1) and footboard (#3), then secure by using bolts (#D) with washers (#E,F).

#D x 8pcs  
#E x 8pcs  
#F x 8pcs



Align center slat (#6) to the holes of the slat kit (#7). Secure by attaching support legs (#8) to the holes of the center slat (#6) with slat kit (#7). Adjust the leveler of the support legs (#8) according to ground level.

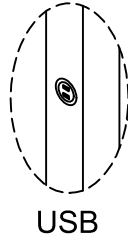




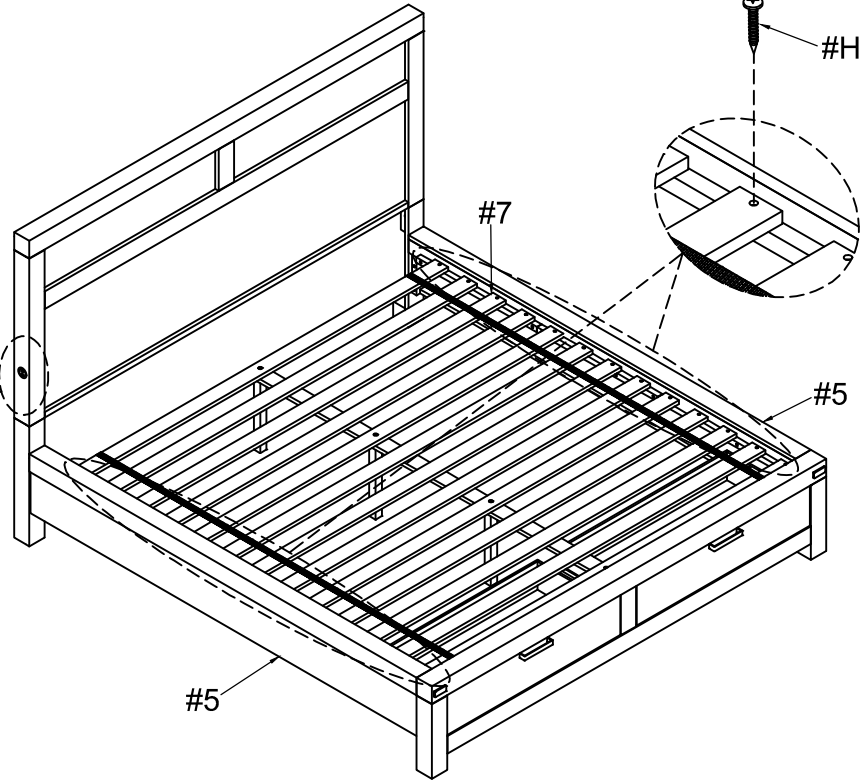
#5

Align slats to the side rails, then secure by using screws (#H).

#H x 26pcs



USB



#6

Align dusty panels (#9) to the bed slats, then secure by using screws (#I).

# I x 8pcs

