



LIGHT SOURCE DATA

- 60W Max B22 BC or E27 ES (required)
- Lamp direction - Indirect
- Lamp shape - Standard
- Dimmable
- Energy range: A++, A+, A, B, C, D, E

DIMENSION DATA

- Height 185mm
- Diameter 200mm

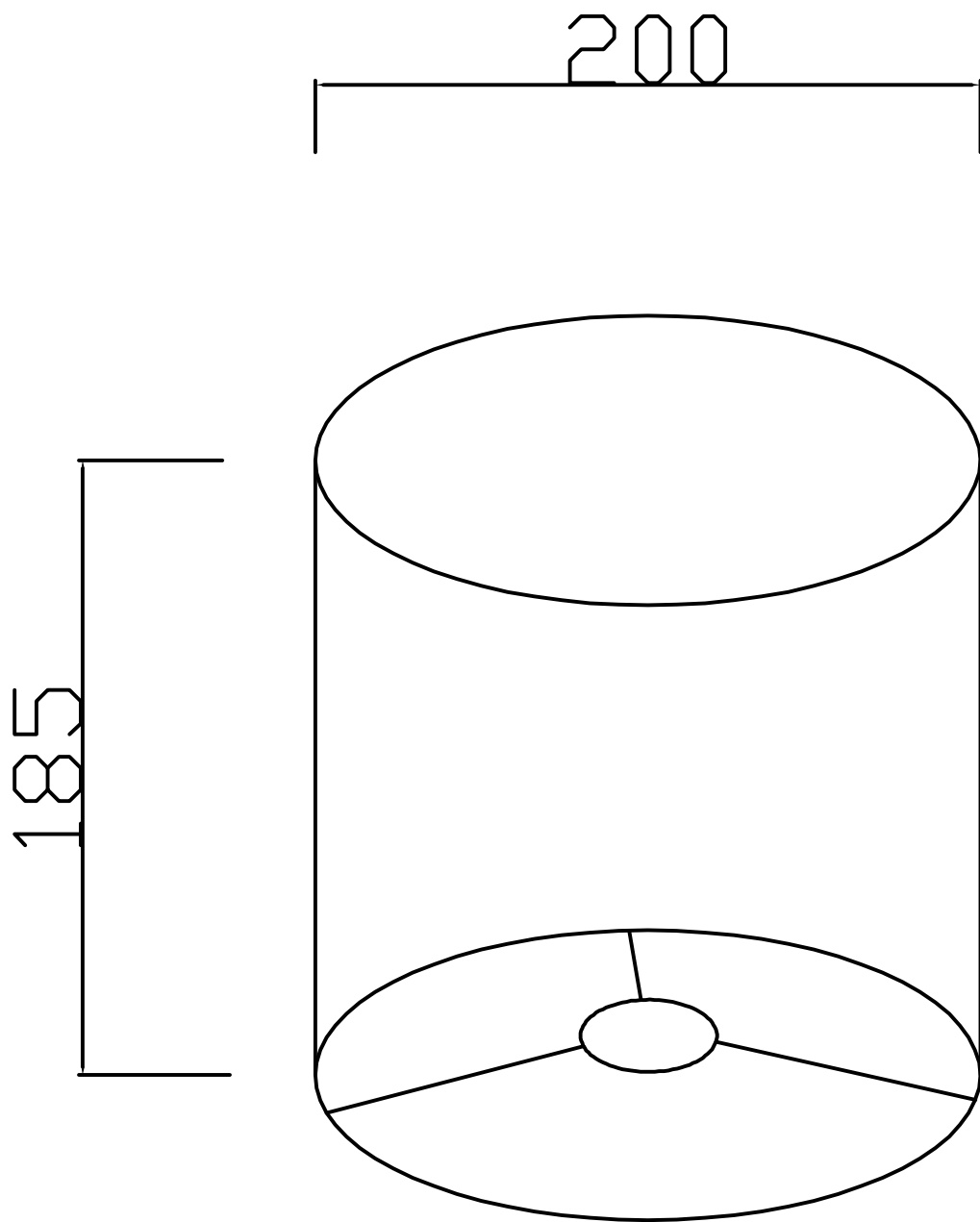
- Weight .29kg

SPECIFICATION

- Manufacturer warranty for 2 years from date of purchase
- Blue manhattan skyline digital print
- IP20
- 240V
- Assembly required? No
- CE Marking, Energy Efficient, Energy Saving

CERTIFICATION





CERTIFICATION

