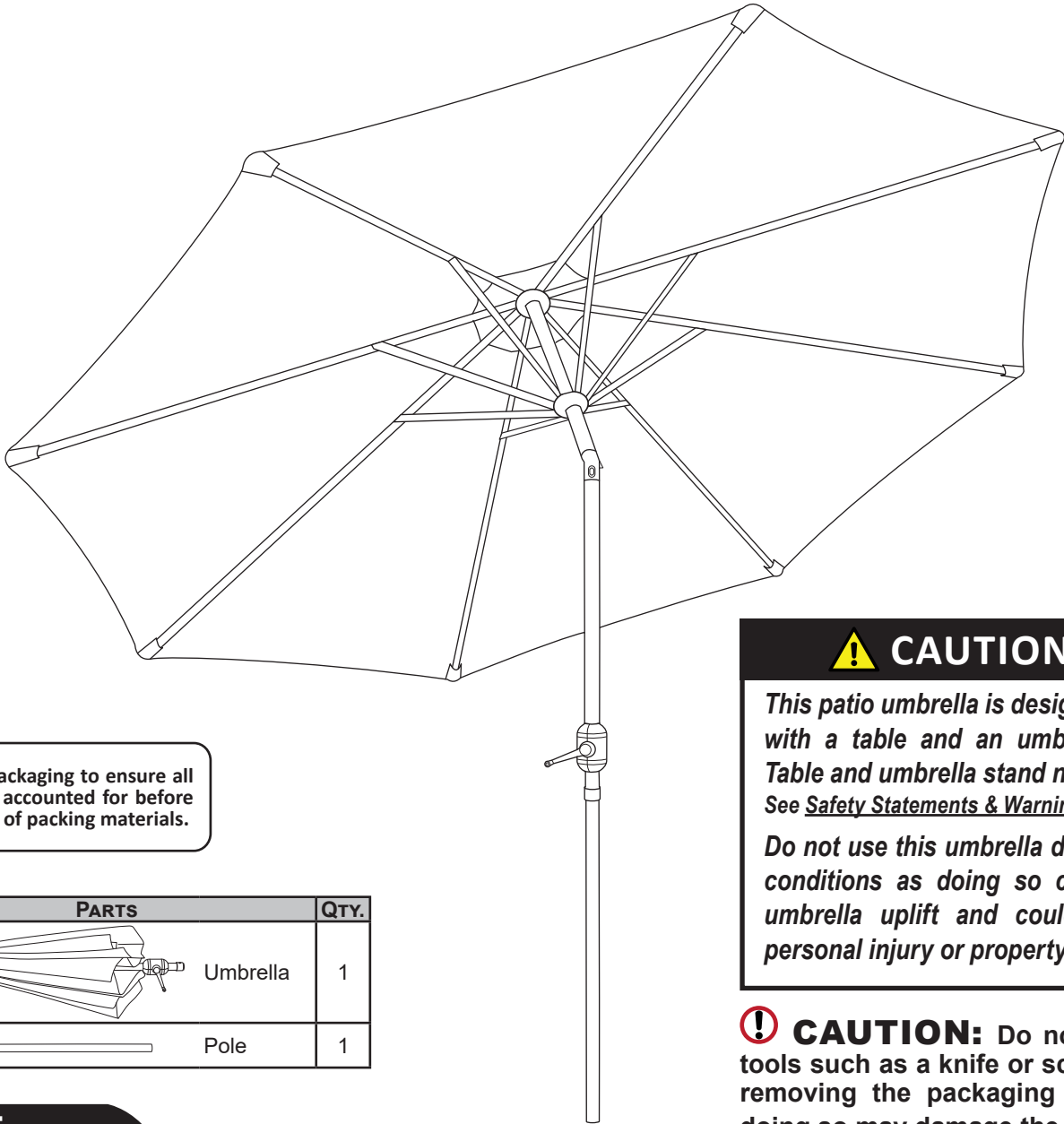




PATIO UMBRELLA

Review all assembly and care information before using this product. Save this manual for future reference.
Assemble components on a soft, clean surface to avoid damaging the finish.



Inspect packaging to ensure all parts are accounted for before disposing of packing materials.

No.	PARTS	QTY.
A	 Umbrella	1
B	 Pole	1

⚠ CAUTION ⚠

This patio umbrella is designed for use with a table and an umbrella stand. Table and umbrella stand not included. See [Safety Statements & Warnings](#) on page 3.

Do not use this umbrella during windy conditions as doing so could cause umbrella uplift and could result in personal injury or property damage.

⚠ CAUTION: Do not use sharp tools such as a knife or scissors when removing the packaging material, as doing so may damage the product.

NOTICE

- Always use this umbrella with a table and an umbrella stand.
- Close and store the umbrella during inclement weather such as strong wind, thunderstorms, heavy rain or snow.
- Failure to follow recommended use and care may void the product warranty.

If you experience issues with the product or it was damaged during shipping, please contact our customer service team through one of the methods mentioned at the top of page 1. Please have the item number and order information ready to expedite response time.

⚠ WARNING: Manufacturer and seller expressly disclaim any and all liability from personal injury, property damage or loss, whether direct or indirect, or incidental, resulting from the incorrect attachment, improper use, inadequate maintenance, or neglect of this product.

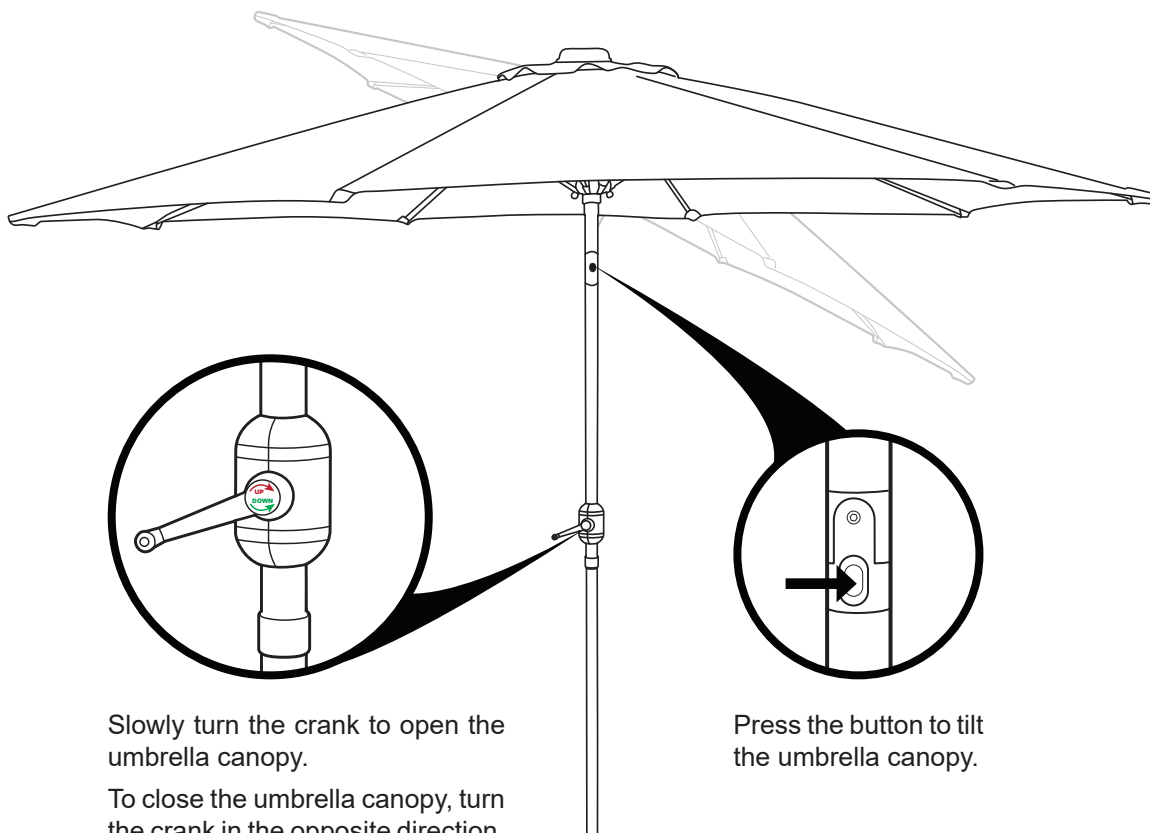
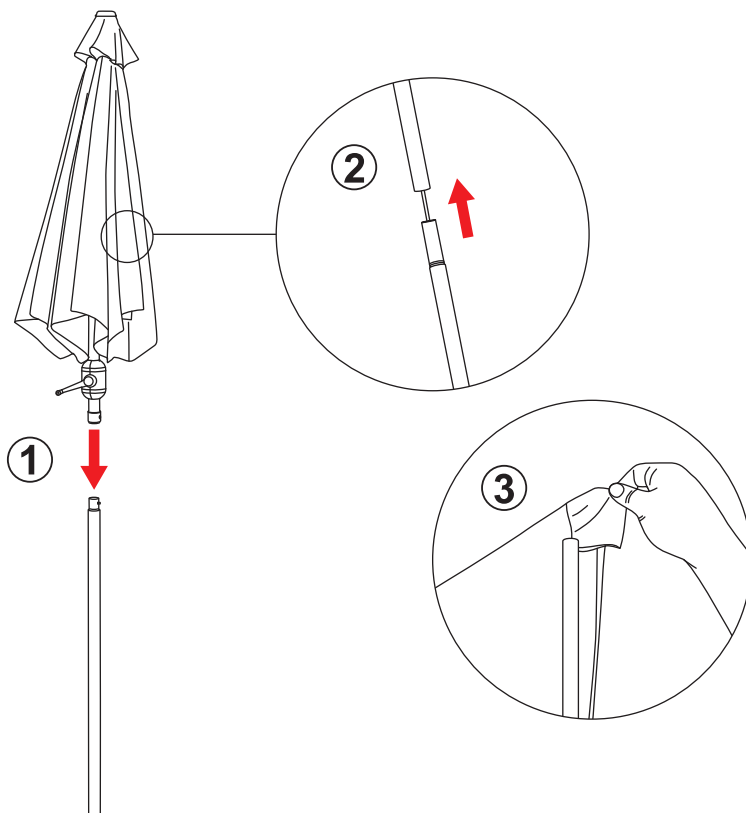
ASSEMBLY

STEP 1: Attach Umbrella (A) to Pole (B) by pushing the button spring clip on the pole and aligning the button with the hole on the umbrella.

You will hear a 'snap' when the pieces are connected.

STEP 2: Join each rib section by inserting the end of one piece into the other until it is fully connected.

STEP 3: Pull the fabric pocket at the end of the canopy over the tip of each rib to secure the fabric in place.



Slowly turn the crank to open the umbrella canopy.

To close the umbrella canopy, turn the crank in the opposite direction.

Press the button to tilt the umbrella canopy.

USE & CARE

OPENING & CLOSING

When opening, make sure the umbrella opens freely. If there is resistance while opening, **DO NOT FORCE THE UMBRELLA OPEN** as doing so may damage the umbrella. Check to see if the umbrella ribs are locked together; gently pull the ribs apart to assist the opening process.

When closed, pull the loose canopy fabric from between each rib to prevent it from getting jammed or trapped between the ribs and umbrella structure. Trapped fabric may result in unnecessary wear and holes in the fabric. Secure the fabric with the attached strap.

SUN EXPOSURE & STORAGE

All fabrics will eventually fade from sun exposure. Maintain the fabric color by covering it with an umbrella cover or storing it indoors when not in use. Always store indoors during the winter, extreme weather conditions and when it will not be used for an extended period of time.

CLEANING **HAND-WASH ONLY**

Do not remove the canopy from the frame. Never use bleach, detergents, harsh chemicals or abrasive materials to clean the canopy or the frame.

Brush or vacuum loose dirt from the umbrella canopy. Wiping down the canopy and frame with a soft damp cloth and warm water is usually sufficient.

For stubborn stains, clean with a soft-bristle brush, mild soap and warm water. Rinse thoroughly with a hose sprayer, ensuring all soap residue is removed; leaving residue will attract dust/dirt.

Thoroughly dry the frame with a soft cloth to prevent water spotting and rust. Open the umbrella canopy and allow it thoroughly to air-dry. Closing the canopy before it is completely dry will promote mold and mildew growth and could stretch the fabric.

DO NOT USE BLEACH

SAFETY STATEMENTS & WARNINGS

- Do not use the umbrella without a table and umbrella base.
- Do not use the umbrella in inclement weather such as strong wind, thunderstorms, heavy rain or snow.
- Never use the umbrella during windy conditions.
- Always close the umbrella canopy and secure the strap around the canopy when the umbrella is not in use.
- Store the umbrella indoors during winter and extreme weather conditions.
- Do not iron the umbrella canopy.
- Do not allow children to assemble or operate the umbrella.
- The umbrella pole should never be left in standing water.



Any modification to the product or failure to follow recommended care will void the product warranty.