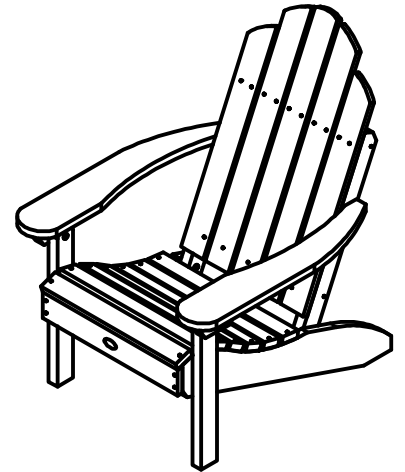


Adirondack Collection

Adirondack Chair

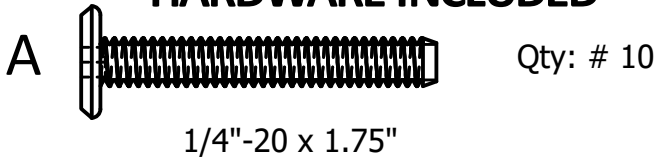
Assembly Guide



IMPORTANT!

DO NOT fully tighten the bolts until all bolts are started. Once all bolts are inserted, go back & tighten all the bolts.

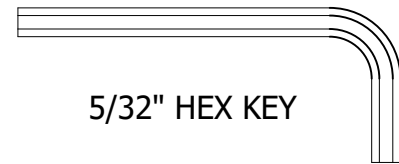
HARDWARE INCLUDED



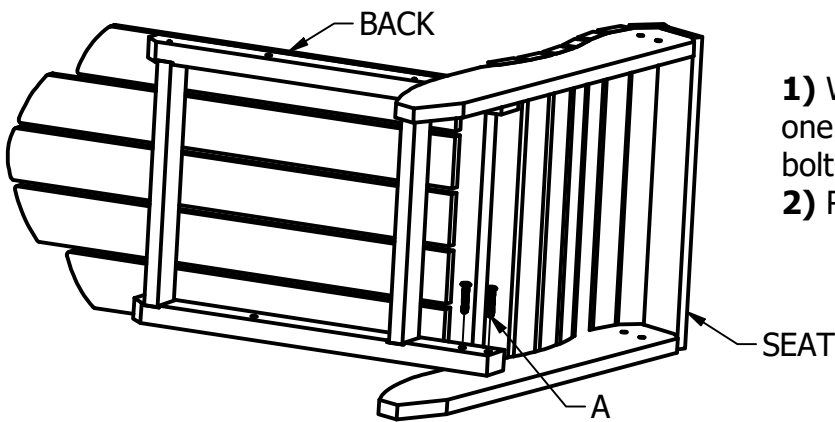
1/4"-20 x 1.75"

Qty: # 10

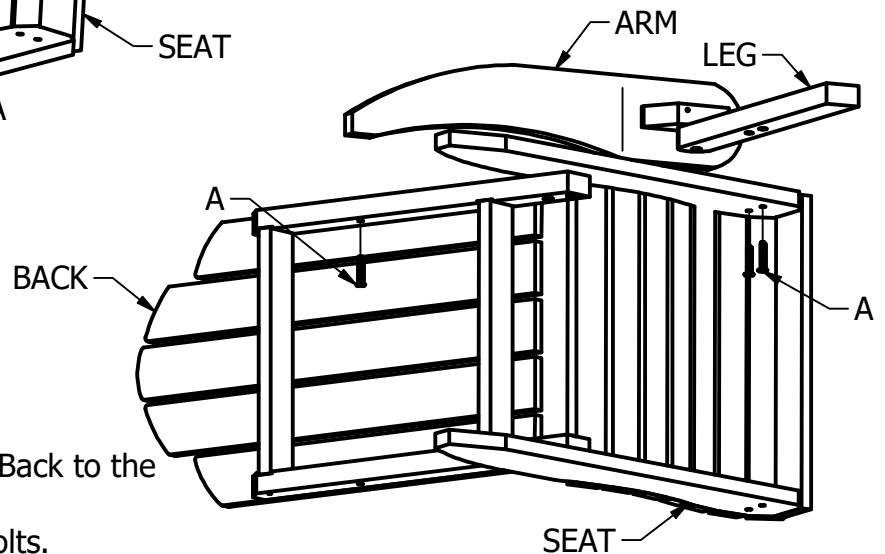
TOOLS INCLUDED



5/32" HEX KEY



- 1) With the Back and Seat on their sides, attach one side of the Back to the Seat using two A bolts.
- 2) Repeat on other side.



- 3) With the chair still on its side, attach the Back to the Arm using one A bolt.
- 4) Attach the Seat to the Leg using two A bolts.
- 5) Flip chair onto its other side and repeat steps 3 & 4.