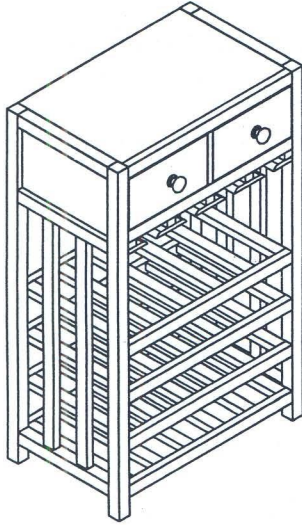


ASSEMBLY INSTRUCTIONS

Wine Tower

PAGE 1/6











Thank you for purchasing our product!

Please assemble the products with the guidance of this manual instruction. Contact our friendly customer service department with any comments or in case there is any missing or damaged parts or hardware. Replacements for missing or damaged parts or hardware are normally shipped within 2 to 3 days.







We appreciate your business!



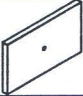
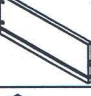


HARDWARE LIST:

ITEM	FIGURE	DESCRIPTION	QTY
A		Camlock Bolt Ø6*35mm	32PCS
B		Camlock Ø15*12mm	32PCS
C		Wooden Dowel Ø8*30mm	8PCS
D		Handle	2PCS

ITEM	FIGURE	DESCRIPTION	QTY
E		Handle Bolt Ø5/32**25mm	2PCS
F		Screw Ø3.5*25mm	16PCS
G		Screw Ø3*12mm	2PCS
H		Drawer Stopper Ø8*30mm	2PCS

PAST LIST:

ITEM	FIGURE	DESCRIPTION	QTY
1		Bottom Panel	1PC
2		Top Panel	1PC
3		Right Side Panel	1PC
4		Left Side Panel	1PC
5		Center Panel	1PC
6		Back Panel	1PCS

ITEM	FIGURE	DESCRIPTION	QTY
7		Shelf Panel	4PCS
8		Drawer Left Side Panel	2PCS
9		Drawer Front Panel	2PCS
10		Drawer Right Side Panel	2PCS
11		Drawer Bottom Panel	2PCS
12		Drawer Back Panel	2PCS

MADE IN CHINA

ASSEMBLY INSTRUCTIONS

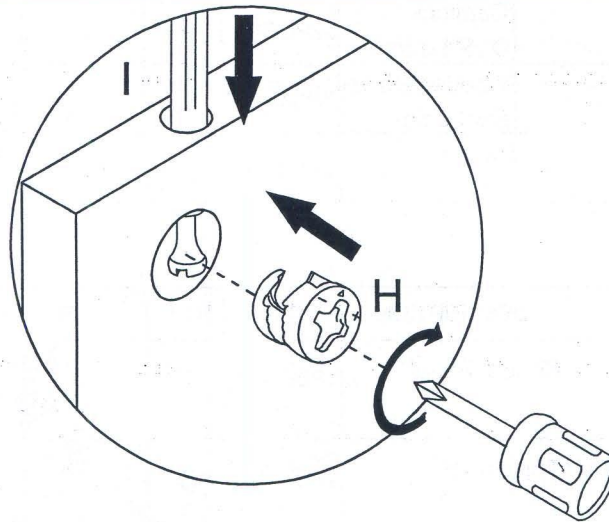
Wine Tower

PAGE 2/6

- * Before discarding packing material, please check all parts and hardware are present
- * Tools recommended for assembly-allen wrench (included), rubber mallet & screw driver (not included)
- * It's required at least two persons to assemble this product
- * Don't tighten screws or bolts unless instructed
- * After few days of initial assembly, the product may have acclimated to new environment, please tighten all hardware again

* Camlock system installation procedure

Adjust the arrow on the lock pointing to the bolt hole, let the opening of the lock accept the bolt's head; use screw driver tighten the lock clockwise, or anticlockwise way to loosen the cam lock.



MADE IN CHINA

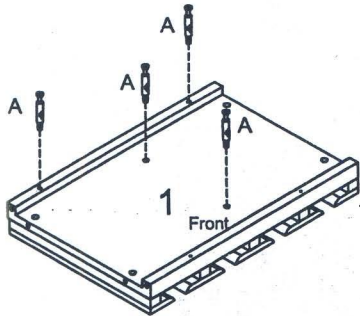
ASSEMBLY INSTRUCTIONS

Wine Tower

PAGE 3/6

STEP 1

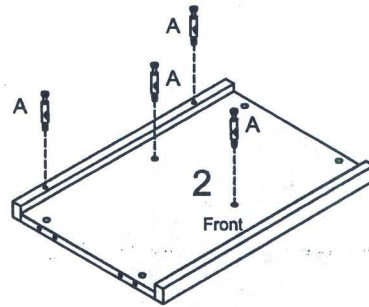
Attach the Camlock Bolt (A) to the Bottom Panel (1) as shown.



 x 4

STEP 2

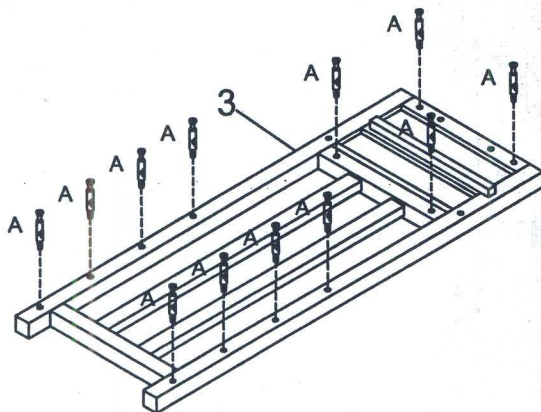
Attach the Camlock Bolt (A) to the Top Panel (2) as shown.



 x 4

STEP 3

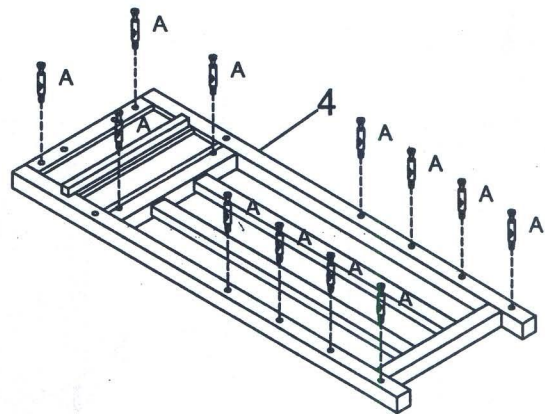
Attach the Camlock Bolt (A) to the Right Side Panel (3) as shown.



 x 12

STEP 4

Attach the Camlock Bolt (A) to the Left Side Panel (4) as shown.



 x 12

MADE IN CHINA

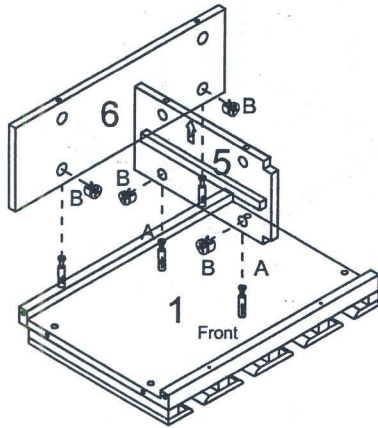
ASSEMBLY INSTRUCTIONS

Wine Tower

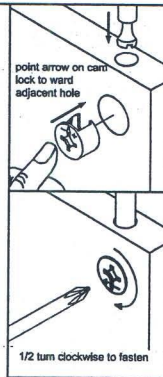
PAGE 4/6

STEP 5

Attach the Center Panel (5) and Back Panel (6) to assembled unit from STEP 1 by using Camlock (B) and Camlock Bolt (A) as shown.

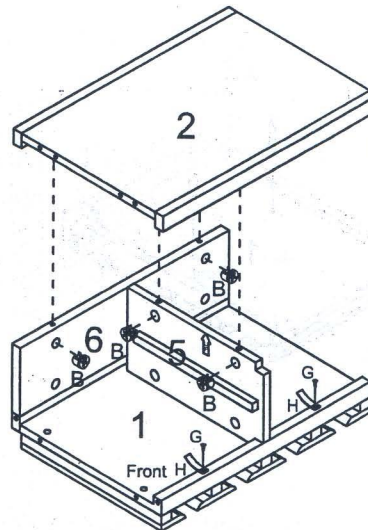





 x 4

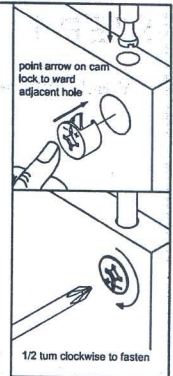


STEP 6

Attach the Drawer Stopper (H) TO THE Bottom Panel (1) by using Screw(G) as shown. Attach the unit from STEP 1 to the unit from STEP 5 as shown.

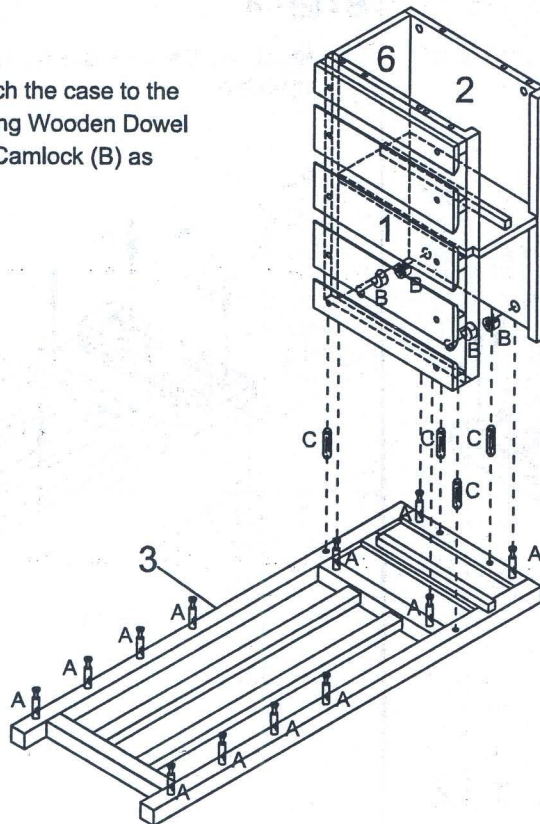


 x 2
 x 2
 x 4

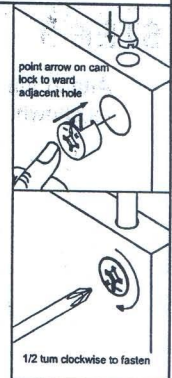


STEP 7

Turn the case upright, attach the case to the Right Side Panel (3) by using Wooden Dowel (C), Camlock Bolt (A) and Camlock (B) as shown.



 x 4
 x 4



MADE IN CHINA

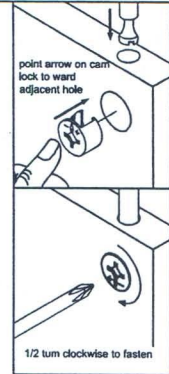
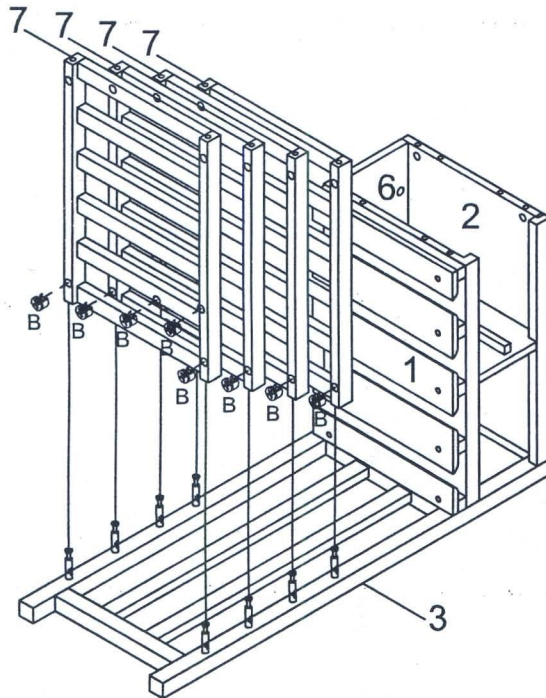
ASSEMBLY INSTRUCTIONS

Wine Tower

PAGE 5/6

STEP 8

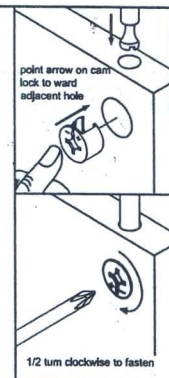
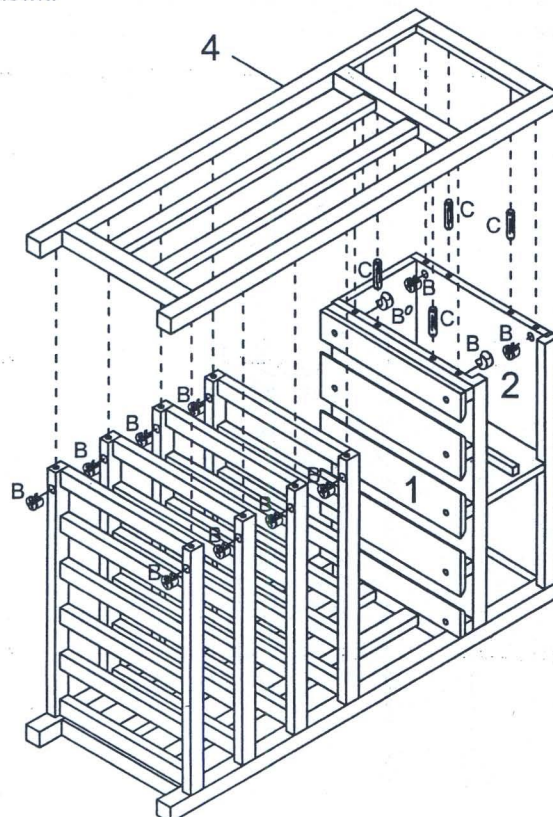
Attach the Shelf Panel (7) to assembled unit by using Camlock Bolt (A) and Camlock (B) as shown.



 x 8

STEP 9

Attach the unit from STEP 2 to the unit from STEP 8 by using Camlock (B) and Wooden Dowel (C) as shown.



 x 4

 x 12

MADE IN CHINA

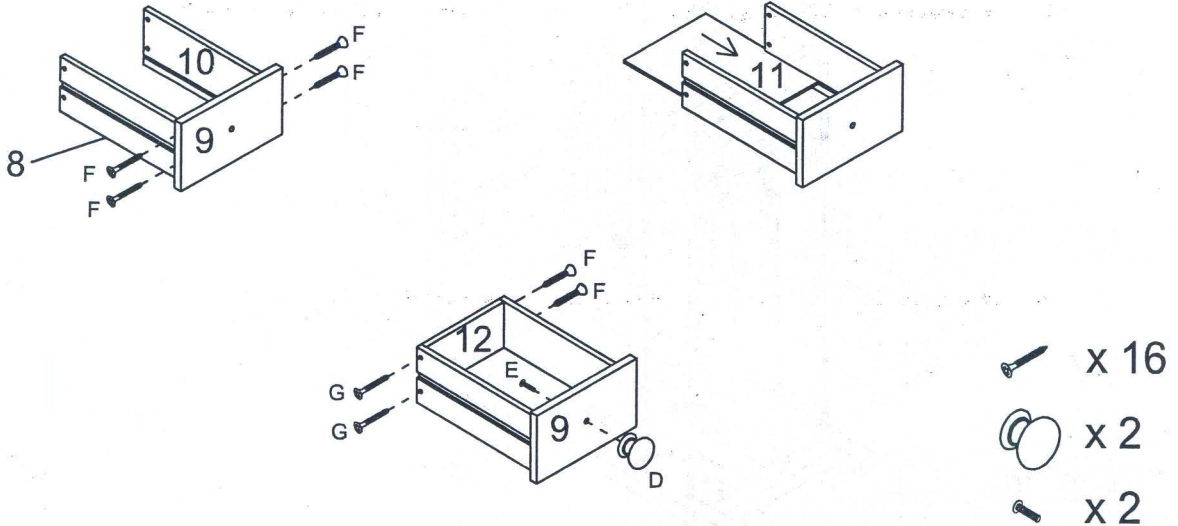
ASSEMBLY INSTRUCTIONS

Wine Tower

PAGE 6/6

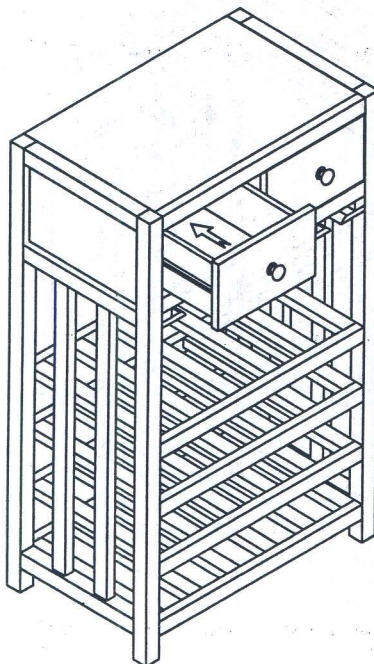
STEP 10

Attach the Drawer Side Panel (8&9) to the Drawer Front Panel(9) by using Screw(F) as shown.
Insert the Drawer Bottom Panel(11) to assembled unit as shown.
Attach the Drawer Back Panel (12) to assembled unit by using Screw (F), then assemble the Plug (P) to the Drawer Front Panel (9) by using Screw (E) as shown.



STEP 11

Insert the Drawers into the place as shown.



MADE IN CHINA