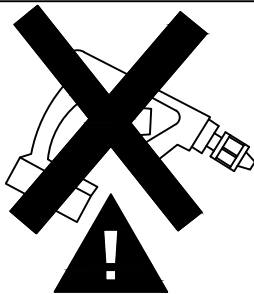
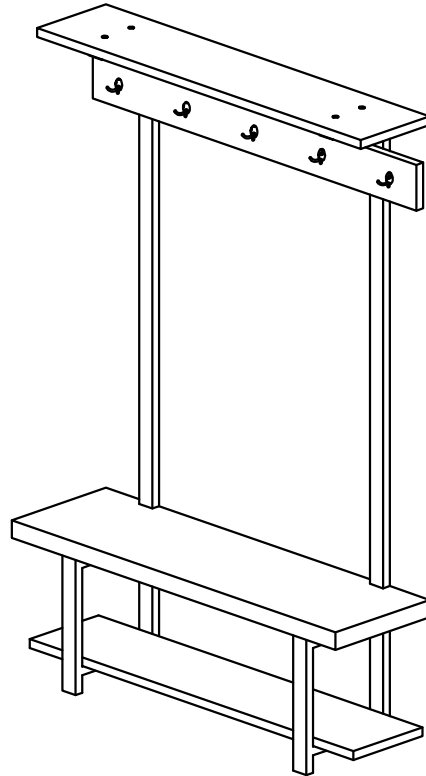
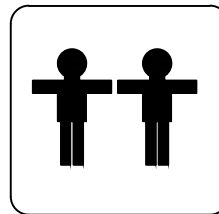


ASSEMBLY INSTRUCTION

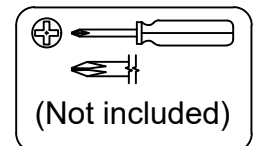
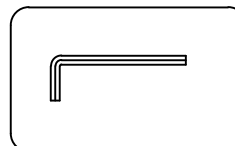
TREE WITH BENCH



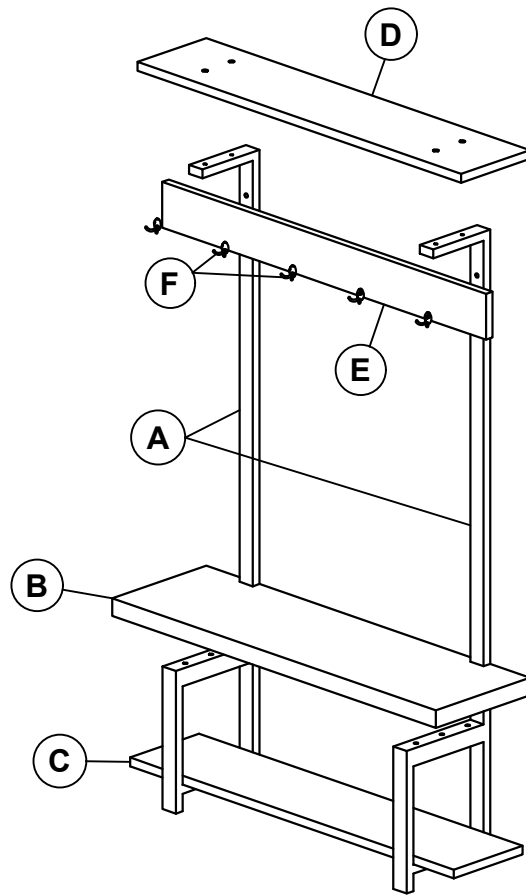
. Use of power tool to assemble this product will invalidate any claim and damage this product making it unsafe !!!
. Please assemble on a clean soft surface to avoid damage.




Tools Required





Tree with Bench



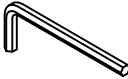
Identifying the hardware-Identify the hardware using the illustrations below


F  **05**

G  **06**
M6x70MM BOLT

H  **12**
M6x40MM BOLT


I  **10**
3x15 SCREW

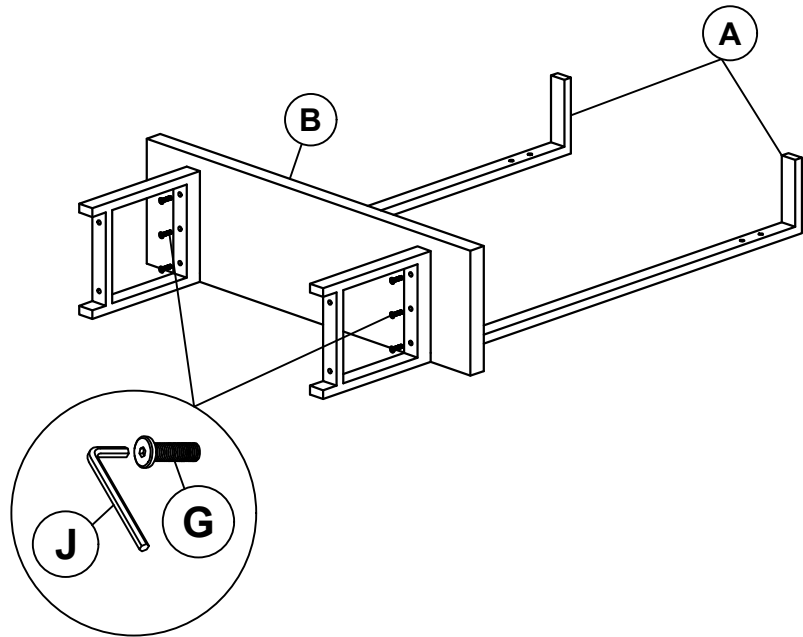
J  **01**

K  **01**
ANTI-TIP

Step 01

G  **06**
M6x70MM BOLT

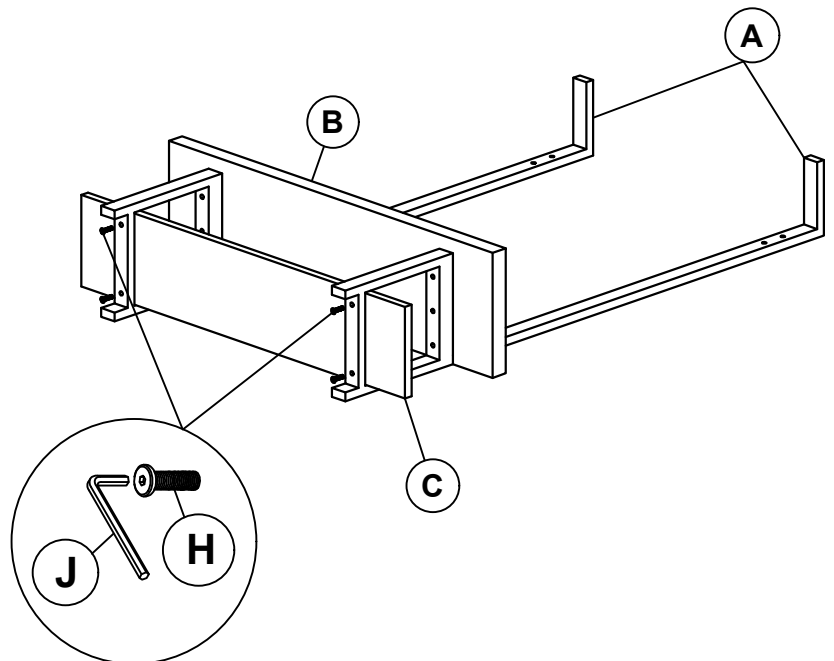
J  **01**




Step 02

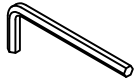
H  **04**
M6x40MM BOLT

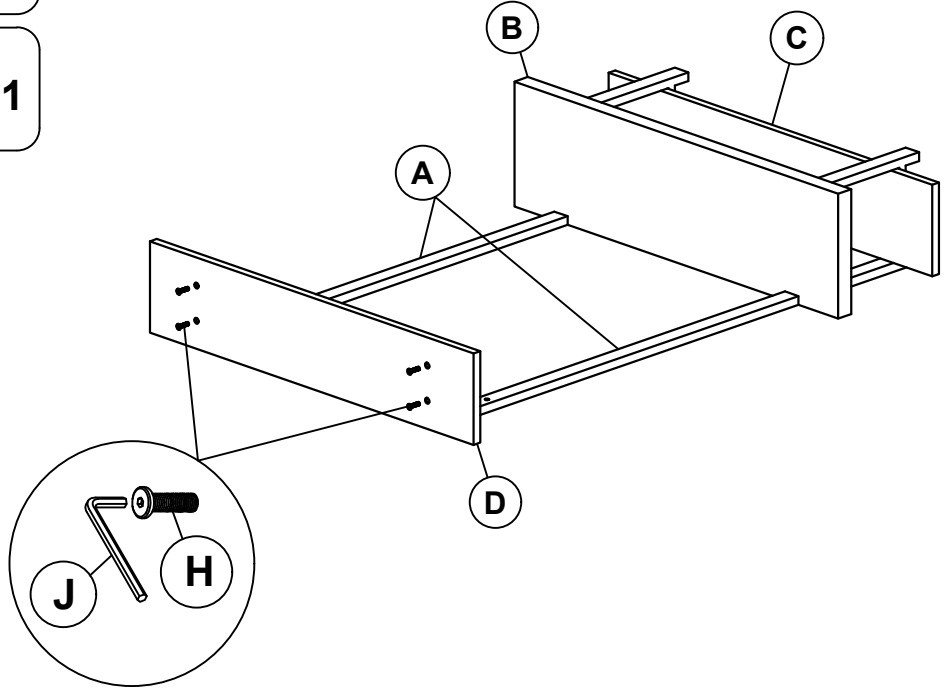
J  **01**



Step 03

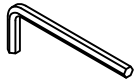
H  **04**
M6x45MM BOLT

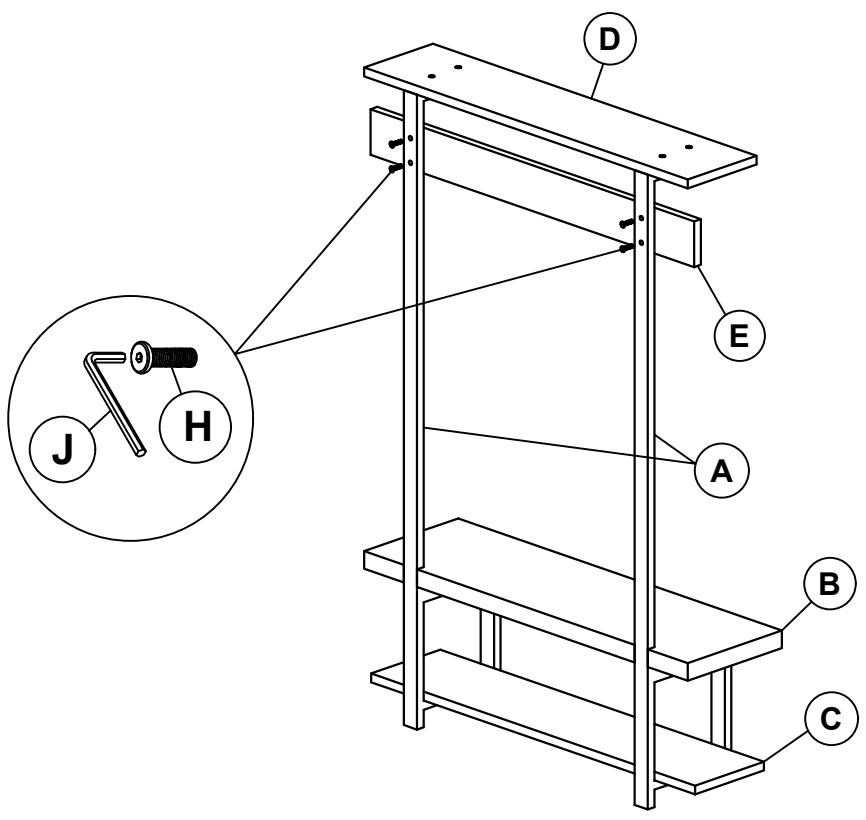
J  **01**



Step 04

H  **04**
M6x45MM BOLT

J  **01**



Step 05

F



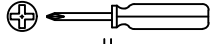
05

I



3x15 SCREW

10



(Not included)

