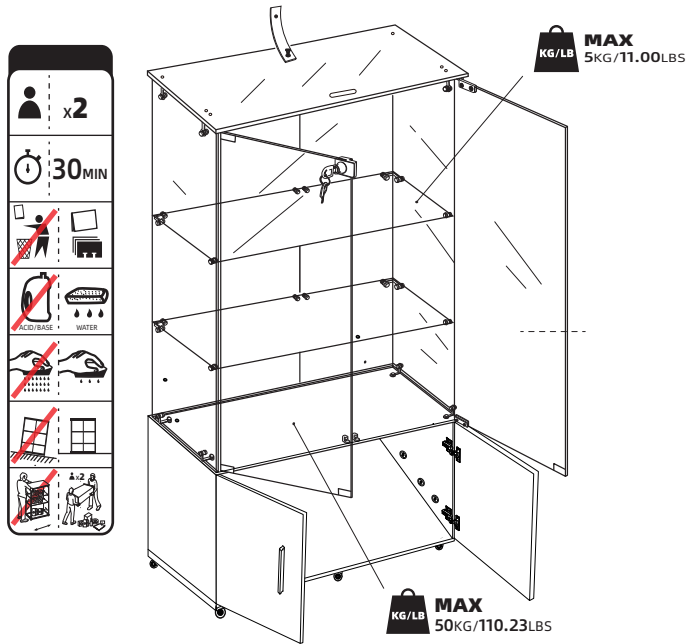


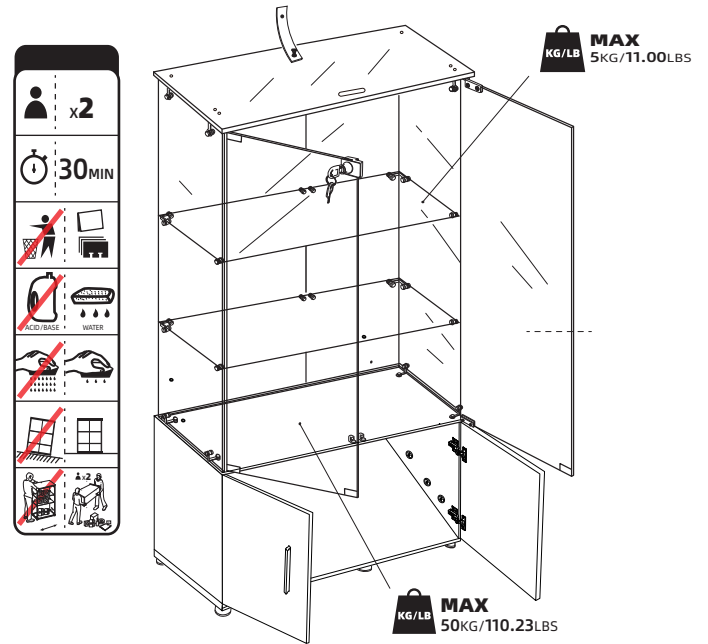
DOUBLE DOOR

Four-layer tempered glass cabinet

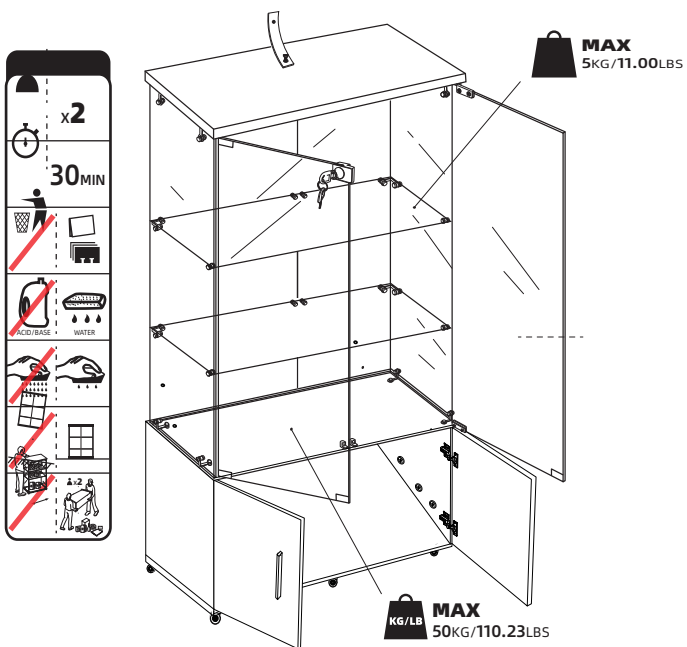
Base cabinet style



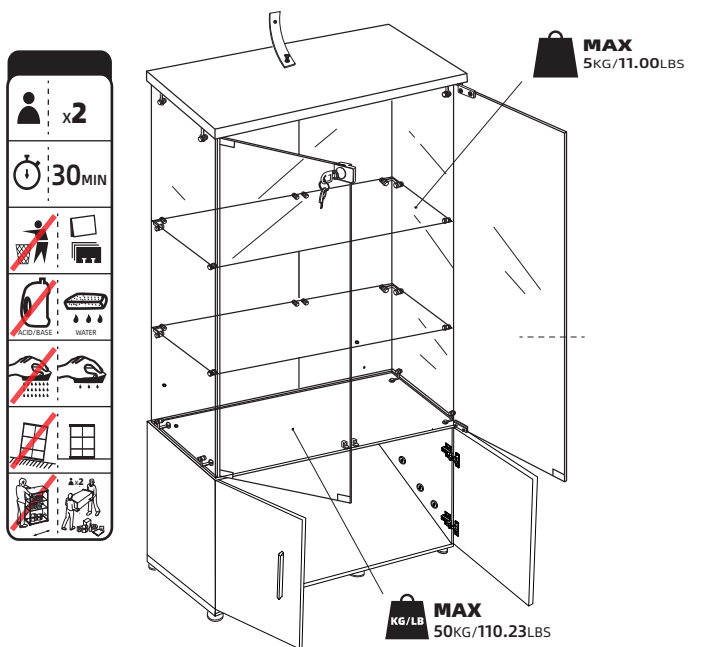
Glass top with lockable swivel casters



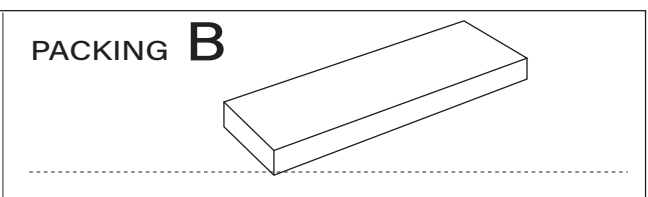
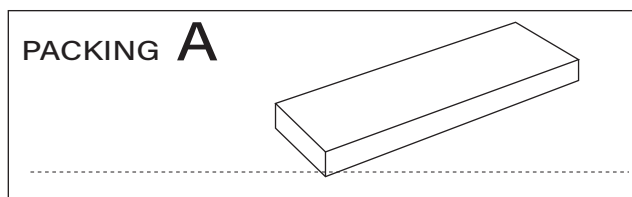
Glass top with adjustable feet



Wooden top with lockable swivel casters



Wooden top with adjustable feet



Assembly Instructions

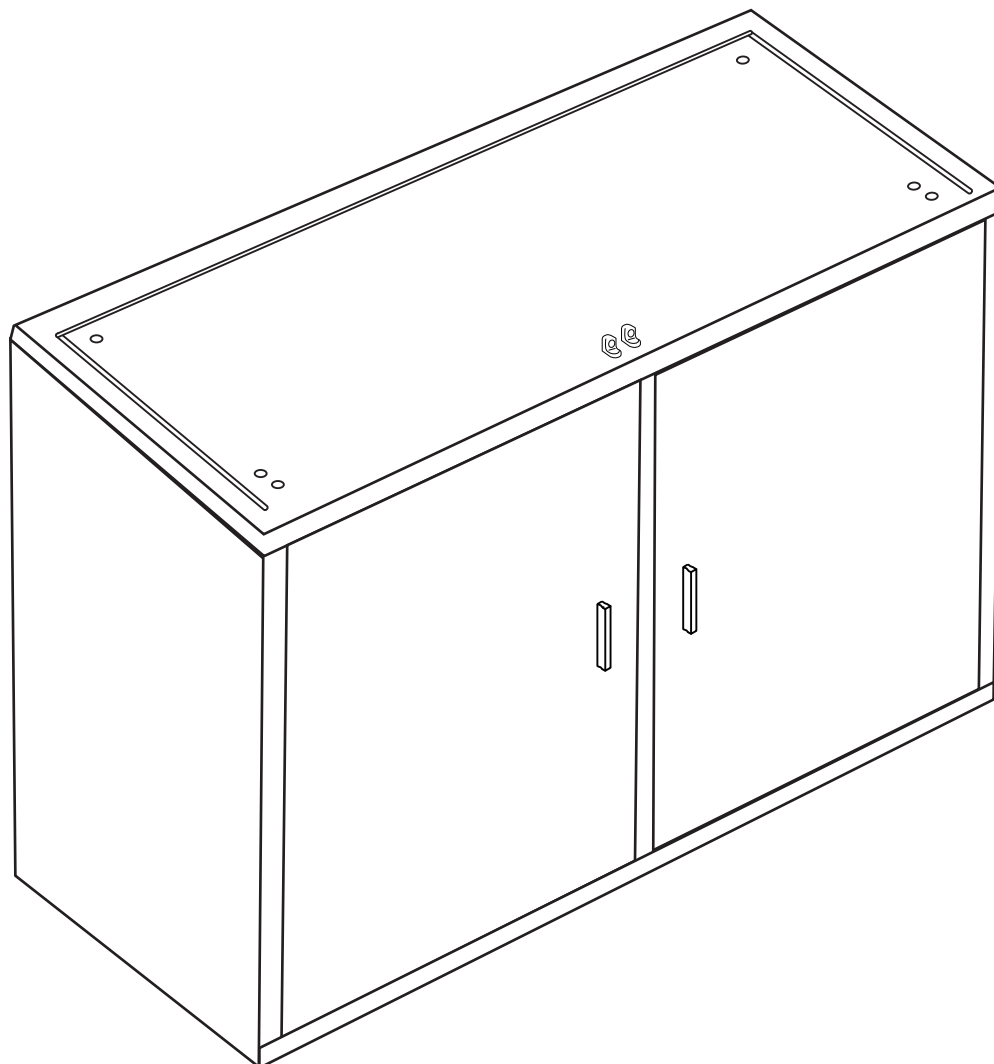
Thank you for your purchase.

Please follow the instructions below for correct the assembly

For higher efficiency, we recommend to use a power drill; the power drill should be set on the low speed to avoid screw stripping. CAUTION

This package contains small parts and hardwares; keep it from children to avoid accidental swallowing.

Please remove the protective plastic film after the whole assembly process finished, then the surface will be high glossy, thank you for your choice.



ENGLISH

GOOD TO KNOW ABOUT TEMPERED GLASS

IMPORTANT :

HANDLE WITH CARE! A DAMAGED EDGE OR SCRATCHED SURFACE CAN IN EXCEPTIONAL CASES CAUSE THE GLASS TO CRACK SUDDENLY. HOWEVER, NEVER INTO SHARP FRAGMENTS, ONLY INTO SMALL PIECES. AVOID COLLISIONS FROM THE SIDE – THIS IS THE MOST FRAGILE PART OF THE GLASS.

WARNING

FURNITURE TIPPING-OVER COULD RESULT IN INJURY OR DEATH TO THE INSTALLER.

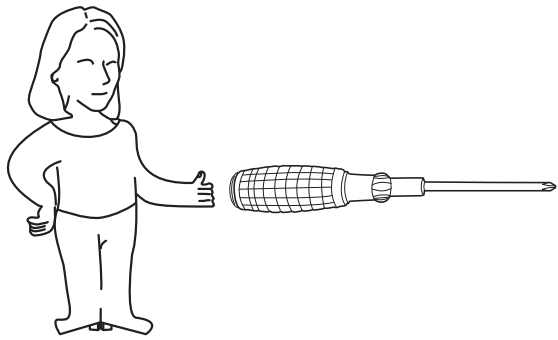
ALWAYS SECURE THIS PRODUCT PERMANENTLY TO THE WALL.



The only wall mount included in the package is suitable for wooden walls or other solid walls.

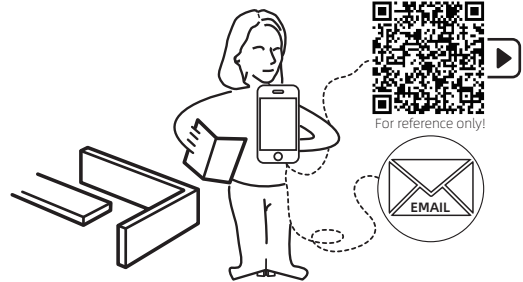
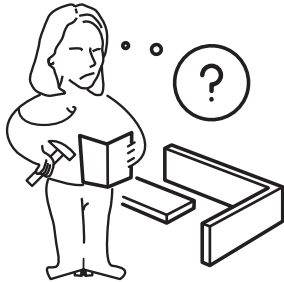
For wooden walls, please only use the screws, the included plastic screw accessory is only an option. For hard walls, please drill holes with a hammer and then insert the screws and plastic accessories. The included wall mount is not suitable for walls with weak holding force, such as plasterboard. To attach this product to the plasterboard, please make sure the screws are securely fastened to the keel. Please choose the proper safety devices according to the type of wall in your house.

1. Tempered glass has a 0.3% risk of self-explosion. In case of such an accident, please contact us and we will replace the damaged glass. During installation, please wear gloves, long-sleeved shirts, pants and socks to avoid possible injury.
2. To avoid possible accidents, please keep children away during installation. Please make sure that the installation is done by two adults.
3. During installation, use cardboard or carpet as a buffer layer to prevent the glass corner from colliding with hard objects such as the floor. Especially when installing tempered glass, make sure the corners do not hit the floor to prevent the tempered glass from exploding due to force changes.
4. When installing a display case, install the anti-tilt device first to avoid possible serious or fatal injury. To prevent possible tipping over, the display case must be permanently attached to the wall. Wall mounting is not limited to the fixtures we offer. You are free to install similar fixtures to avoid possible hazards.
5. DO NOT operate the cabinet door frequently, and DO NOT shake the cabinet to avoid the risk of colliding with the cabinet door or dropping objects. Again, install an anti-tipping device and keep children away (at least 2 meters/6.6 feet away) from this display case. Please also install a door lock to avoid possible injury from accidental operation by children.
6. The top/bottom panel of this cabinet is made of MFC/PVC-covered particle board, which is not fireproof.
7. For disposal, please contact the relevant local authorities or qualified companies.
8. The product is a partially transparent tempered glass display case, it is not fully transparent. After installation, the distance may be different due to the different fixing forces.
9. No part of this product can be swallowed, played with, or used for other purposes.
10. Please adjust the footrest on the product after installation. The maximum load of the glass plate is 8.00 kg/17.64 lbs. Note that the load capacity is for stored items only.
11. Product dimensions may have a tolerance of 10 mm/0.4 inch due to different measuring tools or methods.
12. After installing the cabinet, check and tighten all screws to avoid potential safety hazards, such as shelves falling and cabinet structures becoming loose due to loose screws.

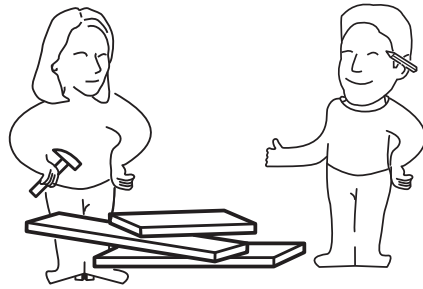
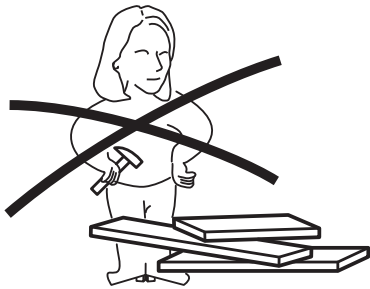


SCALE AND PERSPECTIVE

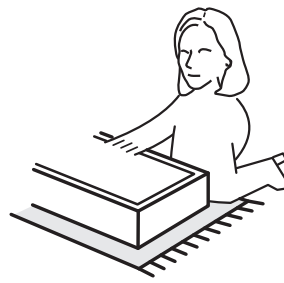
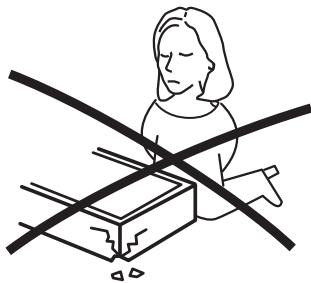
The installation graphics in this installation manual are only for illustration purposes and are not drawn at a 1:1 equal scale. The perspective angle is a multi-angle perspective, and some graphics are drawn using the principle of scatter perspective in order to highlight the key points !



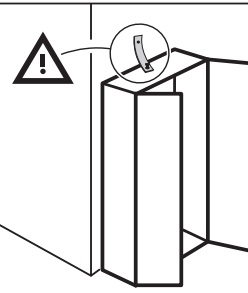
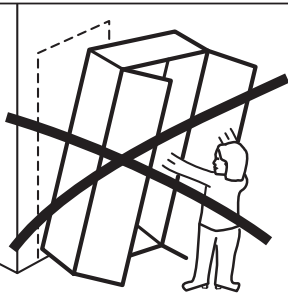
IF YOU ENCOUNTER ANY QUESTIONS DURING INSTALLATION, PLEASE WATCH THE VIDEO OR EMAIL FOR A CONSULTATION!



CANNOT BE INSTALLED BY ONLY ONE PERSON!



NOT TO BE INSTALLED ON HARD GROUND! PLEASE USE CARDBOARD OR CARPET AS A BUFFER LAYER DURING THE INSTALLATION!

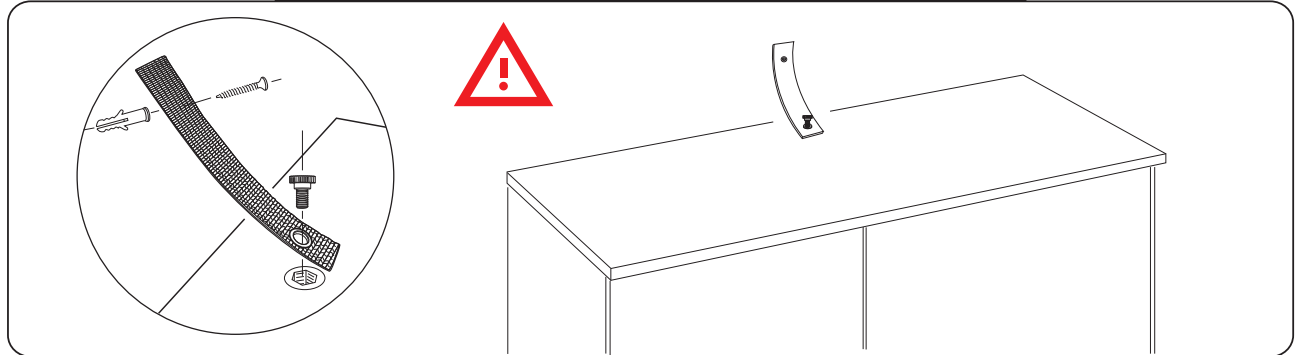


TO PREVENT TIPPING HAZARDS AND LOSSES, PLEASE BE SURE TO INSTALL ANTI-TIPPING DEVICES!



- ALWAYS secure it with an anchor device.
- NEVER allow children to stand, climb, or hang on doors and shelves.
- Place heavy items down low.

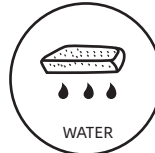
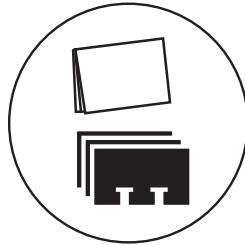
Please be sure to install a fall protection device



Manual preservation/maintenance



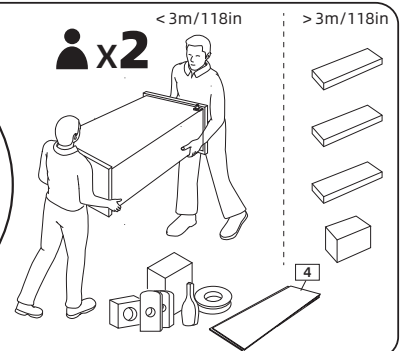
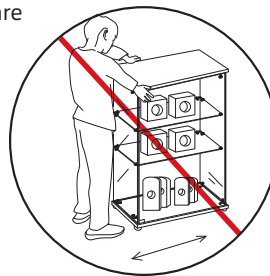
Please keep the installation manual properly and do not discard it;



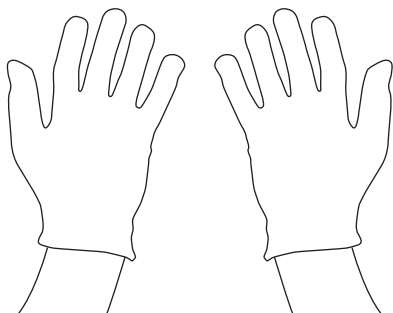
Please do not use acidic or alkaline detergents to clean tempered glass or cover plates. Do not use a damp cloth to wipe tempered glass. Use a slightly damp cloth containing water to wipe tempered glass; Please use a dry cloth to wipe the cover plate!

Cabinet movement instructions

Before moving the cabinet, please ensure that no objects are placed on the shelf; Remove the tempered glass shelf and put it in a safe location; Check the door lock to ensure that the tempered glass door is closed; Items inside the cabinet are prohibited. Please use two people when moving, it is limited to short distance indoor movement and the movement distance should not exceed 3 meters (< 3m/118in); Please completely unpack and protect the glass when moving or moving over long distances!

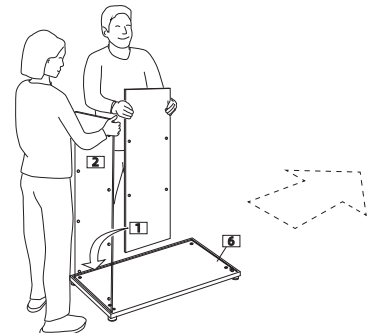


Please use gloves during installation

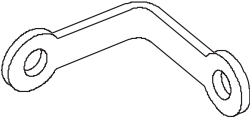
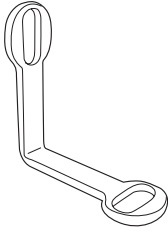
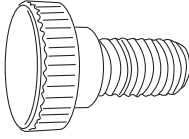
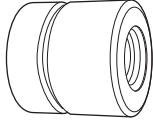

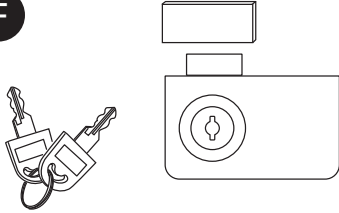
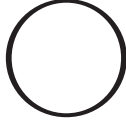
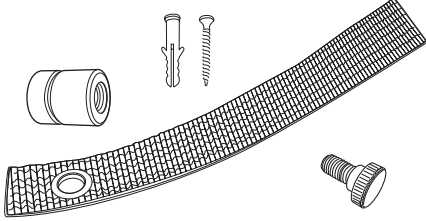

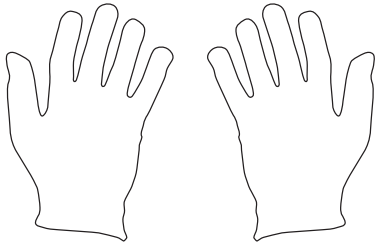
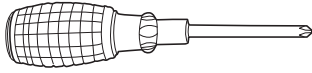

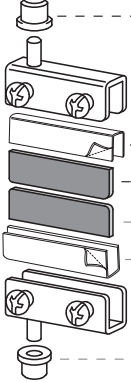
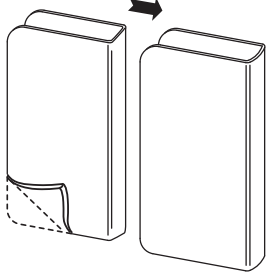


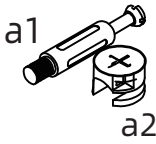
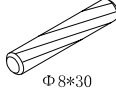
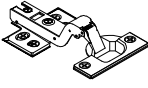
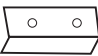


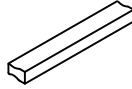



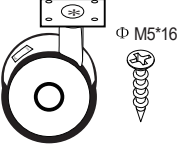

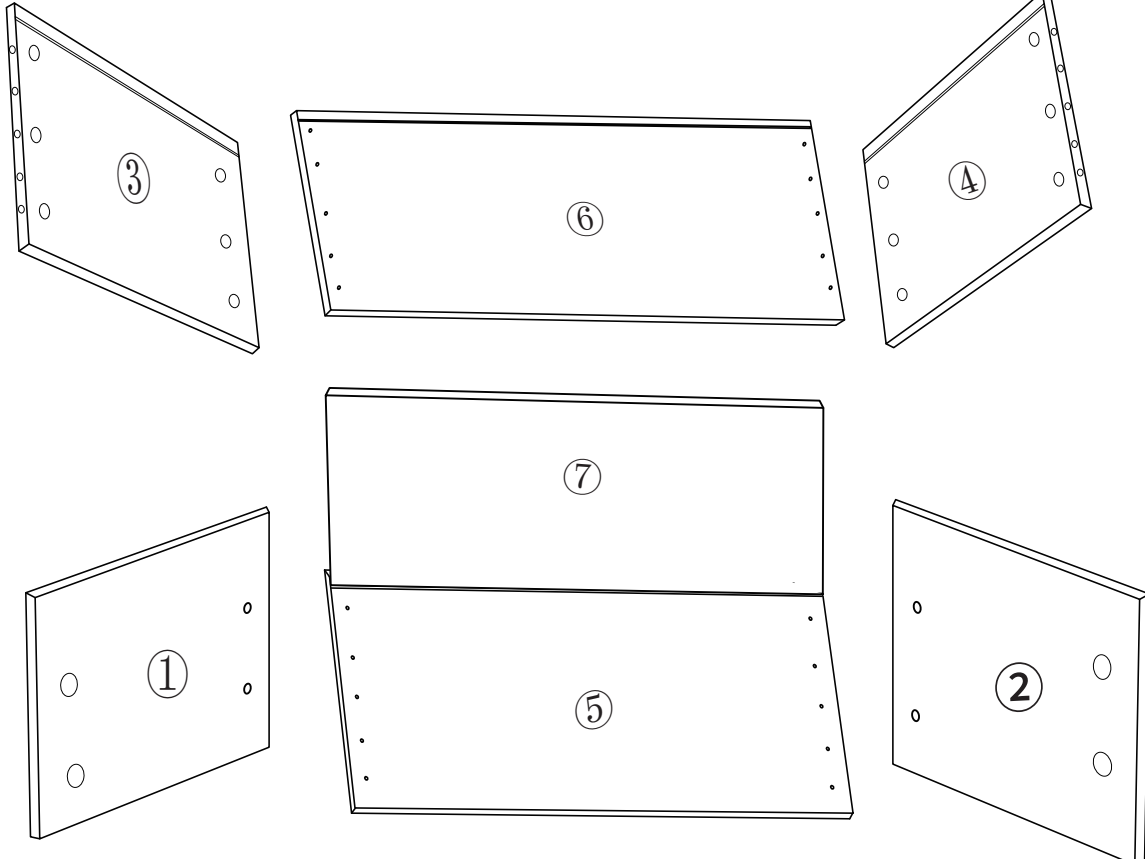
When installing, please start from one side

x2



ASSEMBLY PARTS LIST

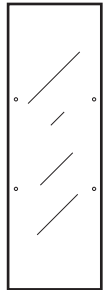
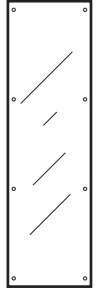
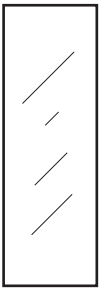
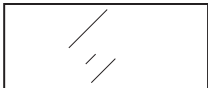
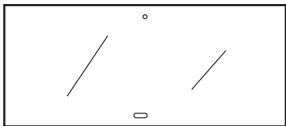

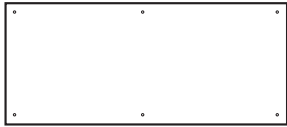

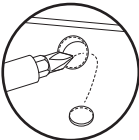
<p>A</p>  <p>ConnectorA / x4</p>	<p>B</p>  <p>ConnectorB / x8</p>	<p>C</p>  <p>Screw / x33</p>	<p>D</p>  <p>Glass top Long nut / x29 Wooden top Long nut / x24</p>
<p>E</p>  <p>Glass top Gasket(white) / x58 Wooden top Gasket(white) / x48</p>	<p>F</p>  <p>lock / x1</p>	<p>G</p>  <p>Glass top Washer(black) / x29 Wooden top Washer(black) / x24</p>	
<p>I</p>  <p>Anti-tipping device / x1</p>	<p>Q</p>  <p>PaipaiLamp/x2 or Bluetooth LED / x1</p>		
<p>K</p>  <p>Glove / x2</p>	<p>L</p>  <p>Screwdriver / x1</p>	<p>X</p>  <p>The rectangular locator is only available on the glass top. Rectangular locators / x1</p>	
<p>N</p>  <p>Door spindle Door clamp Shim Plastic gasket Plastic gasket Shim Door clamp Door spindle</p> <p>Door clip set / x2</p>		<p>W</p>  <p>Horn guard / x2</p>	

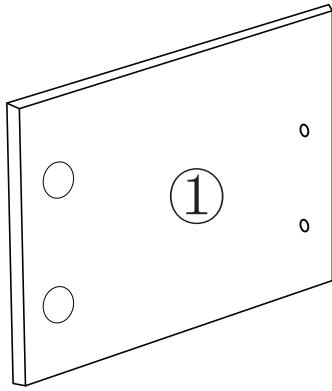
 <p>a1 a2</p>	 <p>$\Phi 8 \times 30$</p>		<p>Door stop</p> 	<p>Universal Screws</p> <p>$\Phi 4 \times 12$</p> 
<p>a 12 pcs</p>	<p>b 8 pcs</p>	<p>c 4 pcs</p>	<p>d 1 pcs</p>	<p>e 24 pcs</p>
<p>Doorstop screw</p> <p>$\Phi 3 \times 12$</p> 	<p>Doorknob</p> 		<p>Door handle screws</p>  <p>$\Phi M4 \times 14$</p>	<p>Door sucker</p> 
<p>f 2 pcs</p>	<p>g 2 pcs</p>	<p>n 4 pcs</p>	<p>h 4 pcs</p>	<p>u 2 pcs</p>
<p>Omn wheel Anchor</p>  <p>$\Phi M5 \times 16$</p> <p>or</p>  <p>$\Phi M5 \times 16$</p>				
<p>m 6 pcs or m 6 pcs</p>				
				

PRODUCT COMPONENT LIST

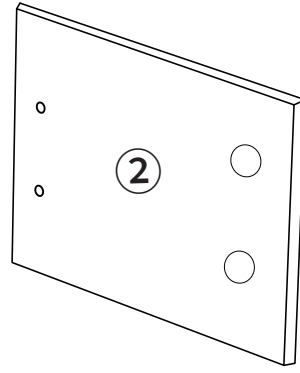
NO	ASSEMBLY	SIZE	NUMBER	TEXTURE OF MATERIAL
1	Back glass	1185*390mm	2	Tempered glass
2	Side glass	1185*345mm	2	
3	Door glass	Wooden Top 1165*387mm or Glass Top 1168*387mm	2	
4	Shelf glass	775*315mm	2	
5	Wooden Top or Glass Top	807*365mm	1	MFC/PVC edge banding
6	bottom plate	807*365mm	1	MFC/PVC edge banding
7	Accessory Package	Various specifications		Various materials

! Product dimensions may have an error with 10mm due to the usage of different measuring tools or methods;
If you find that the number of parts in the kit is not consistent with the manual, the excess number can be used as a backup.

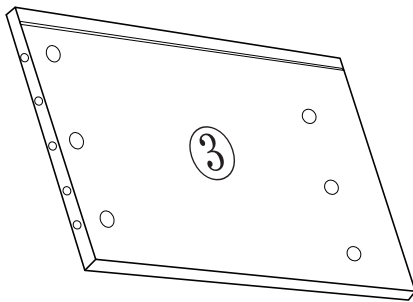
<p>1</p>  <p>1185*390mm</p>	<p>2</p>  <p>1185*345mm</p>	<p>3</p>  <p>Glass Top 1168*387mm or Wooden Top 1165*387mm</p>	<p>4</p>  <p>775*315mm</p>
<p>Back glass / x2</p>	<p>Side glass / x2</p>	<p>Door glass / x2</p>	<p>Shelf glass / x2</p>
<p>5</p> <p>Glass Top / x1</p>  <p>or</p> <p>Wooden Top / x1</p>  <p>807*365*18mm</p>	<p>6</p>  <p>807*365*18mm</p>	 <p>INSTRUCTIONS FOR USING TEMPERED GLASS HANDLE WITH CARE! EDGE DAMAGE OR SURFACE SCRATCHES CAN CAUSE SUDDEN GLASS BREAKAGE IN EXCEPTIONAL CASES. HOWEVER, IT WILL NEVER BECOME SHARP SHARDS, ONLY BREAKING INTO SMALL PIECES. PLEASE AVOID SIDE IMPACTS - THIS IS THE WEAK POINT OF THE GLASS.</p>	
<p>bottom panel / x1</p>	<p>TIPS: IF SOME OF THE GLASS HOLES ARE NOT OPEN, YOU CAN USE A SCREWDRIVER TO POKE THEM OPEN.</p> 		



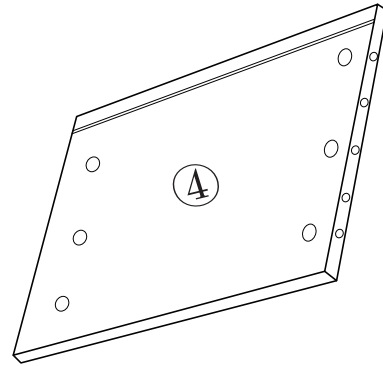
387*397*12mm×1



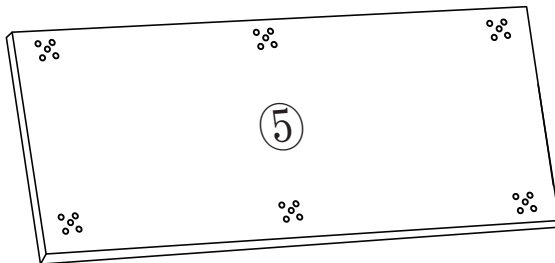
385*395*12mm×1



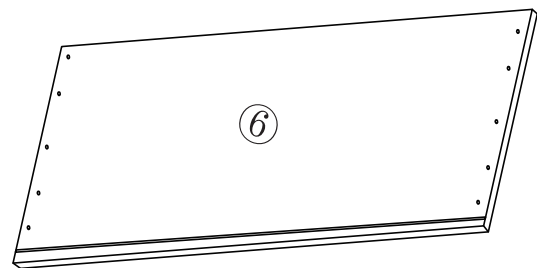
365*400*15mm×1



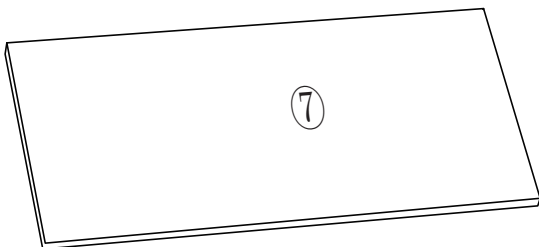
365*400*15mm×1



807*365*15mm×1



807*365*15mm×1

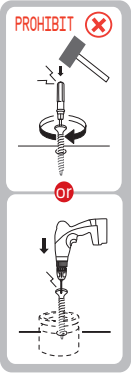
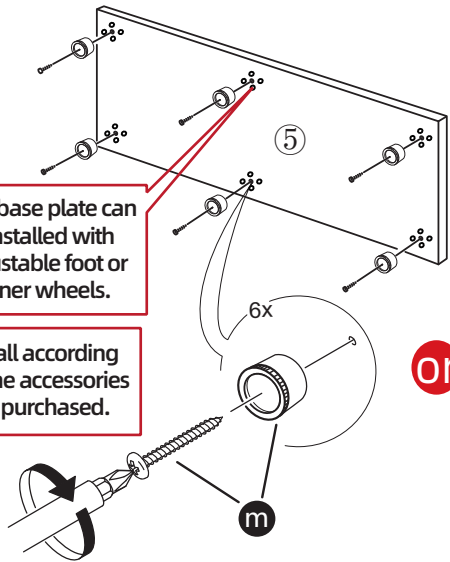


783*408*3mm×1

1

The base plate can be installed with Adjustable foot or Spinner wheels.

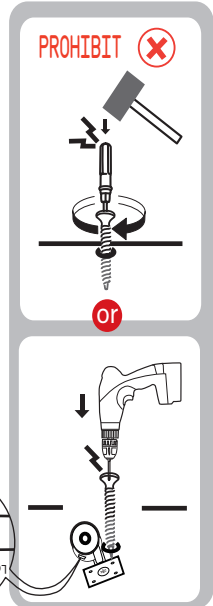
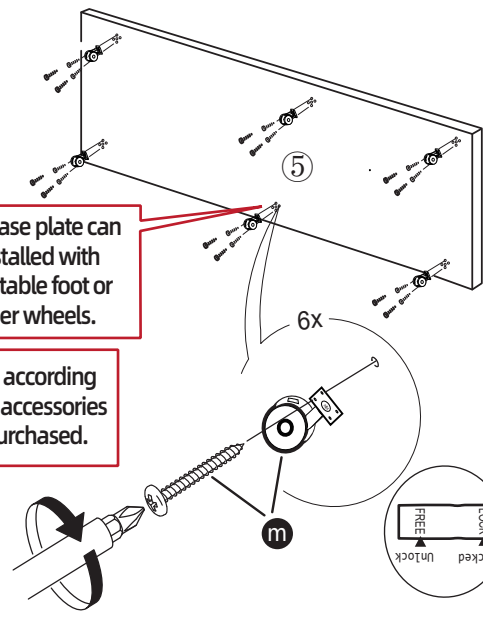
Install according to the accessories you purchased.



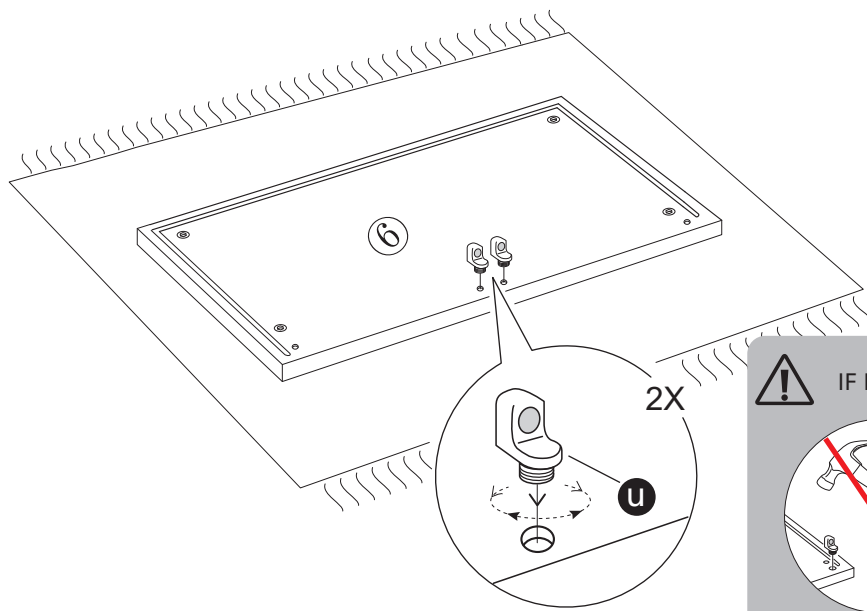
or

The base plate can be installed with Adjustable foot or Spinner wheels.

Install according to the accessories you purchased.



2

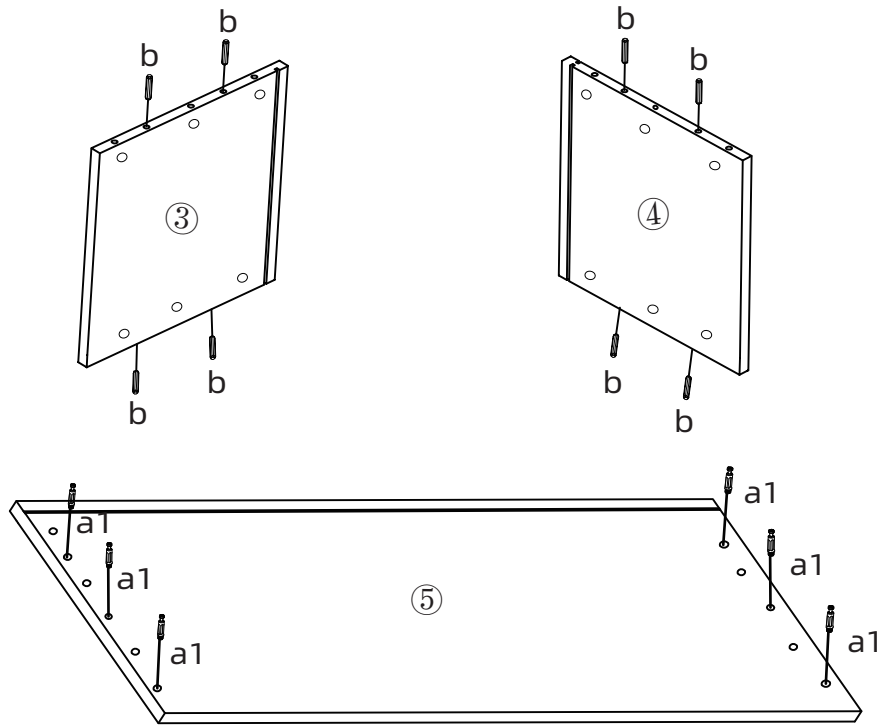


! IF INSTALLATION IS DIFFICULT !

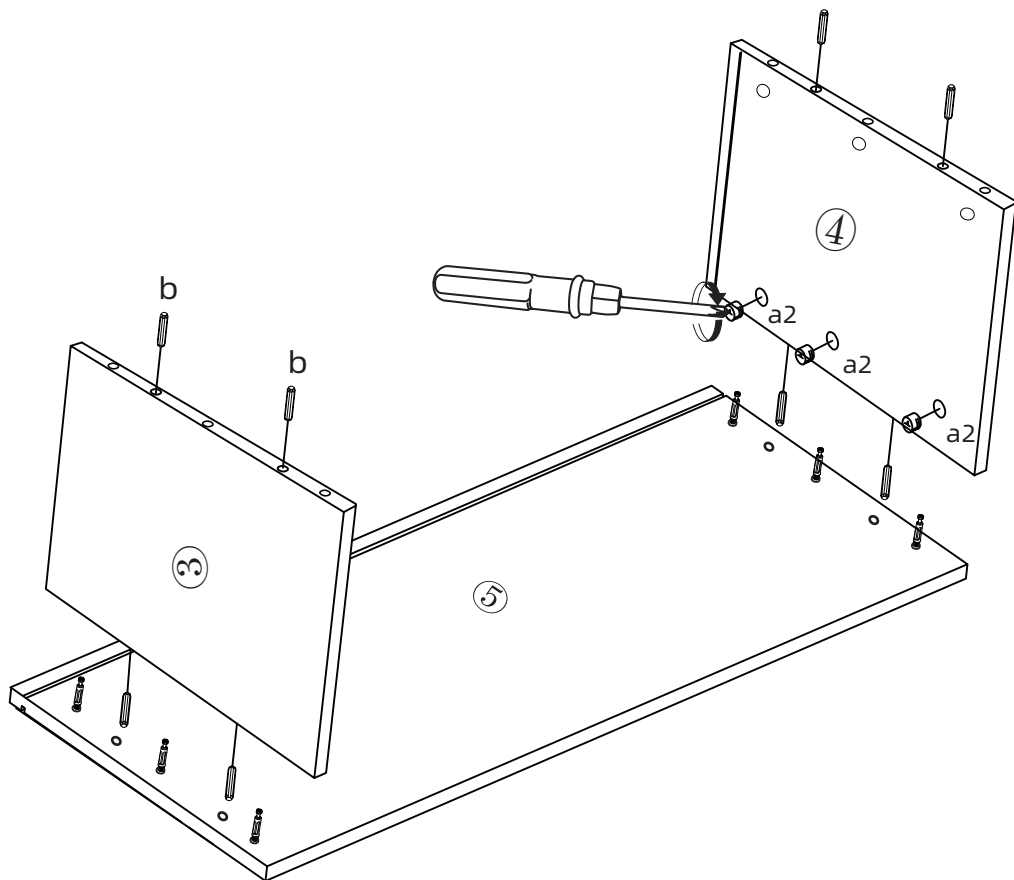
3

Left of panel

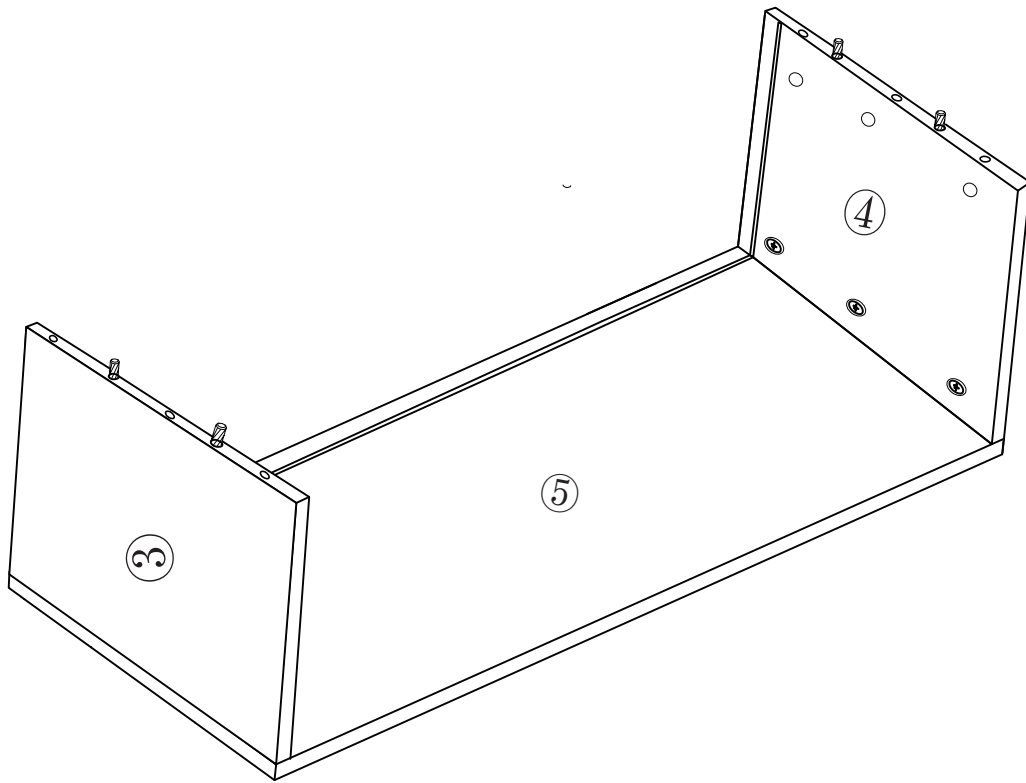
Right of pane



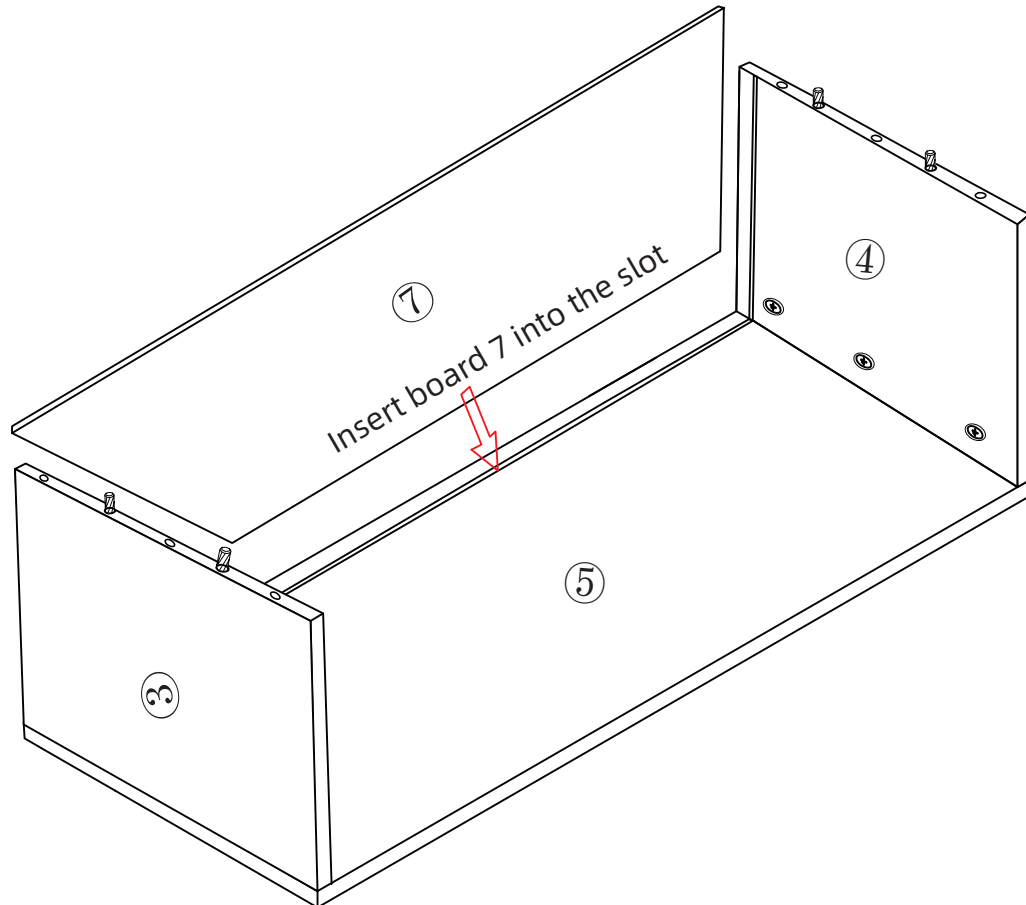
4



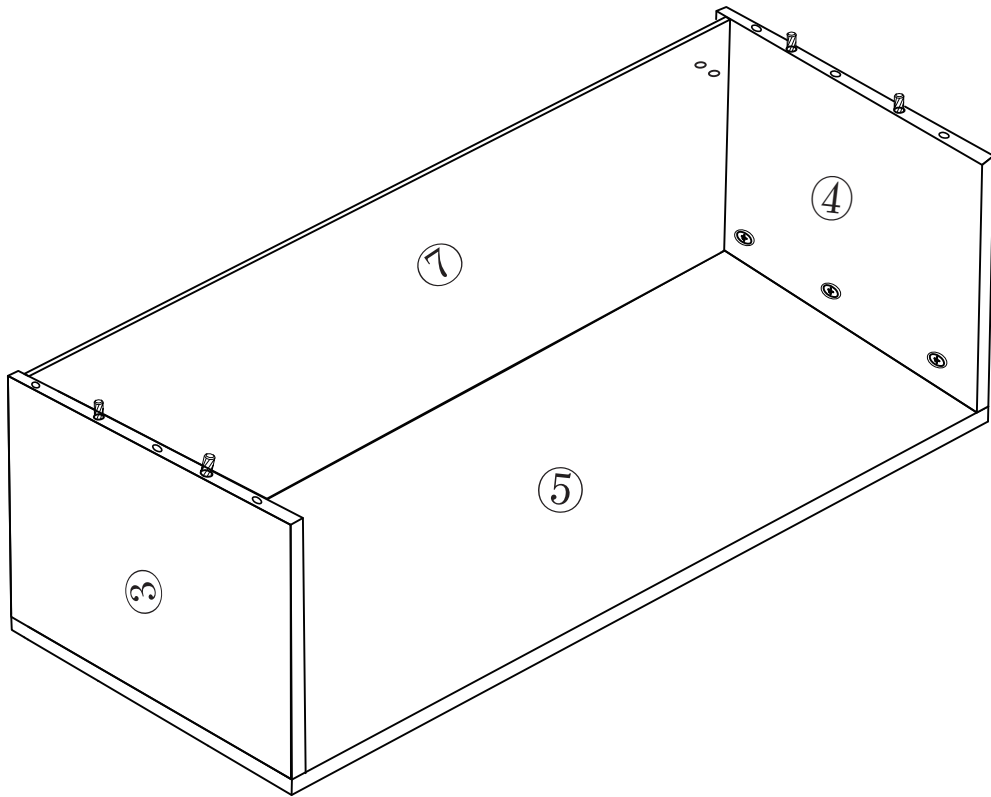
5



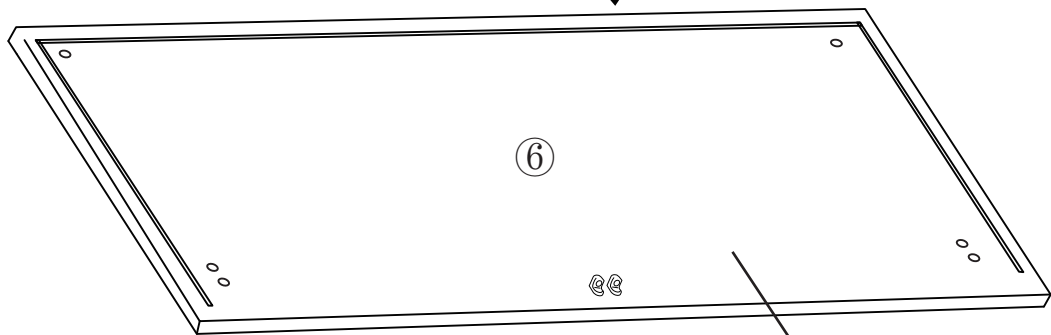
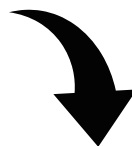
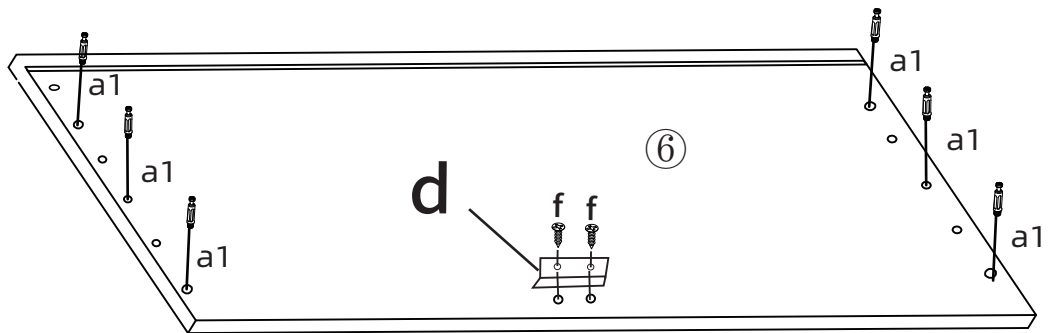
6



7

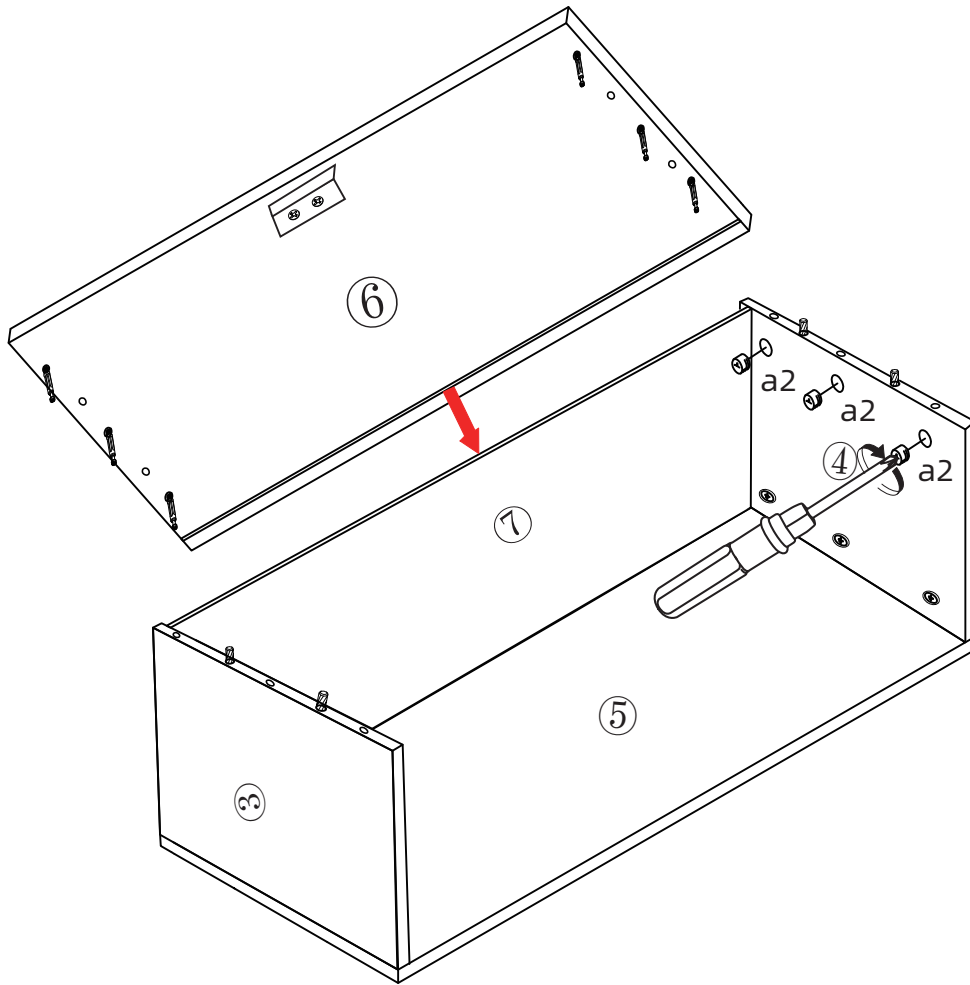


8

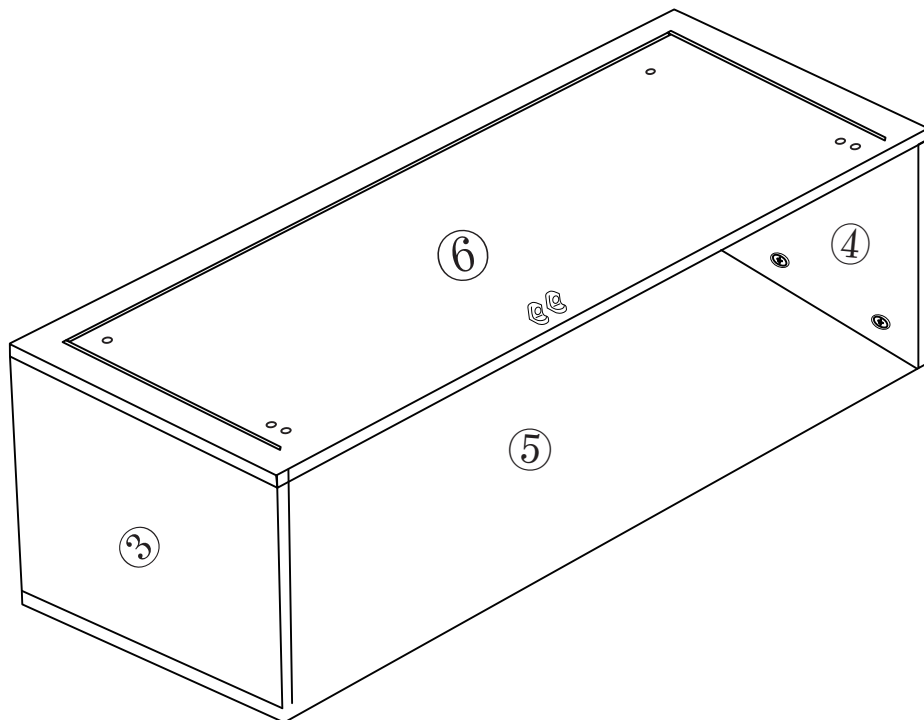


THIS SIDE UP

9



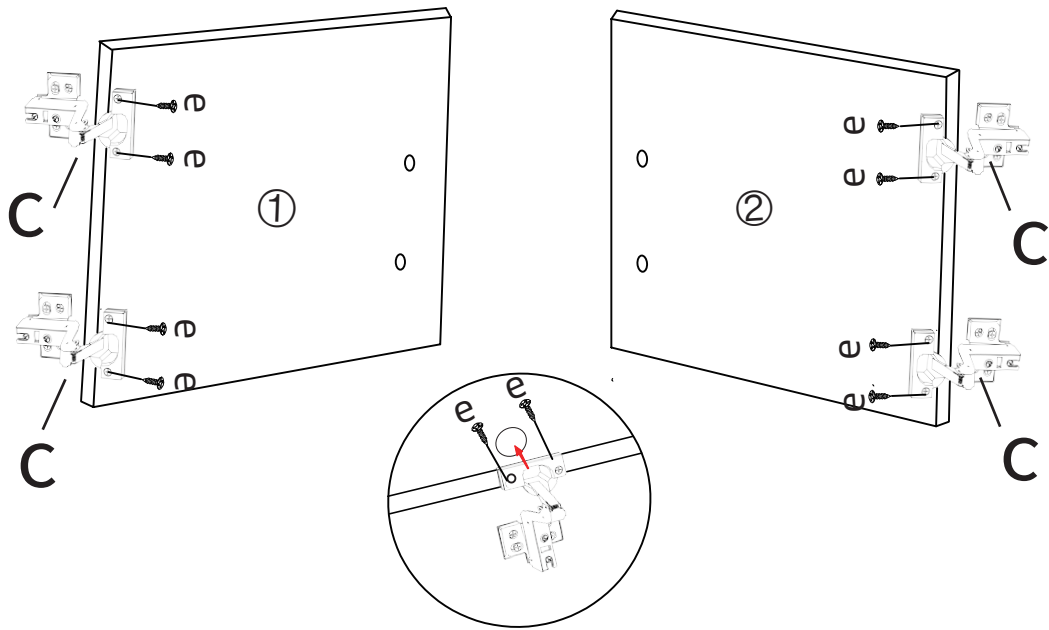
10



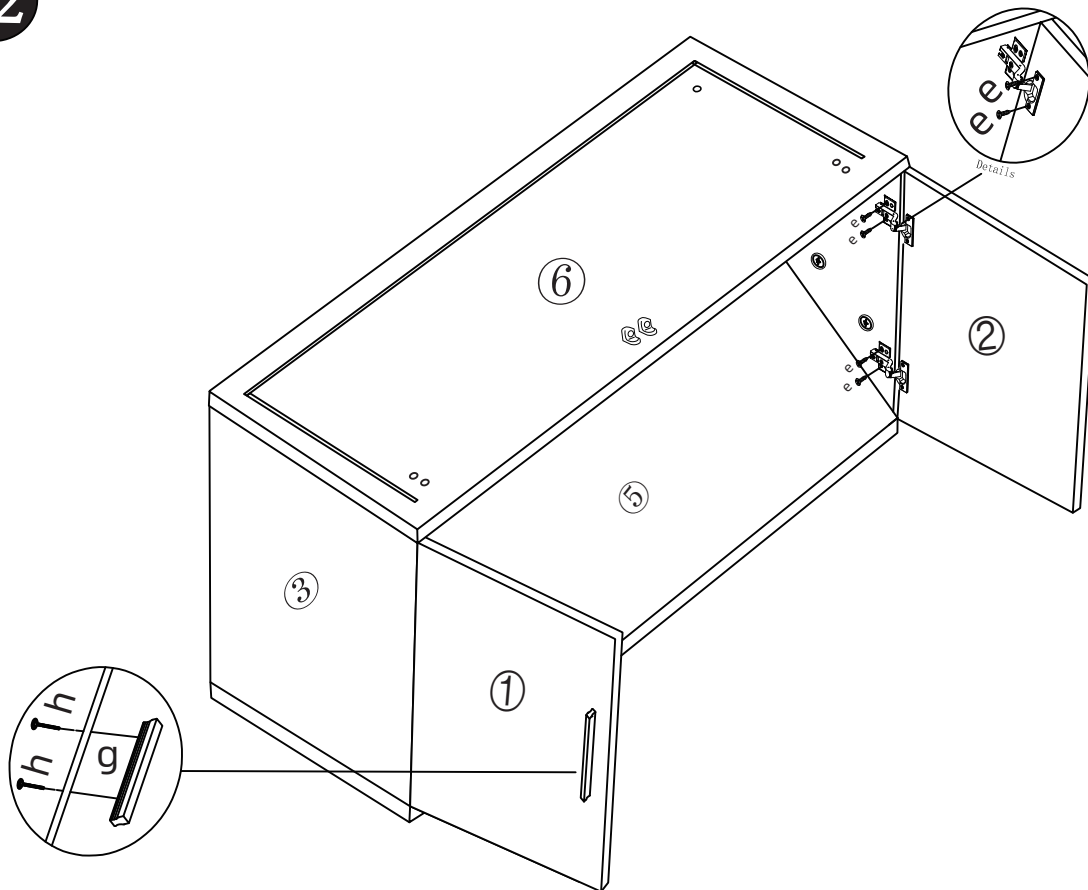
11

Left of panel

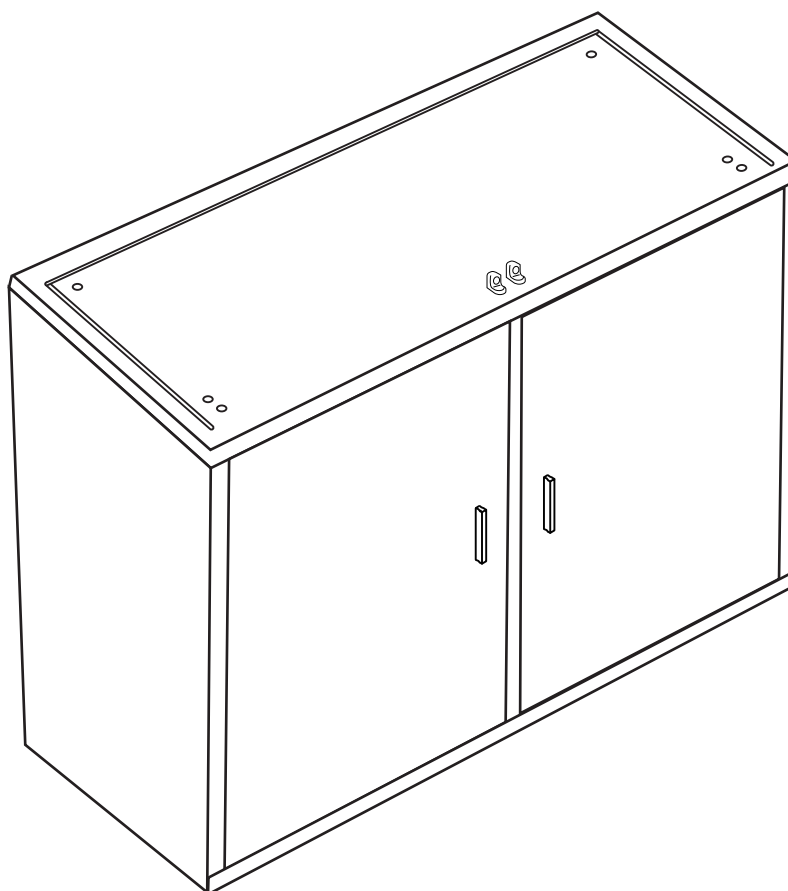
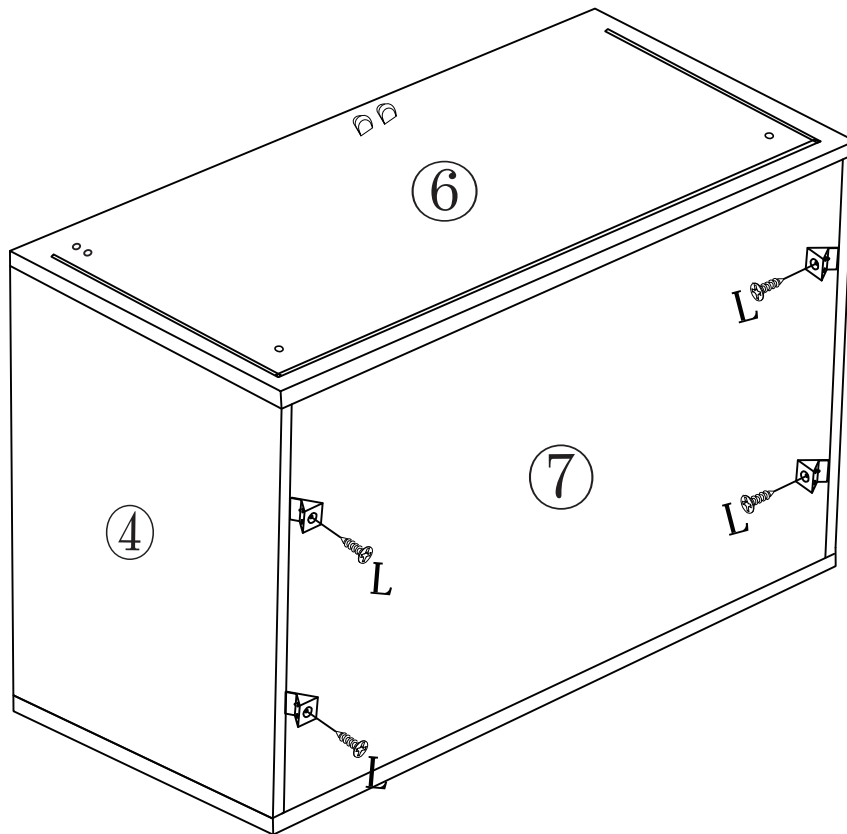
Right of panel



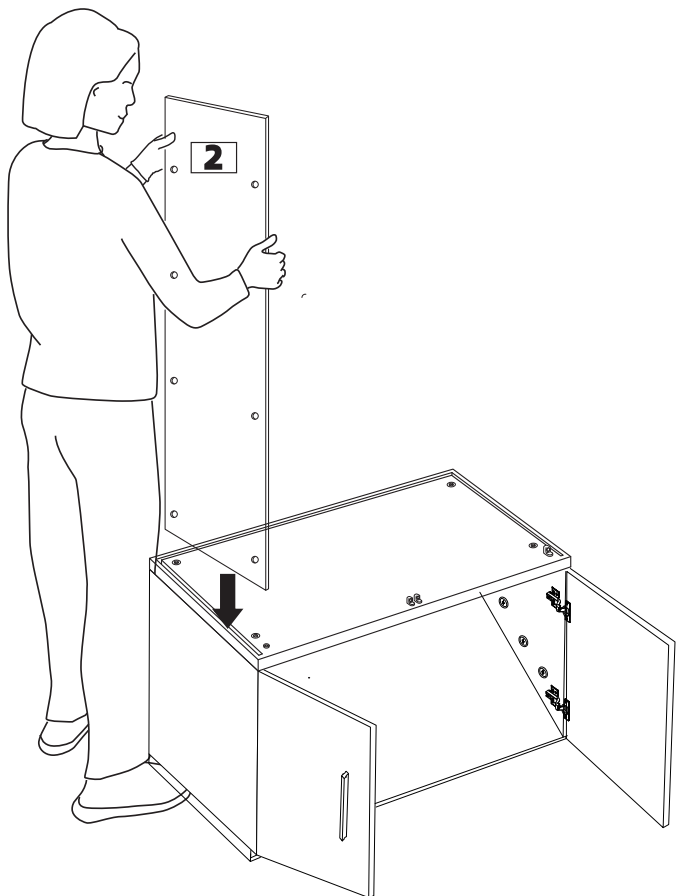
12



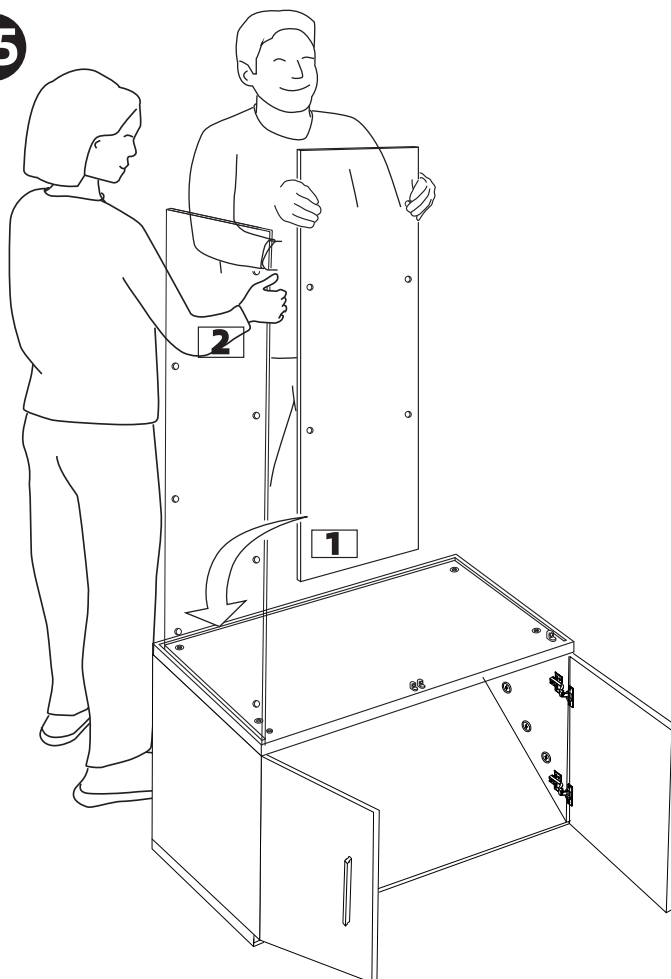
13



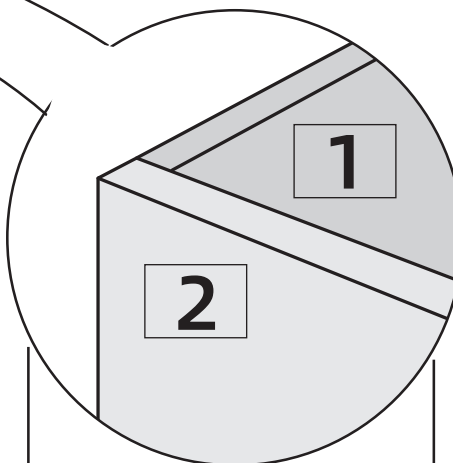
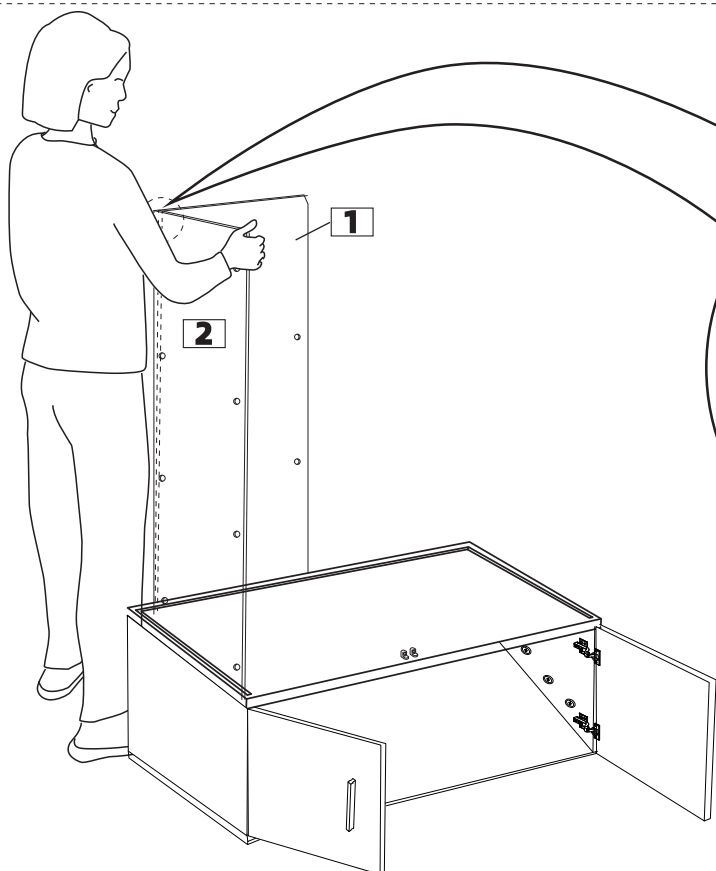
14



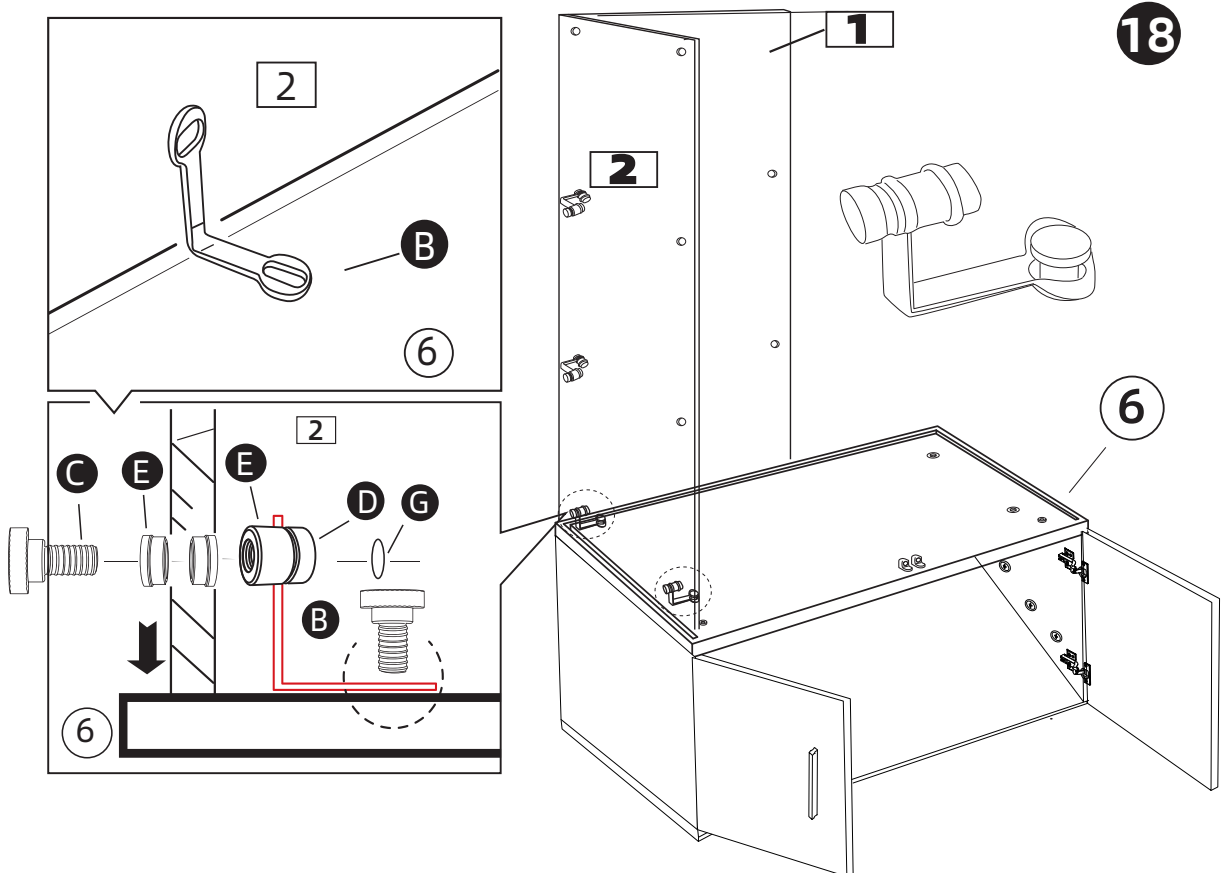
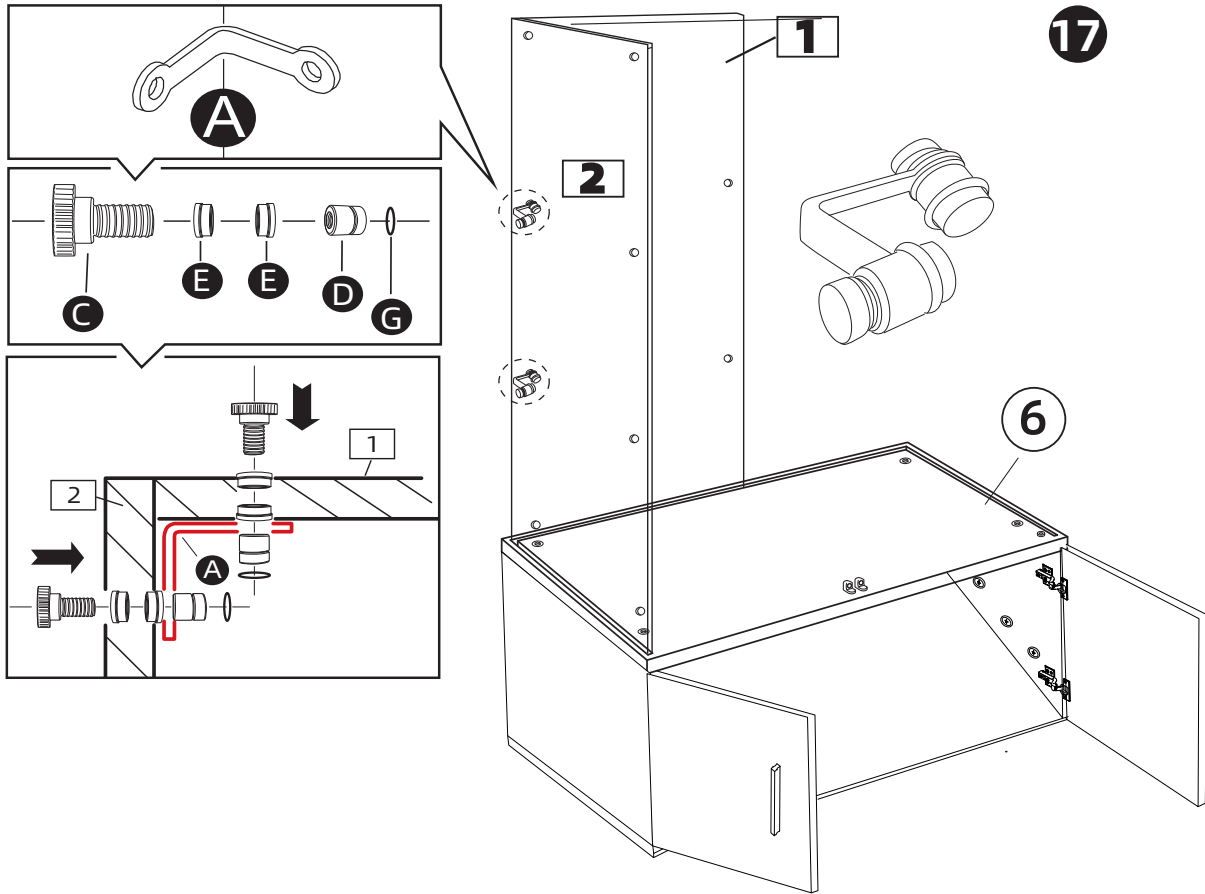
15



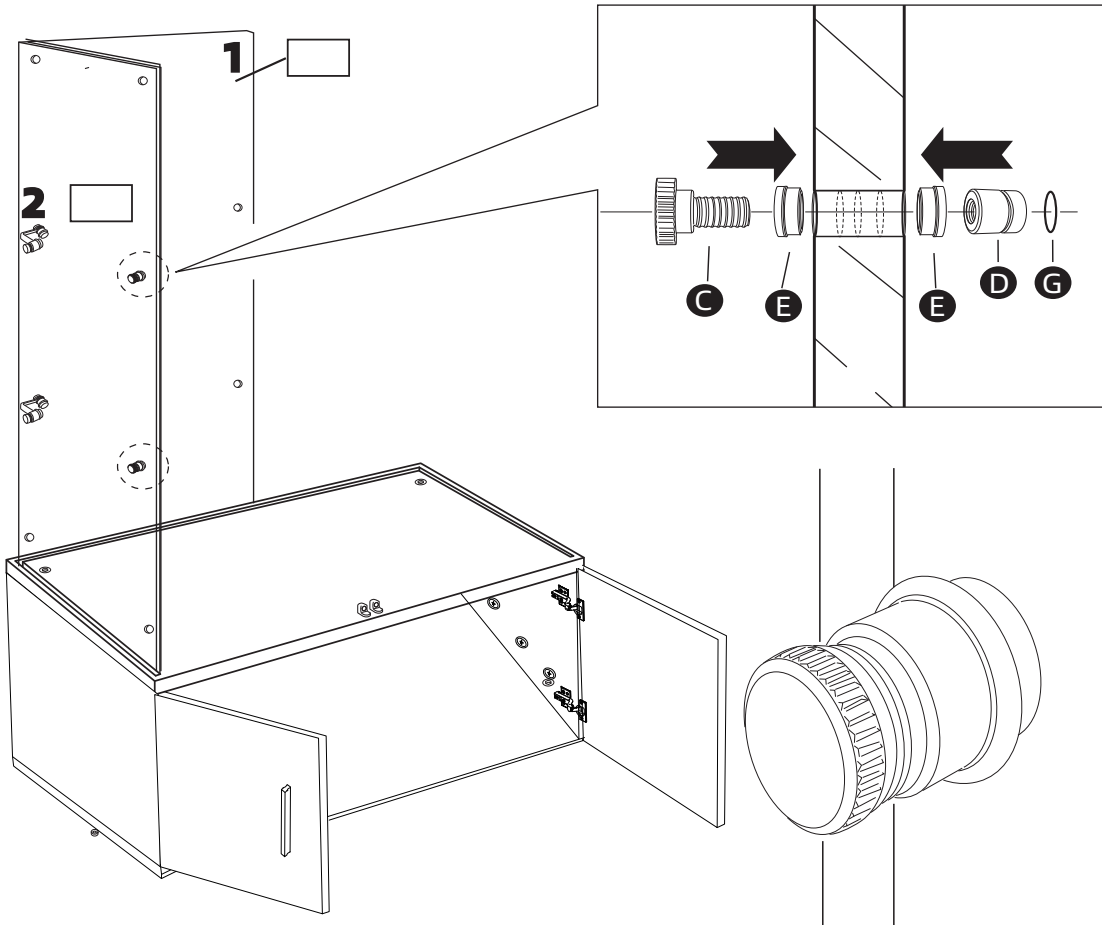
16



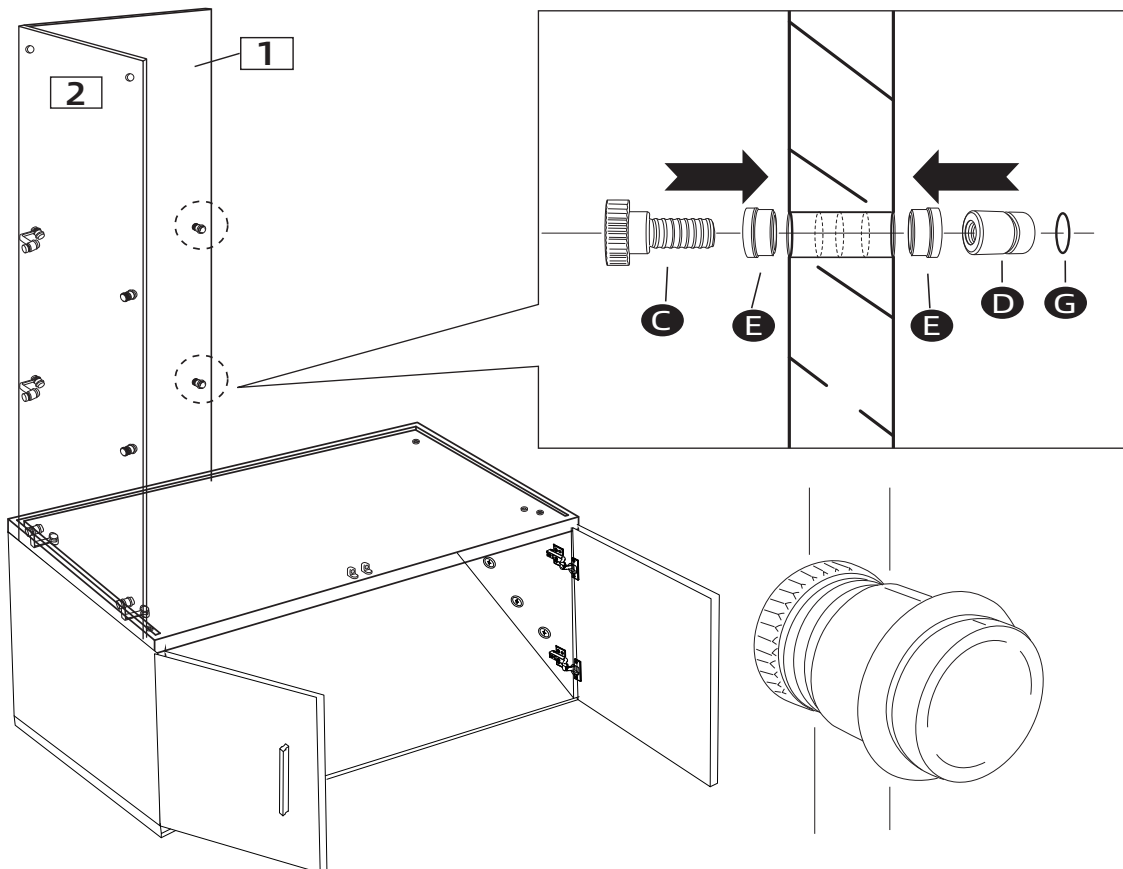
- When installing, please start from one side;
- The installation sequence of tempered glass is **2-1-1-2-3-3-4-4...**;
- Please fill the bottom plate slot with tempered glass No.2 and push it to the innermost position;



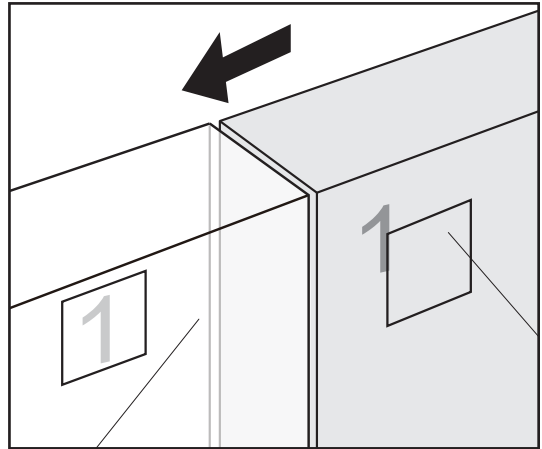
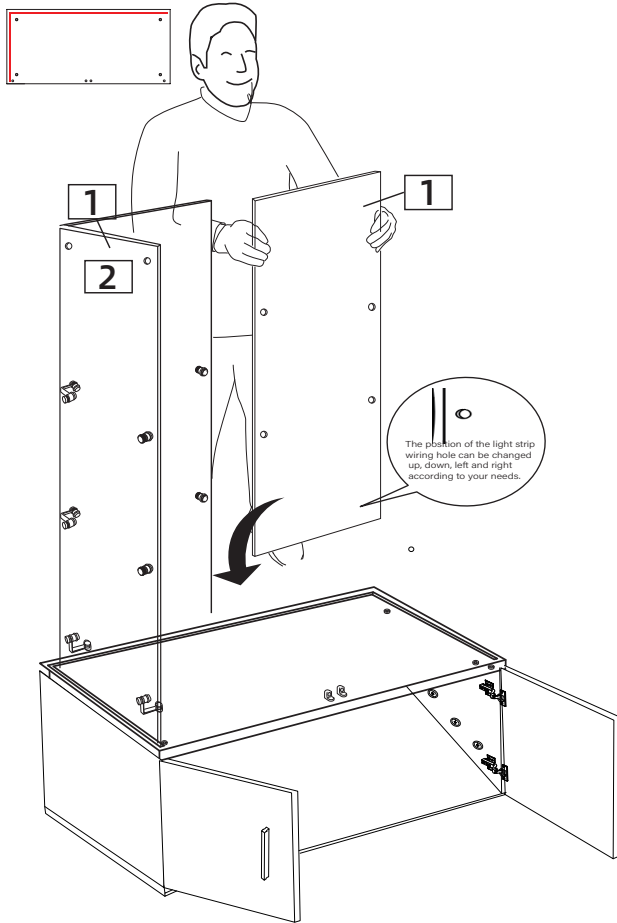
19



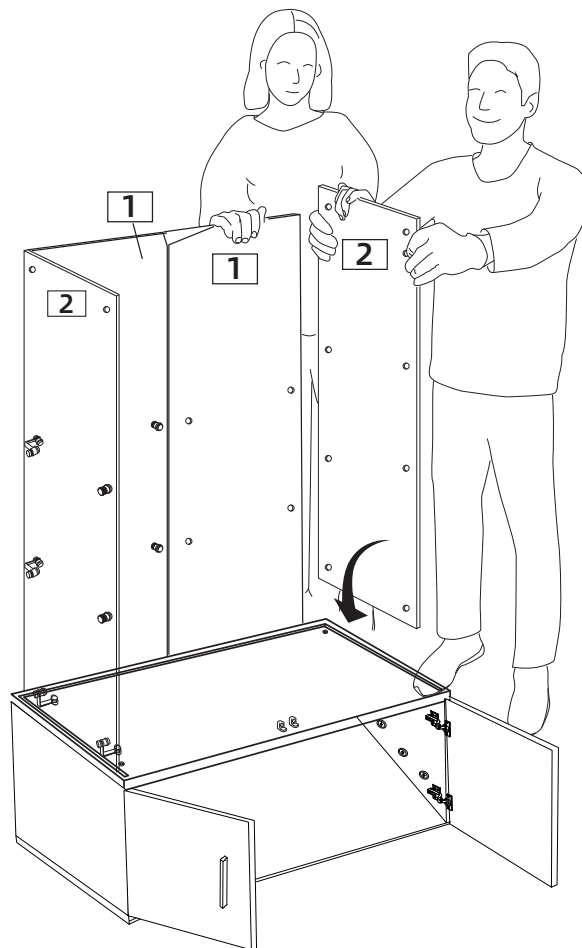
20



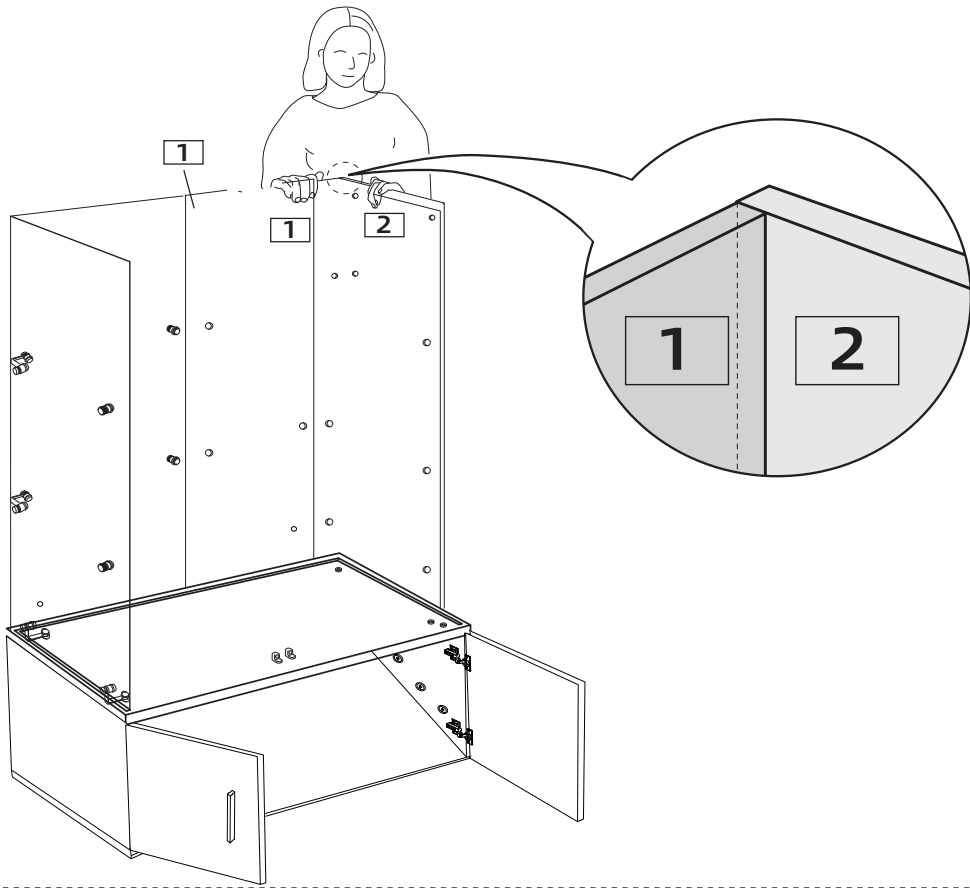
21



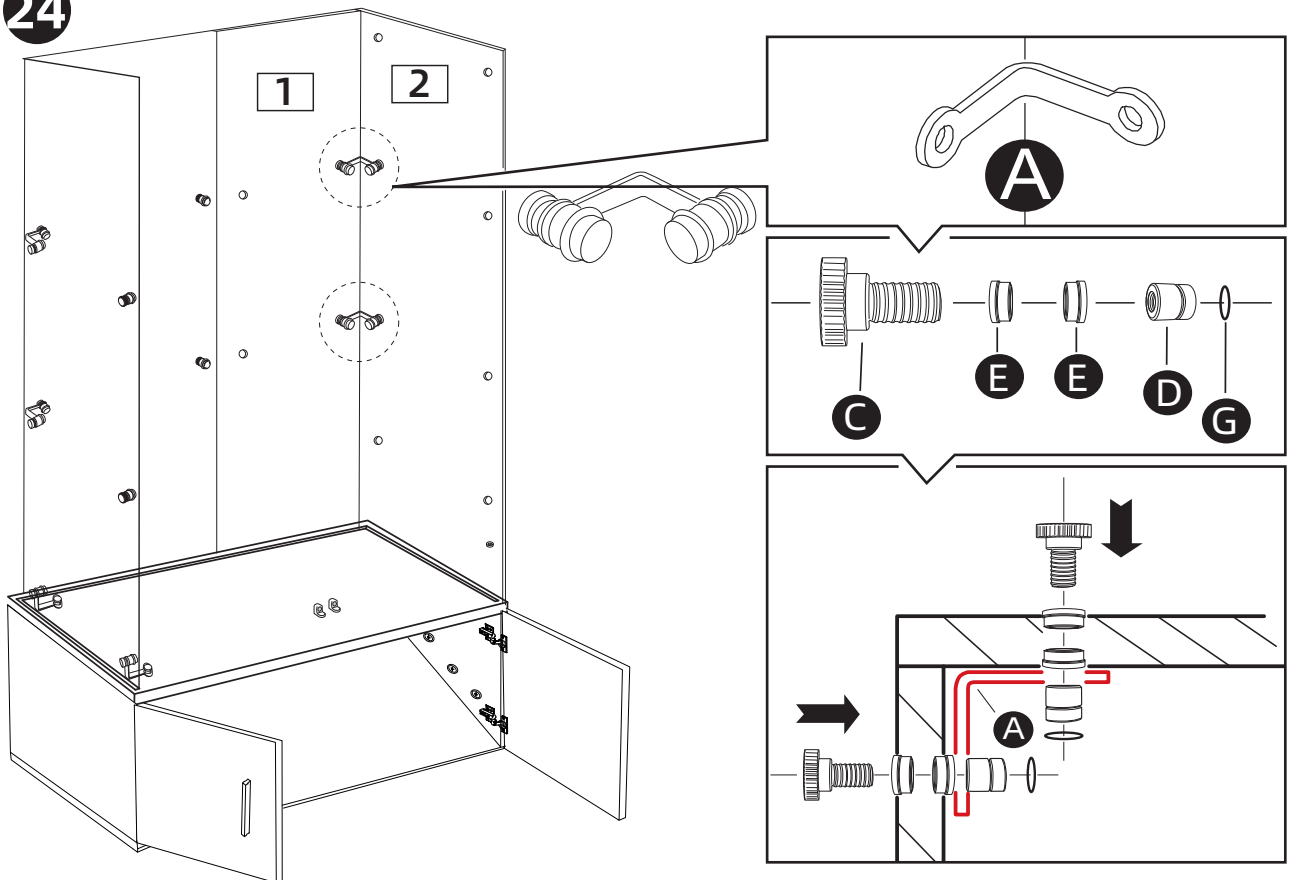
22



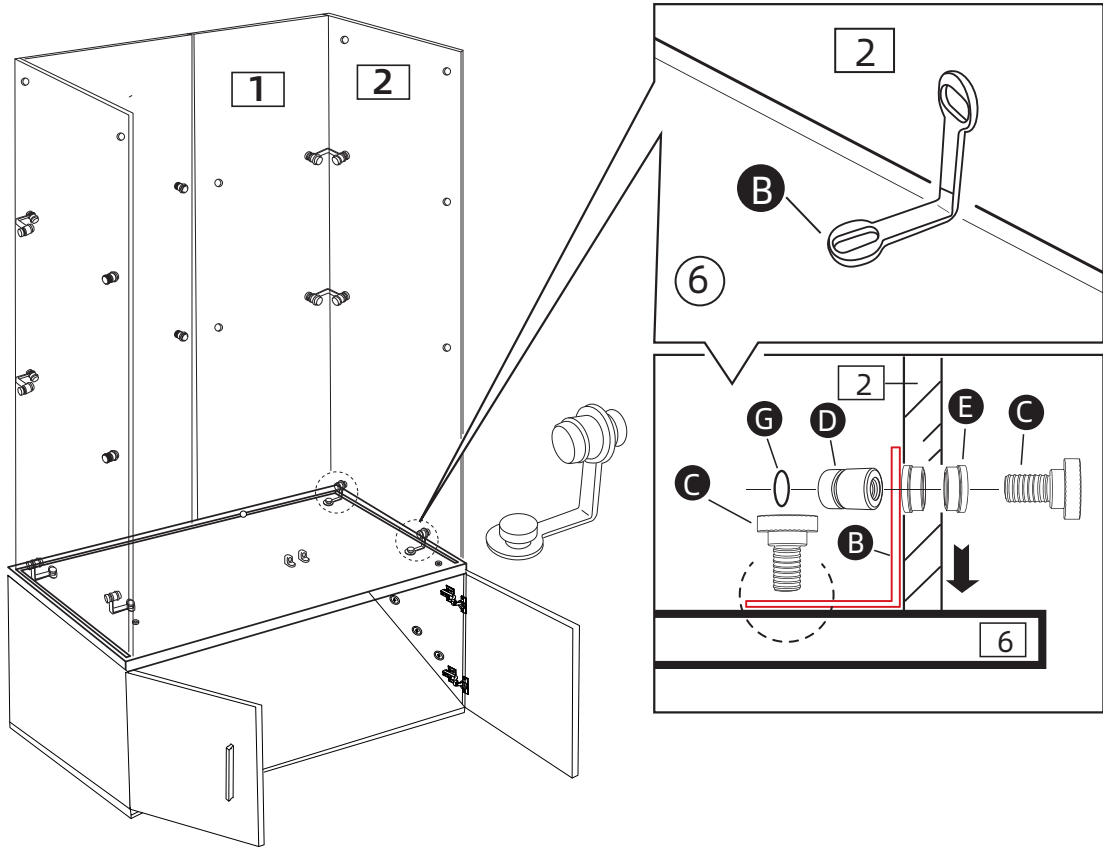
23



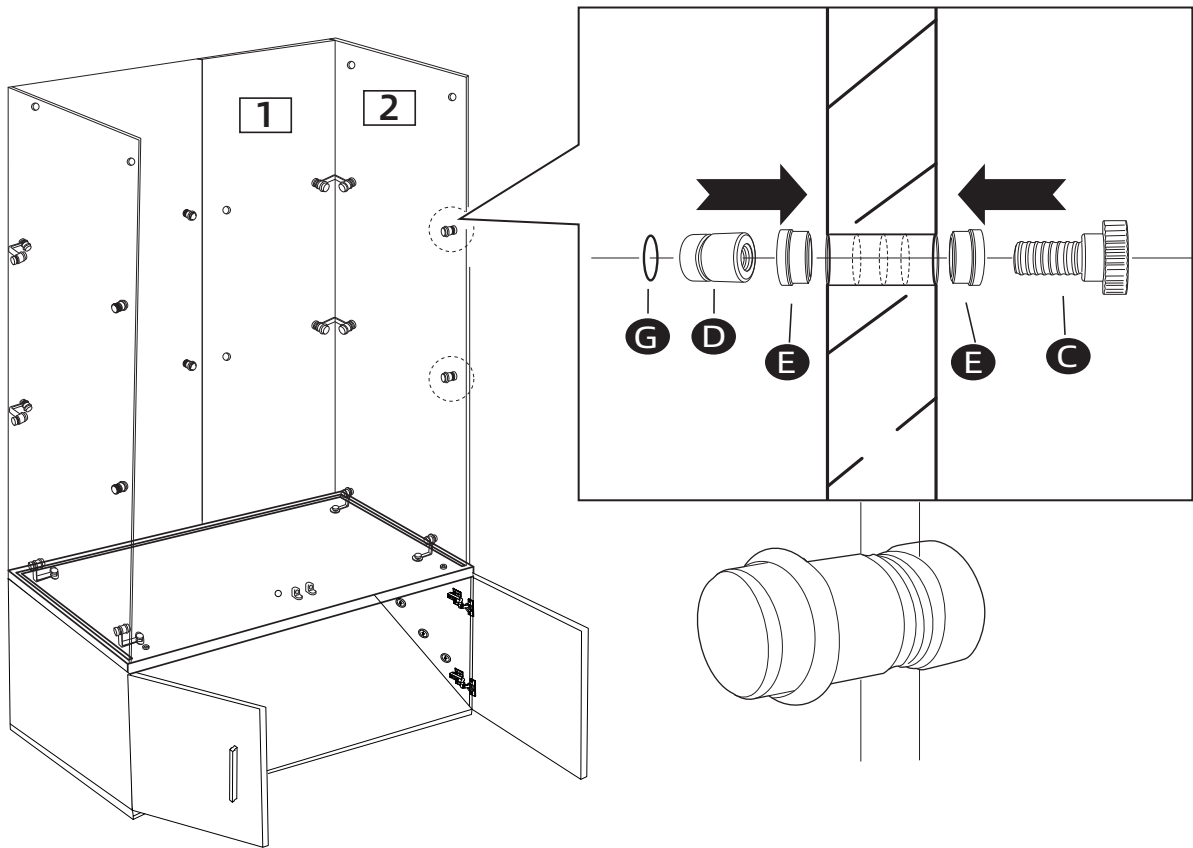
24



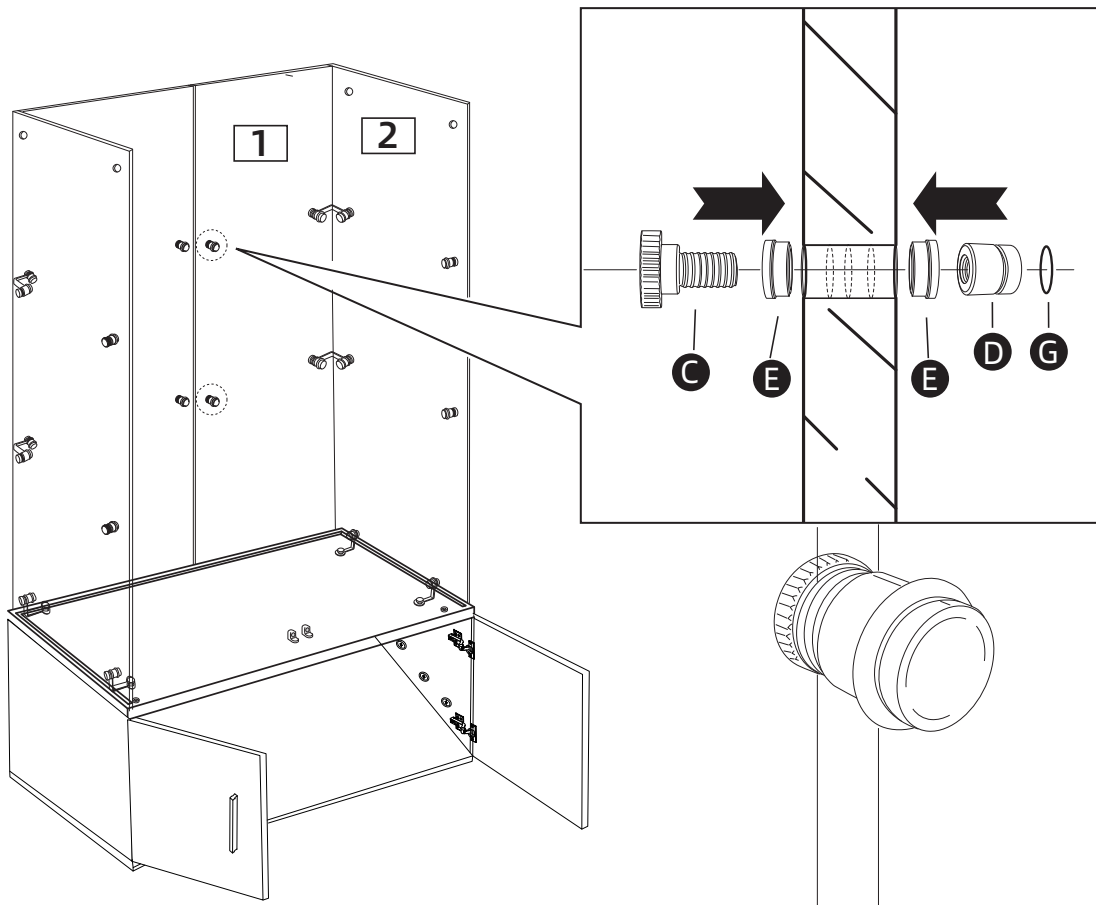
25



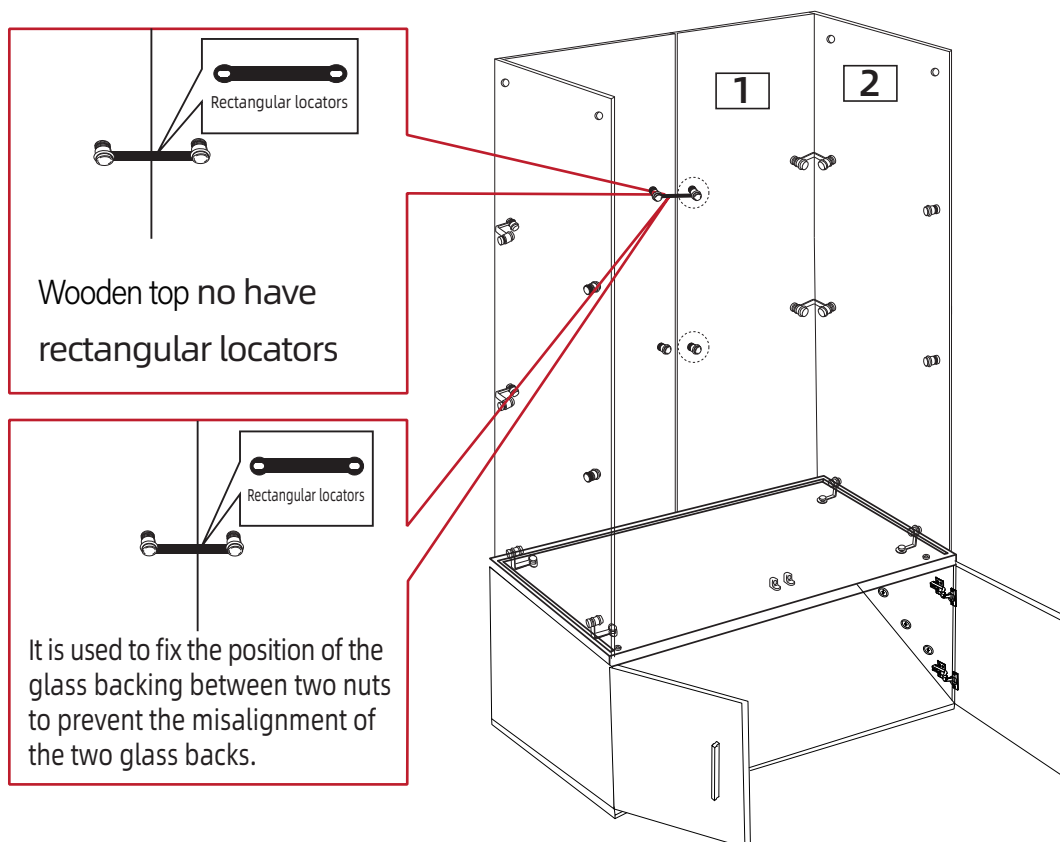
26



27

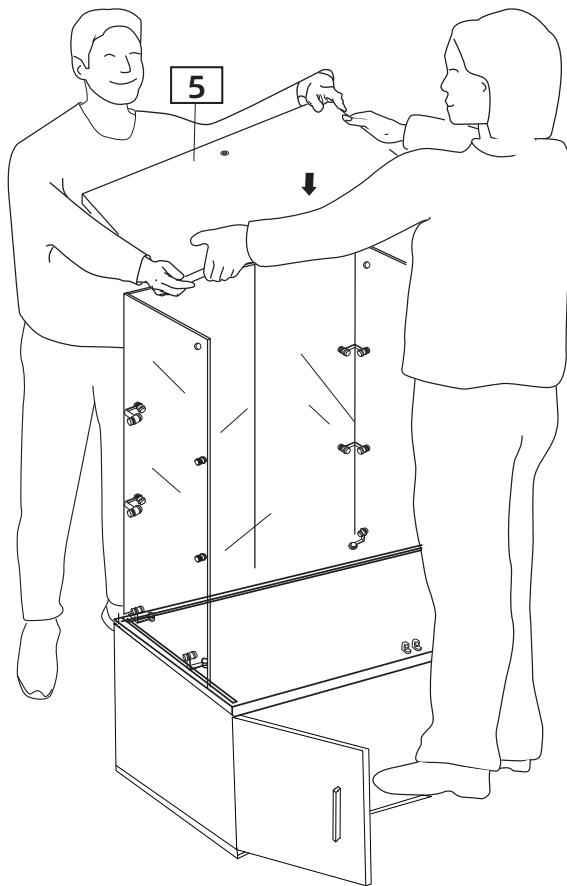


28

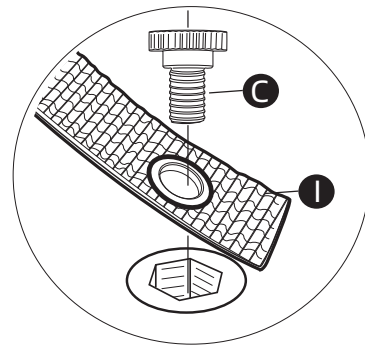


Refer to serial numbers 29 and 30 for installation procedures for wood top panels.

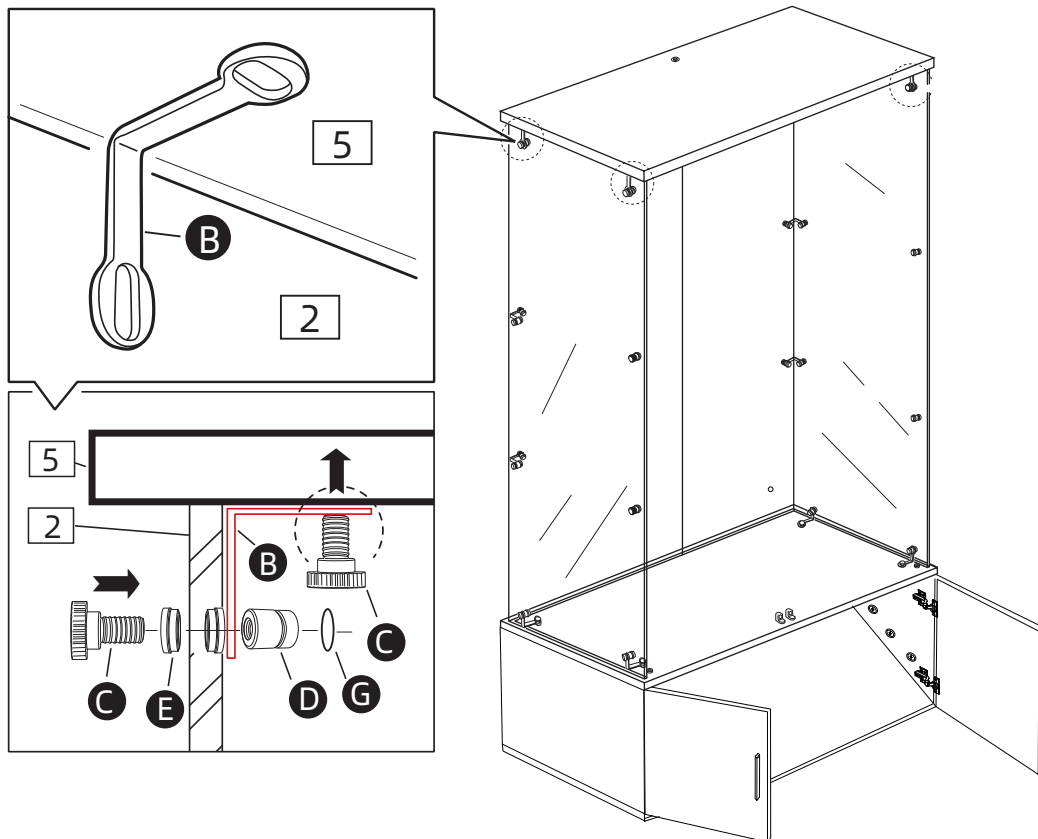
29



Anti-tipping device

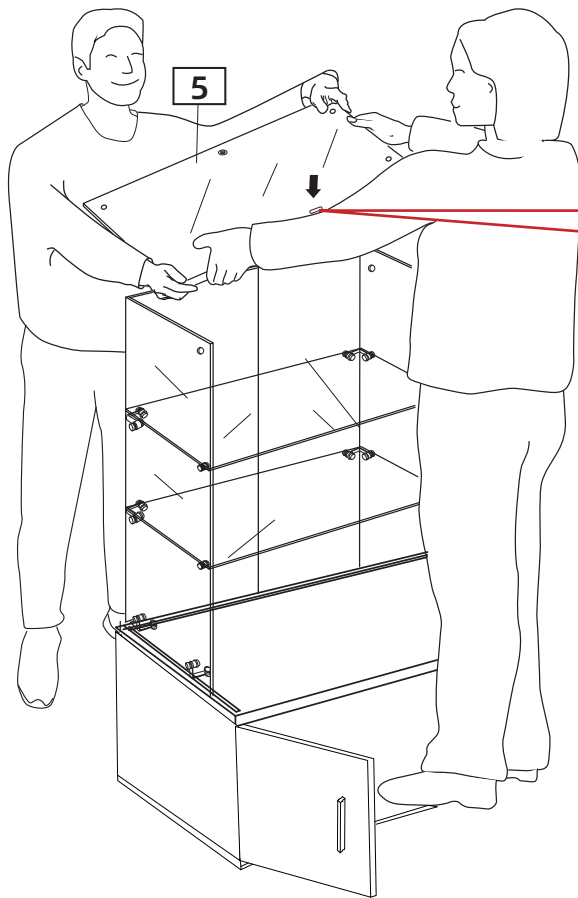


30



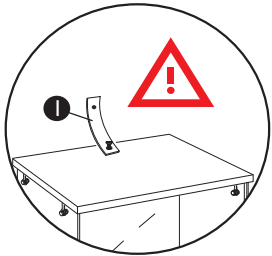
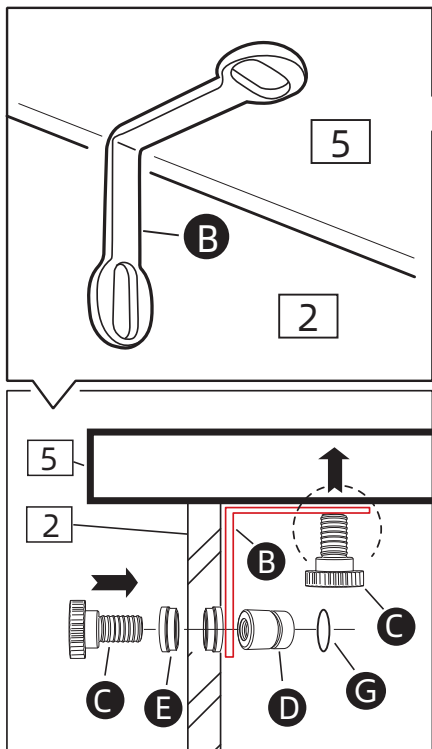
Refer to serial numbers 31 and 32 for installation procedures for glass top panels.

31

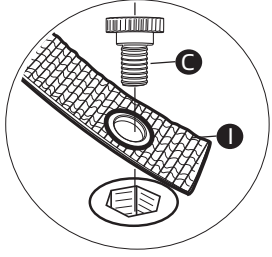


The lock hole is on the left side of the wine cabinet

32

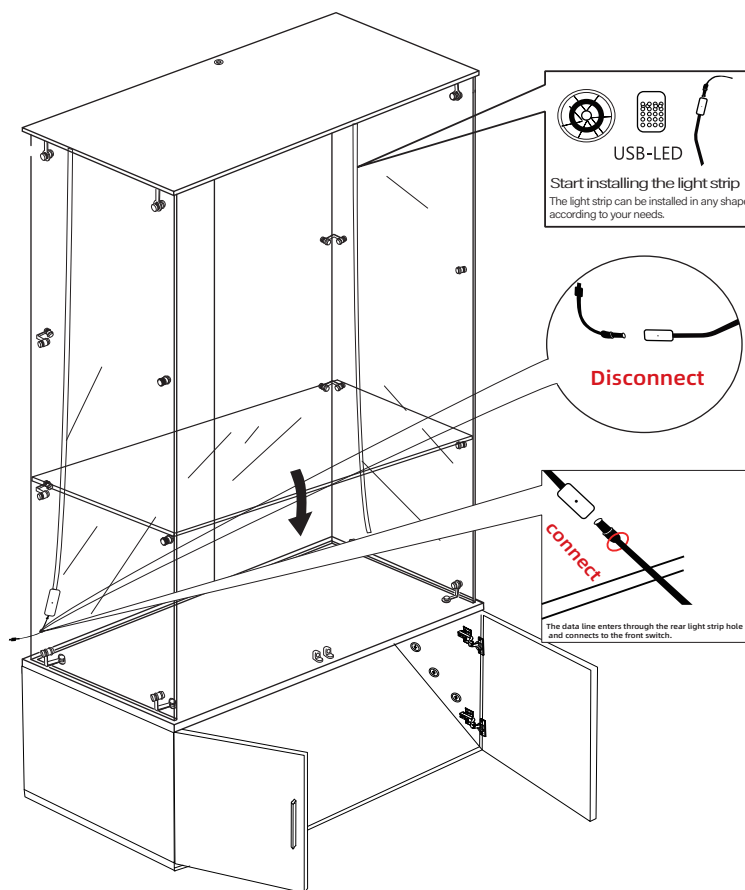


Anti-tipping device

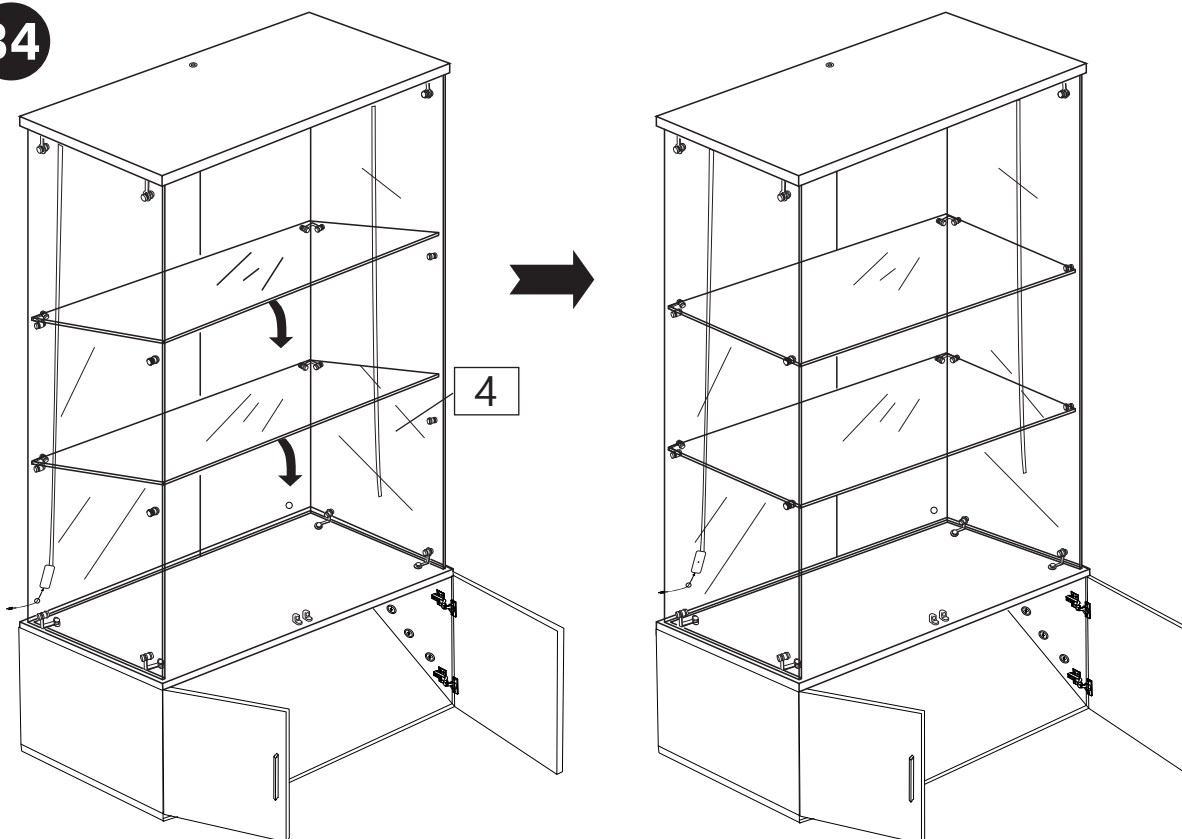


33

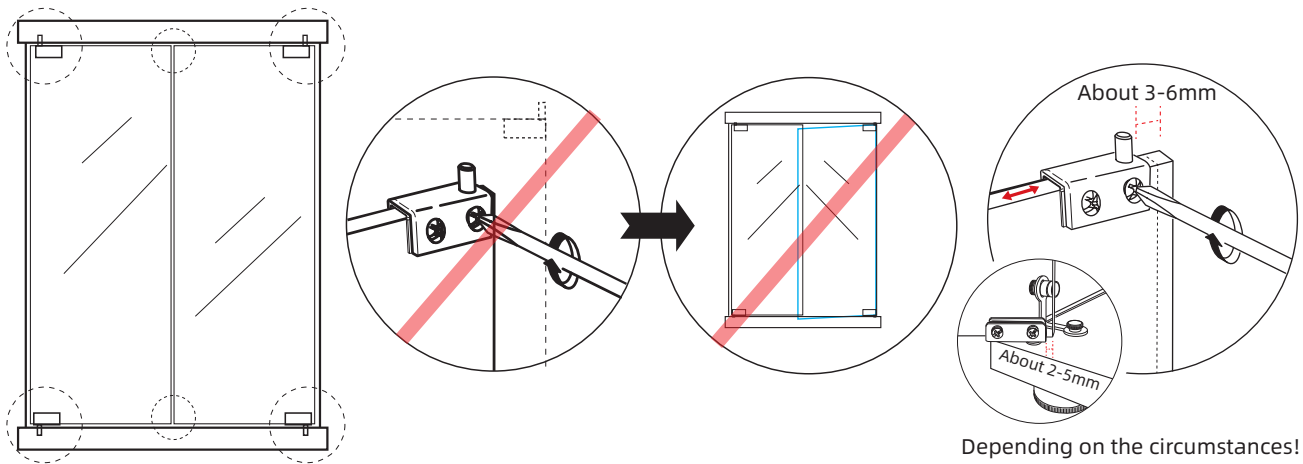
The light strip needs to be installed before installing the bulkhead, please ignore this step for models without light strip and install the bulkhead directly.



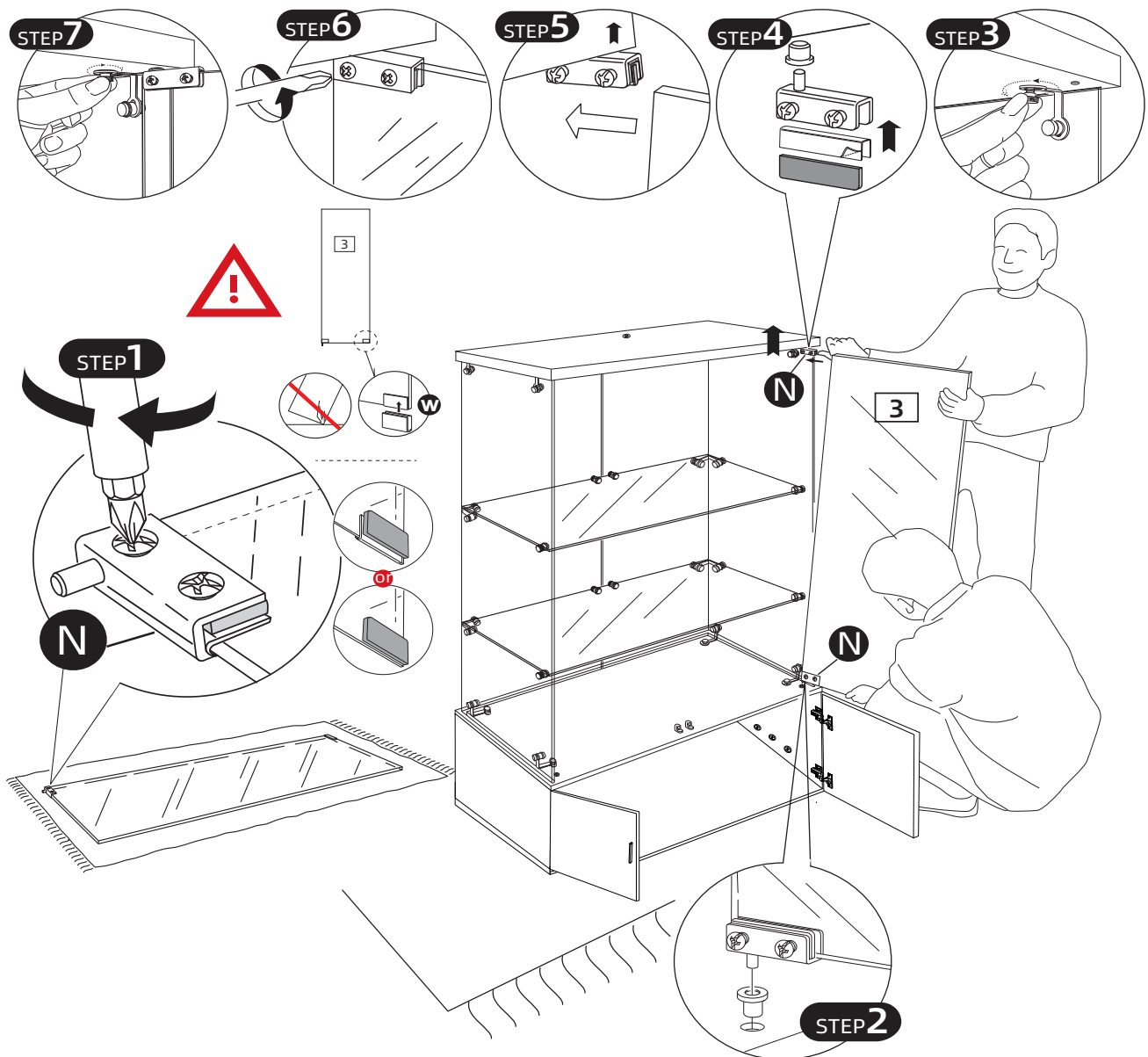
34



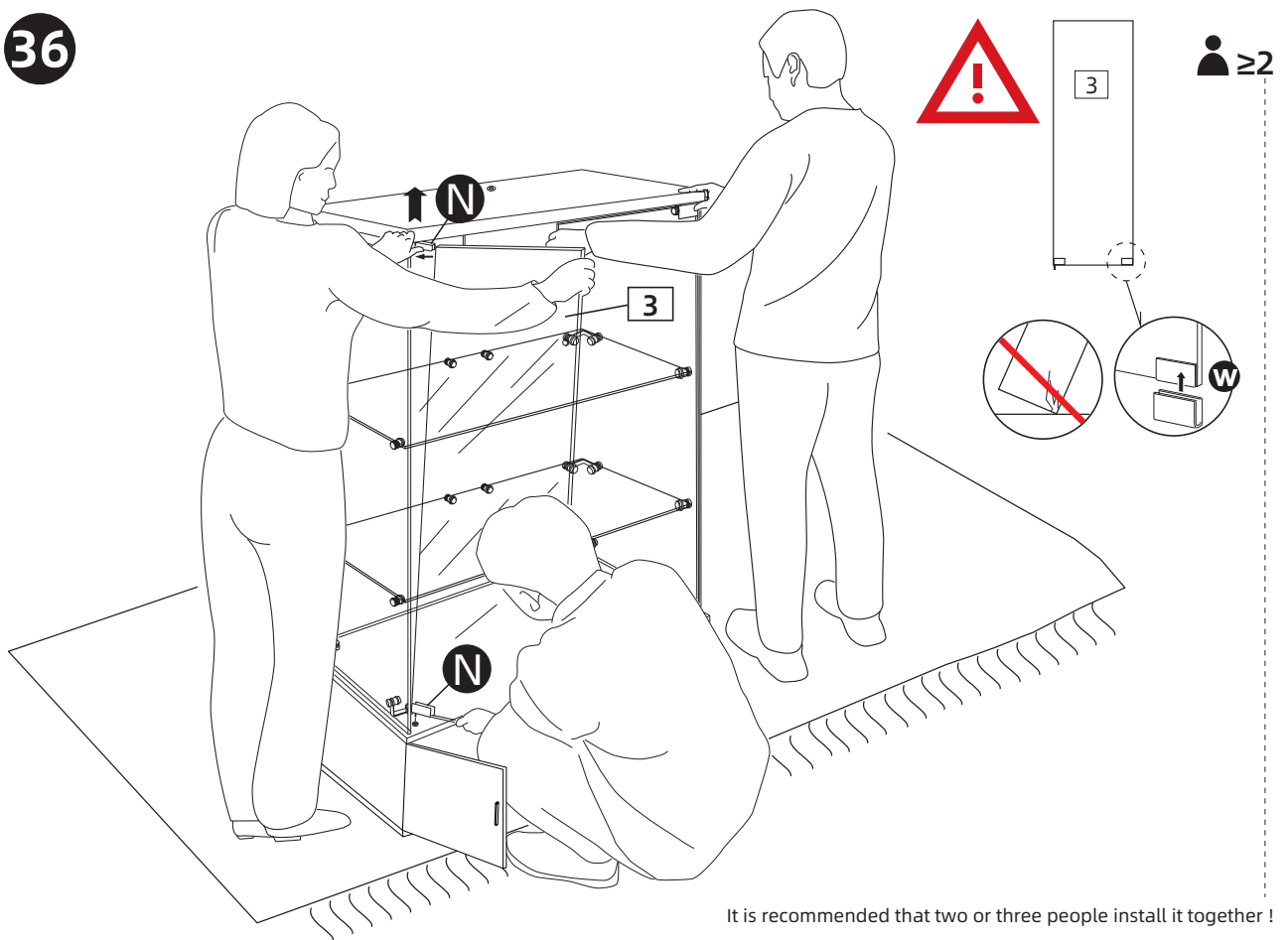
35



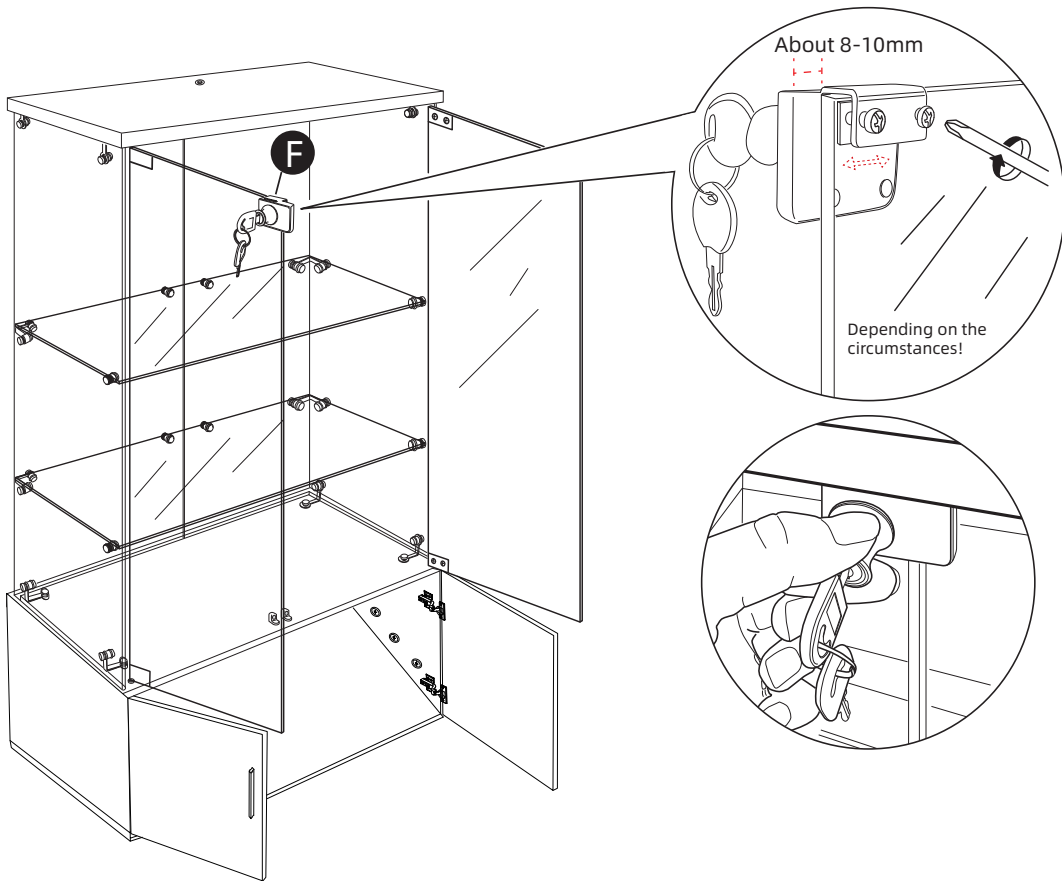
≥ 2 It is recommended that two or three people install it together !



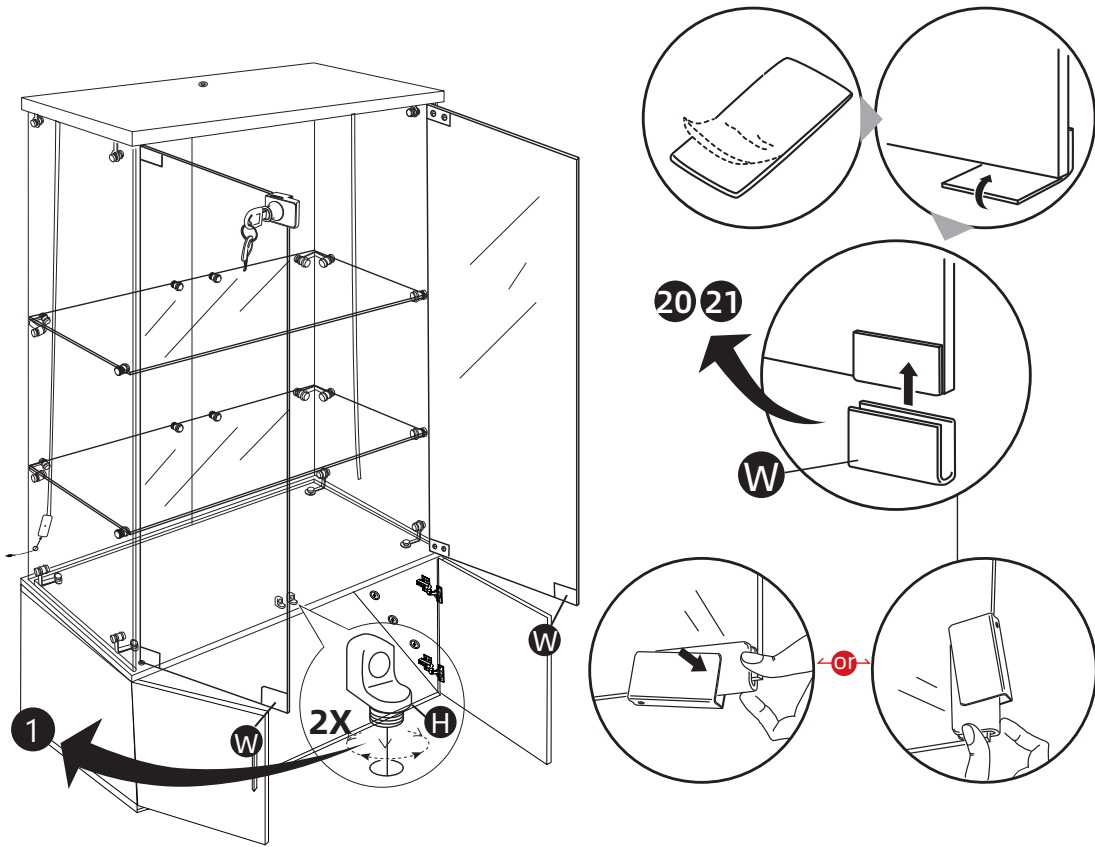
36



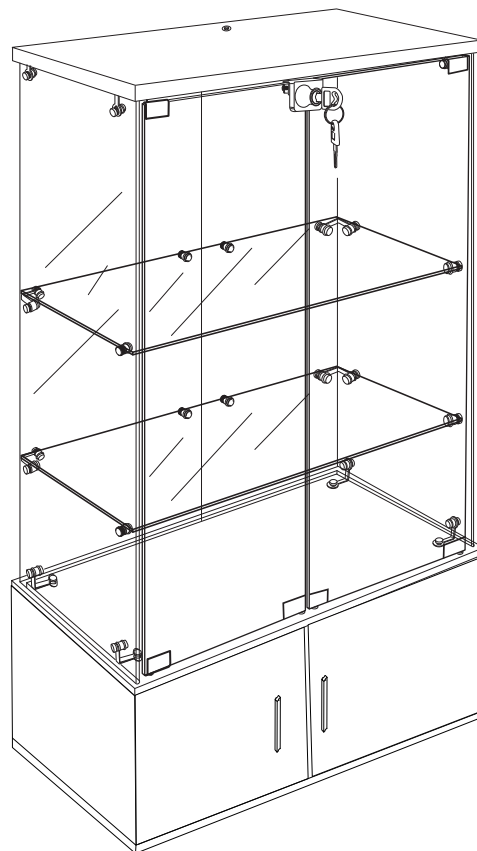
37



38

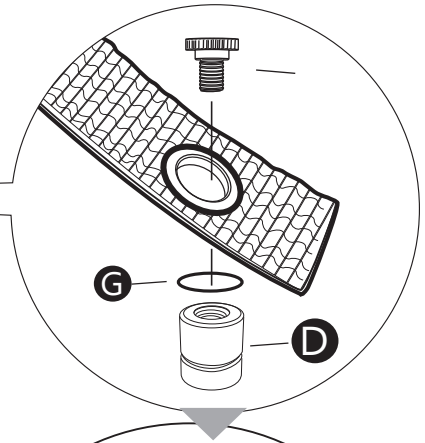
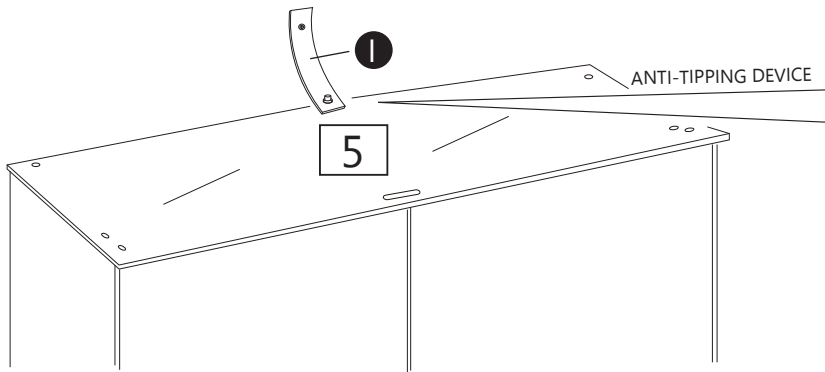


39



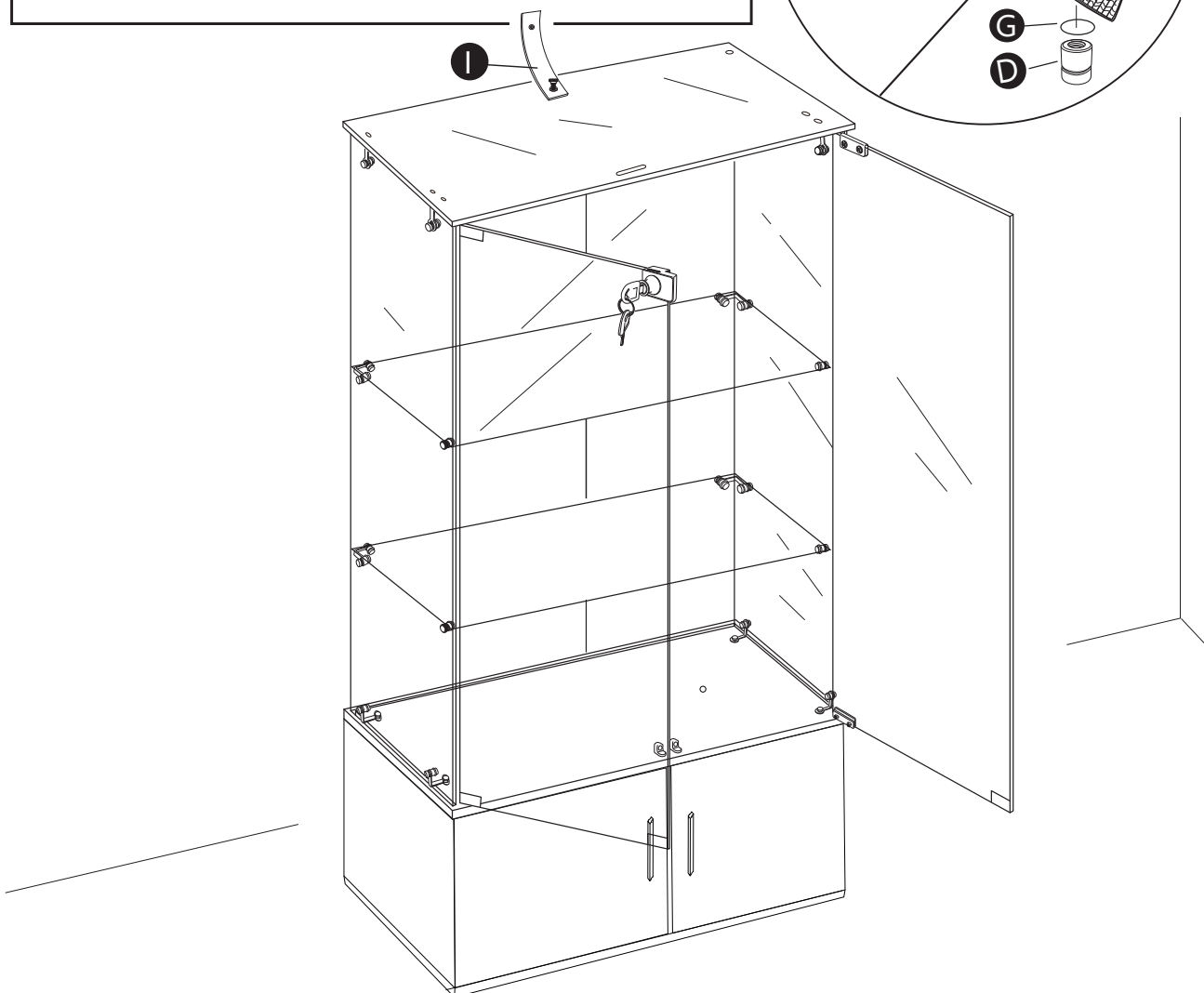
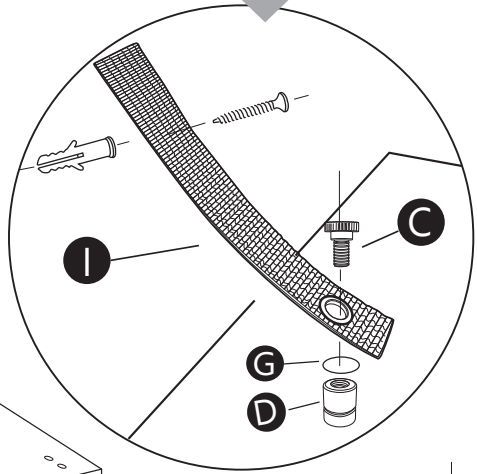
Refer to serial number 40 for glass top anti-tip strap installation.

40



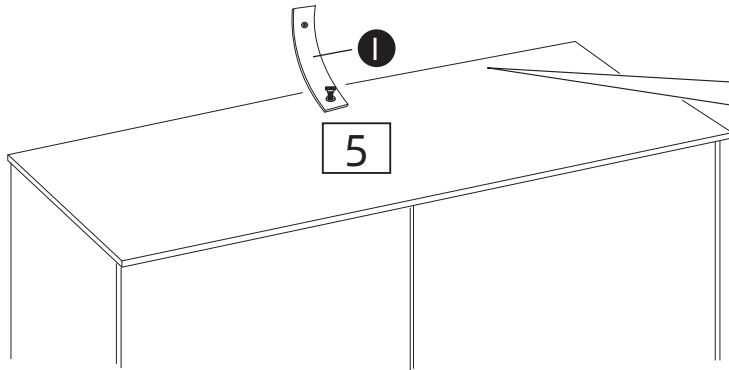
 **WARNING**

Serious or fatal crushing injuries can occur from furniture tip-over. To prevent this furniture from tipping over it must be permanently fixed to the wall.

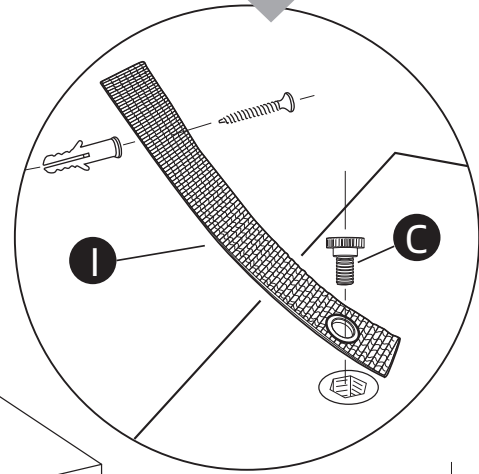
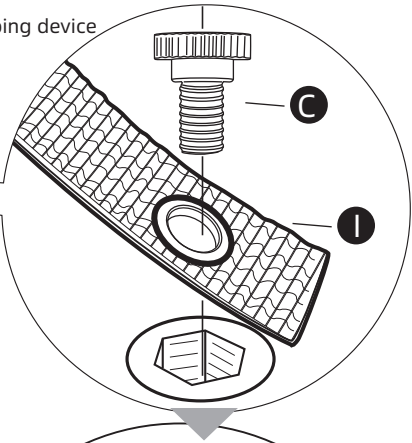


Refer to serial number 41 for wood top anti-tip strap installation.

41



Anti-tipping device



WARNING

Serious or fatal crushing injuries can occur from furniture tip-over.
To prevent this furniture from tipping over it must be permanently fixed to the wall.

