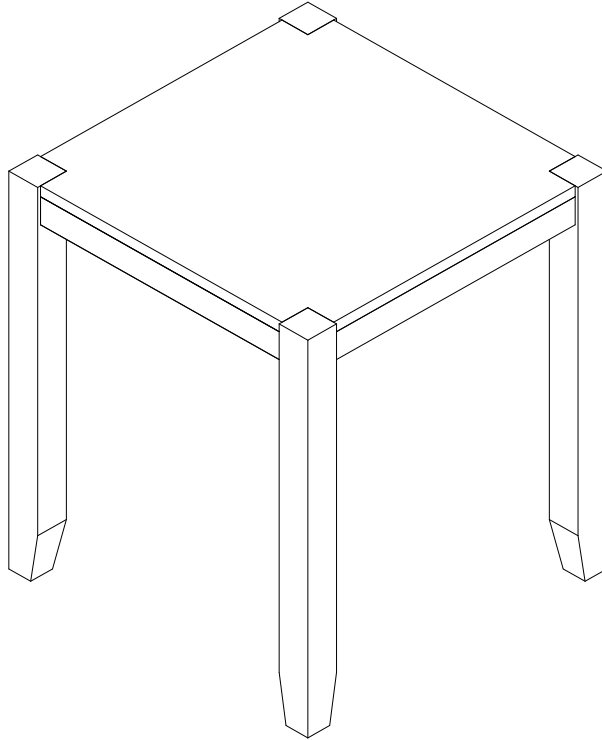


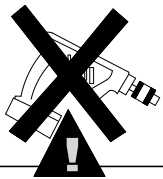
# ASSEMBLY INSTRUCTIONS

## SIDE TABLE

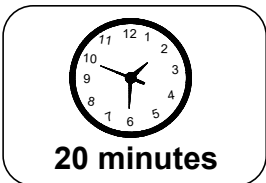
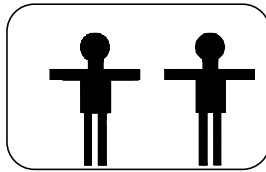


### REPLACEMENT PARTS

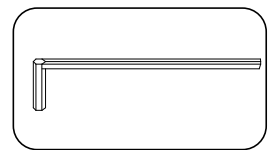
Please do not contact the company purchased from as we can help you faster.



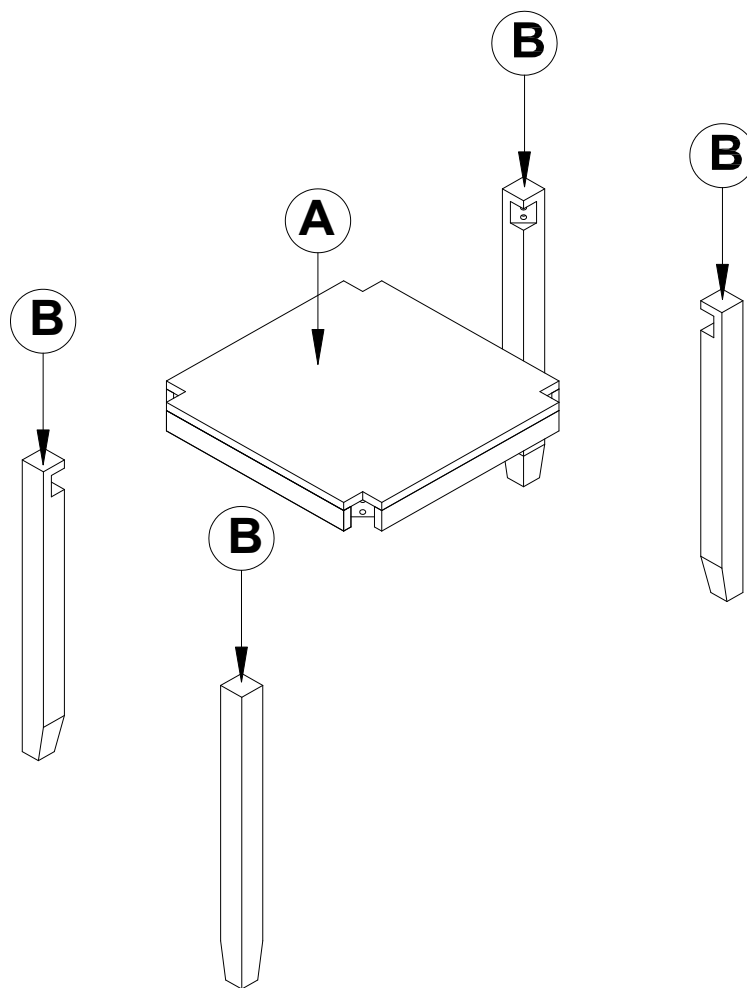
- . Use of power tool to assemble this product will invalidate any claim and damage this product making it unsafe!!!
- . Please assemble on a clean soft surface to avoid damage.



### Tool Included

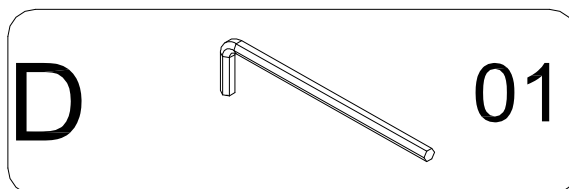
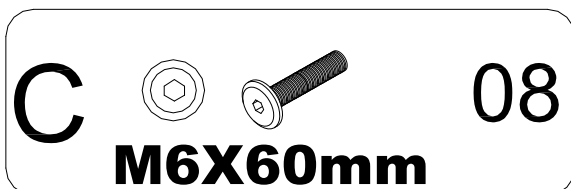


## Part List-Side Table

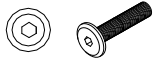



**Identifying the hardware-**Identify the hardware using the illustrations below.

---



# STEP 1

**C**  **08**  
**M6X60mm**

**D**  **01**

