

BED ASSEMBLY INSTRUCTIONS

PARTS INCLUDED



A HEADBOARD (1) PC



B FOOTREST (1) PC



C SIDE RAILS (2) PC



D MATTRESS SUPPORT (3) PC

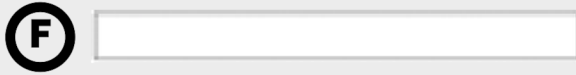


G WINGS (2) PC

PIECES E & F ARE AVAILABLE ONLY ON 87" H HEADBOARDS



E PLATFORM (1) PC



F WALL CLEAT (1) PC

TOOLS REQUIRED (NOT INCLUDED):



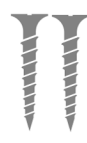
MALLET



SCREWDRIVER



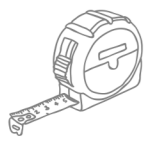
DRILL



SCREWS



WALL PLUGS

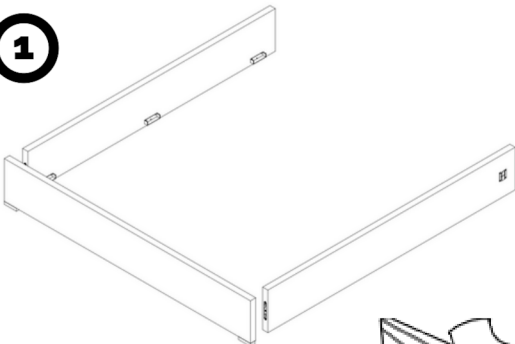


MEASURING TAPE

ASSEMBLY INSTRUCTIONS

MAY REQUIRE OF 2 ADULTS

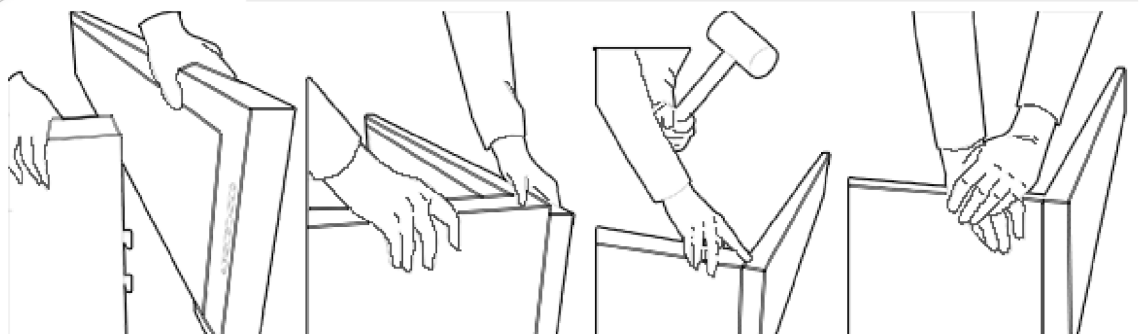
IDENTIFY ALL THE PARTS INCLUDED LISTED AT THE BEGINNING OF THIS DOCUMENT ACCORDING TO THE MODEL OF YOUR BED.



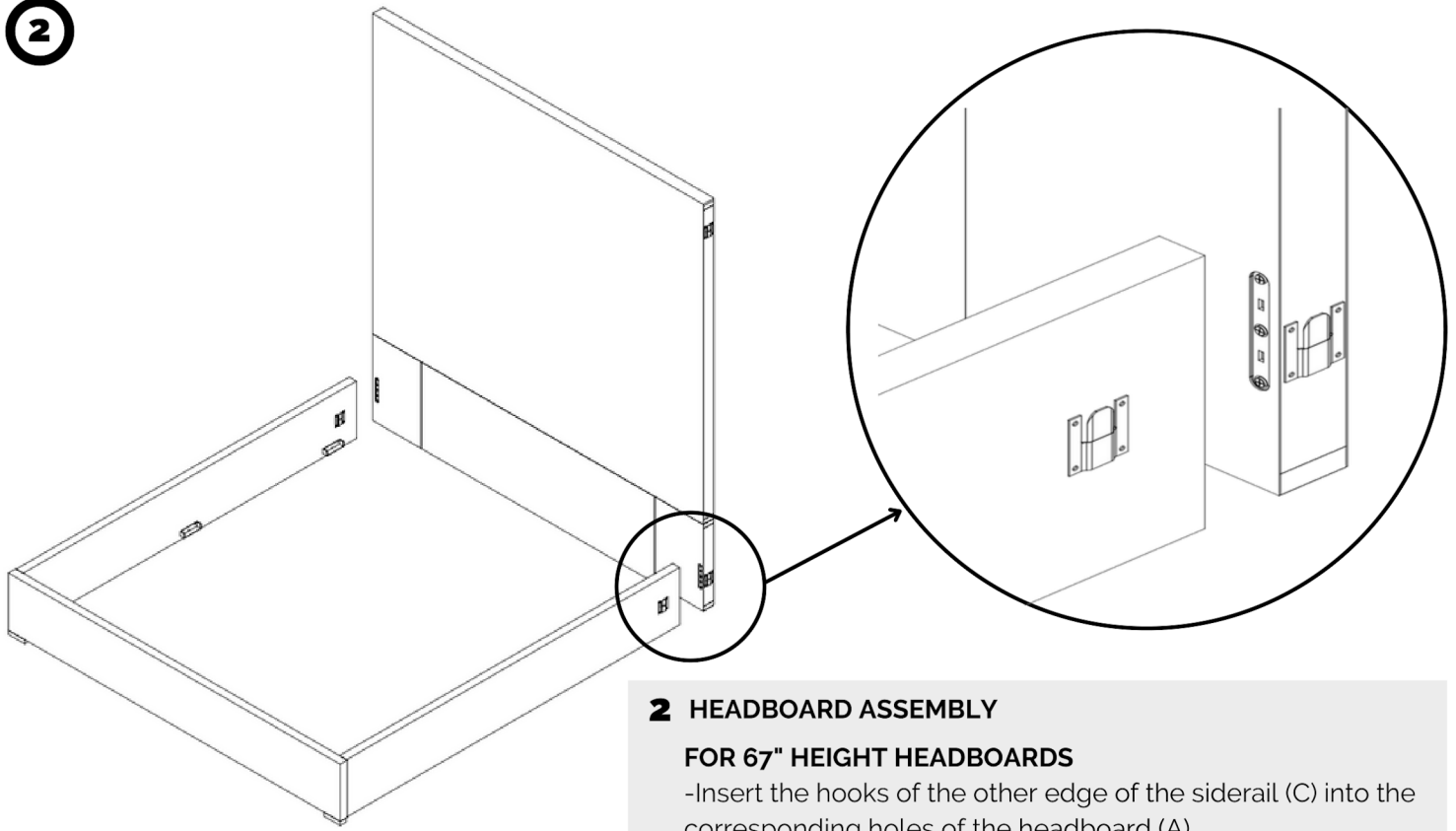
1

1 SIDERAILS & FOOTBOARD ASSEMBLY

- Carefully insert the hooks at the edge of the siderail (C) into the holes of the footrest (B) and push it down.
- Using a mallet, hit the top of the siderail (C) for better attaching results until both of them are perfectly aligned
- Make sure there are no spaces between both pieces
- Follow the same process with the second siderail (C).



2



2 HEADBOARD ASSEMBLY

FOR 67" HEIGHT HEADBOARDS

-Insert the hooks of the other edge of the siderail (C) into the corresponding holes of the headboard (A).

FOR 87" HEIGHT HEADBOARDS

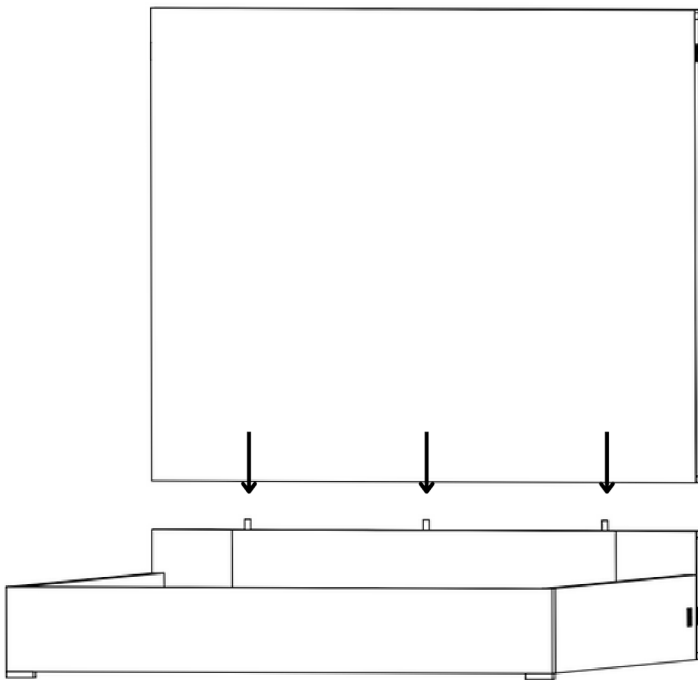
-Insert the hooks of the other edge of the siderail (C) into the corresponding holes of the platform (E).

FOR ANY HEADBOARDS OPTION

-Use the mallet to gently hit the top. Make sure it is firmly attached with no spaces between both pieces.

-Complete the same process with the other siderail (C).

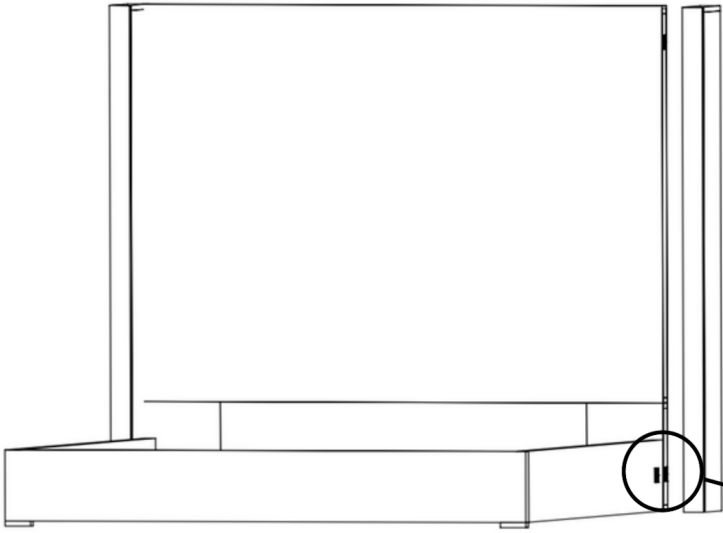
3



3 ONLY FOR 87" HEIGHT HEADBOARDS

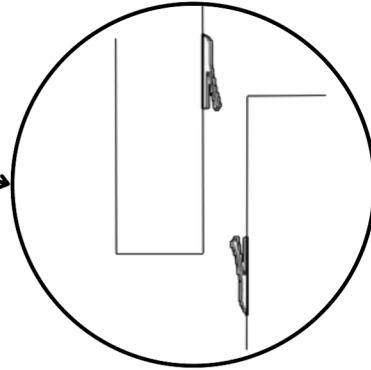
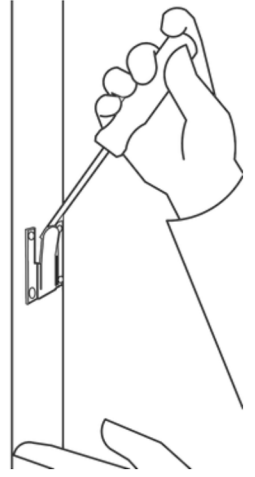
-Attach Headboard (A) into the platform (E) by aligning nodes with the foles & pushing pieces together

4

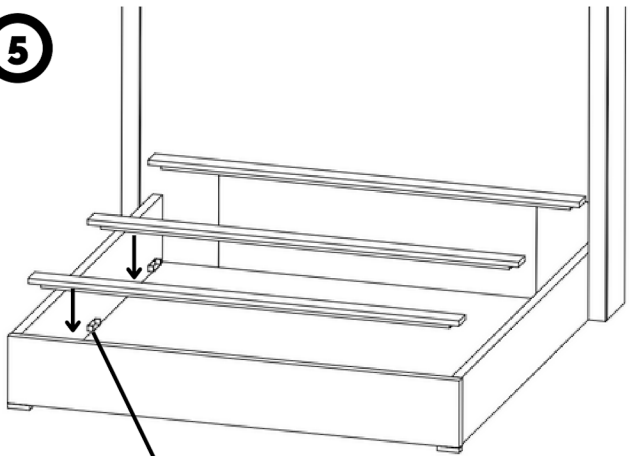


4 WINGS ASSEMBLY

-Please insert each wing (G) using the clips to the headboard (A) and siderails (C).
Use a screwdriver to open each clip for better engagement.



5

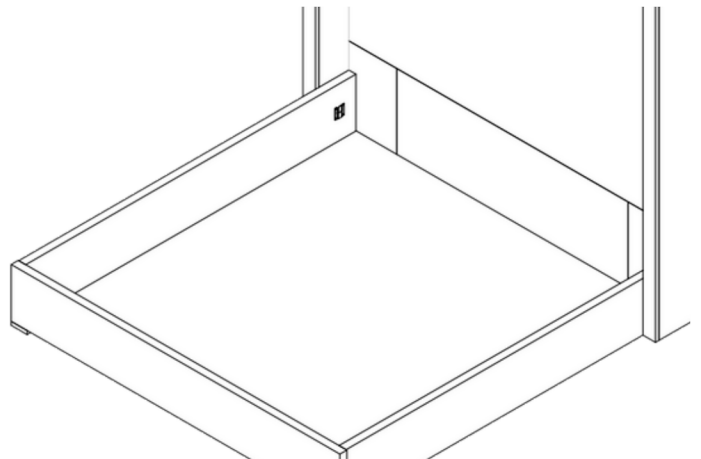
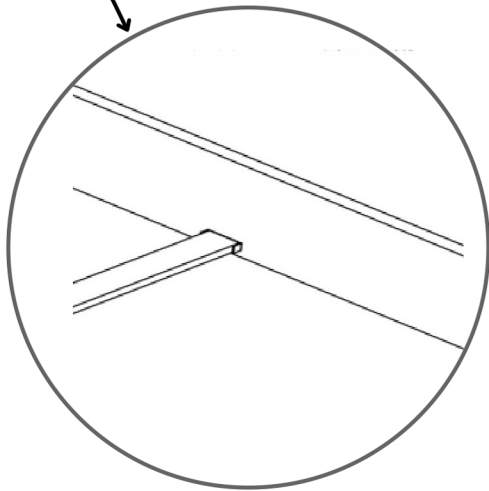


5 SUPPORTING SLATS PLACEMENT

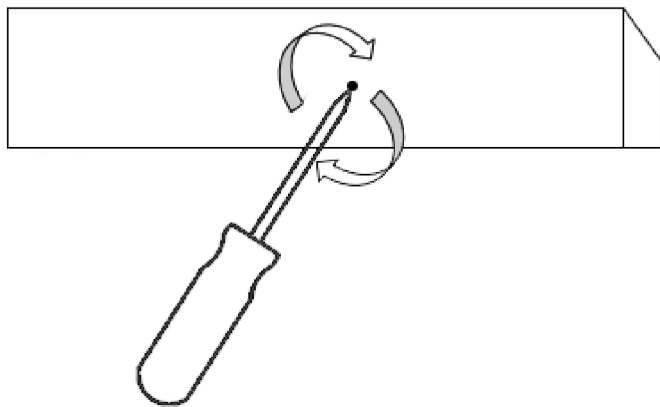
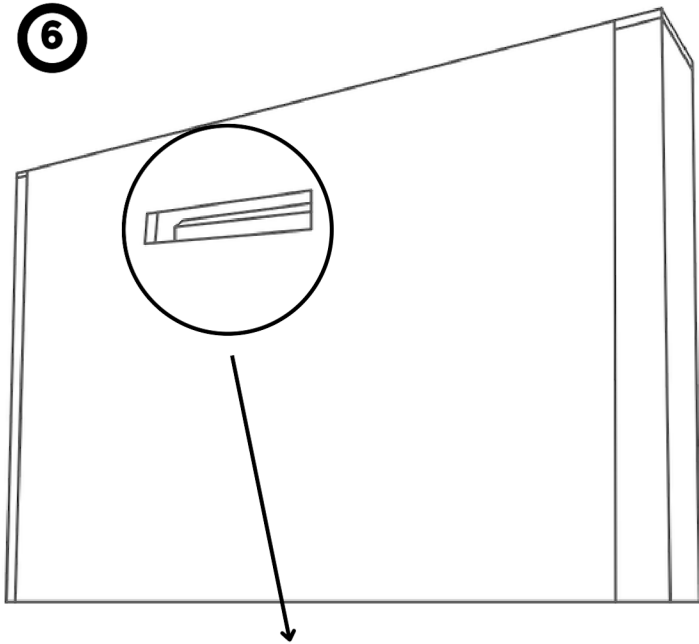
-Place the solid wood slats (d) in the corresponding supporting base inside of the siderails (C).

FOR ADJUSTABLE BEDS

Remove the 6 brackets with a screwdriver and do not use the mattress support (D)



6



THE WALL CLEAT IS NOT INCLUDED ON THE 67"
HEADBOARD MODEL

6 FOR 87"H HEADBOARDS ONLY

- Headboard (A) must be fixed to the wall
 - Using a screwdriver, remove the screw from the wall cleat (F) behind the headboard, (not included with the 67" tall model).
 - In the 87" tall models, mount the top of the headboard (A) on its base.
 - With the help of a measuring tape, mark the corresponding height for the cleat on the wall (F) and the position of the holes to be drilled.
 - Once drilled, insert the wall plug and fix the cleat (F) using the screws according to your wall materials.
 - Attach the headboard (A) to the cleat (F) by simply hooking them together.
- For 67" tall models, simply lean the headboard (A) on the wall while completing the frame assembly.

