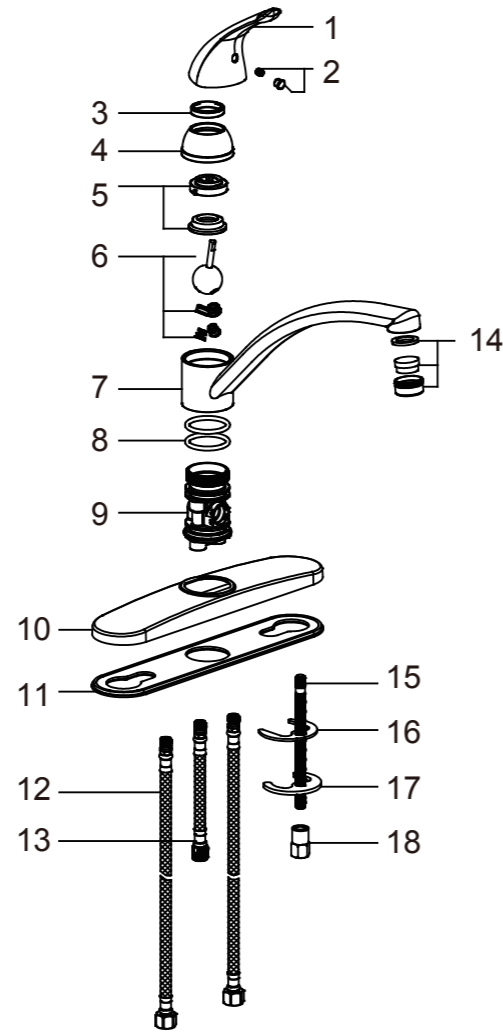


Replacement Parts / Pièces de rechange / Repuestos

NO.	Description	Part No.
1	Handle	33001CP/BN/NB
2	Button & Screw	50803 & 35012
3	Bonnet	33003
4	Cap	33003CP/BN/NB
5	Cam assembly	33004&33005
6	Ball valve&Seats	33004&04012
7	Spout	33150CP/BN/NB
8	O-Ring	33010
9	Body	B33012
10	Escutcheon	33120CP/BN/NB
11	Base plate	33112
12	Hose	S50954H&C
13	Outlet hose	33140
14	Aerator assembly	33121CP/BN/NB
15	Bolt	85207
16	Rubber washer	85211
17	Metal washer	85208
18	Mounting nut	85210



UF10200
UF10203
UF10205

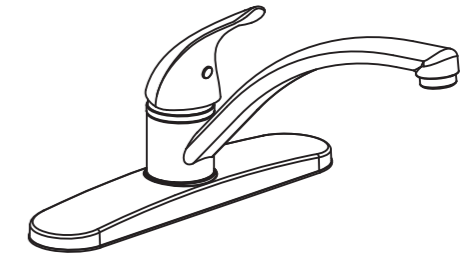
Classic Series
Single Handle Kitchen Faucet



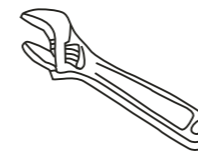
Installation/Installation/Instalación

CUSTOMER SERVICE
TOLL-FREE 1-888-OK-ULTRA (658-5872)

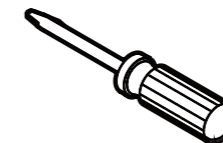
UF10200 - Chrome
UF10203 - Brushed Nickel
UF10205 - Oil Rubbed Bronze



Tools You Will Need / Outils dont vous aurez besoin / Herramientas necesarias



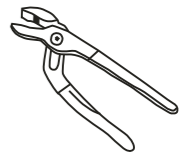
Adjustable Wrench
Clé à molette
Llave ajustable



Phillips Screwdriver
Tournevis Phillips
Destornillador cruciforme



Pipe Tape
Ruban pour tuyau
Cinta selladora para rosca



Groove join pliers
Pince multiprise
Pinzas ajustables

Limited Lifetime Warranty

Ultra Faucets warrants to the original purchaser that its products will be free from defects in workmanship and materials. All Ultra Faucets are provided with a life time limited warranty. This warranty does not cover any other labor or service charges associated with the removal, repair, or reinstallation of Ultra Faucets products. This express warranty does not apply to products that have been damaged as a result of misuse, abuse, negligence, accident, faulty installation or maintenance practices and/or used in any manner contrary to those recommended by the manufacturer.

Need help? Please call our toll-free customer service line at 1-888-658-5872 for additional assistance or service.
Besoin d'aide? Veuillez communiquer avec notre service à la clientèle au numéro gratuit 1-888-658-5872 pour tous renseignements ou services complémentaires.
¿Requiere asistencia? Llame a nuestro Servicio al Cliente, sin costo, al 1-888-658-5872 para asistencia adicional o servicio.

SAFETY TIPS

- If you use soldering for the installation of the faucet, the seats, cartridges and washers will have to be removed before using flame. Otherwise, warranty will be void on those parts.
- Cover your drain to avoid losing parts.
- 0°C~55°C.

CONSIGNES DE SÉCURITÉ

- Si vous posez le robinet par brasage, il est essentiel de retirer les sièges, les cartouches et les rondelles avant d'appliquer la flamme, faute de quoi la garantie sur ces pièces sera annulée.
- Couvrez le drain pour ne pas perdre des pièces.
- 0°C~55°C.

CONSEJOS DE SEGURIDAD

- En el caso de utilizar soldadura para instalar el grifo, remueva los asientos, cartuchos y arandelas antes de usar la llama. De lo contrario, se anulará la garantía para esos componentes.
- Tape la boca del desagüe para prevenir la pérdida de piezas pequeñas.
- 0°C~55°C.

Care & Maintenance:

* To keep the product clean & shining, follow the steps below:

- 1. Rinse with clean water & dry with a soft cloth.
- 2. Do not clean with soaps, acid, polish, abrasives, or harsh cleaners.
- 3. Do not use cloth with a coarse surface.
- 4. Unscrew the aerator and clean when necessary.



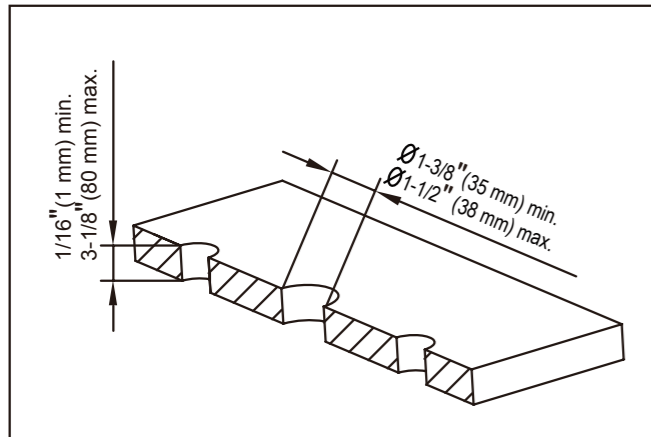
This installation manual is subject to change without further notice.

Please read your care and maintenance documentation to determine the limits of proper use.

This product has been manufactured and tested to the highest quality standards. We offer our customers thoughtfully crafted fixtures & accessories, engineered for enduring performance over years of use.

Prior to Installation:

- Turn off the hot and cold water supply at the angle stops and turn on the old faucet to release any built up pressure. Remove existing faucet. Clean sink or countertop to remove any debris, plumber's putty, or silicone.
- Place bucket under angle stops. Turn on to flush any debris prior to installing new plumbing. Shut off angle stops.
- Pre-drilled hole size requirement: 1-3/8"(min) – 1-1/2" (max)
- Max countertop thickness: 3-1/8"



1

Shut off water supplies. Remove old faucet. Clean sink surface in preparation for new faucet.

2

Place escutcheon(10) and base plate(11) on bottom of new faucet before positioning faucet through the mounting hole.

3

Insert the rubber washer(16), metal washer(17), and secure the faucet with the mounting nut(18).

4

Thread hot & cold waterlines onto angle stops. Tighten with adjustable wrench until snug. Turn on the angle stops and check for leaks. (DO NOT TURN FAUCET ON)

5

Important:After installation is completed, Remove aerator assembly(14). Turn water on for 1 minute to remove any debris.Reassemble aerator assembly(14).

Trouble-Shooting:

If you have followed the instructions carefully and your faucet still does not work properly,take the following corrective steps:

Leakage under handle	Locking nut has come loose or ball valve needs to be reseated	Loosen the set screw located at the base of the handle with a hex wrench. Remove the handle and unscrew ball valve holder by hand.Tighten locking nut with an adjustable wrench.
Water will not shut off completely	Ball valve may need to be adjusted or replaced	Loosen the set screw located at the base of the handle with a hex wrench. Remove the handle and unscrew ball valve cover by hand.Unscrew the locking nut with an adjustable wrench. Remove cball valve.Check for cracks,and if rubber washer is seated correctly,Reseat ball valve.