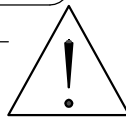
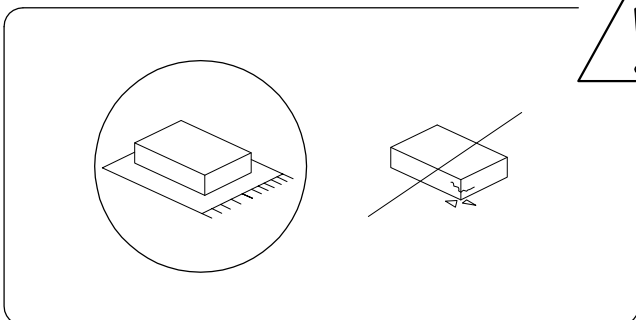
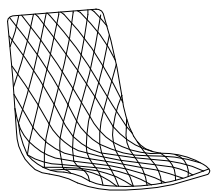


15'



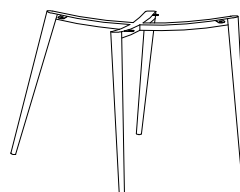
1

A



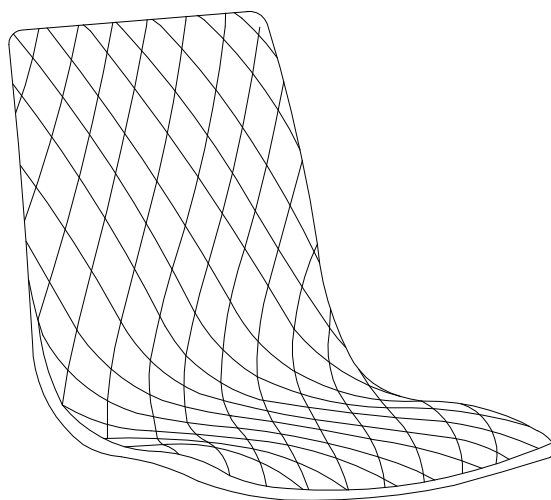
x 1

B

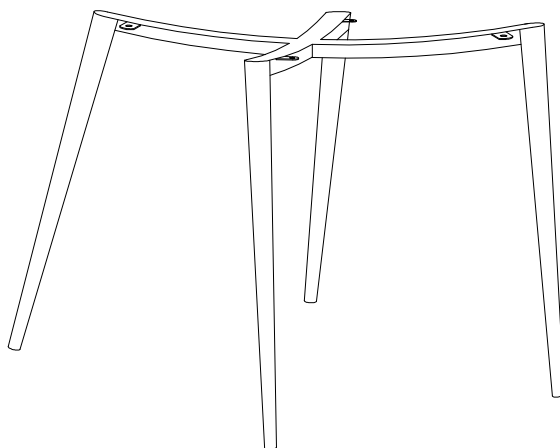


x 1

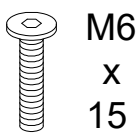
A



B



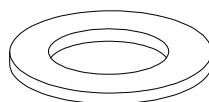
C



**M6
x
15**

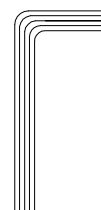
x 4

D



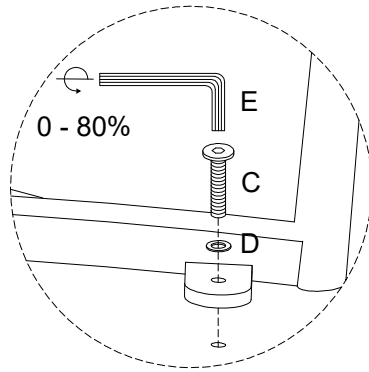
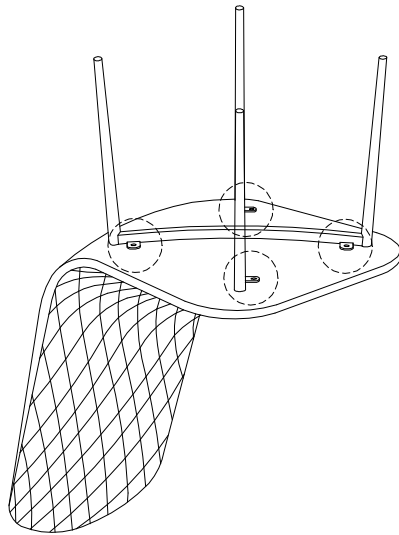
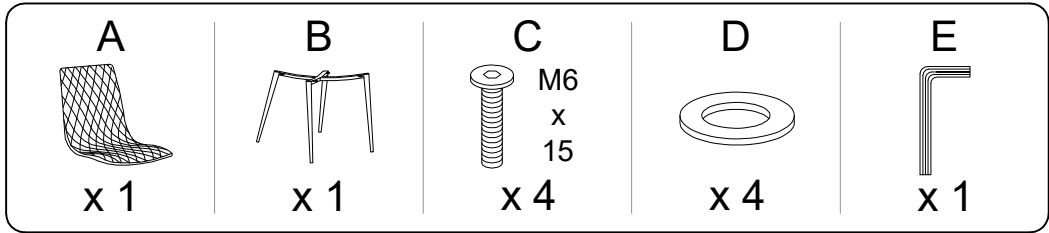
x 4

E



x 1

1



2

