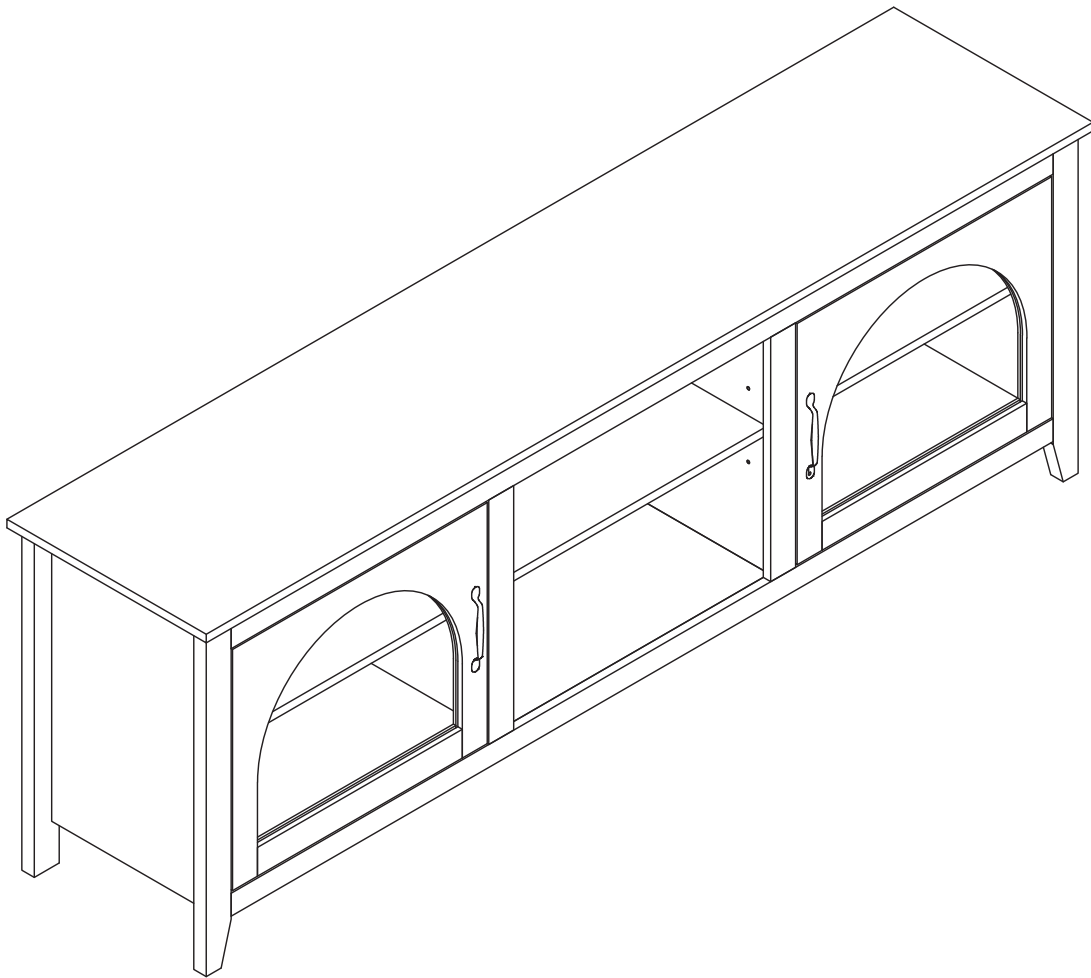


USER'S MANUAL

TV STAND



Guide of Manual

- Thanks for your choice. **We will do our best to provide customer service for everyone.**
- Please check to make sure all parts are included as stated when you unpack. If there are parts missing or wrong, please contact us, **we will expeditiously provide reissue accessories, compensation or other services.**
- Instruction should be read carefully. But the manual may not cover every detail of all possible situations and steps. **Please contact us if further information and help are needed. We will respond in a timely manner.**
- **Please be patient that the other items are on the way if you buy more than one product.**

Warning

- It's kindly advised to assemble this product on a carpeted floor to protect it from being scratched.
- Small parts are included. Please keep the product away from children while assembling. Do not let children play or jump on the product. Do not stand on the item or use as a step ladder.
- Please pay attention to the sharp corners during assembly. We recommend the use of gloves to prevent the undesired injury.
- Prior to use, please check to see if there's any loosening screw or part. Make sure that each screw and part is correctly installed and securely fastened.
- It's unnecessary to use electric drill. Please at a low gear if you need.

Care and Maintenance

- Use a soft, clean cloth that will not scratch the surface when dusting.
- There' s no need to use furniture polish. If you need, test it first in an inconspicuous area. Using solvents of any kind on your furniture may damage the finish. Never use water to clean your furniture as it may cause damage to the finish.
- Liquid spills should be removed immediately. Gently blot the spill with a soft clean cloth to avoid rubbing.

Further Advice about the Furniture Care

- It is best to keep your furniture in a climate-controlled environment.
- We recommend to keep furniture from sunlight exposure to avoid possible surface damage.
- Following these important and helpful tips will help retain your furniture's performance even when it ages.
- Periodically (every 90 days) make sure the screws are fully tightened.

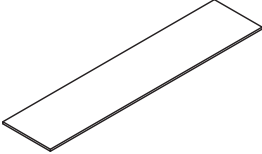
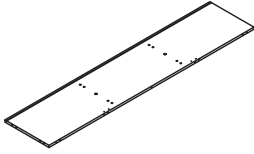
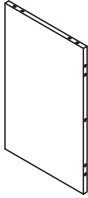
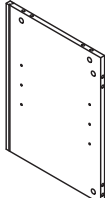
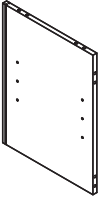
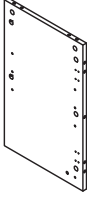
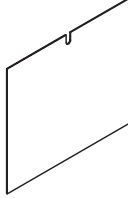
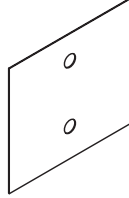
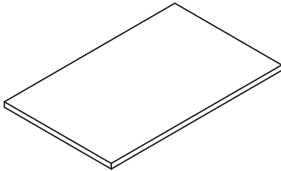




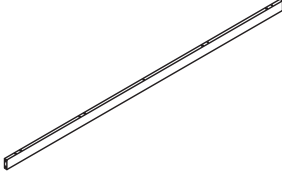
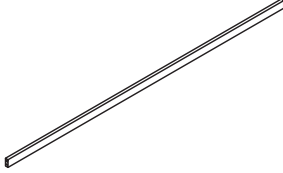



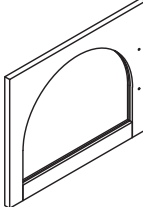
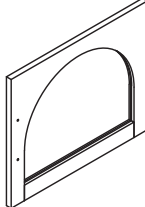
Max Weight Capacity

- 250lbs [Do not stand on the item]




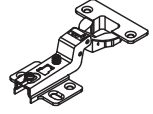
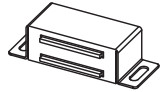


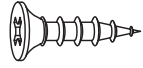

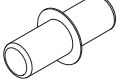


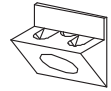
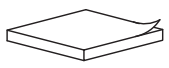
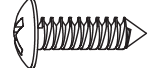



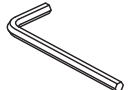
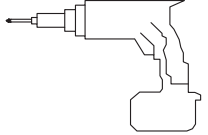
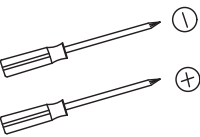
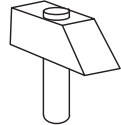
Parts and Hardware List:

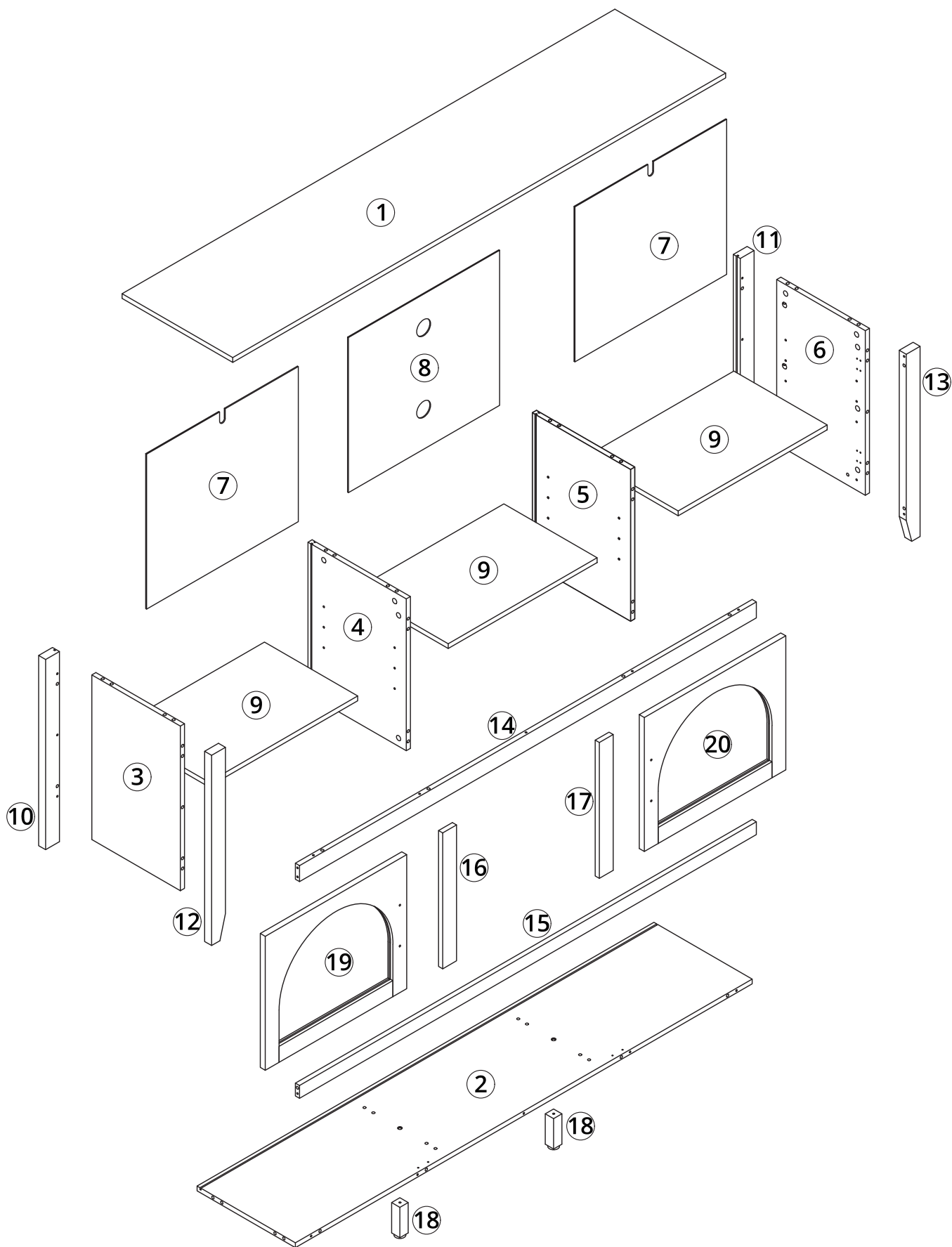
- Make sure all parts are in the package.
- "+" in below list indicates that additional pieces are replacement parts.

Parts List

<p>① ×1PC Top Panel</p> 	<p>② ×1PC Bottom Panel</p> 	<p>③ ×1PC Left Side Panel</p> 	<p>④ ×1PC Middle(Left) Panel</p> 
<p>⑤ ×1PC Middle(Right) Panel</p> 	<p>⑥ ×1PC Right Side Panel</p> 	<p>⑦ ×2PCS Back Panels</p> 	<p>⑧ ×1PC Middle Back Panel</p> 
<p>⑨ ×3PCS Shelf Panels</p> 	<p>⑩ ×1PC Left Rear Leg</p> 	<p>⑪ ×1PC Right Rear Leg</p> 	<p>⑫ ×1PC Left Front Leg</p> 
<p>⑬ ×1PC Right Front Leg</p> 	<p>⑭ ×1PC Front Upper Standing</p> 	<p>⑮ ×1PC Front Lower Standing</p> 	<p>⑯ ×1PC Left Middle Vertical Bar</p> 
<p>⑰ ×1PC Right Middle Vertical Bar</p> 	<p>⑱ ×2PCS Support Legs</p> 	<p>⑲ ×1PC Front Side Door</p> 	<p>⑳ ×1PC Front Right Door</p> 

Hardware List

<p>A ×42+4PCS</p>  <p>M6*35mm</p>	<p>B ×42+4PCS</p>  <p>φ15mm</p>	<p>C ×40+4PCS</p>  <p>φ8*30mm</p>	<p>D ×4PCS</p> 	<p>E ×2PCS</p>  <p>45*17*15mm</p>
<p>F ×2PCS</p>  <p>34*12*1mm</p>	<p>G ×6+1PCS</p>  <p>M7*50mm</p>	<p>H ×44+4PCS</p>  <p>M3.5*14mm</p>	<p>I ×42+4PCS</p>  <p>φ20mm</p>	<p>J ×12+1PCS</p> 
<p>K ×4PCS</p>  <p>M4*20mm</p>	<p>L ×2PCS</p>  <p>L=128mm</p>	<p>M ×12+1PCS</p> 	<p>N ×4PCS</p>  <p>30*25*3T</p>	<p>O ×2PCS</p>  <p>M4.5*12mm</p>
<p>P ×2PCS</p>  <p>65*30*15mm</p>	<p>Q ×2PCS</p>  <p>φ8*30mm</p>	<p>R ×2PCS</p>  <p>M4.0*35mm</p>	<p>S ×1PC</p>  <p>M4</p>	<p>Not provided</p> 
<p>Not provided</p> 	<p>Not provided</p> 			



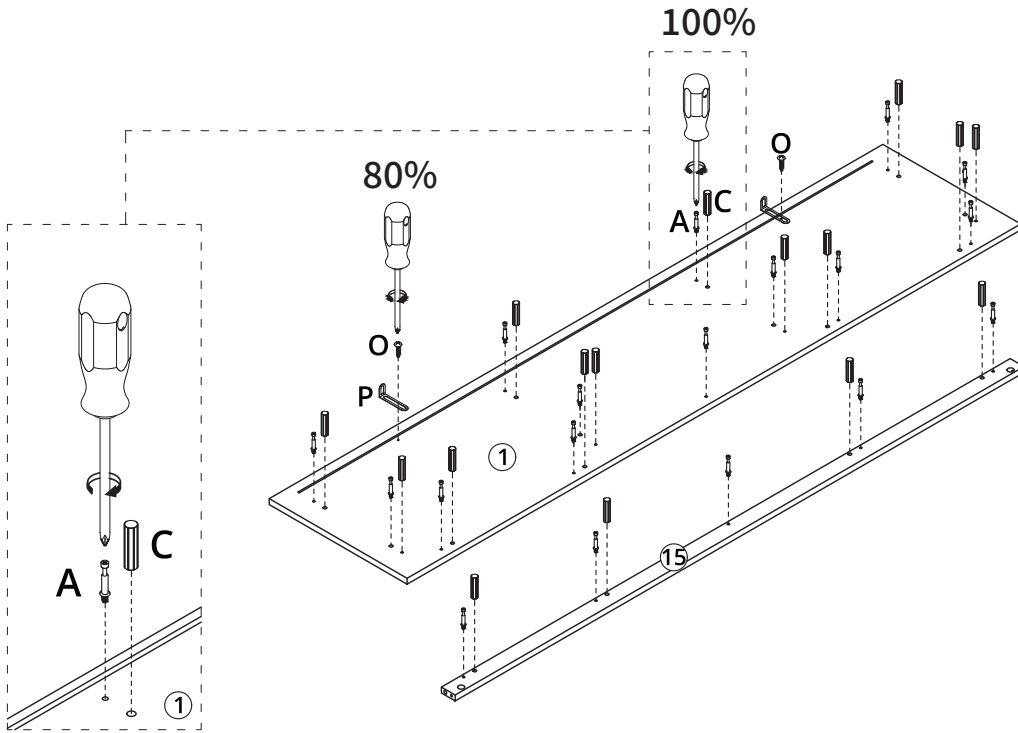
1



Assemble on a soft surface/mat to avoid scratching the product finish

In this step, please tighten A to 100%, and tighten O to 80%.

A		x18
C		x16
O		x2
P		x2
		x1



	80%		X
100%			✓

	80%	✓
80%		100%
		X

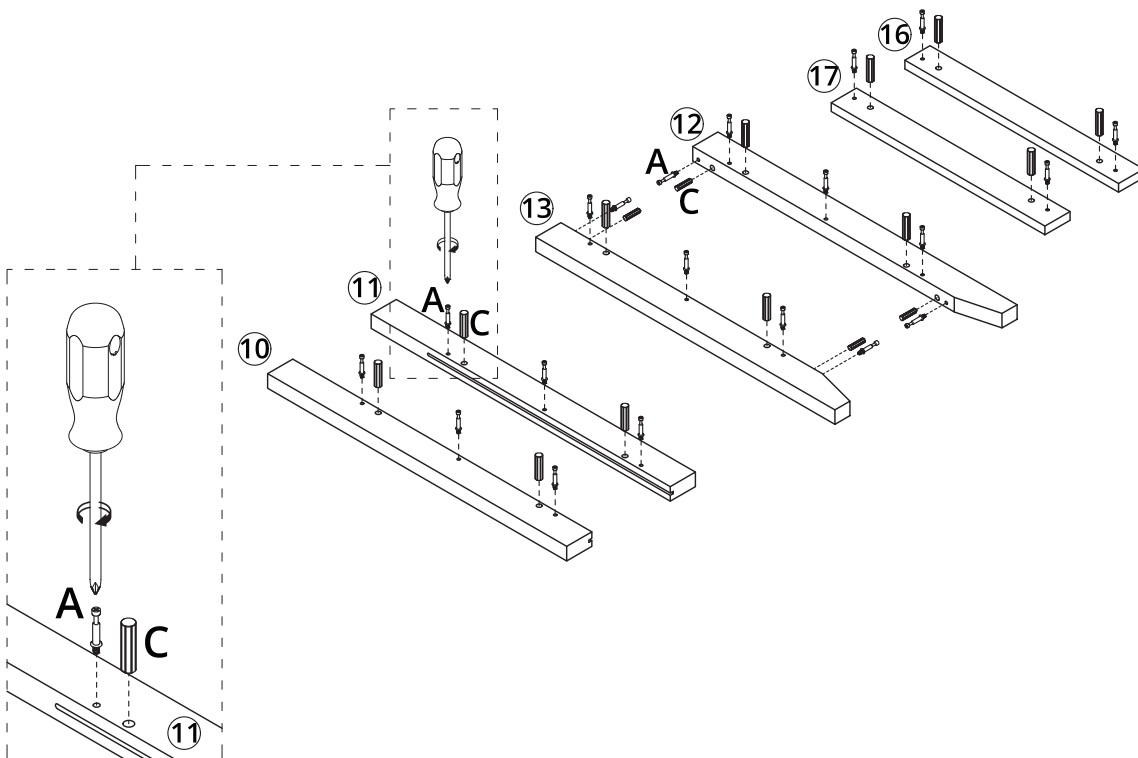
2



Assemble on a soft surface/mat to avoid scratching the product finish

A		x20
C		x16
		x1

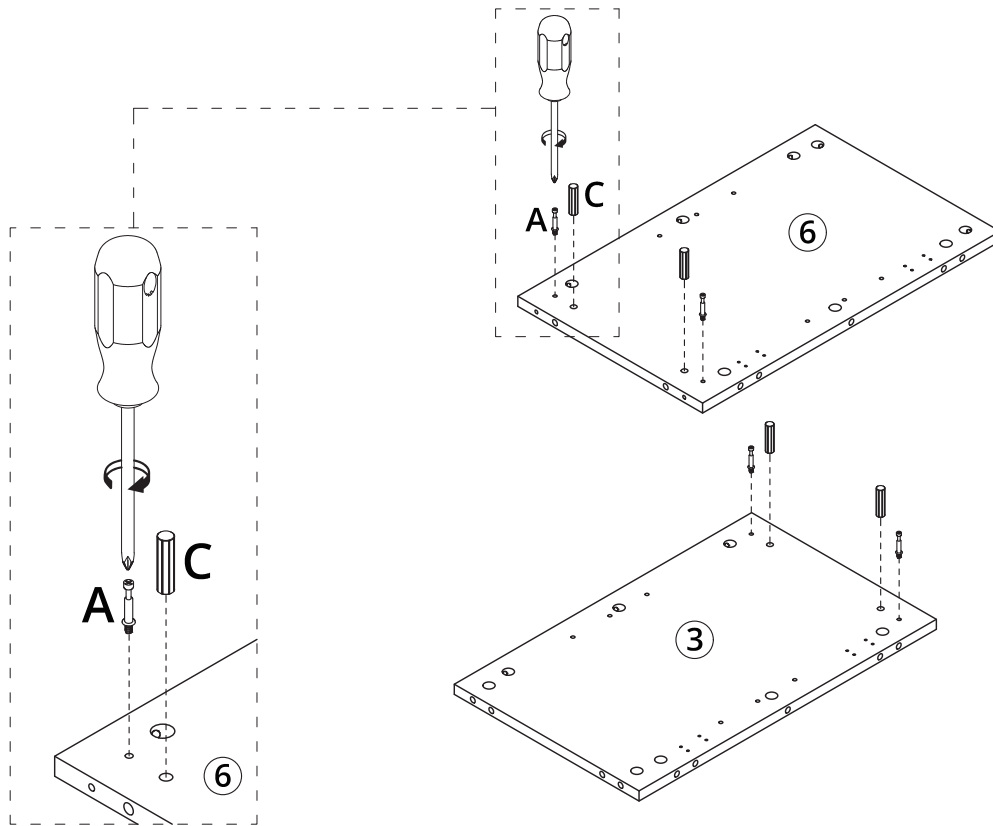
	80%		X
100%			✓



3



Assemble on a soft surface/mat to avoid scratching the product finish

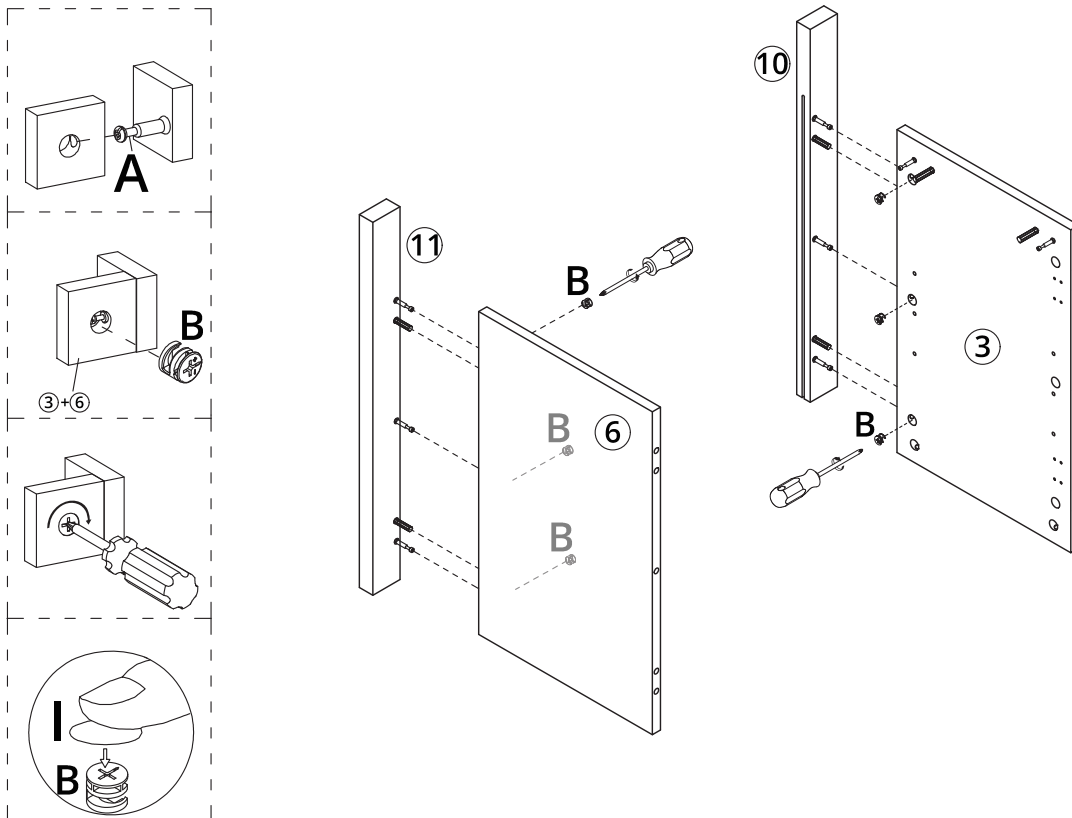


A		x4
C		x4
		x1

	80%	
	100%	

4

Insert Cam Locks B into the pre-drilled holes in the panel ③ and ⑥, tighten all of them to 100% and then stick hole covers I onto those holes.

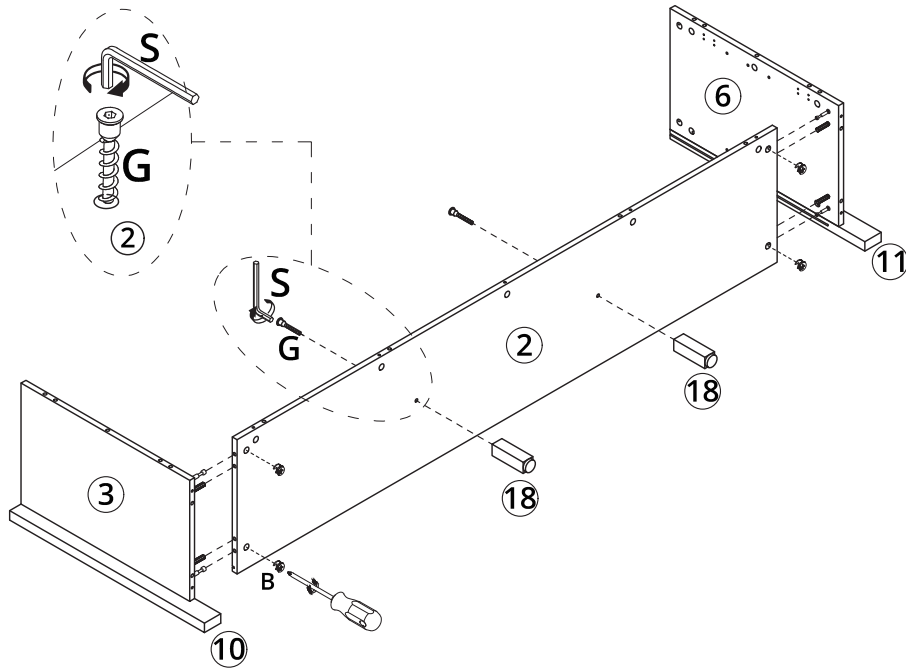
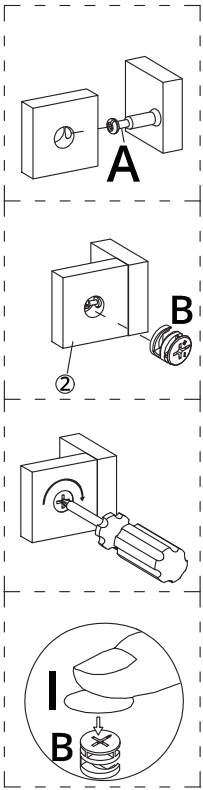


I		x6
B		x6
		x1

	80%	
	100%	

5

Insert Cam Locks B into the pre-drilled holes in panel ②, fully tighten all of them, then stick hole covers I onto those holes.



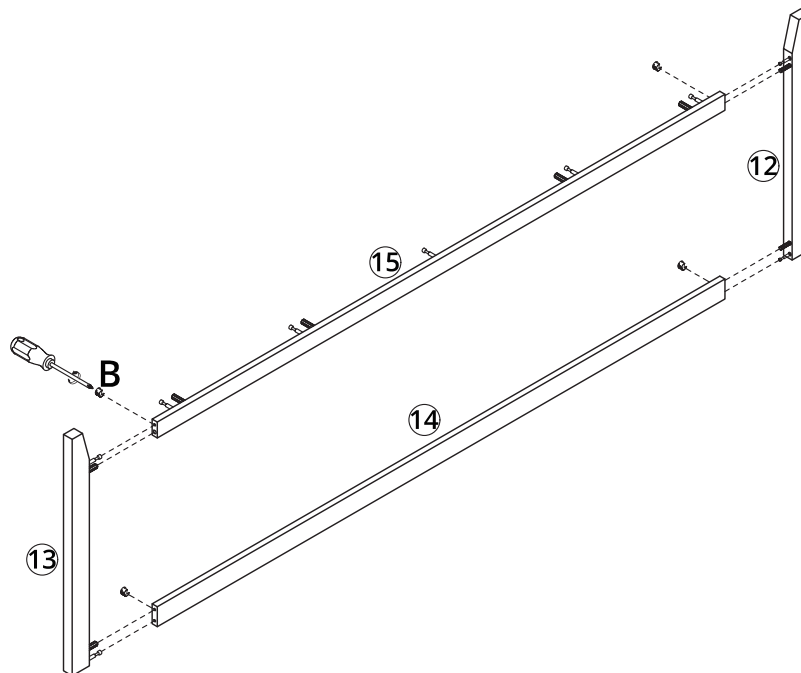
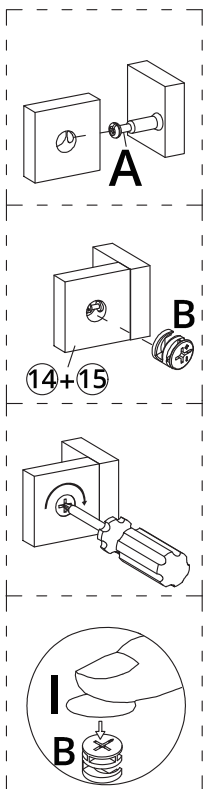
I		x4
B		x4
G		x2
		x1
S		x1

	80%	
	100%	

	80%	
	100%	

6

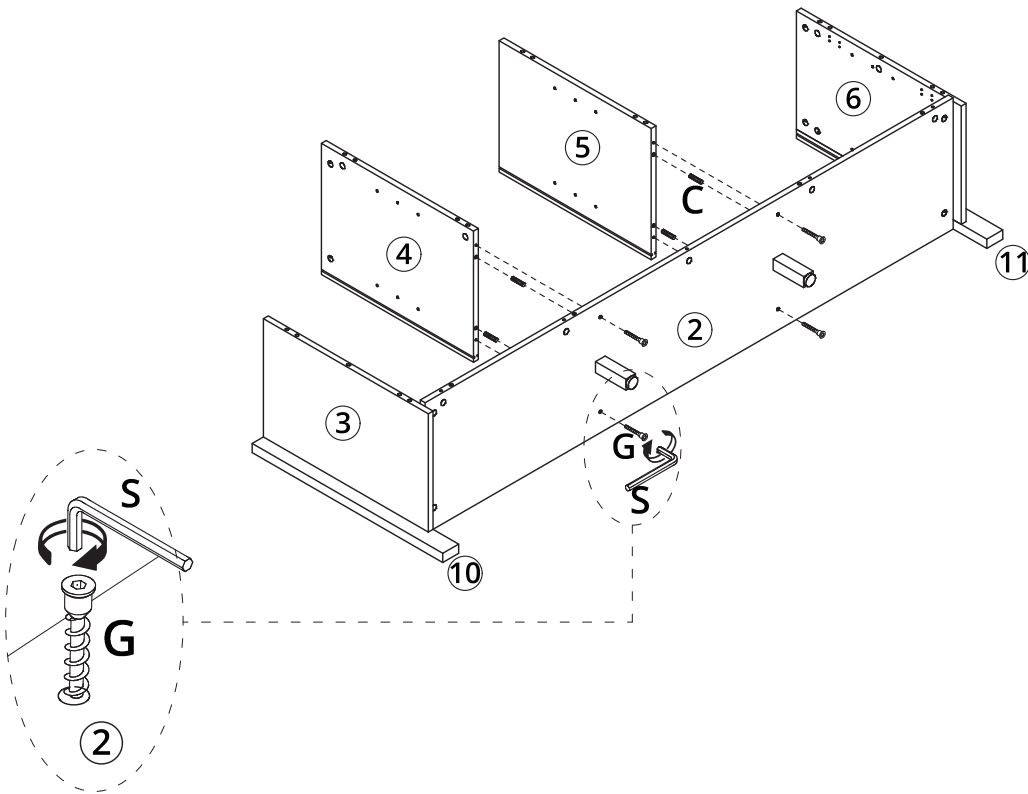
Insert Cam Locks B into the pre-drilled holes in the panel ⑭ and ⑮, tighten all of them to 100% and then stick hole covers I onto those holes.



I		x4
B		x4
		x1

	80%	
	100%	

7

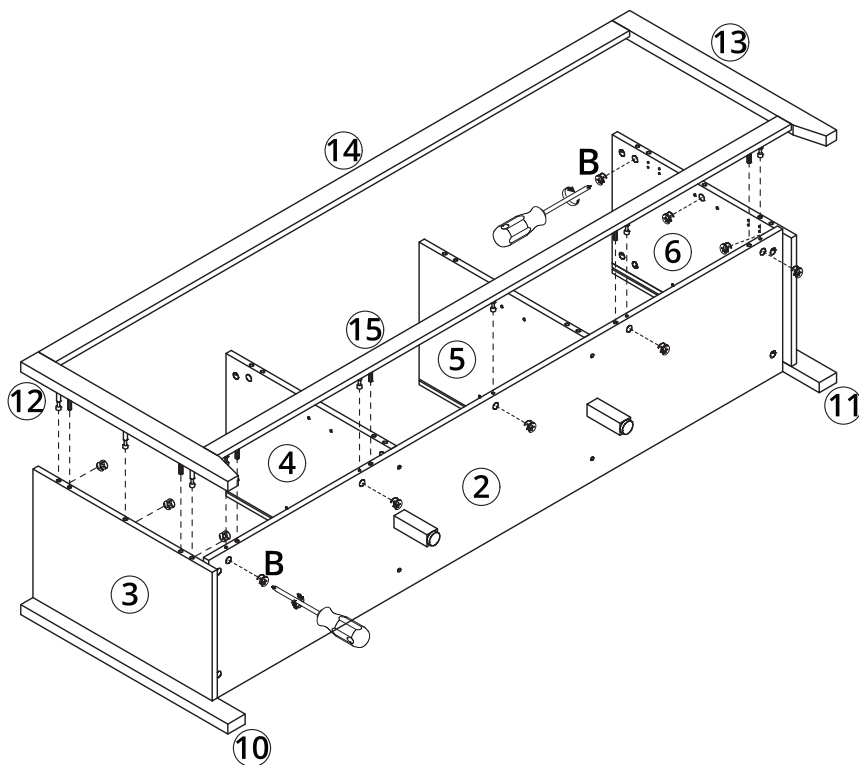
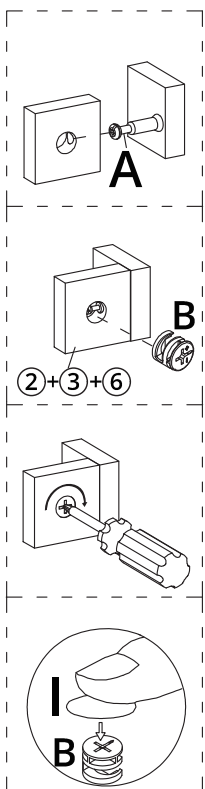


G		x4
C		x4
S		x1

	80%	
X		
100%	100%	
✓		

8

Insert Cam Locks B into the pre-drilled holes in the panel ② ③ and ⑥, tighten all of them to 100% and then stick hole covers I onto those holes.






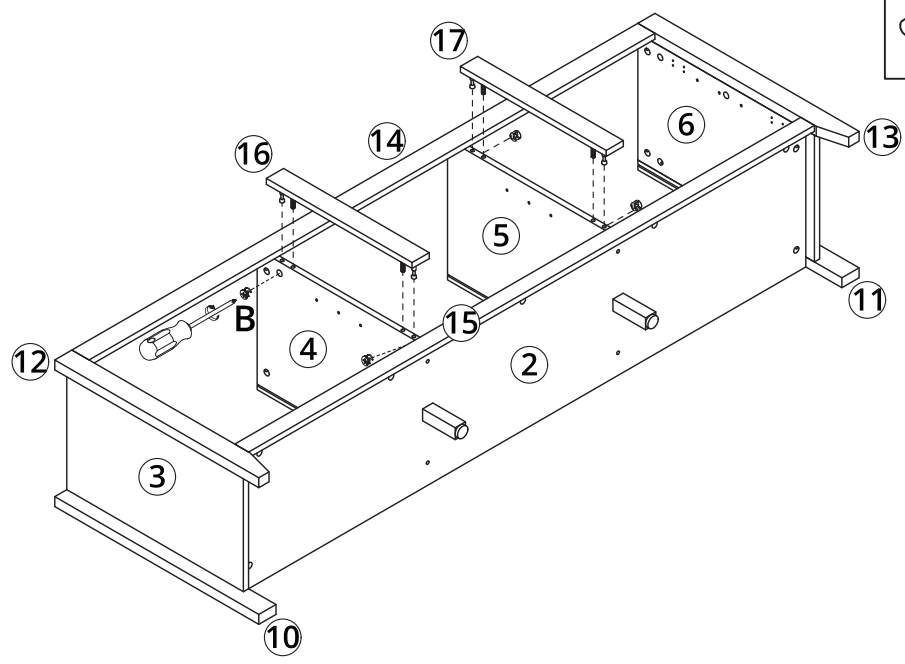
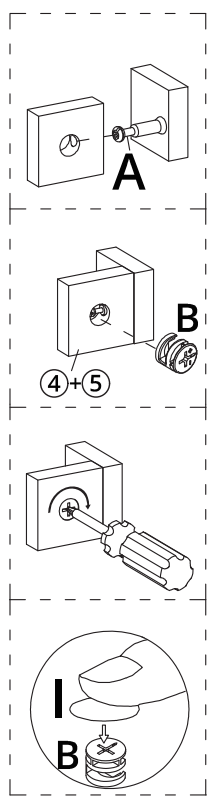
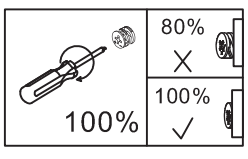
I		x11
B		x11
		x1

	80%	
X		
100%	100%	
✓		

9

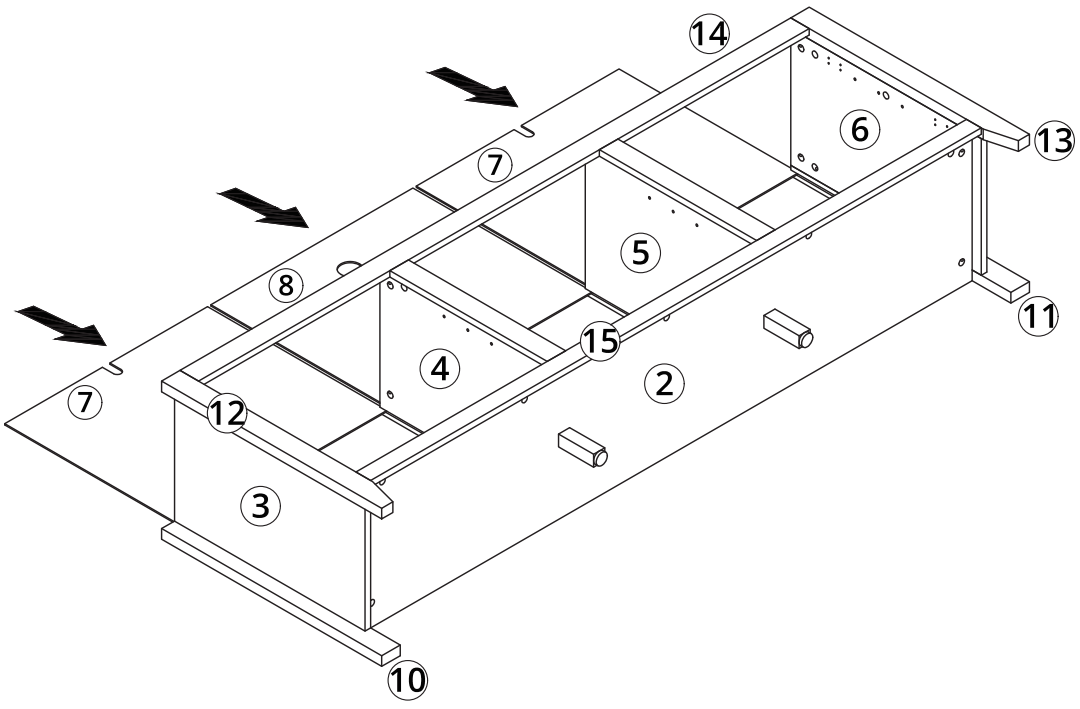
Insert Cam Locks B into the pre-drilled holes in the panel ④ and ⑤, tighten all of them to 100% and then stick hole covers I onto those holes.

- I  x4
- B  x4
-  x1






10




Slide the back panel ⑦ and ⑧ slowly into the groove.

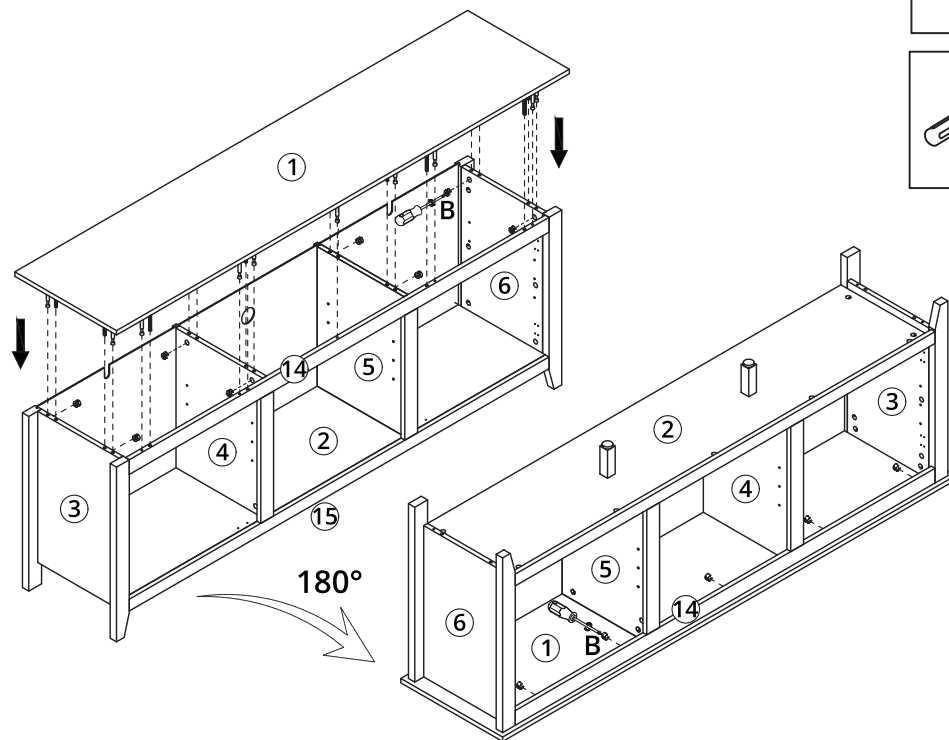
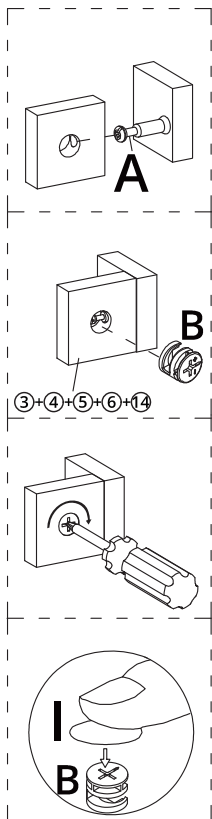


11


Insert Cam Locks B into the pre-drilled holes in the panel ③ ④ ⑤ ⑥ and ⑭, tighten all of them to 100% and then stick hole covers I onto those holes.

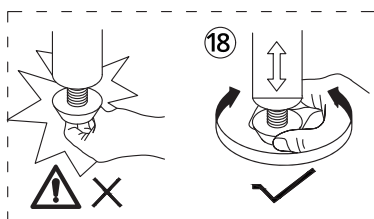
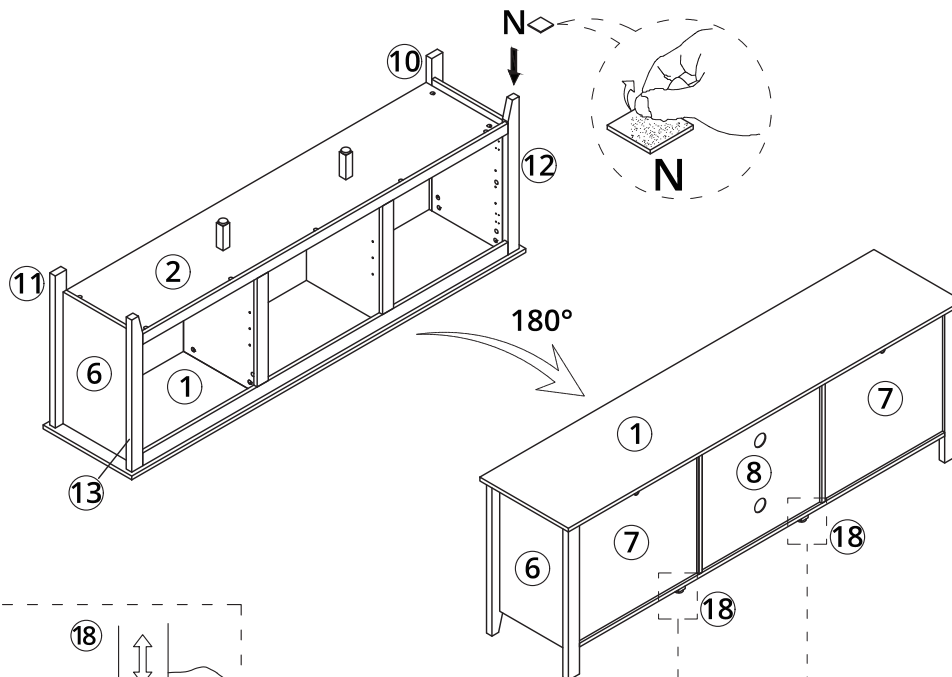
I		x13
B		x13
		x1

	80%	
	X	
100%	✓	

**12**

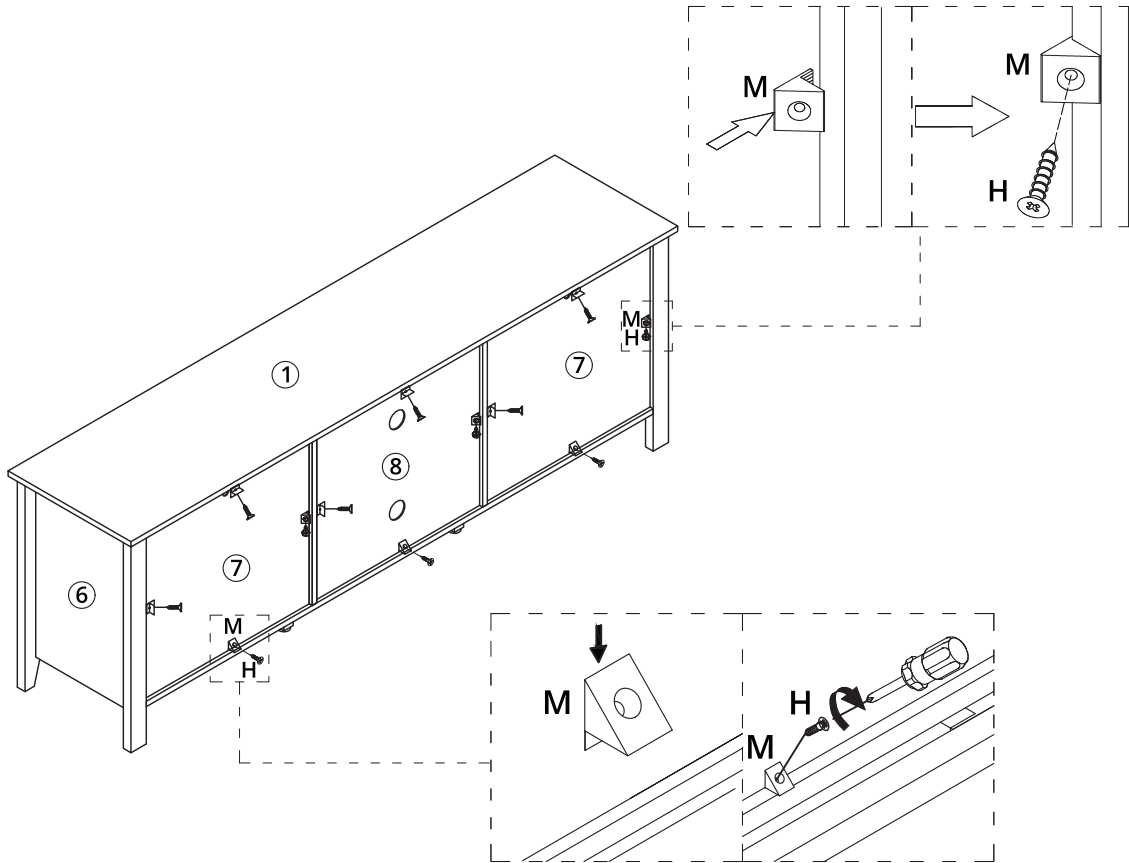
Adjust the leveling feet on the support leg for balance.

N		x4
---	---	----



13

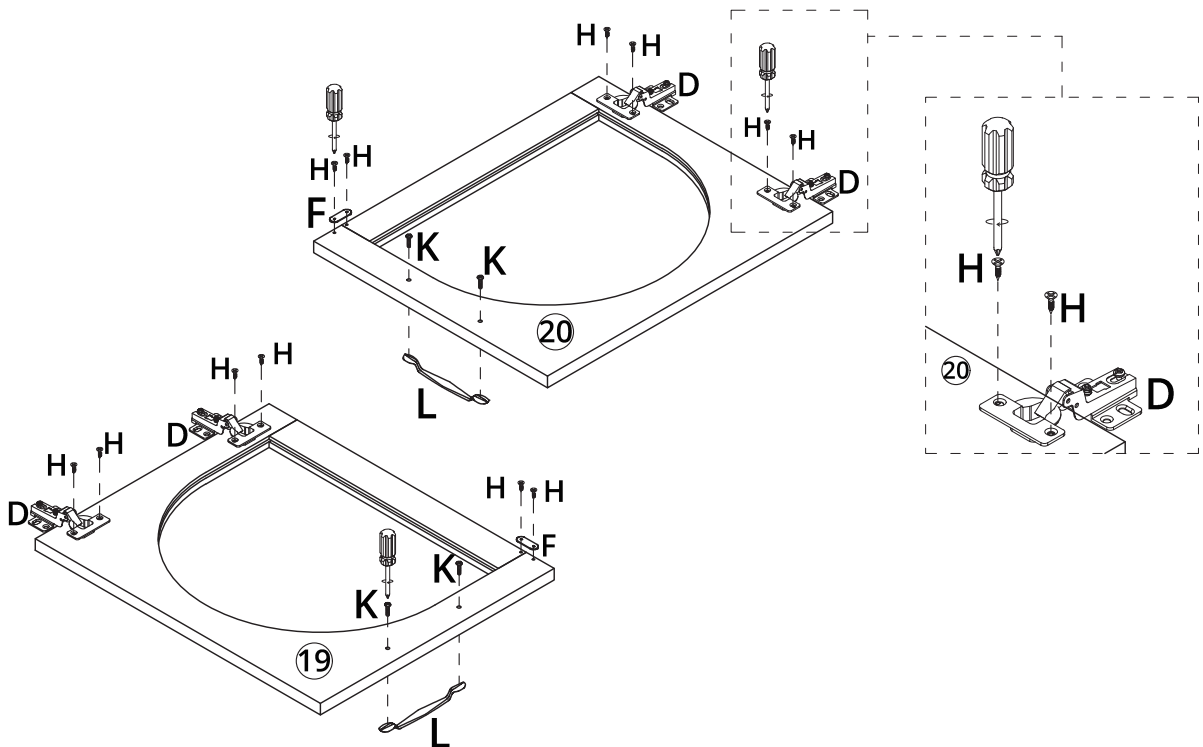
Locate the 12 pieces of bracket M and position them on the back side of the cabinet. Then, use a screwdriver to tighten the screws H securely.



H		x12
M		x12
		x1

	80%	
	100%	

14



F		x2
L		x2
D		x4
K		x4
H		x12
		x1




	80%	
	100%	




	80%	
	100%	

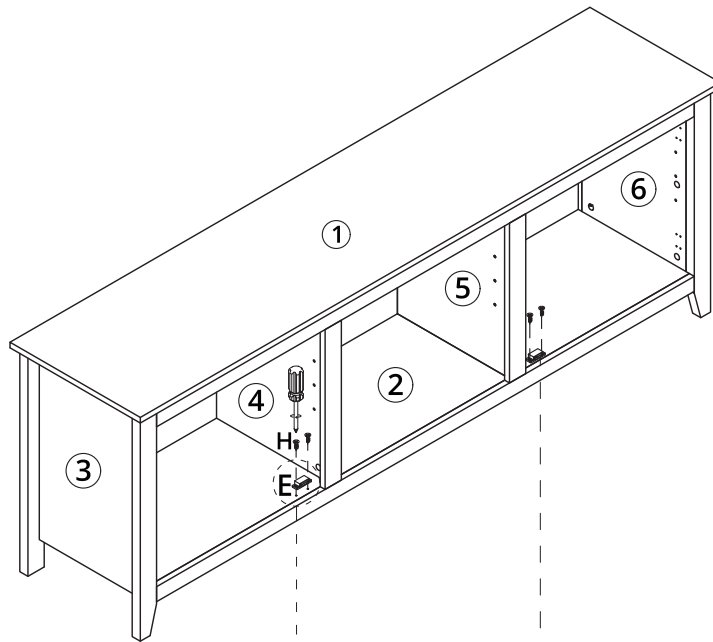
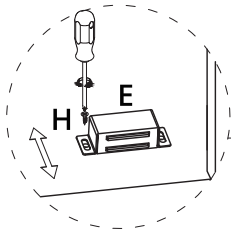
15

As shown in the bubble diagram below, when installing H into the holes of E, first, tighten E on both sides to around 80%. After confirming the position of E, tighten H on both sides to 100%.

If it is found that the magnetic door catch is insufficient, the front and rear position of E can be adjusted to match the door's position and closing function. Note that a slight protrusion of the door is normal.


E		x2
H		x4
		x1

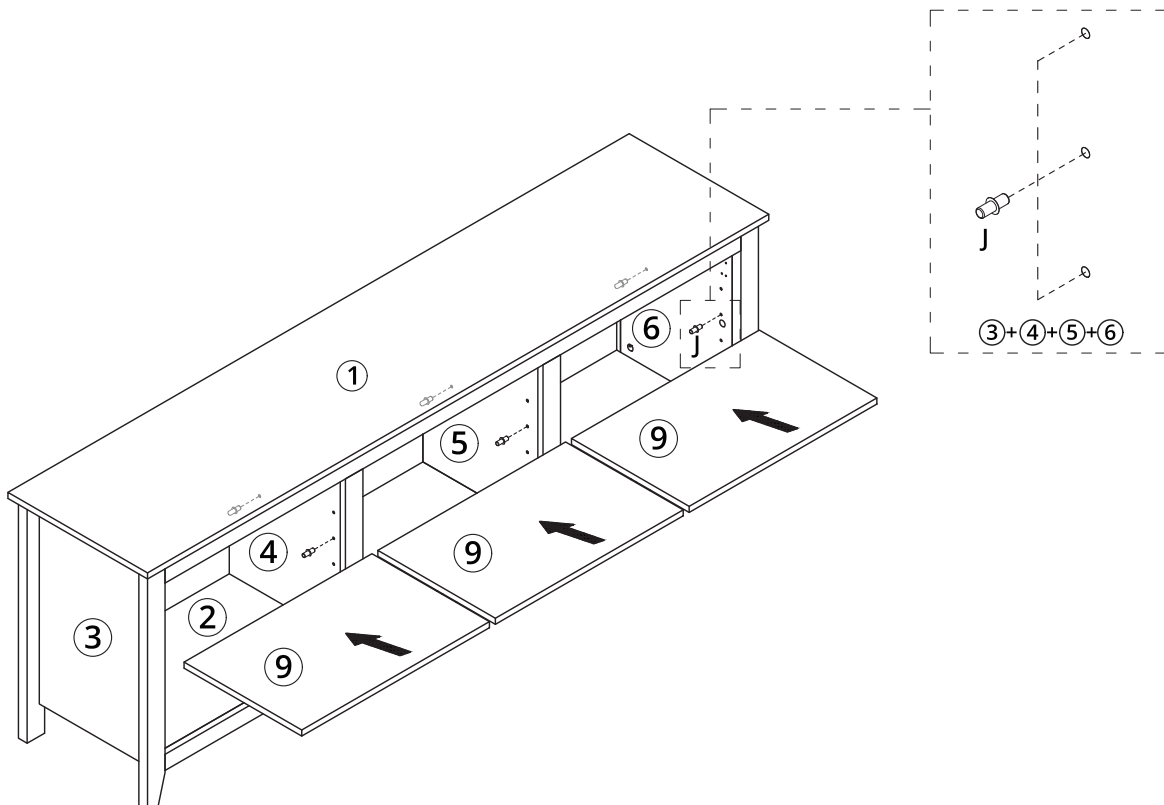
	80%	
	100%	



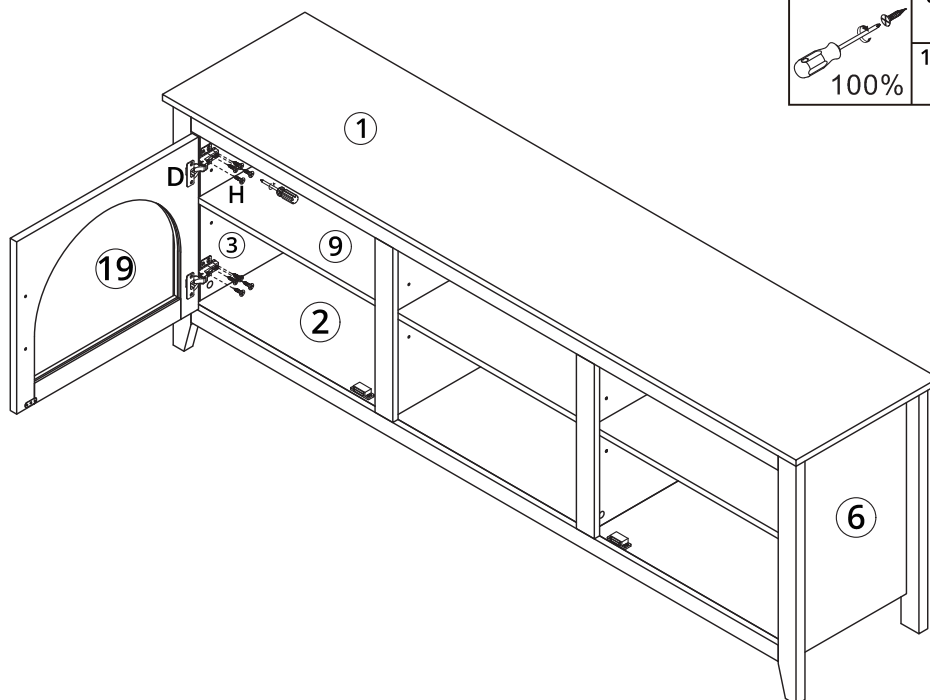
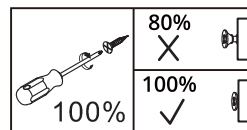
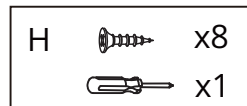
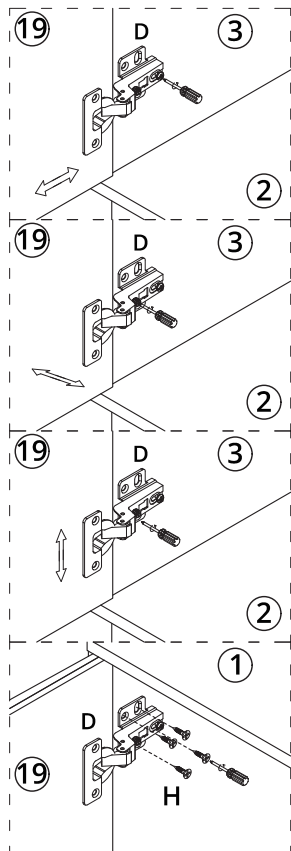
16

Insert the shelf pins J into the holes at your desired height. Then, place the shelf panel ⑨ onto the pins, aligning them with the supports.

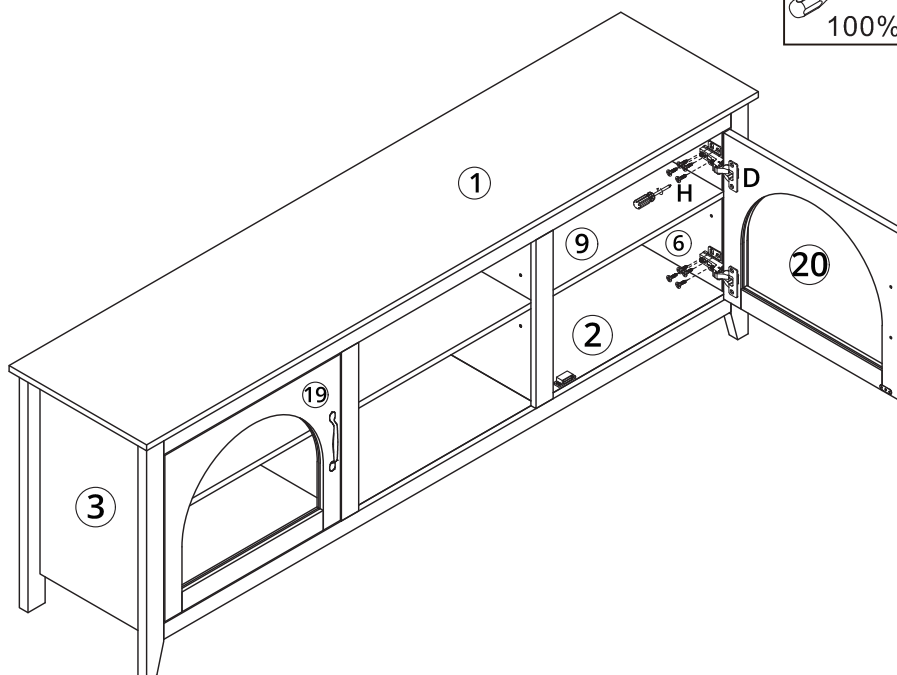
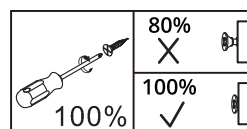
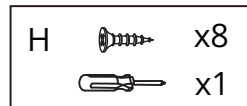
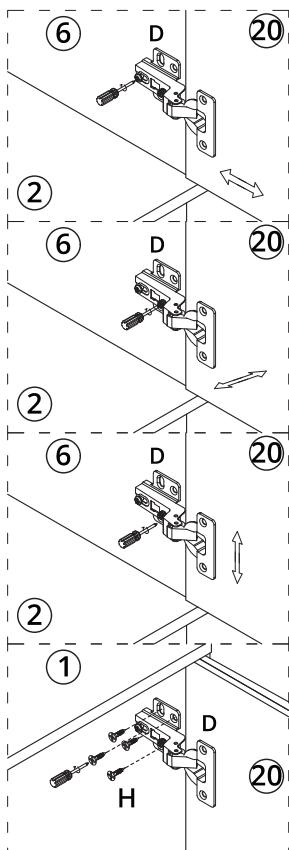
J		x12
---	---	-----



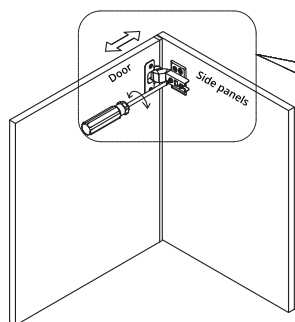
17



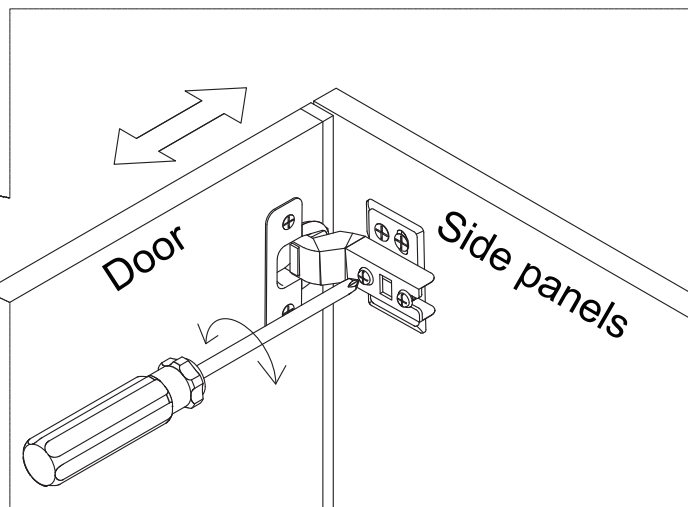
18



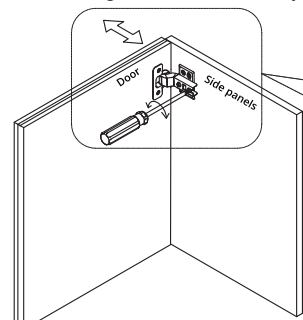
Concealed hinges are three-way adjustable:



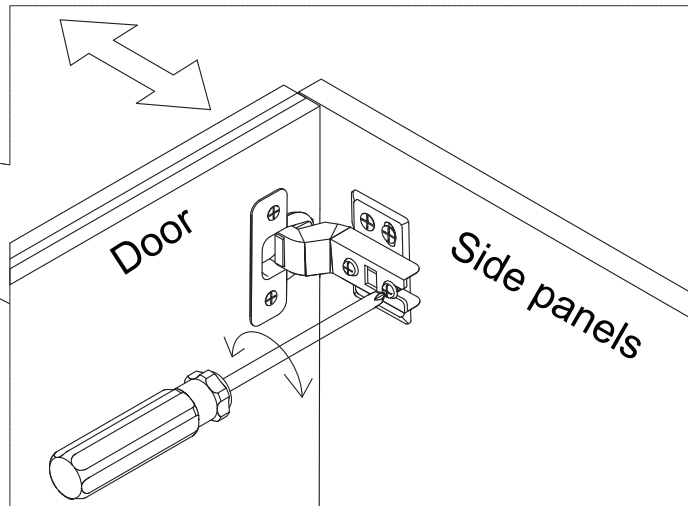
Horizontal
by screw adjustment!



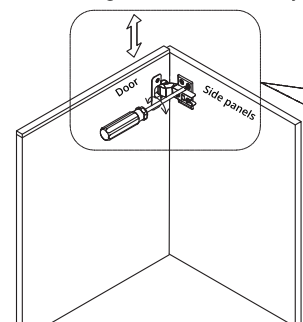
Concealed hinges are three-way adjustable:



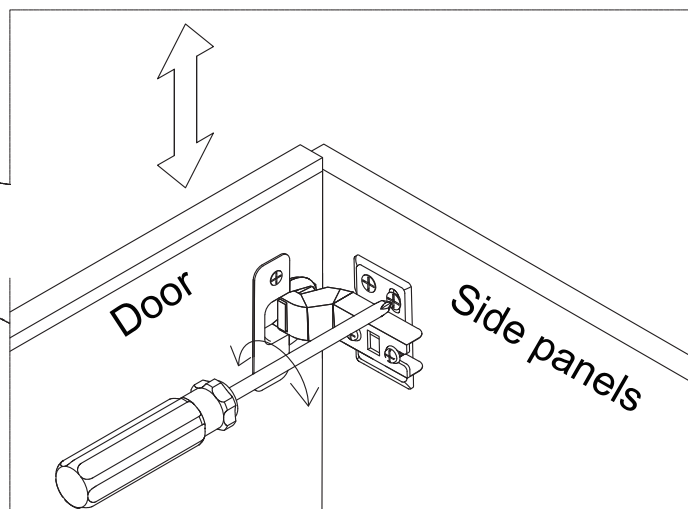
In-and-out
by loosening the hinge arm
mounting screw or via cam
adjustment!



Concealed hinges are three-way adjustable:



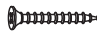




Vertical via slots in
the mounting plate
or via cam
adjustment!






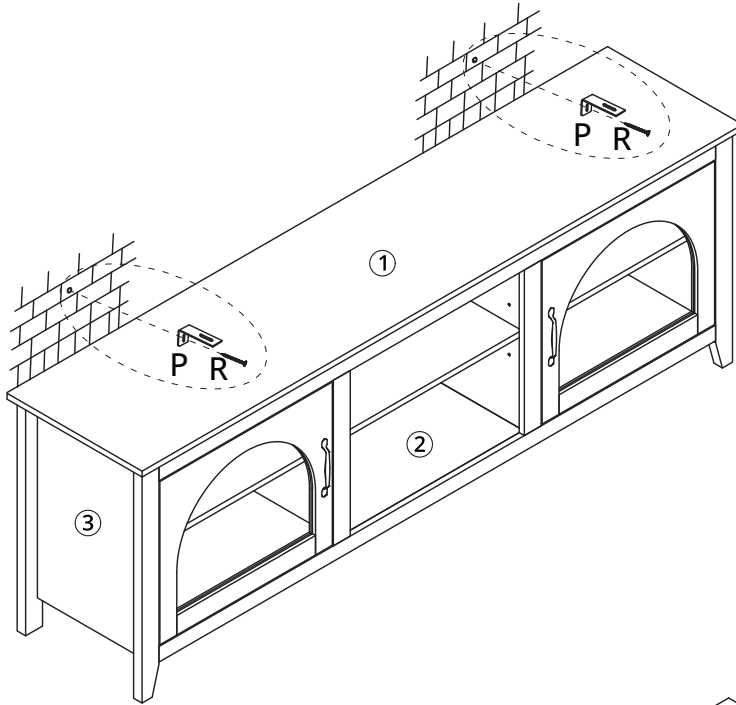
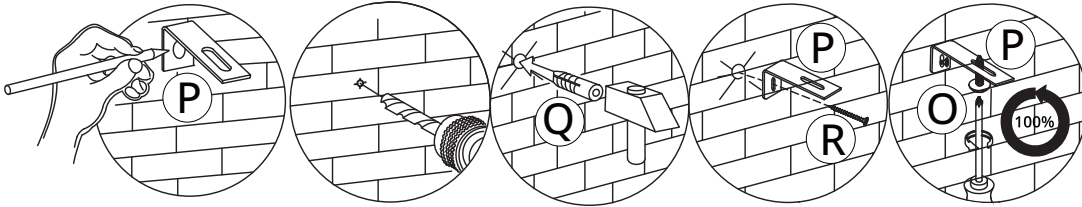
20

For safety reasons, please be sure to attach the product to the wall to avoid accidents!

1. First, locate the spot on the wall corresponding to the small hole on (P). Then, drill a hole in the wall using an electric drill.
2. Drill a hole with electric drill on the wall.
3. Hammer the (Q) into the hole.
4. Fix P to the wall by tightening (R) through (P) into (Q).
5. Finally tighten (O) in the product 100%, through the hole of (P).

R		x2
Q		x2
		x1
		x1
		x1

	80%	
	100%	
100%		



FINISHED

