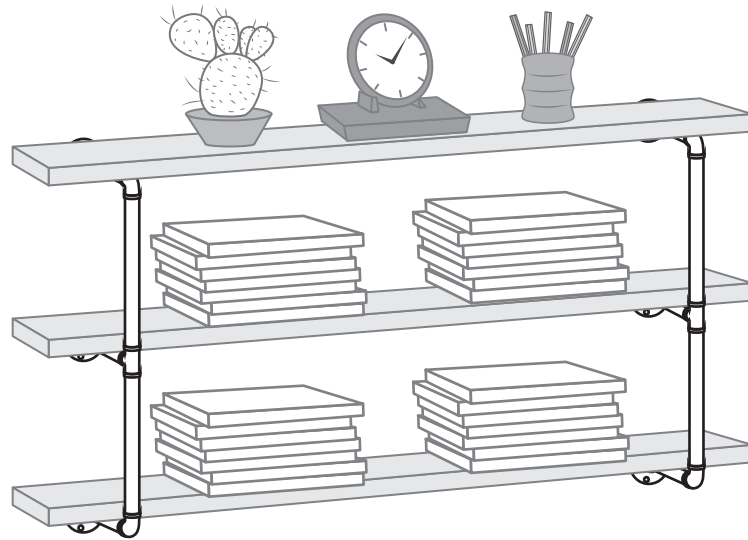
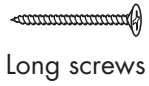


Instruction Manual

WARNING: For demonstration purposes, we have illustrated a shelf with three side pipes. Please do not mount this item above cribs, beds or changing tables.



Hardware Included:

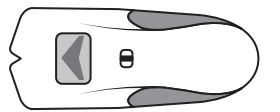
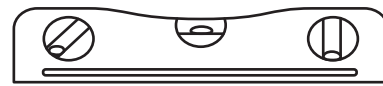
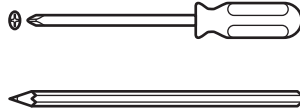


Long screws



Short screws

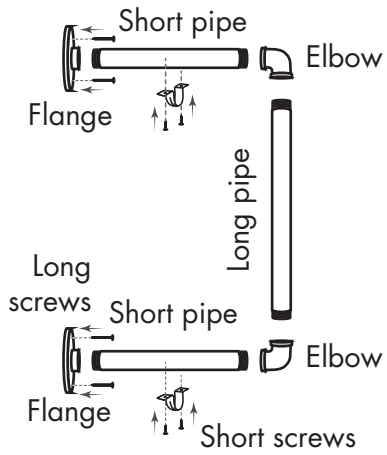
Tools needed:



Stud-locator

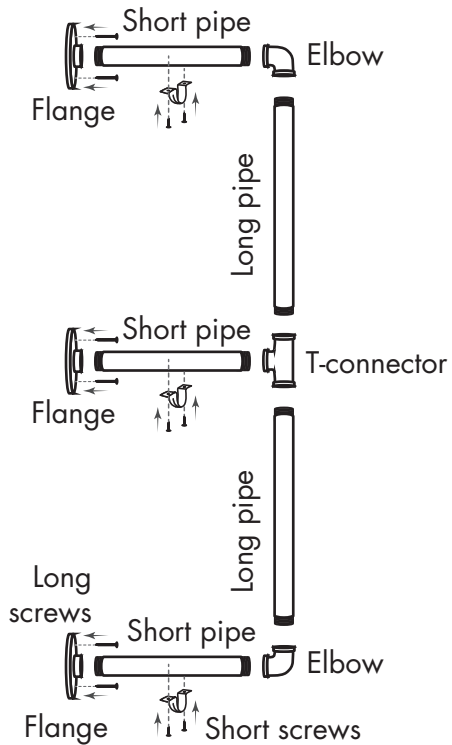
Assembly Instructions

2-tier assembly

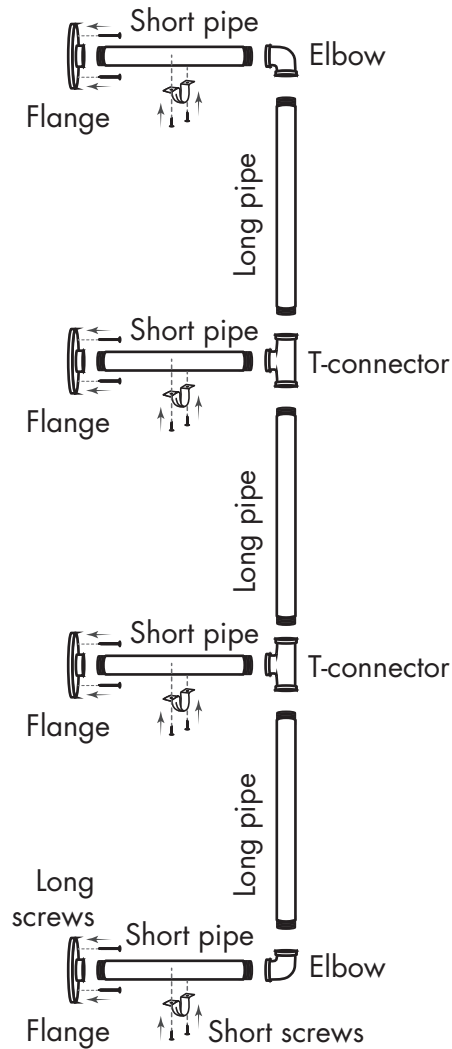


INFO:
T-connector not required for 2 tier assembly.

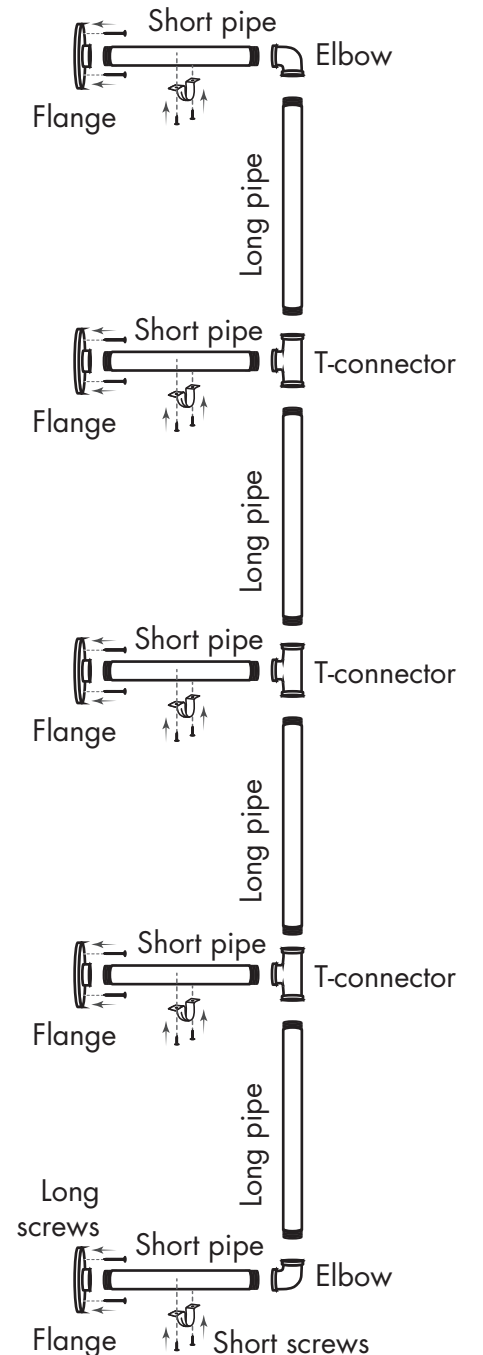
3-tier assembly



4-tier assembly



5-tier assembly



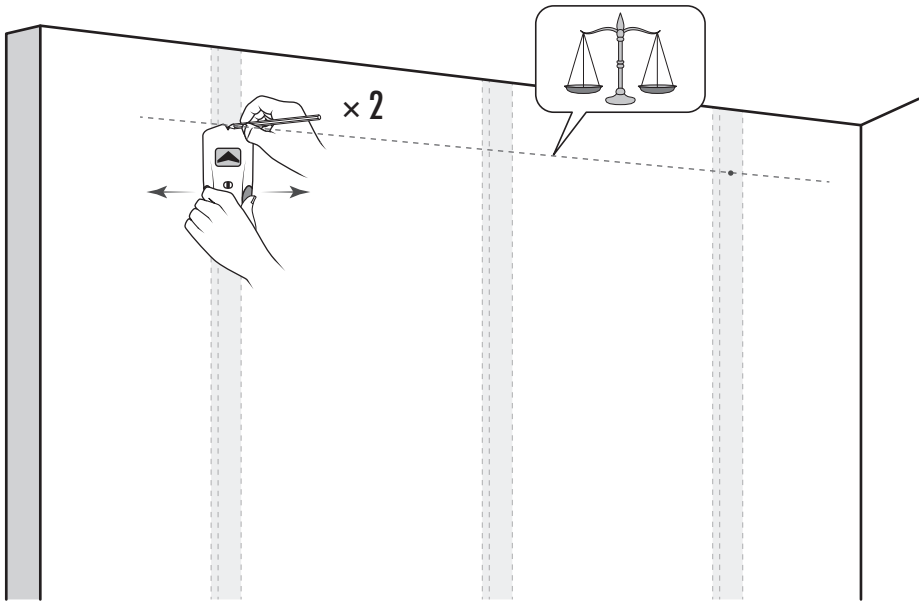
TIP: Please don't screw the parts too tight, having wobbly parts is normal. Once you mount the bracket to the wall, the wobbly parts will be stabilized.

Mounting Instructions

▲ NOTE: We recommend mounting these heavy-duty pipe brackets to studs using the included screws.

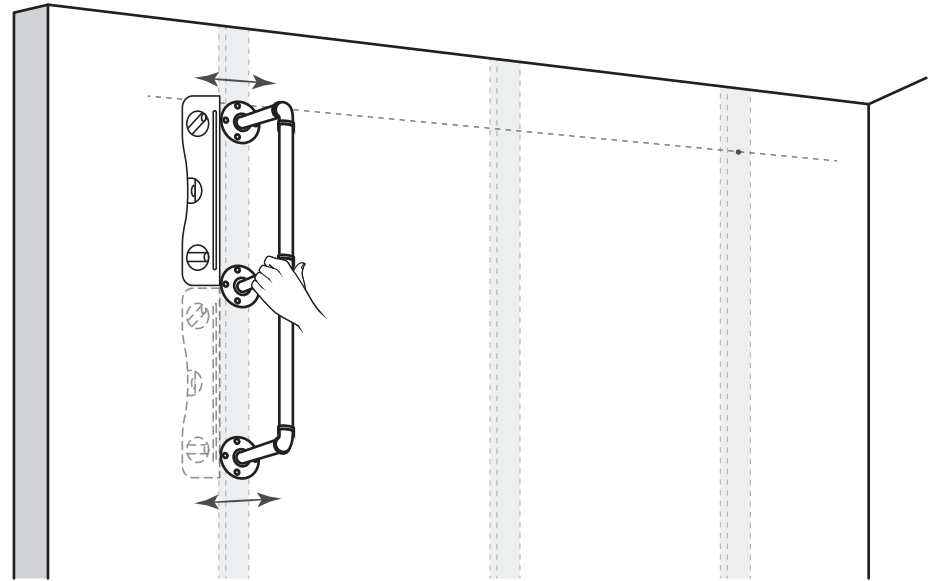
STEP 1

Level and mark a horizontal straight line on the wall at the desired location, and then use the Stud-locator to mark the top screw hole points as shown in the image.



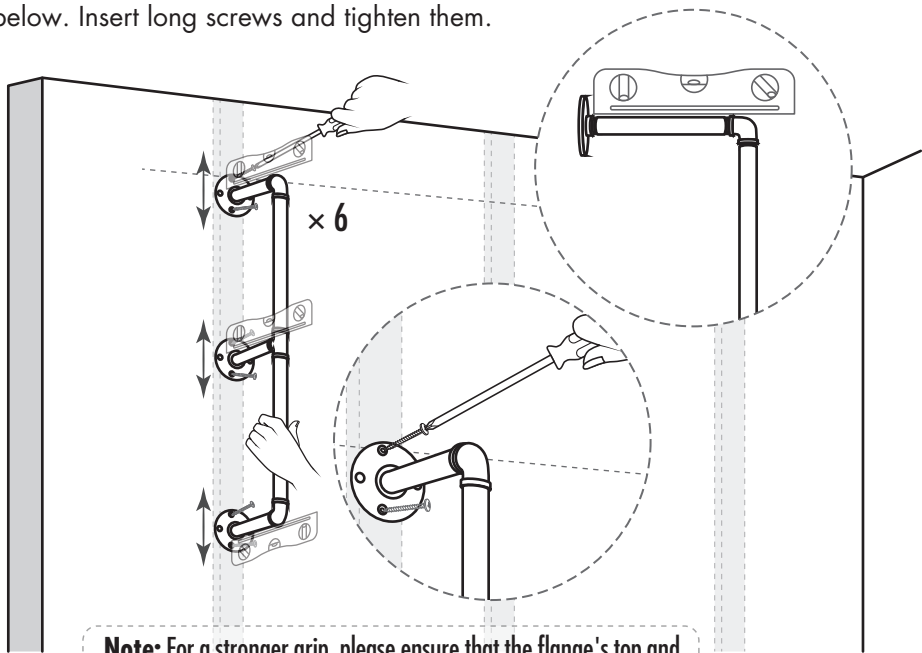
STEP 2

Place the bracket on the left side of the marked location and adjust horizontally with a level to ensure that bracket is straight and well aligned in the studs.



STEP 3

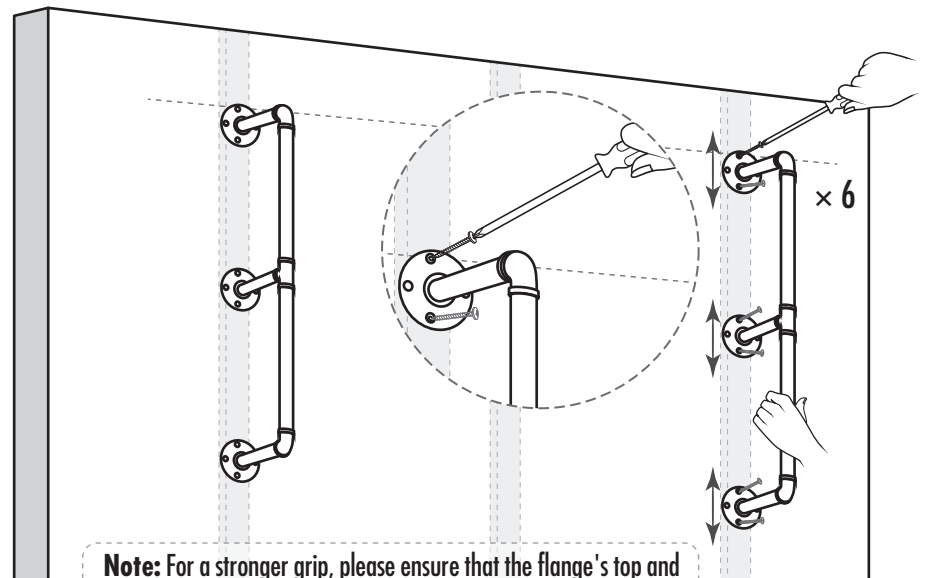
Adjust the horizontal pipes by using level to ensure that they are straight as shown below. Insert long screws and tighten them.



Note: For a stronger grip, please ensure that the flange's top and bottom screw points are straight so that both screws hit the stud.

STEP 4

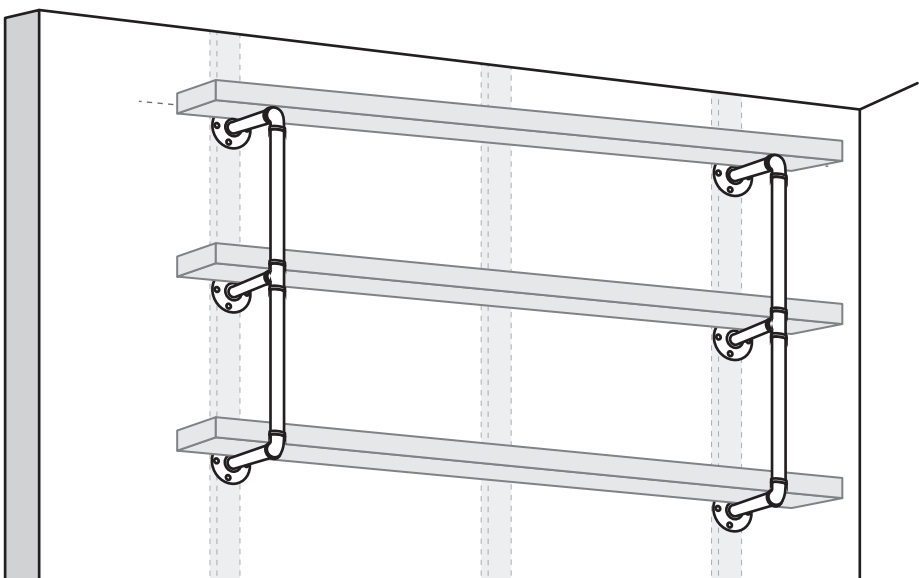
Similarly follow STEP 2 & 3 for installing other bracket on the right side, adjust both vertical and horizontal pipes, all need to be carefully leveled to ensure that they are straight and well aligned in the studs. Insert long screws and tighten them.



Note: For a stronger grip, please ensure that the flange's top and bottom screw points are straight so that both screws hit the stud.

STEP 5

Place the wood board on top of the horizontal pipes and align its length with the brackets (allow even space on both edges).



Note: Some sets are offered without top board.

STEP 6

Attach the wood board to the brackets using the inverted clamp and short screws (2 screws for each clamp) at the bottom of the board. Tighten them as instructed.

