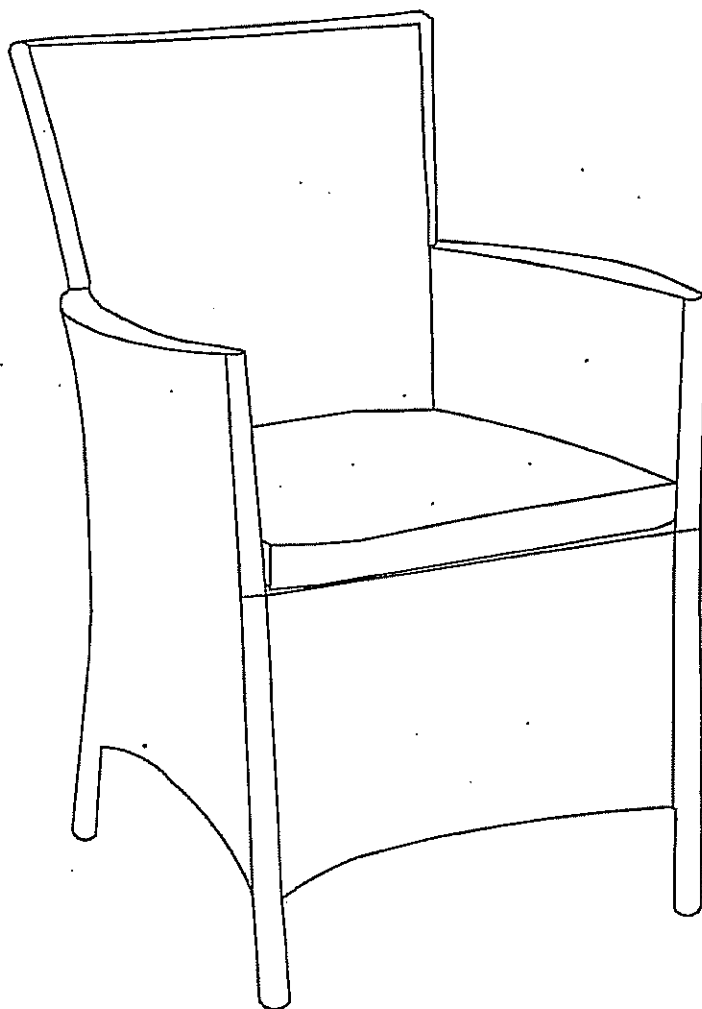

Armchair

Assembly instructions



Armchair

Assembly instructions

Before you start

Warnings

**IMPORTANT, RETAIN FOR FUTURE REFERENCE:
READ CAREFULLY**

See enclosed instructions for assembly, safety and care information.

Failure to follow the warnings could result in serious injury.

Parts are heavy. Handle with care.

During assembly children should be kept away from the product due to possible risk of injury.

Ensure that this product is fully assembled as illustrated before use.

This product should only be used on firm, level ground.

Keep small parts out of reach of children.

If a glass component is chipped or broken, stop using the product and consult the manufacturer or supplier.

Do not place very hot or very cold items on the glass surface(s) unless adequately thick table mats are used to prevent such items coming into contact with the glass.

Do not sit or stand upon the glass surface.

Do not use the glass as a chopping surface. Do not strike the glass with hard or pointed items.

This product is intended for domestic use only.

Dos

When you are ready to start, make sure that you have the right tools, plenty of space and a clean, dry area for assembly.

Unwrap all packaging materials and place the components on top of the carton box or on a clean floor to prevent it from scratching.

Check the pack and make sure you have all the parts listed.

Check all screws or bolts are tightened and inspect regularly.

We recommend the use of furniture covers to protect your product when not in use.

During bad weather and winter months the product should be stored in a cool dry place. Before storage ensure that it is clean and dry.

The frames are manufactured using the powder coated Aluminum tubing. Any scratches on the paintwork should be touched up immediately with metal paint, otherwise corrosion may occur.

To clean wipe with a sponge and warm soapy water then wipe with a dry, clean cloth.

Don'ts

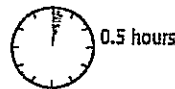
Do not sit or stand on the product.

Never use scourers, abrasives or chemical cleaners.

Number of people required for assembly

One person

Time to assemble



Tools required

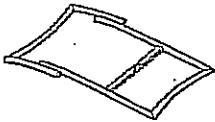
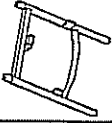

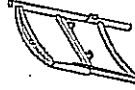
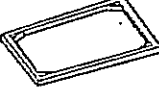



wrench
supplied

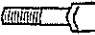

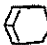
Armchair

Assembly instructions


Components supplied (not actual size)

CODE	DIMENSIONS (MM)	PARTS	QTY.
1	520*770*90		1
2	520*450*40		1
3	660*500*90		1
4	680*500*80		1
5	450*400*20		1
6	450*400*50		1

Fixtures and fittings supplied (actual size)

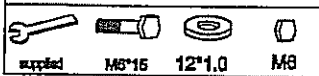
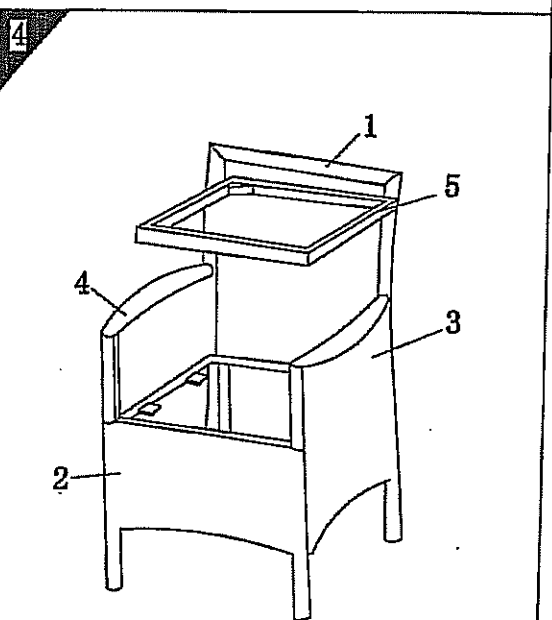
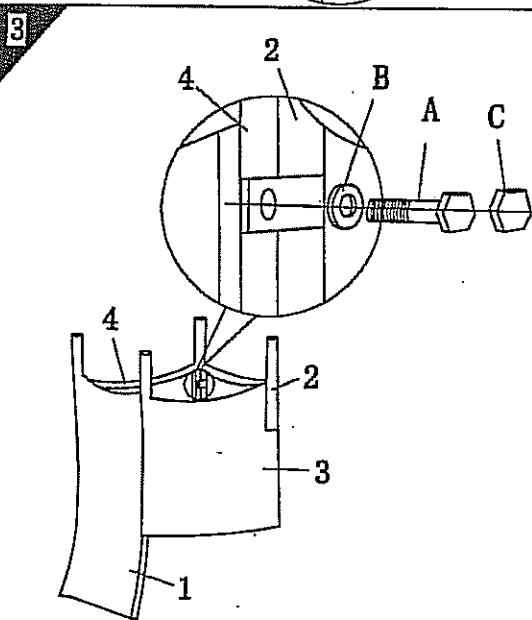
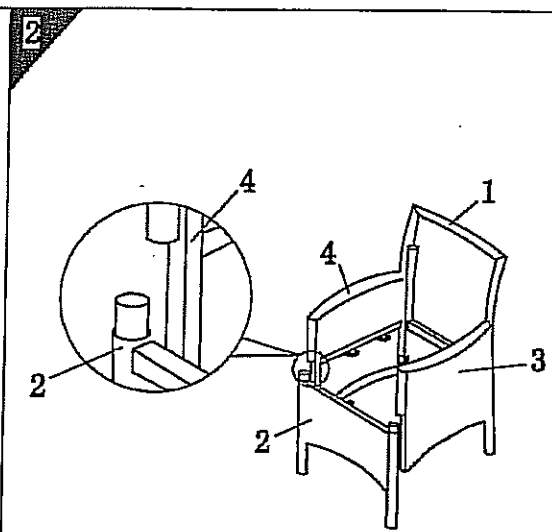
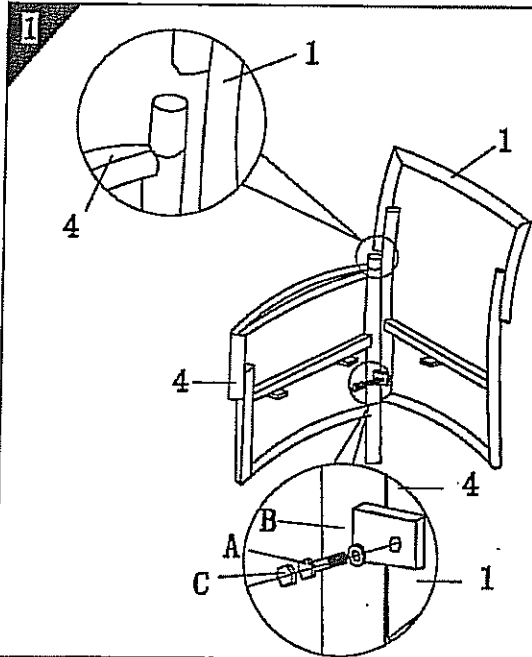
CODE	DIMENSIONS (MM)	PARTS	QTY.
A	M6*16		10
B	12*1.0		10
C	M6		10

Fixtures and fittings supplied (not actual size)

CODE	PARTS	QTY.
D		1

Armchair

Assembly instructions



Armchair

Assembly instructions

