



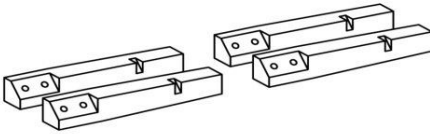
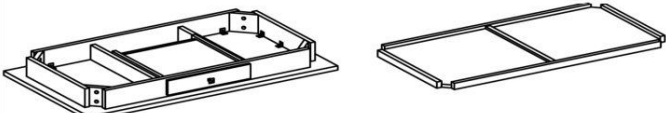
Furniture Connexion & Porter Designs

ASSEMBLY INSTRUCTION

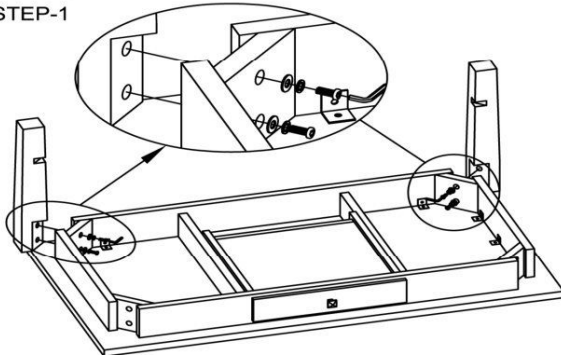
DESCRIPTION# TAHOE COFFEE TABLE W/ DWR

Thank you for purchasing this quality product. Be sure to check all packing material carefully for small parts, which may have come loose inside the carton during shipment. Identify and count all parts and compare with the hardware and parts list below

PART LIST

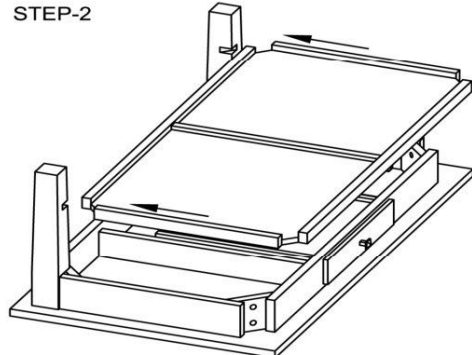
LABEL	PICTURE	DESCRIPTION	QTY
A		ALLEN KEY	1
B		ALLEN BOLTS, SPRING WASHER & WASHER	8 + 8 + 8
C		LEGS	4
D		TOP & SHELF	1 + 1

STEP-1



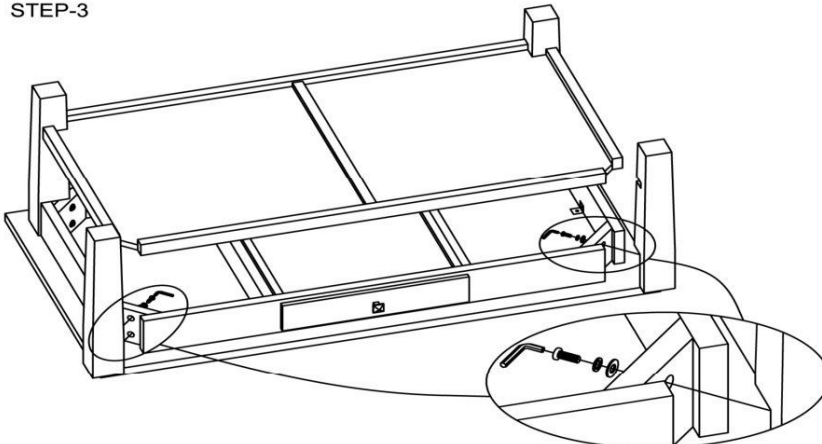
Lay the tabletop (D) upside down on a protective surface. Align holes on legs (C) with holes on underside of tabletop (Only attach two legs to one side). Use supplied allen key to tighten bolts as shown in diagram.

STEP-2



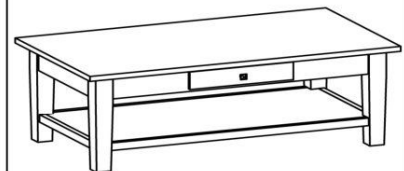
Insert Bottom shelf as shown in diagram and place other two legs to hold in place.

STEP-3



Align holes on second set of legs (C) with holes on underside of tabletop (while bottom shelf in place). Use supplied allen key to tighten all bolts as shown in diagram.

STEP-4



Flip the table upright with the help of another person.

COMPLETELY ASSEMBLED