

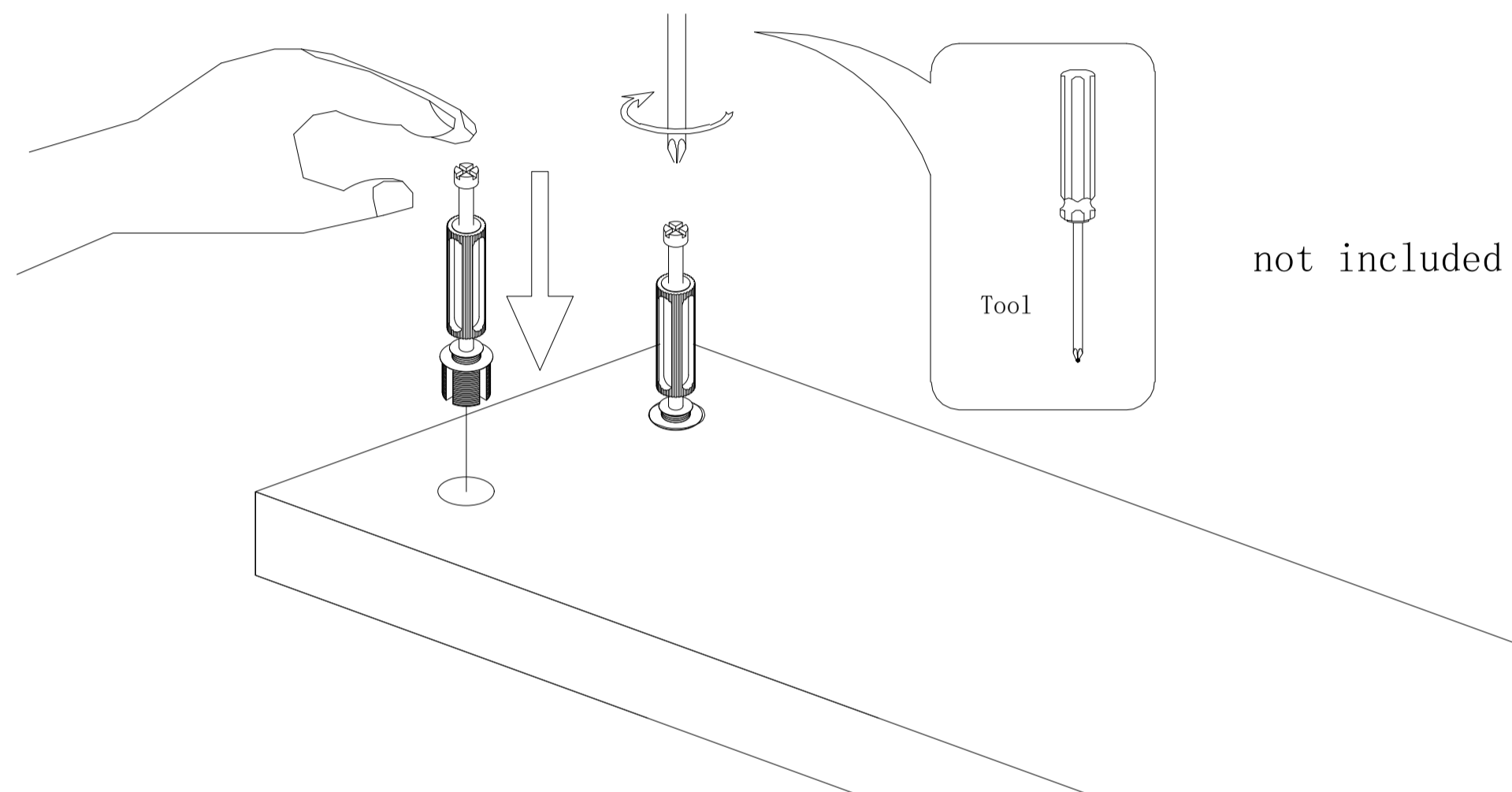
Installation & Assembly



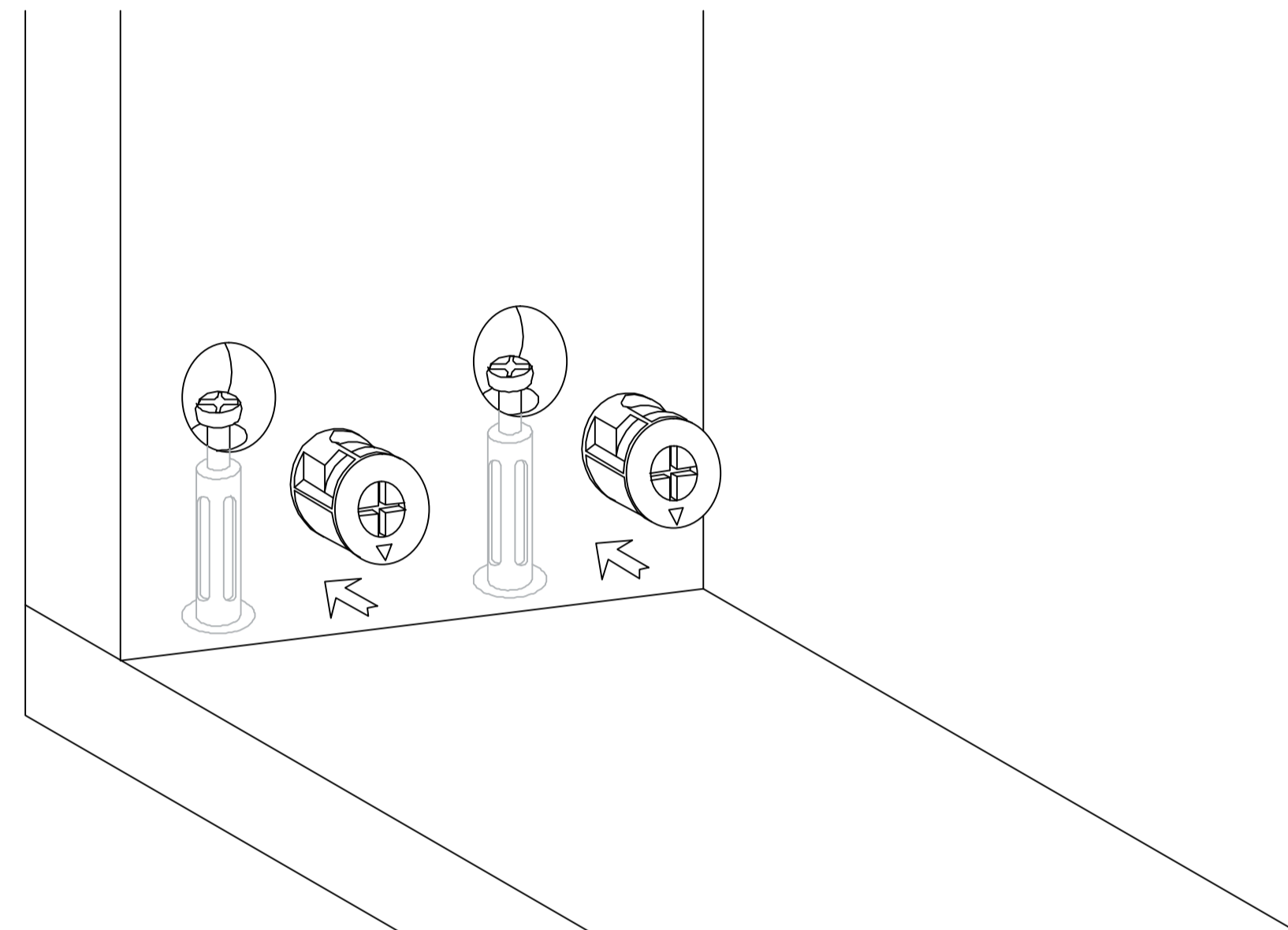
Hardware installation demonstration

NOTE: Please make sure "A" hardware tightened and can't be pulled out!

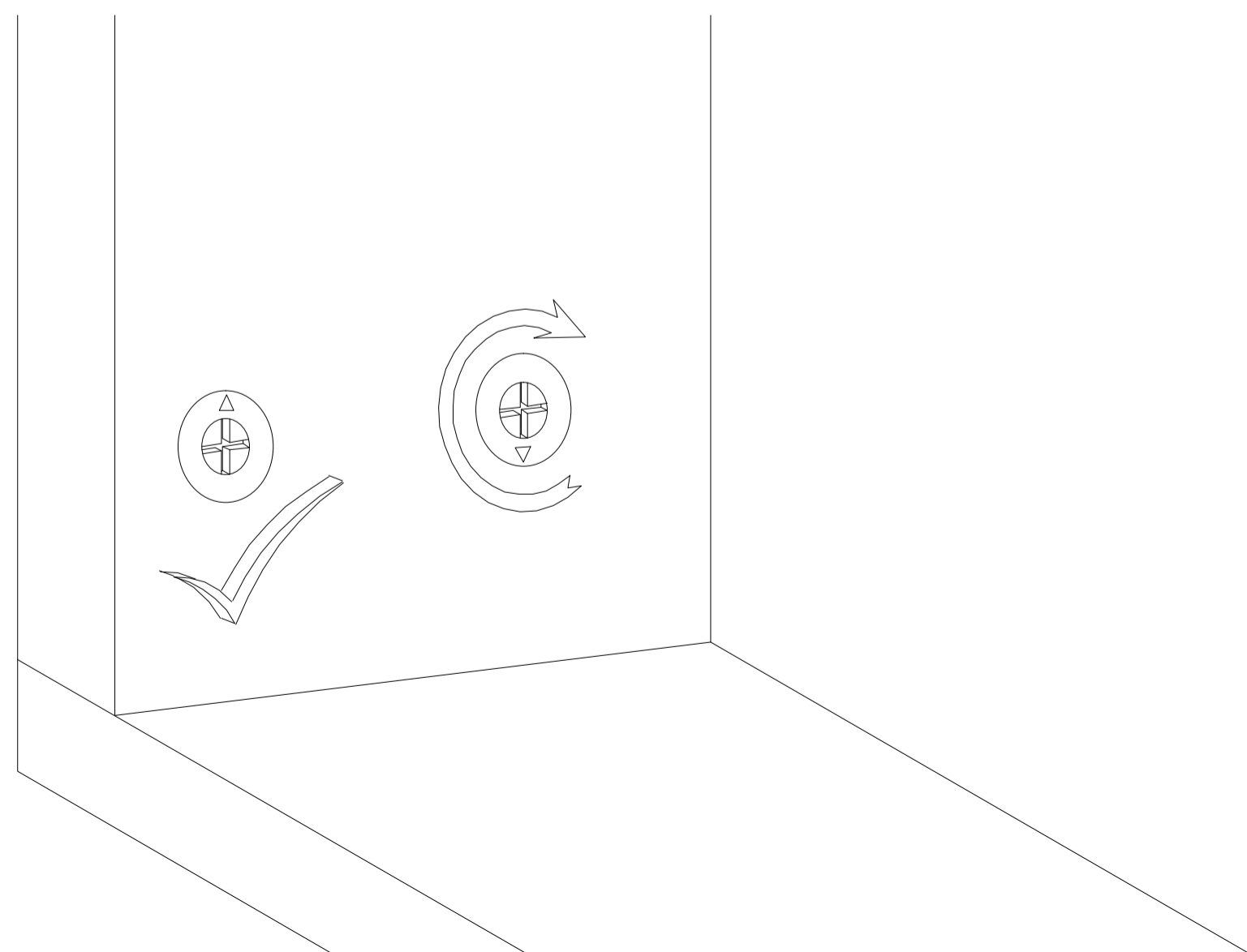
I

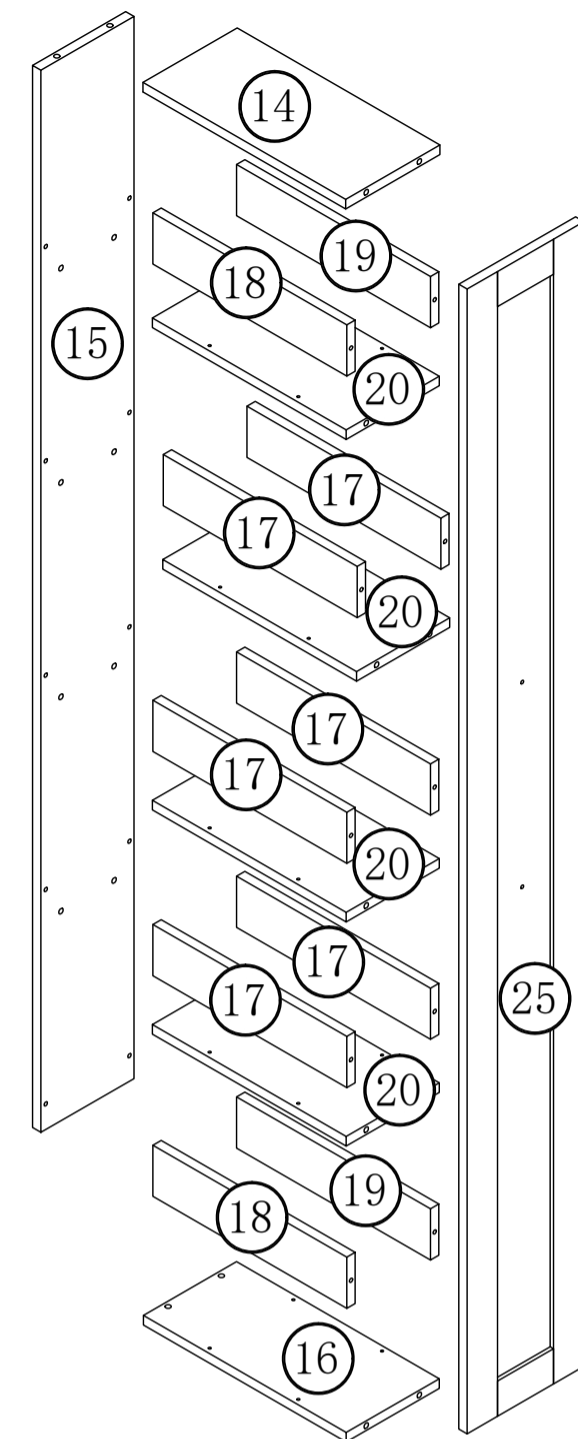
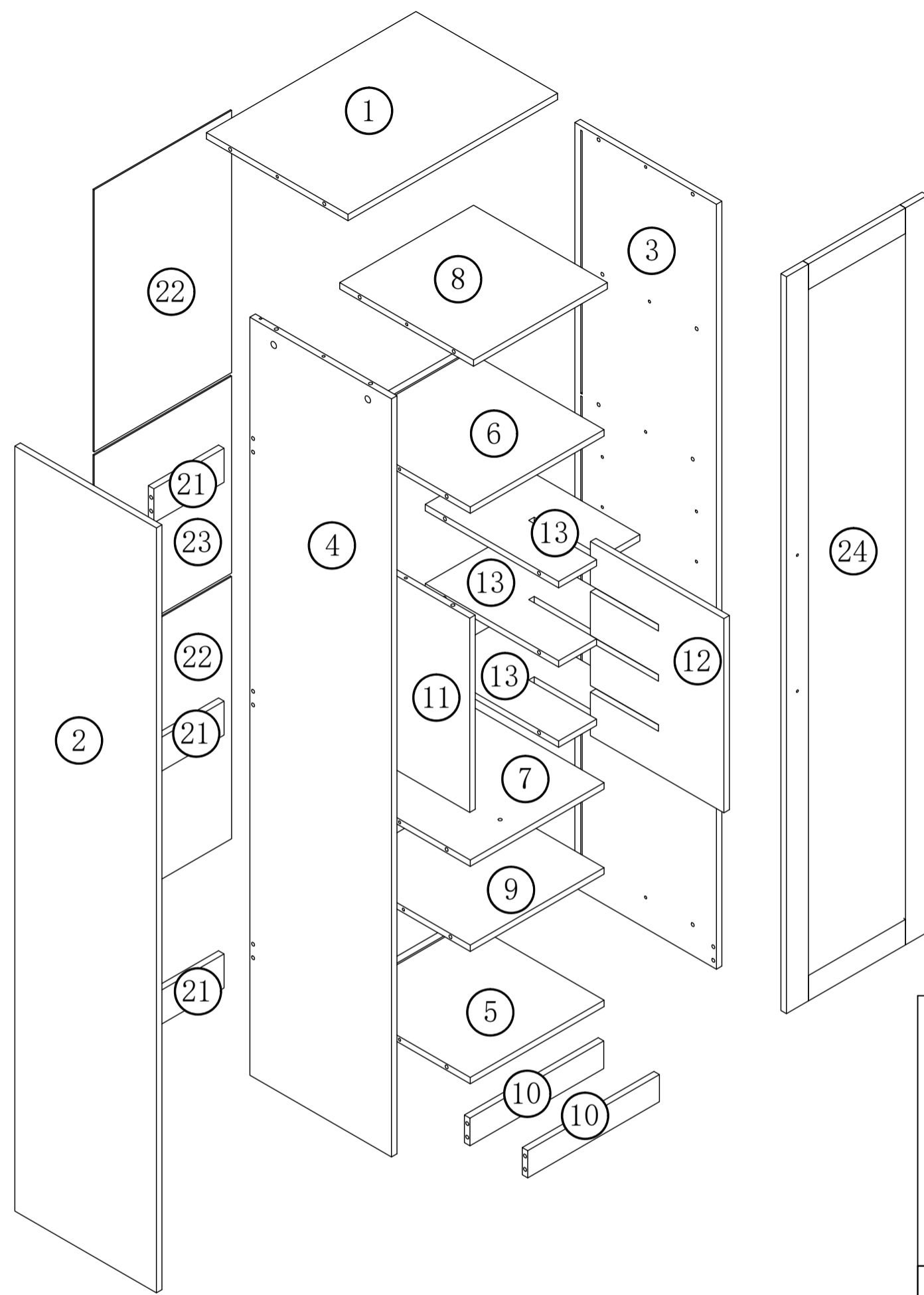


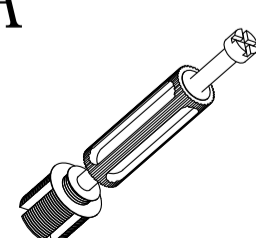
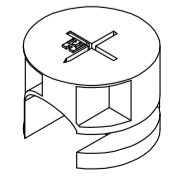
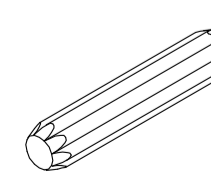
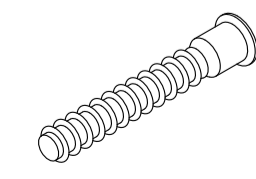
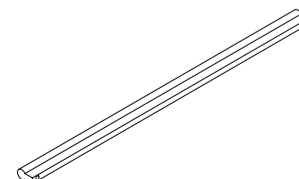
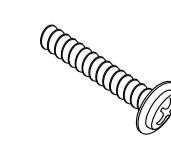
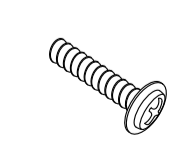
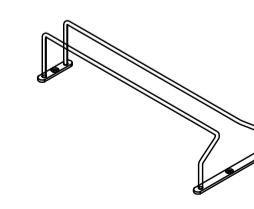
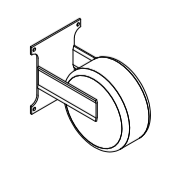
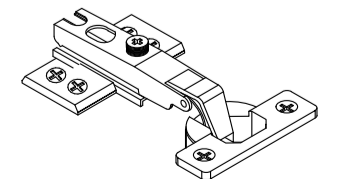
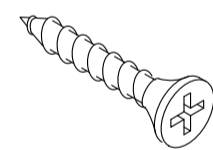
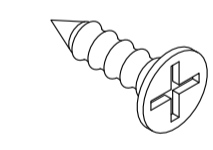
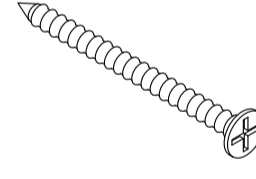
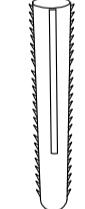
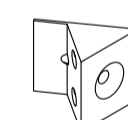
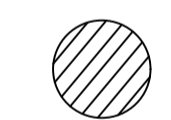
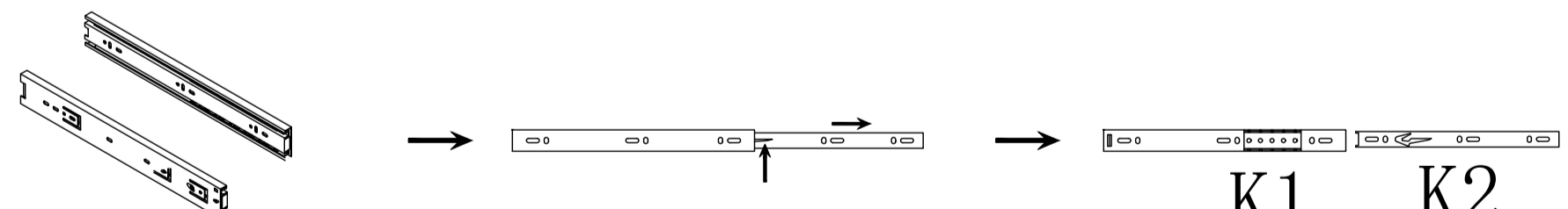
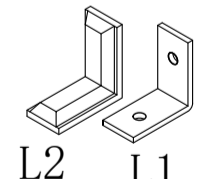
II



III

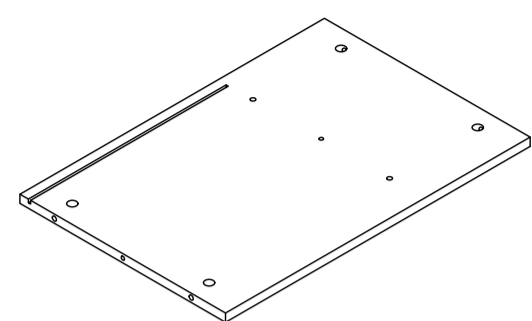




<p>A</p>  <p>74PCS</p>	<p>B</p>  <p>74PCS</p>	<p>C 8*40</p>  <p>48PCS</p>	<p>D 7*50</p>  <p>20PCS</p>	<p>E</p>  <p>2PCS</p>	<p>F 4*18</p>  <p>2PCS</p>	<p>G 4*12</p>  <p>2PCS</p>	<p>H</p>  <p>1PC</p>	<p>I</p>  <p>4PCS</p>	<p>J</p>  <p>4PCS</p>
<p>M 3*12</p>  <p>12PCS</p>	<p>N 3.5*14</p>  <p>60PCS</p>	<p>O 4*50</p>  <p>2PCS</p>	<p>P 8*40</p>  <p>2PCS</p>	<p>Q</p>  <p>12PCS</p>	<p>R</p>  <p>62PCS</p>	<p>K</p>  <p>350mm</p> <p>L</p>  <p>L2 L1</p> <p>2PCS</p>			

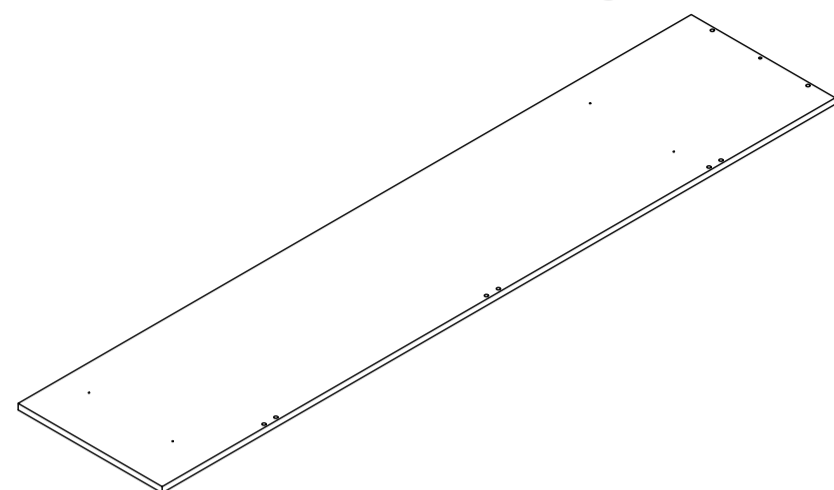
1

570*385(mm)
22.44*15.16(inch)
1PC



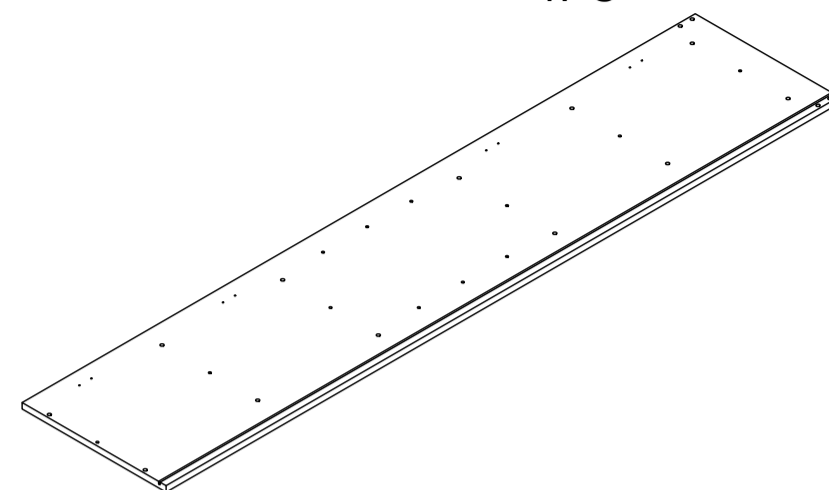
2

1800*385(mm)
70.87*15.16(inch)
1PC



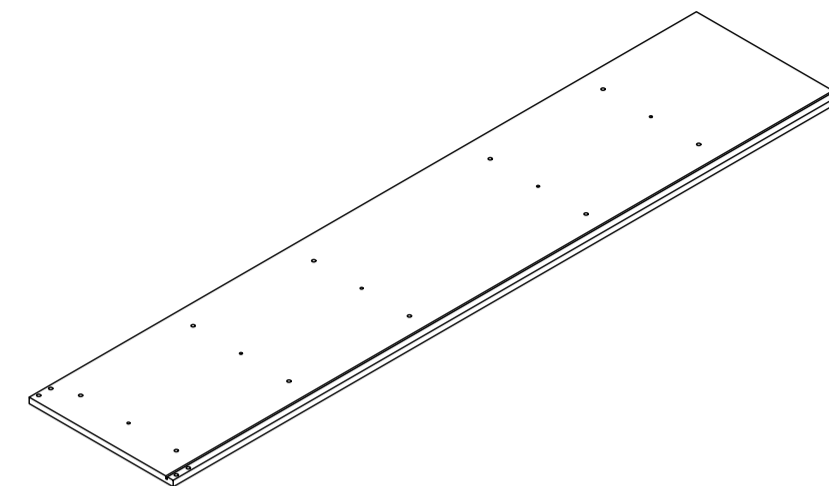
3

1800*385(mm)
70.87*15.16(inch)
1PC



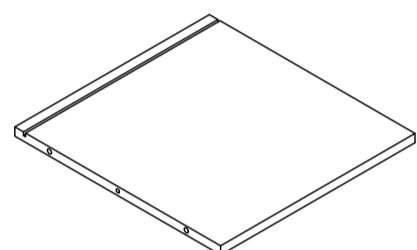
4

1784*385(mm)
70.24*15.16(inch)
1PC



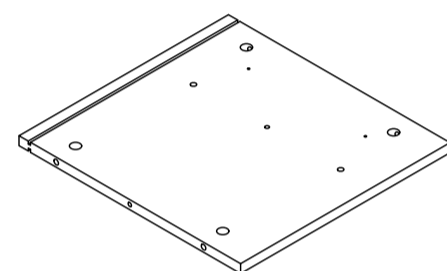
5

385*364(mm)
15.16*14.33(inch)
1PC



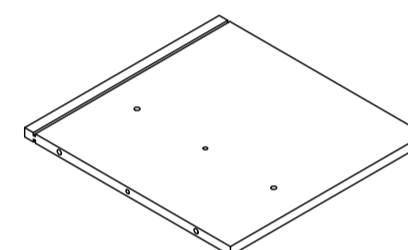
6

385*364(mm)
15.16*14.33(inch)
1PC



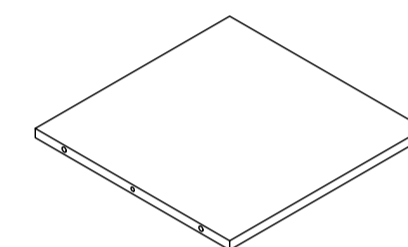
7

385*364(mm)
15.16*14.33(inch)
1PC



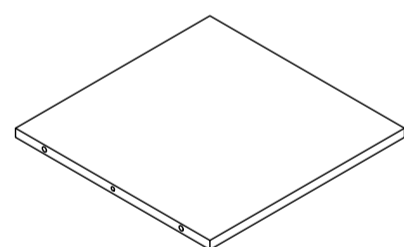
8

364*364(mm)
14.33*14.33(inch)
1PC



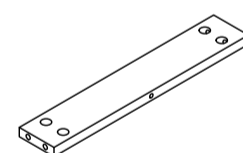
9

364*364(mm)
14.33*14.33(inch)
1PC



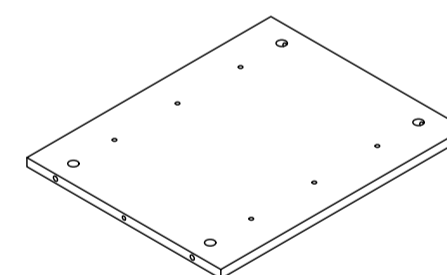
10

364*65(mm)
14.33*2.56(inch)
2PCS



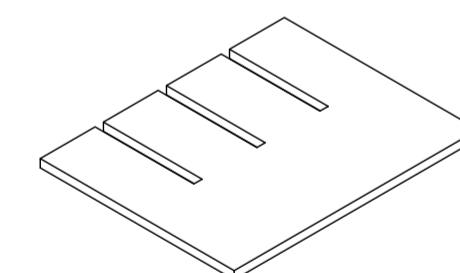
11

457*363(mm)
17.99*14.29(inch)
1PC



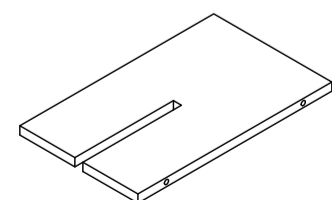
12

457*363(mm)
17.99*14.29(inch)
1PC



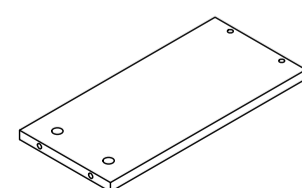
13

363*221(mm)
14.29*8.7(inch)
3PCS



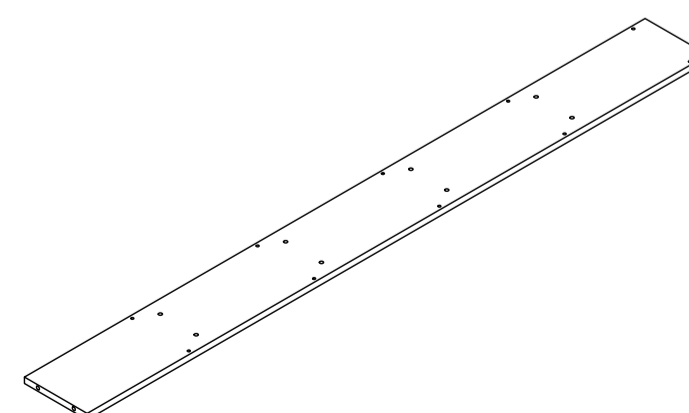
14

366*170(mm)
14.41*6.69(inch)
1PC



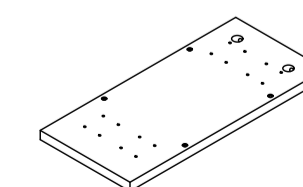
15

1660*168(mm)
65.35*6.61(inch)
1PC



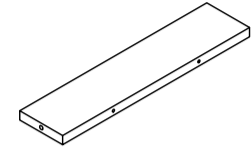
16

366*168(mm)
14.41*6.61(inch)
1PC



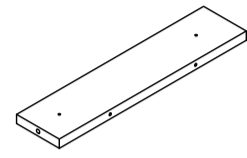
17

350*80(mm)
13.78*3.15(inch)
6PCS



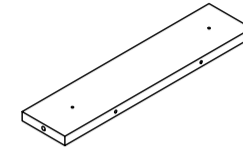
18

350*80(mm)
13.78*3.15(inch)
2PCS



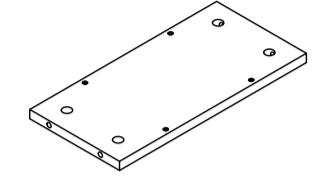
19

350*80(mm)
13.78*3.15(inch)
2PCS



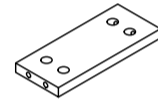
20

350*168(mm)
13.78*6.61(inch)
4PCS



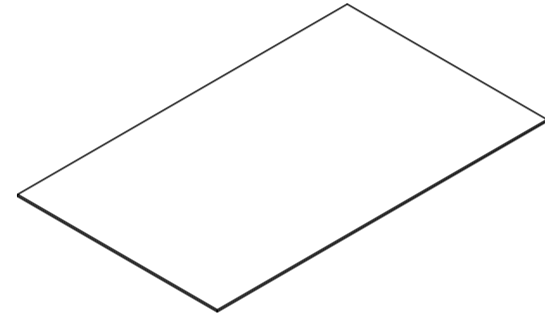
21

191*80(mm)
7.52*3.15(inch)
3PCS



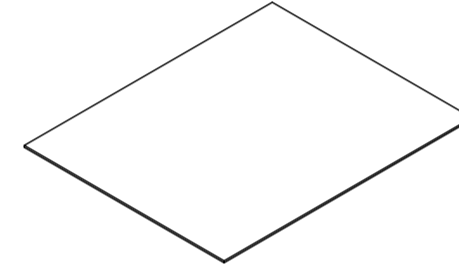
22

617*374(mm)
24.29*14.72(inch)
2PCS



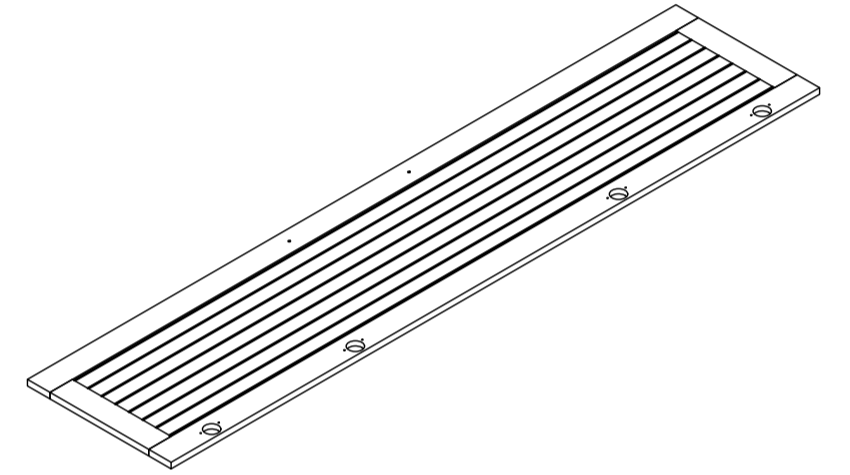
23

464*374(mm)
18.27*14.72(inch)
1PC



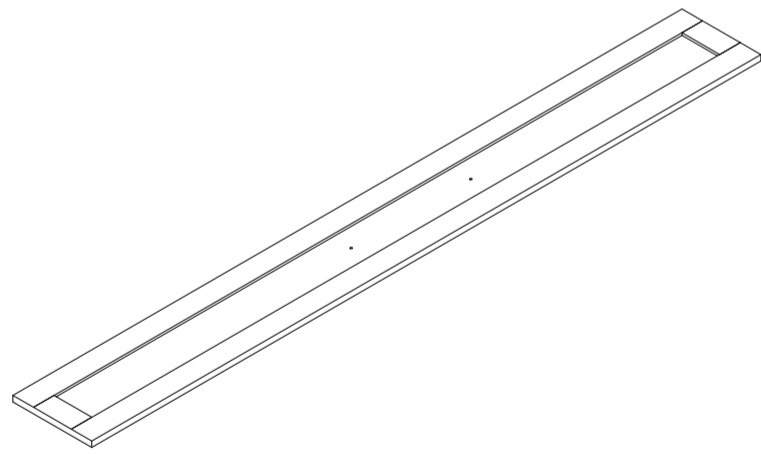
24

1734*384(mm)
68.27*15.12(inch)
1PC

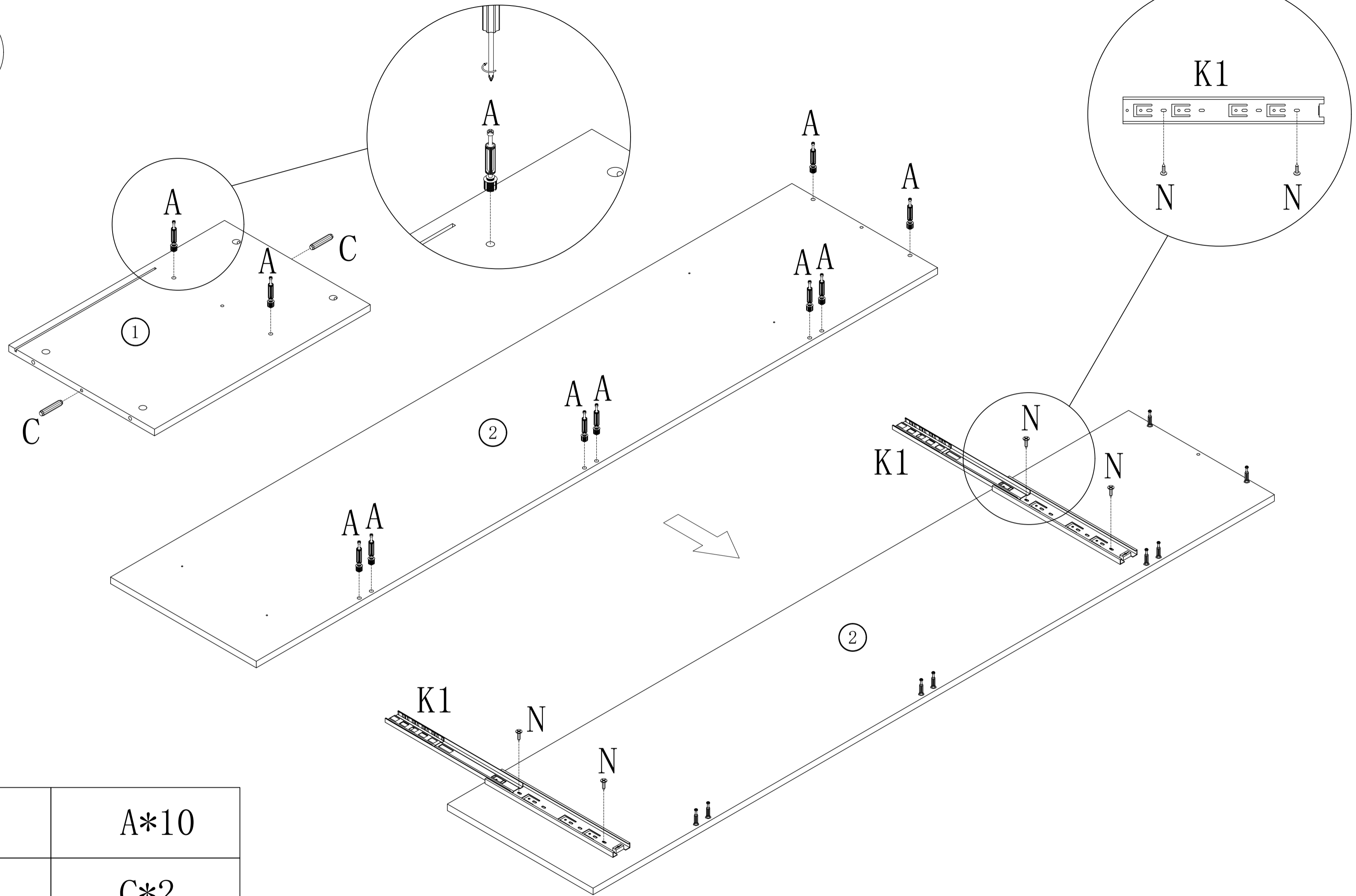


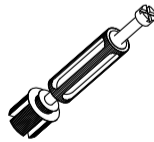
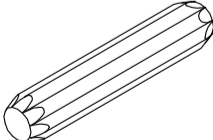

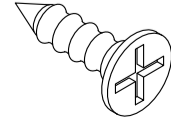
25

1789*211(mm)
70.43*8.31(inch)
1PC



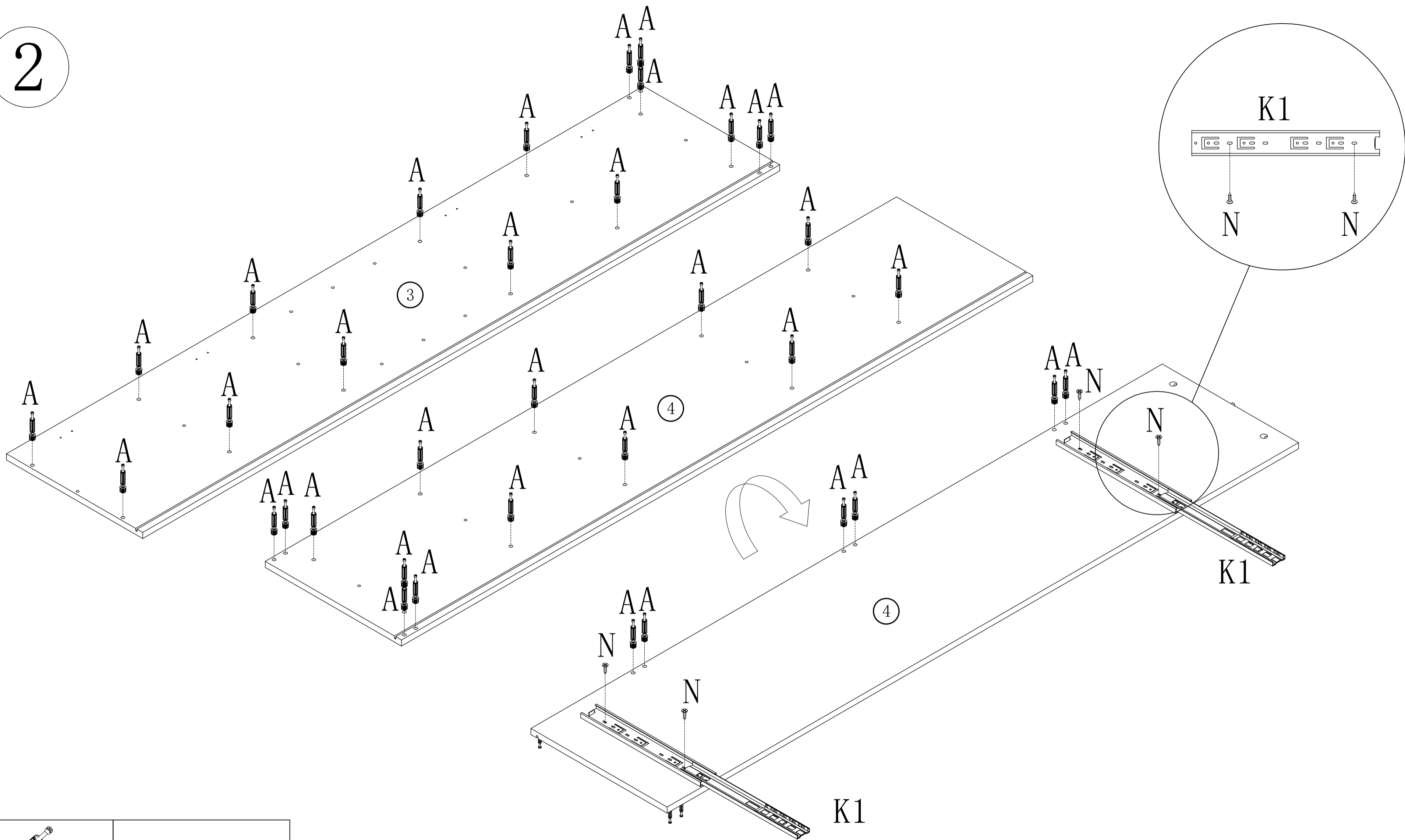
1

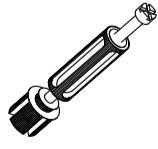

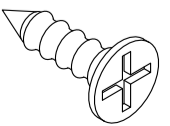


	A*10
	C*2
	K1*2
	N*4

put A on board ① ②
 put C on board ①

2



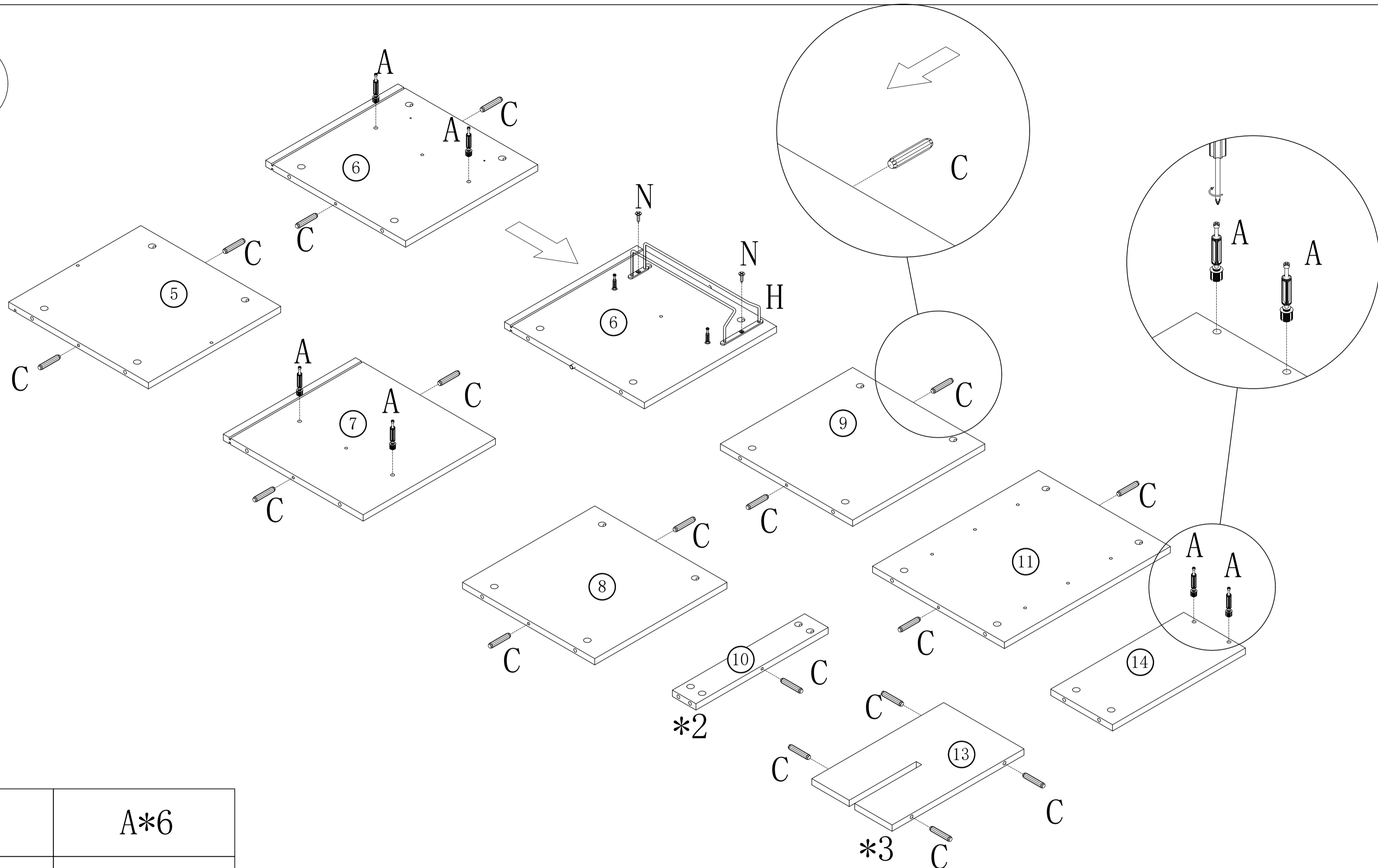
	A*36
	K1*2
	N*4

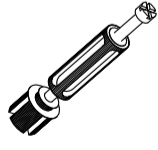
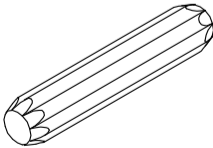
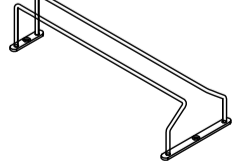
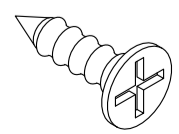
put A on board

3

4

3

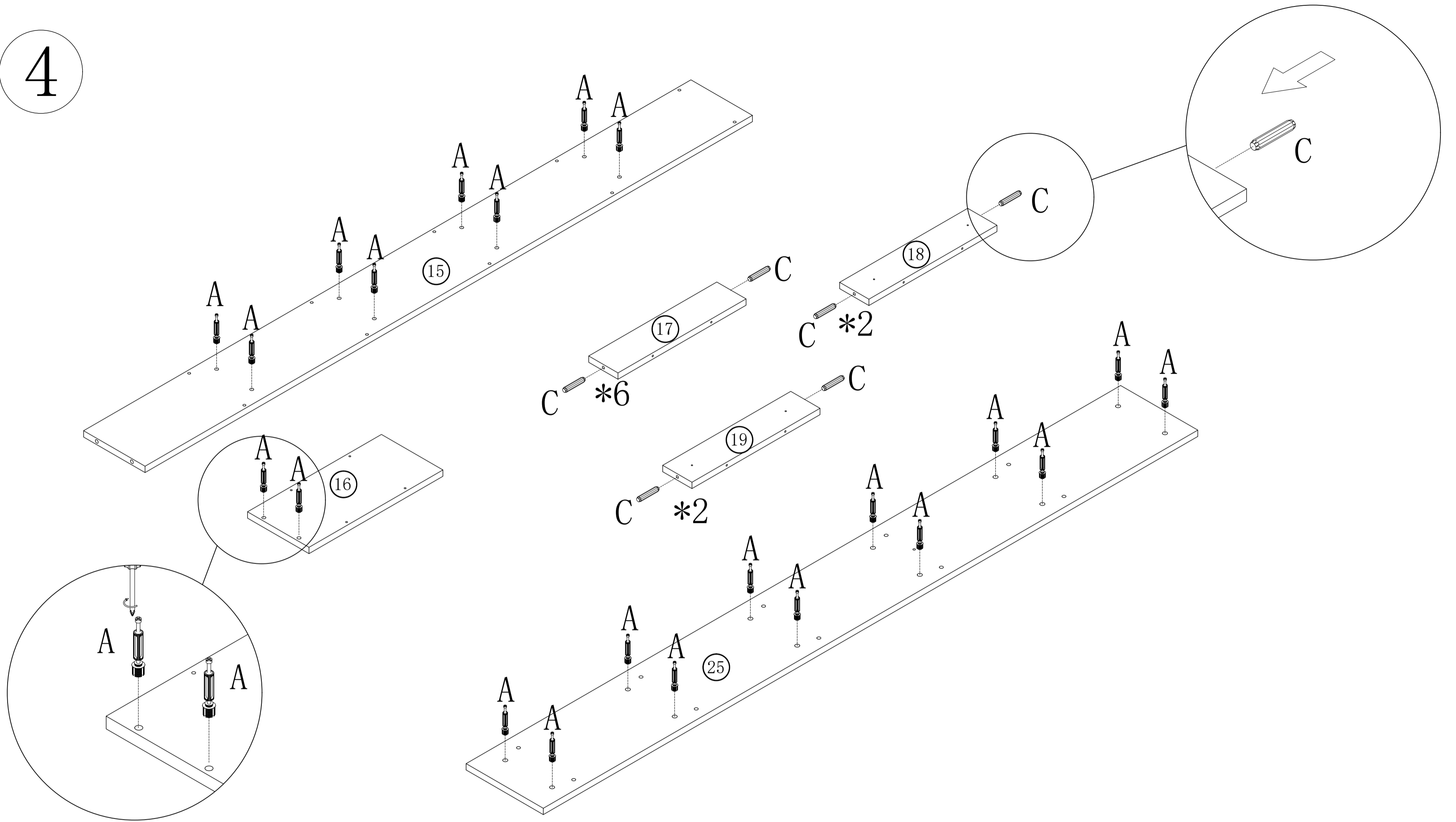


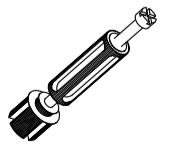
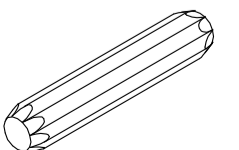
	A*6
	C*26
	H*1
	N*2

put A on board
 put C on board

- (6) (7) (14)
 (5) (6) (7) (8) (9) (10) (11) (13)

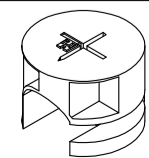
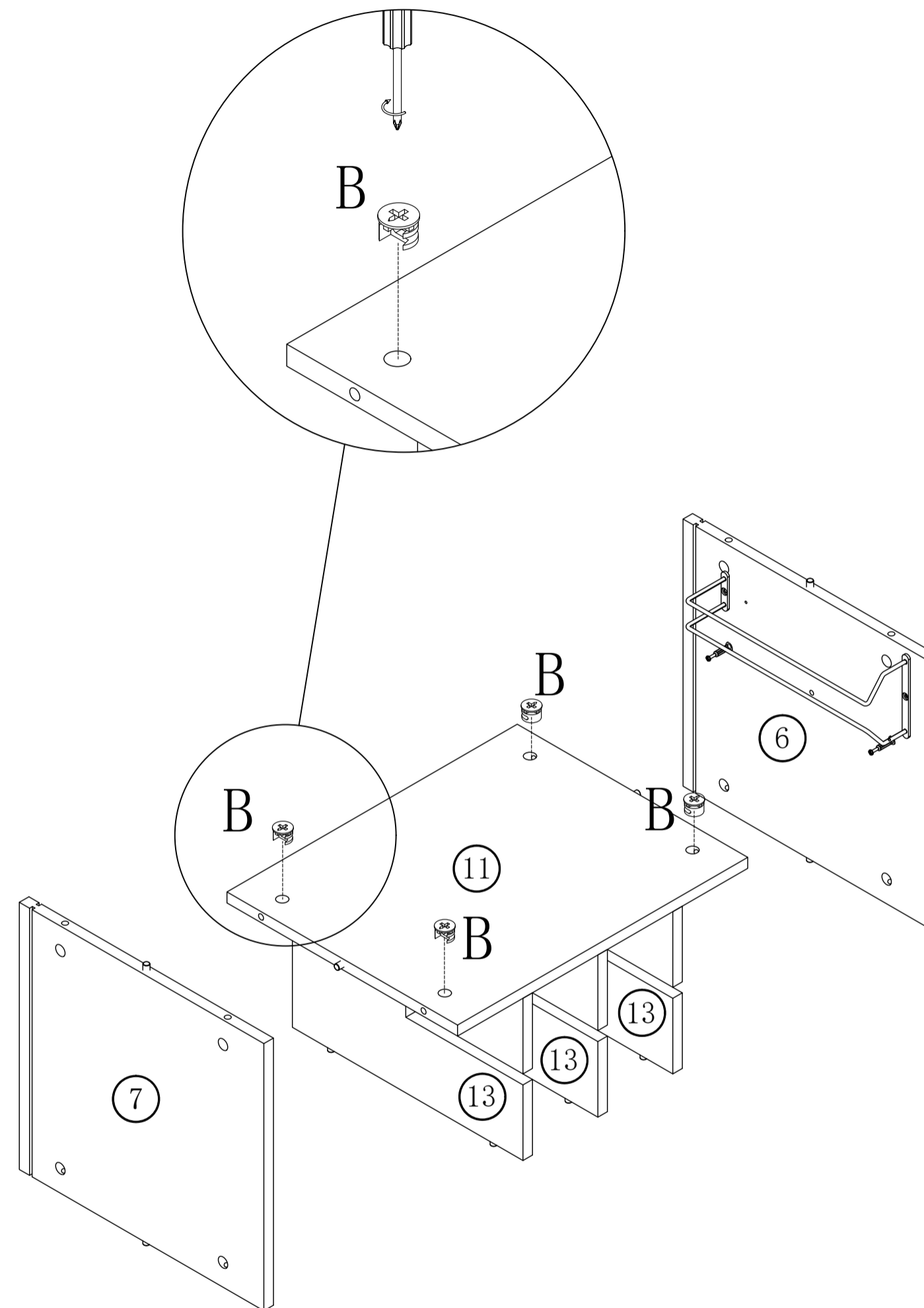
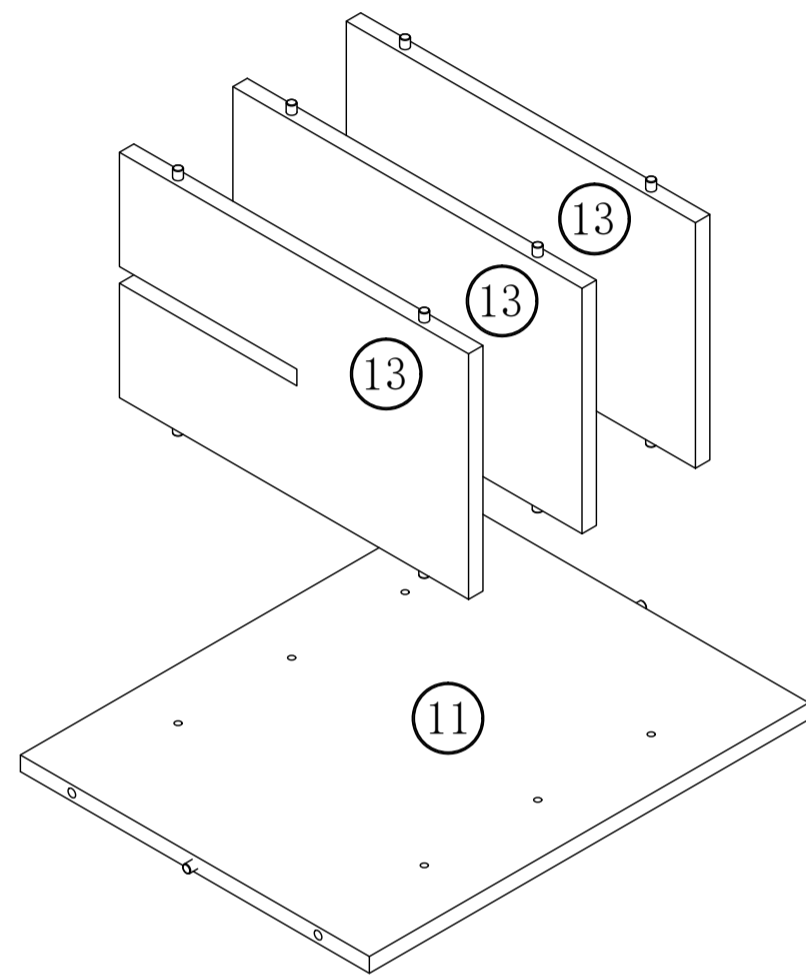
4



	A*22
	C*20

put A on board	15	16	25
put C on board	17	18	19

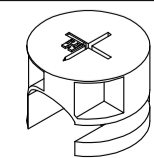
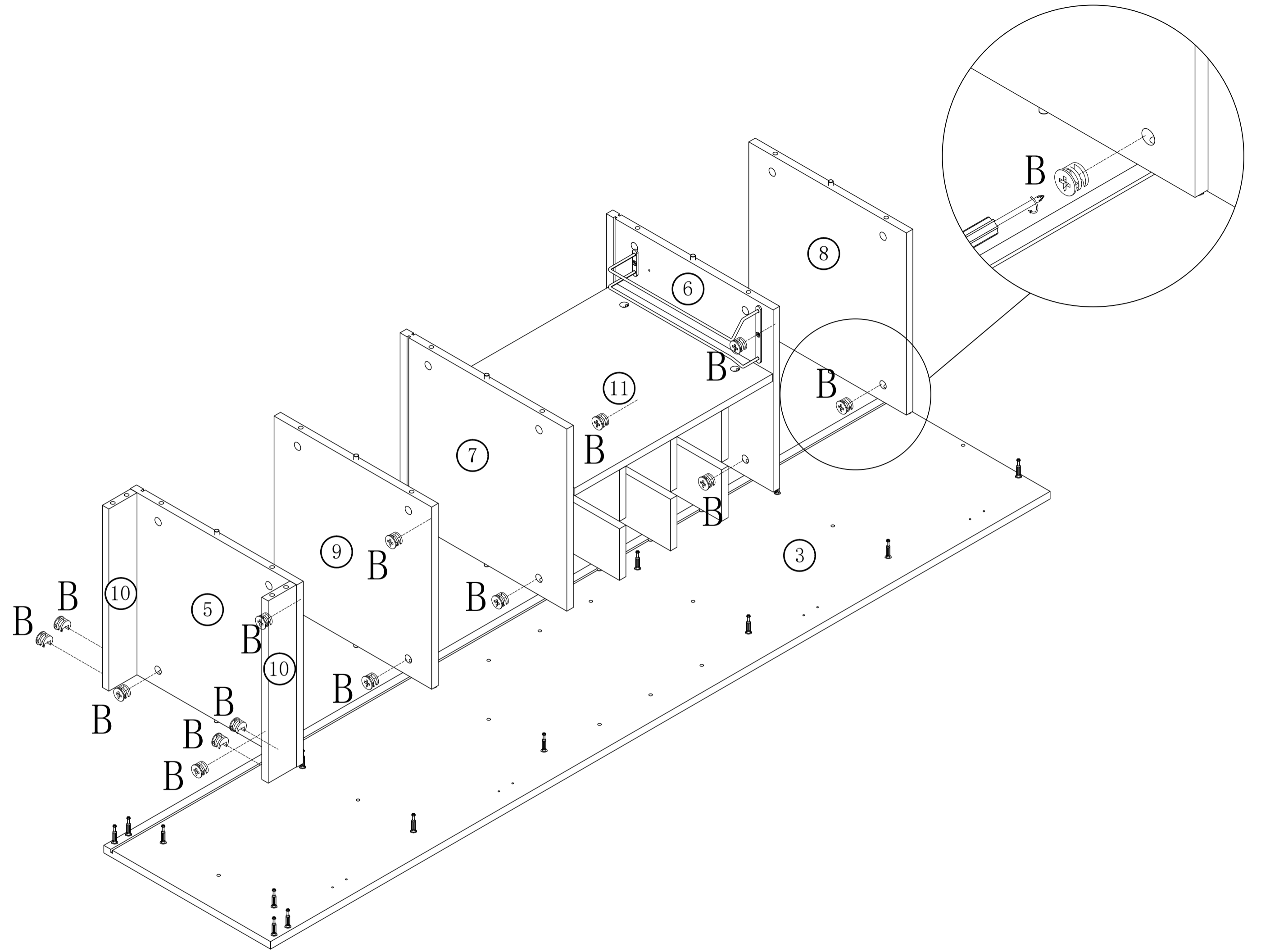
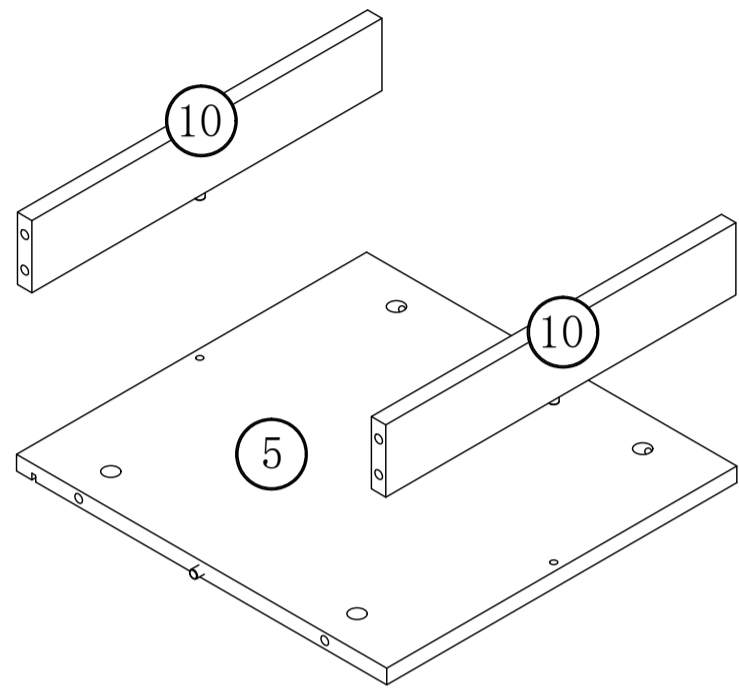
5



B*4

put B on board 11

6



B*14

put B on board

5

6

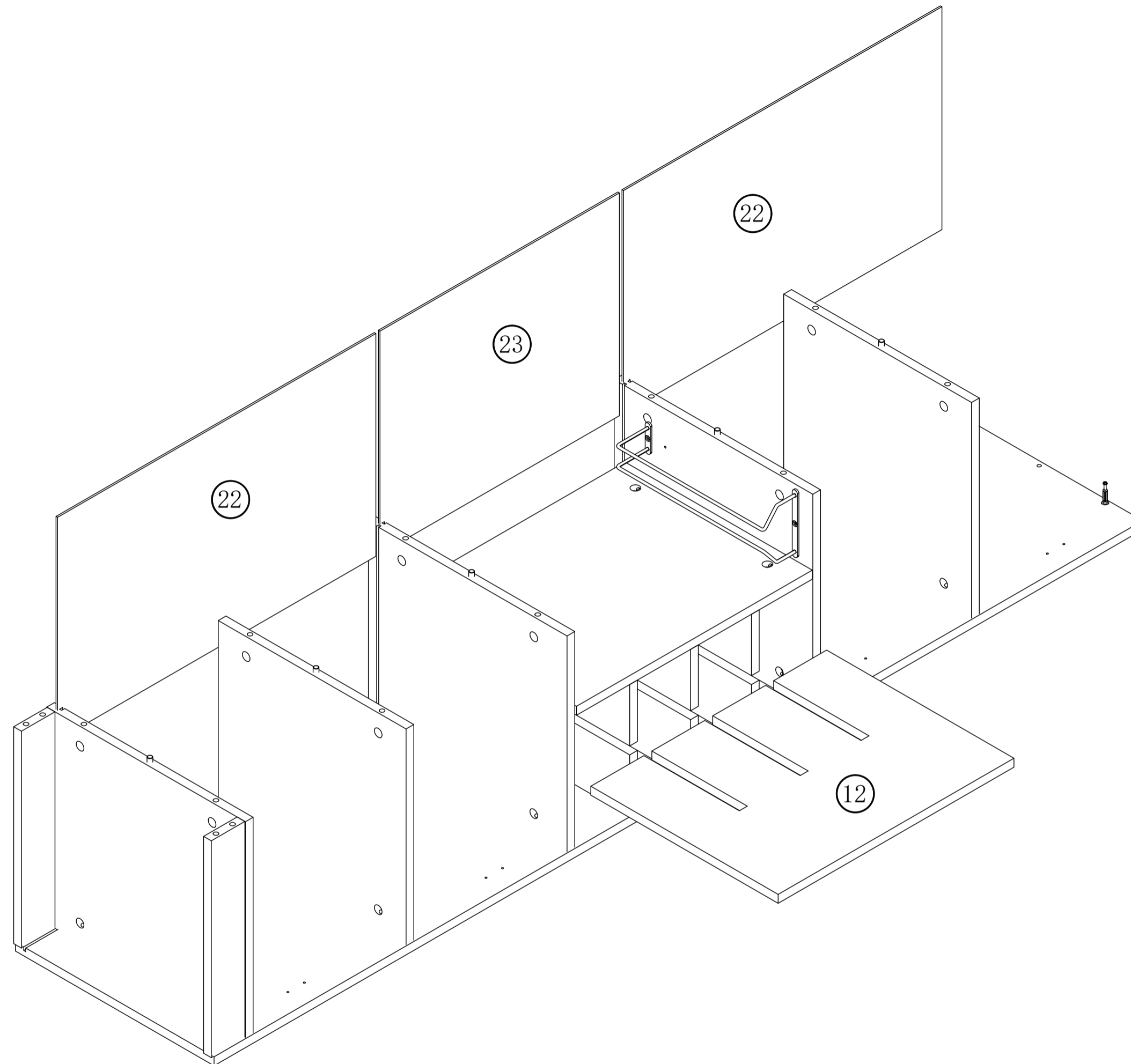
7

8

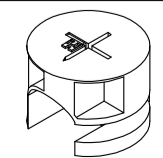
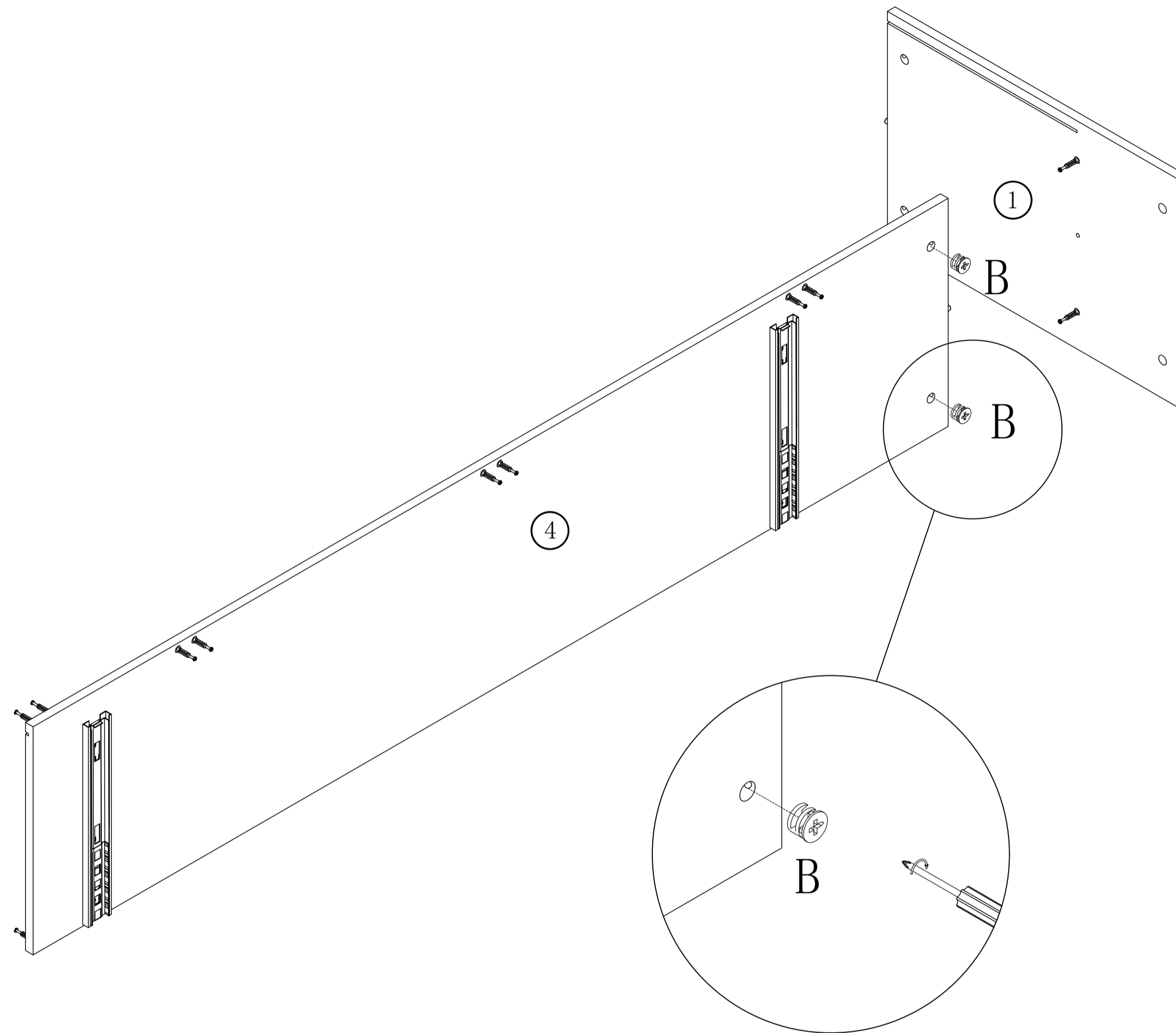
9

10

7



8



B*2

put B on board

5

6

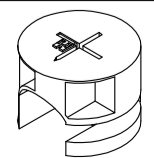
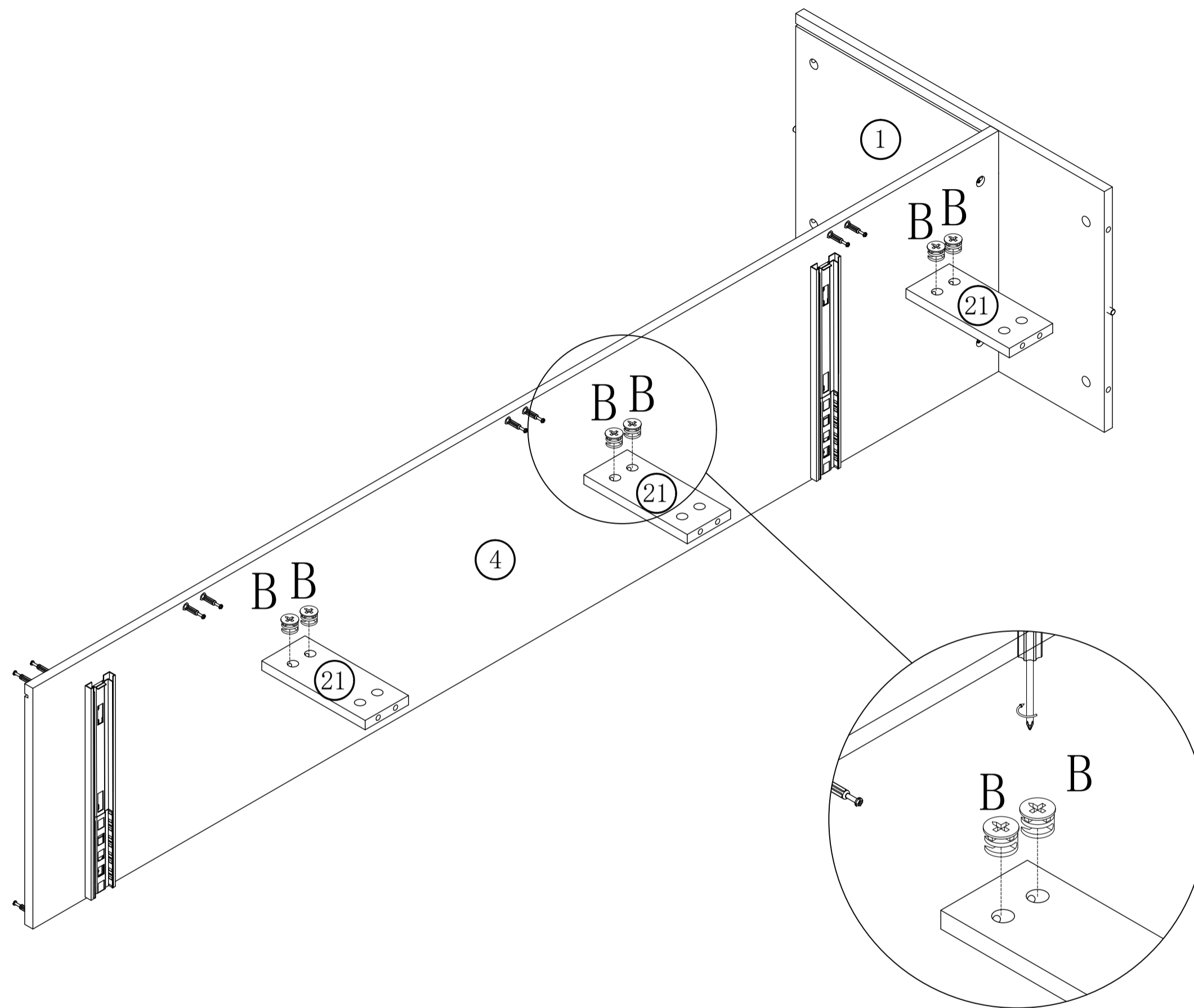
7

8

9

10

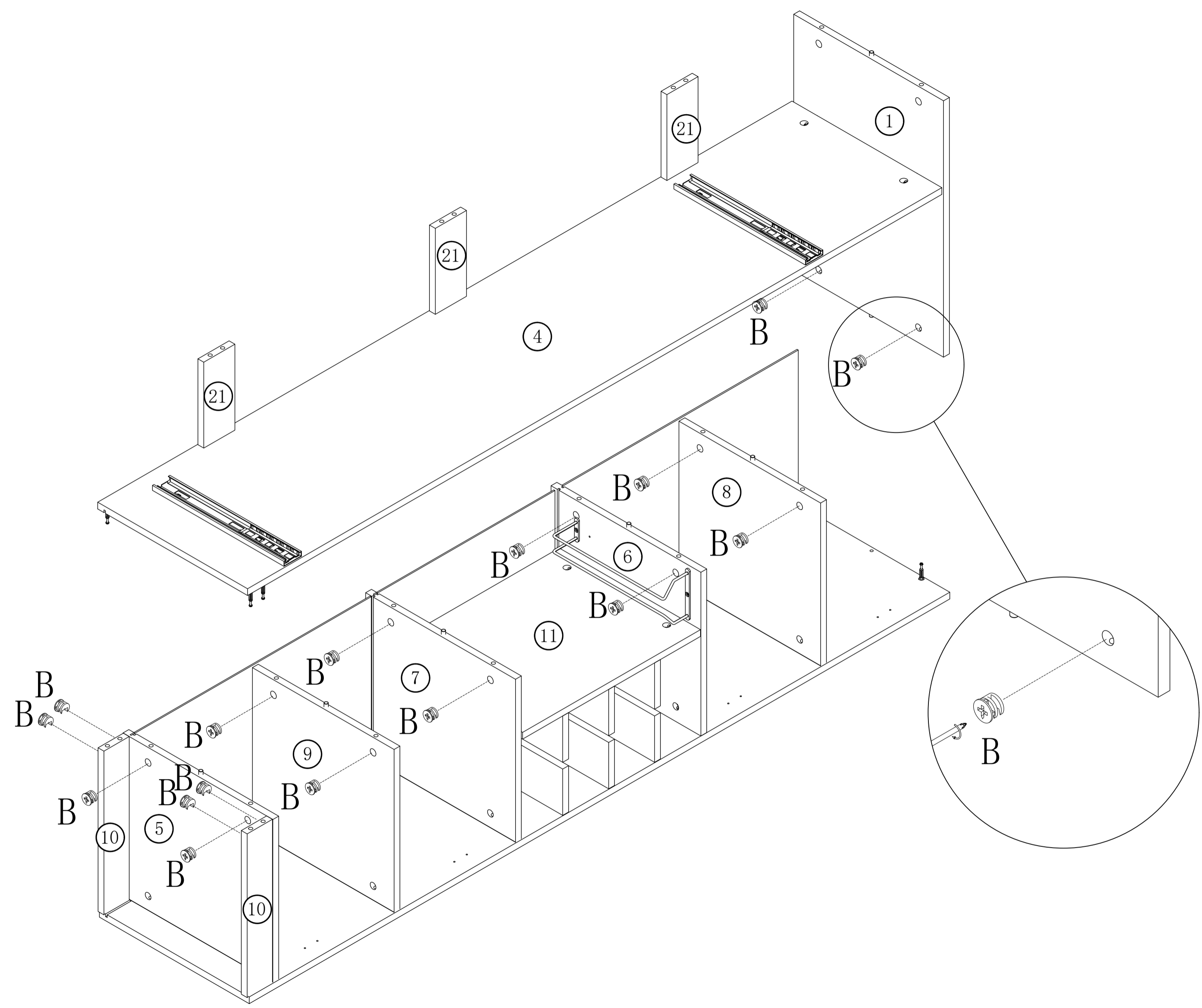
9

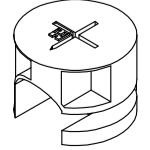


B*6

put B on board (21)

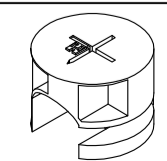
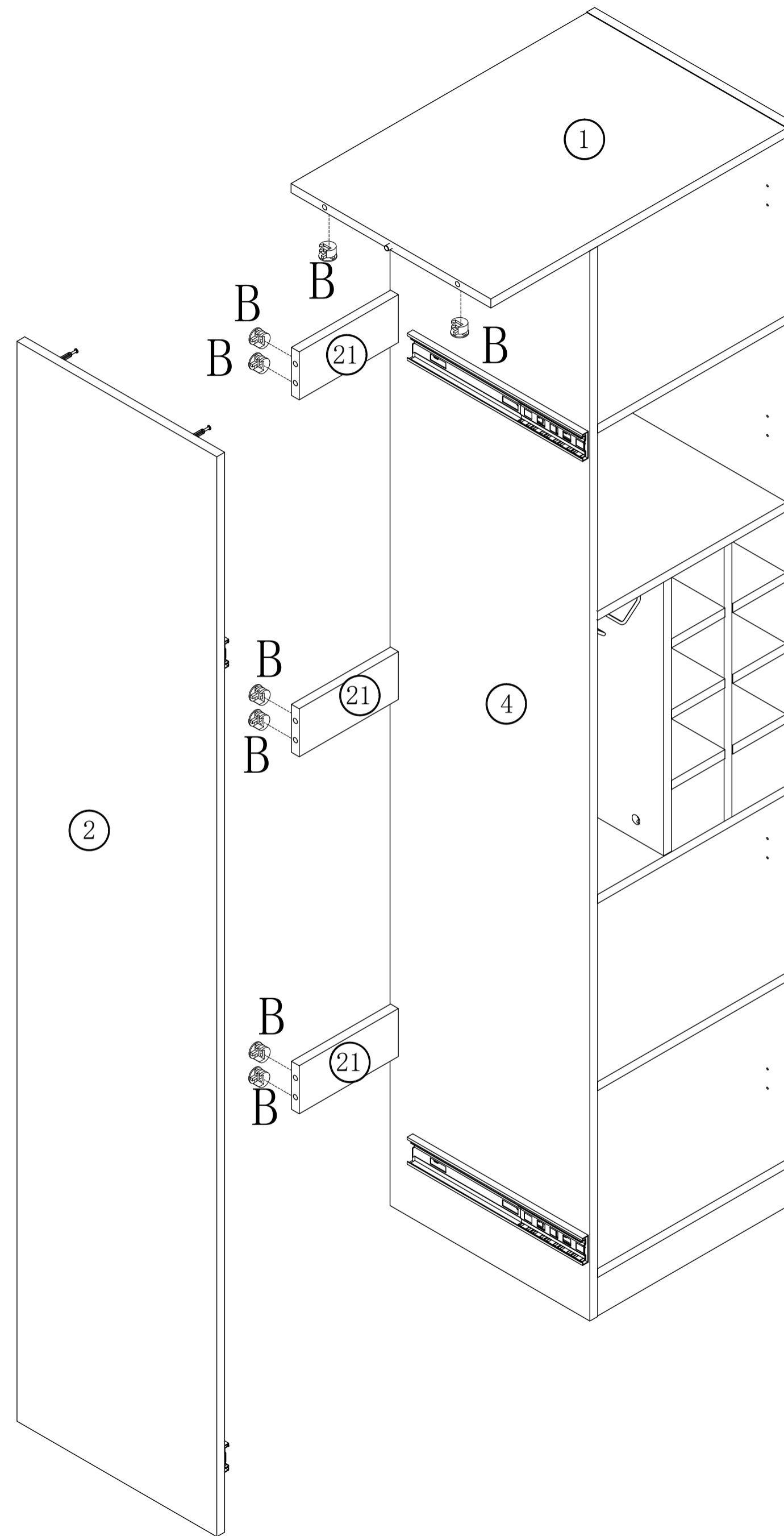
10



 B*16

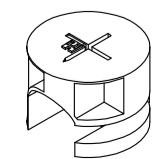
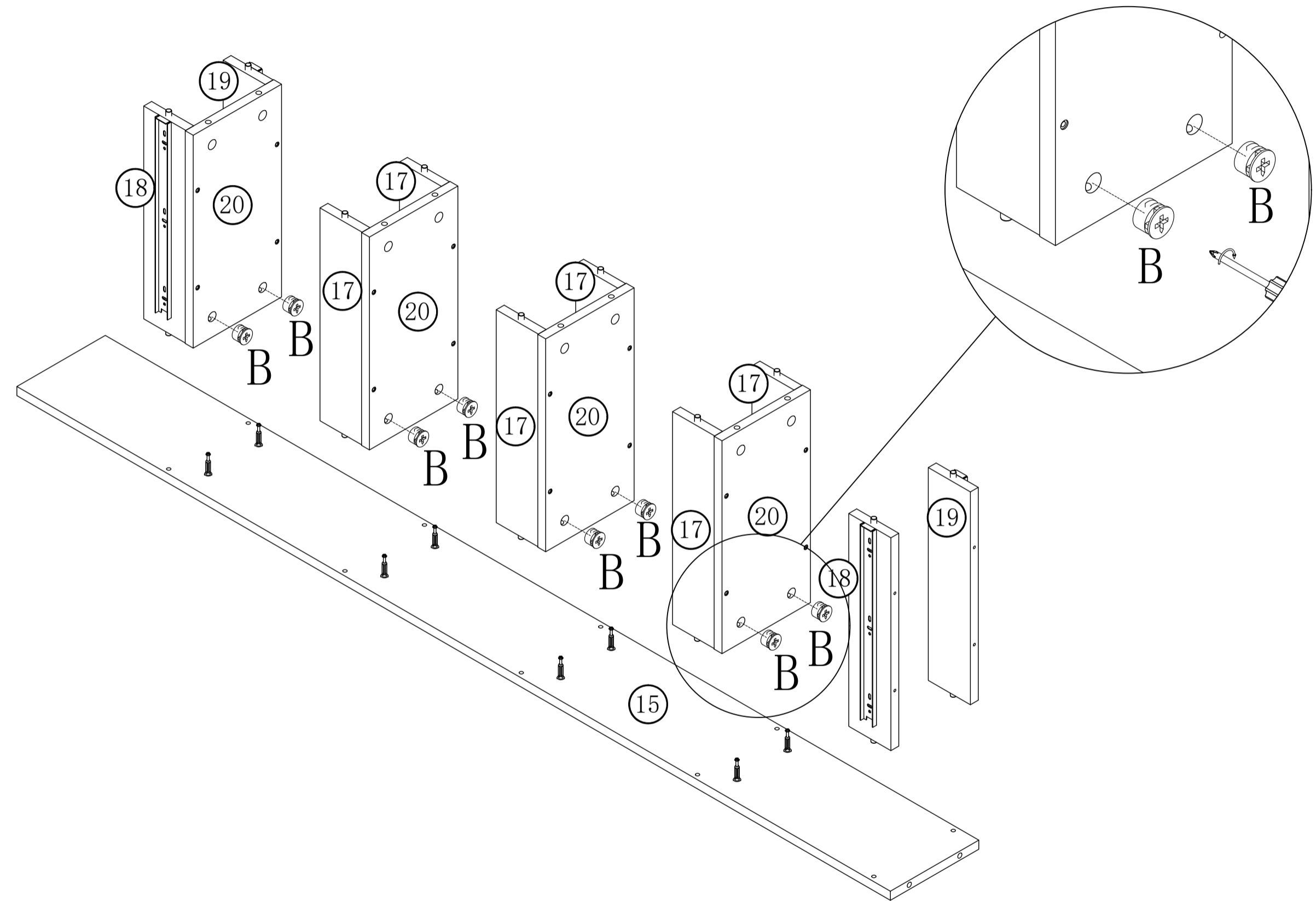
put B on board ① ⑤ ⑥ ⑦ ⑧ ⑨ ⑩

11



B*8

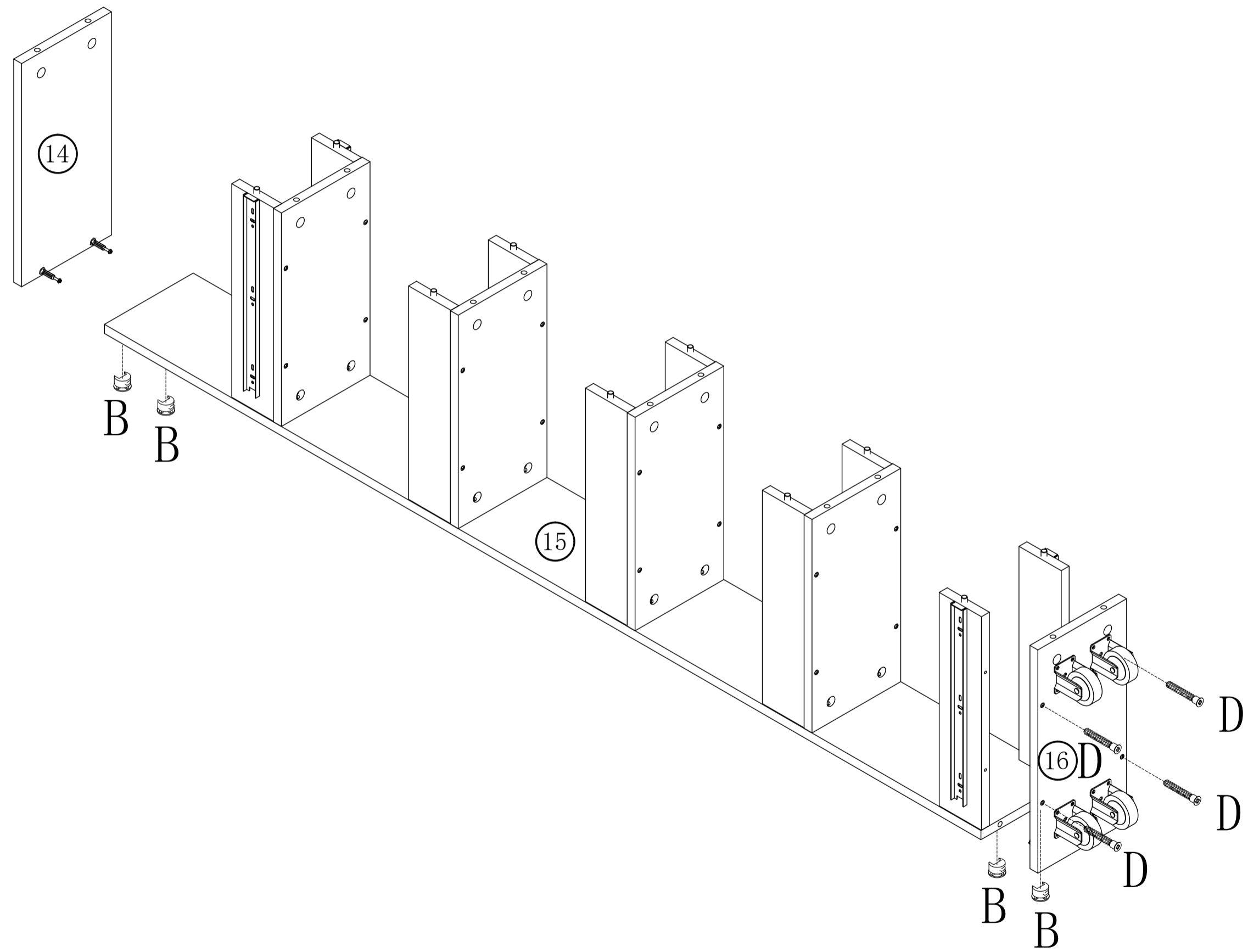
put B on board (21)

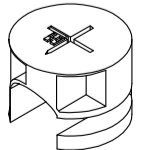
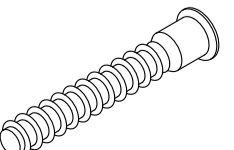


B*8

put B on board (20)

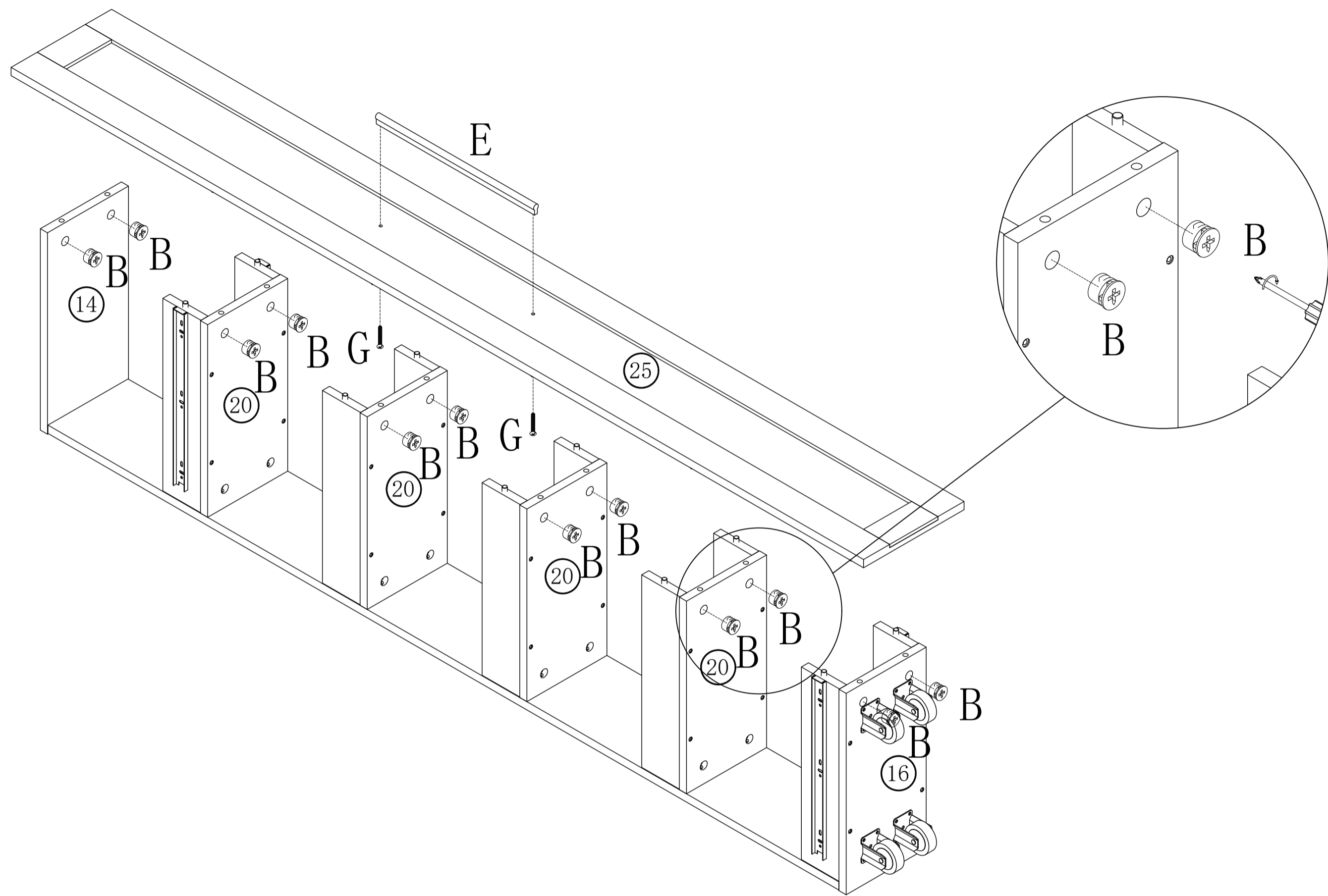
14

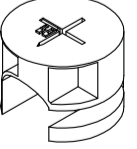
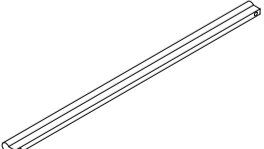
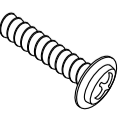


	B*4
	D*4

put B on board 15

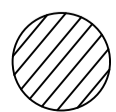
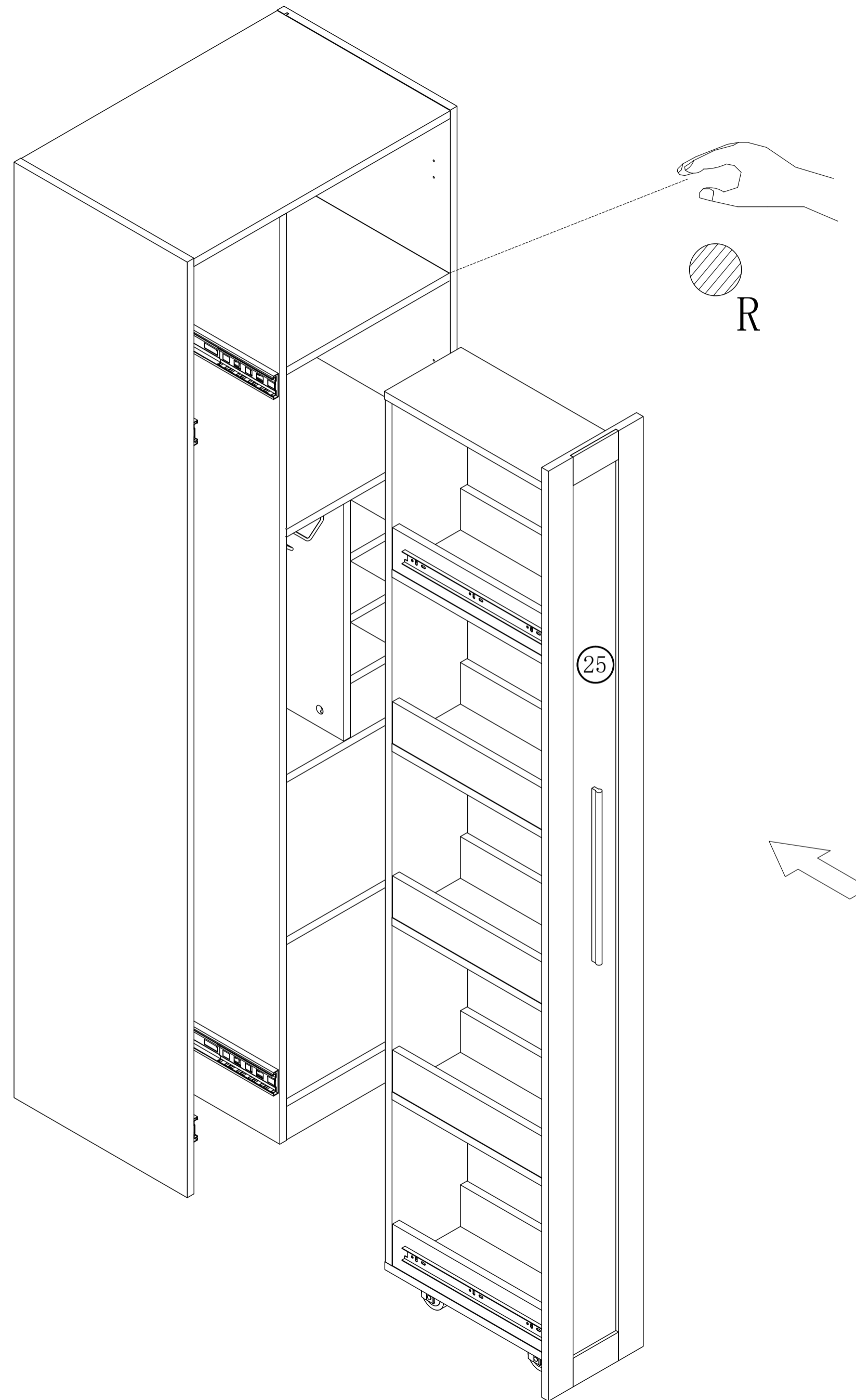
15



	B*12
	E*1
	G*2

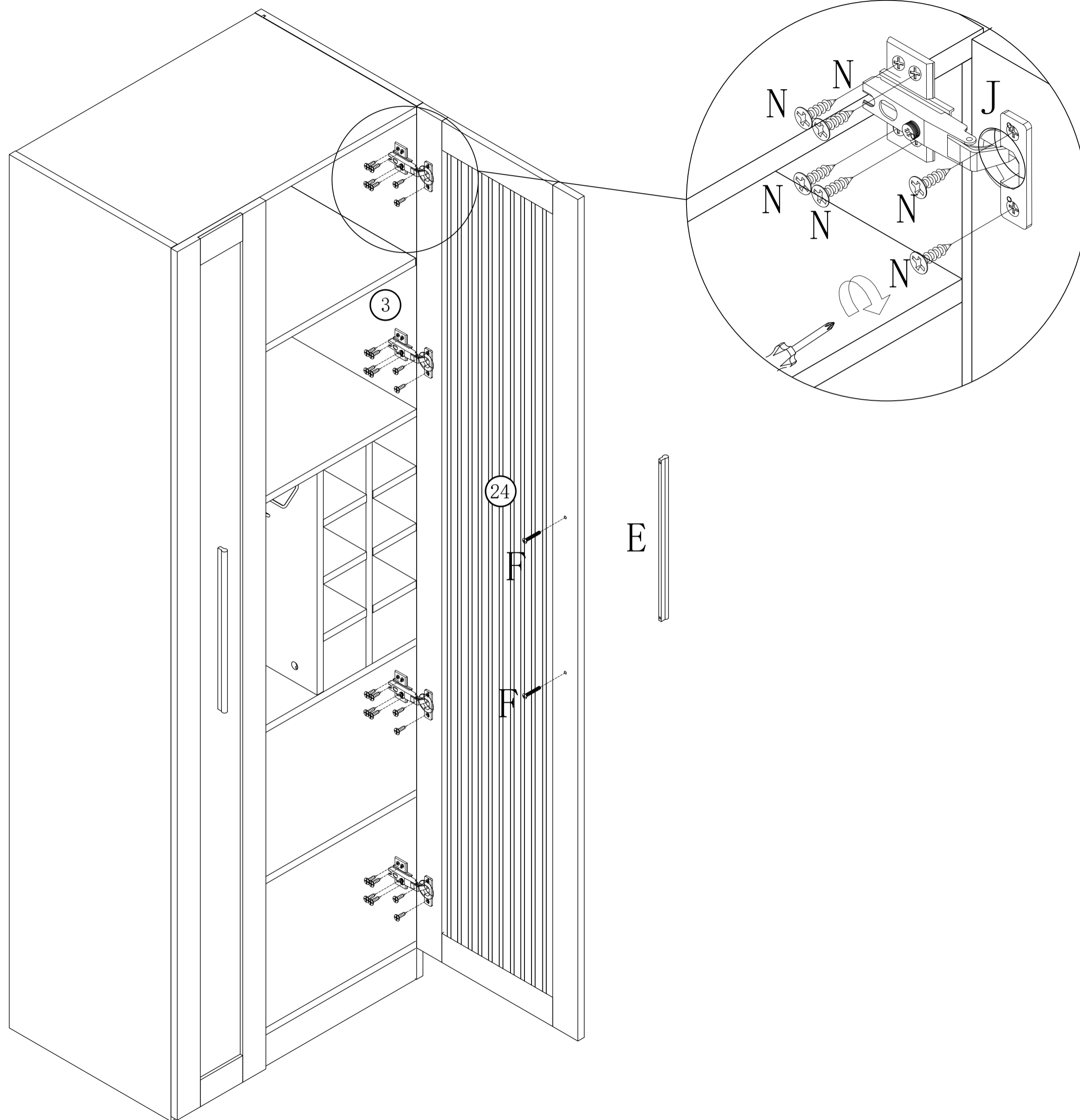
put B on board ⑭ ⑯ ⑰

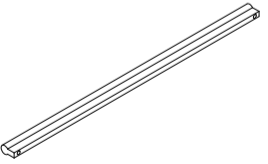

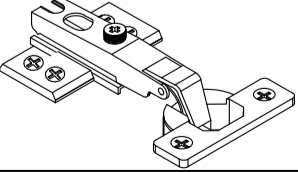
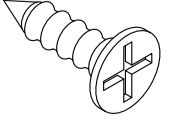
16



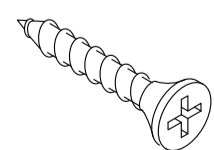
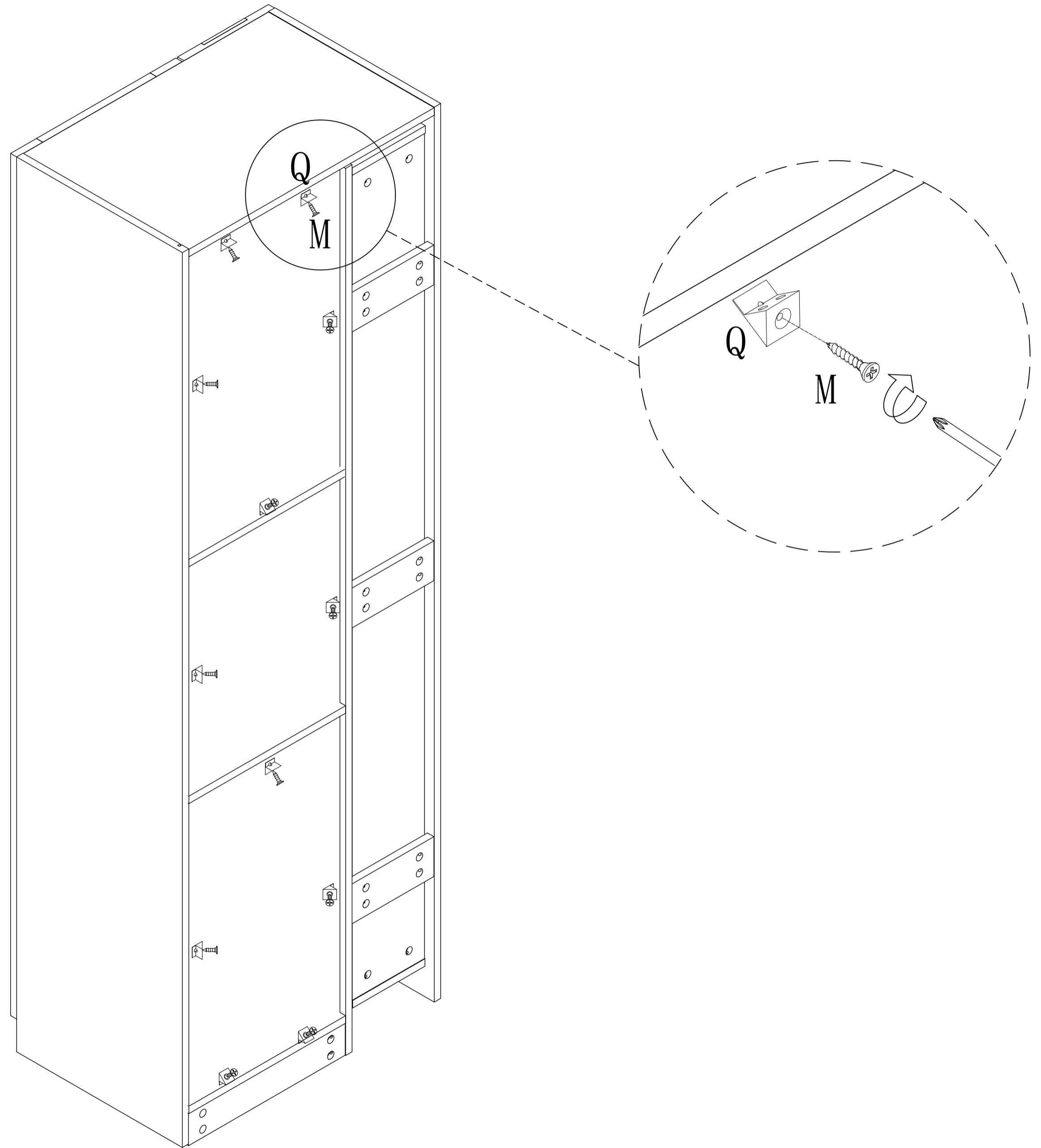
R*62

17

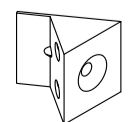


	E*1
	F*2
	J*4
	N*24

18

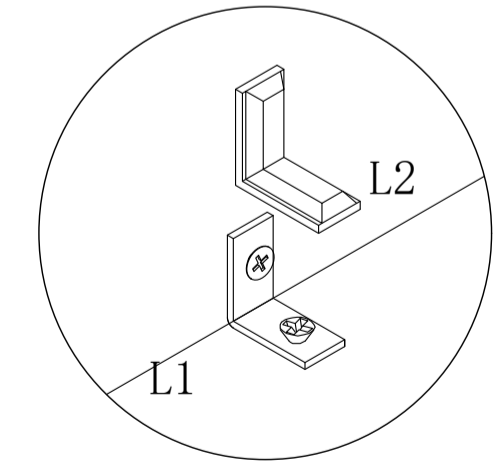
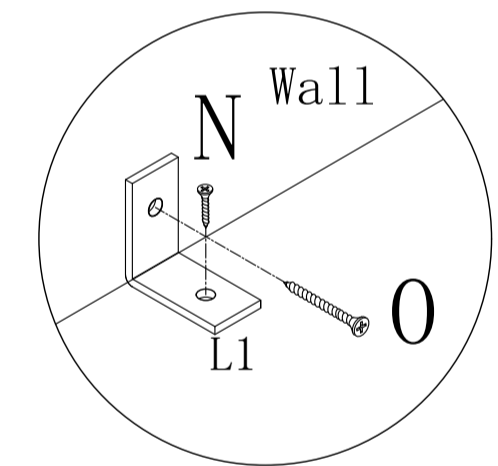
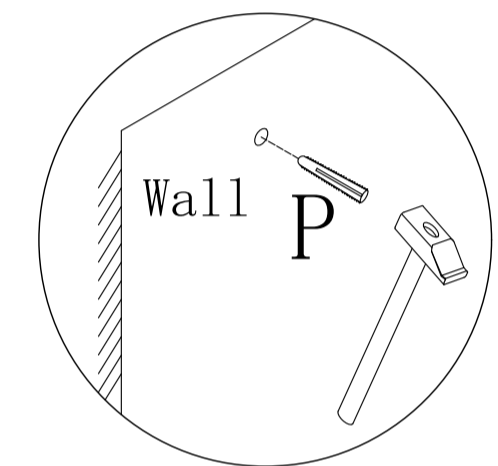
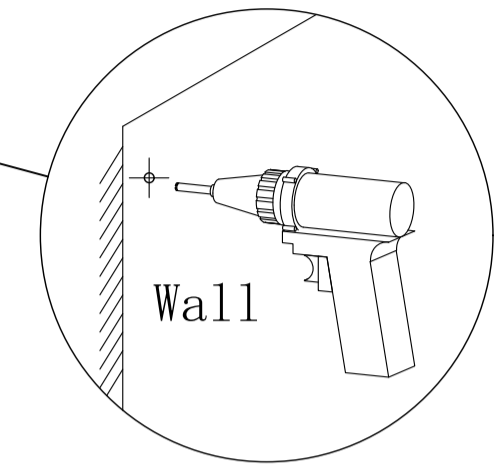
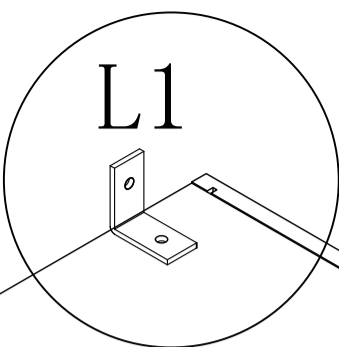
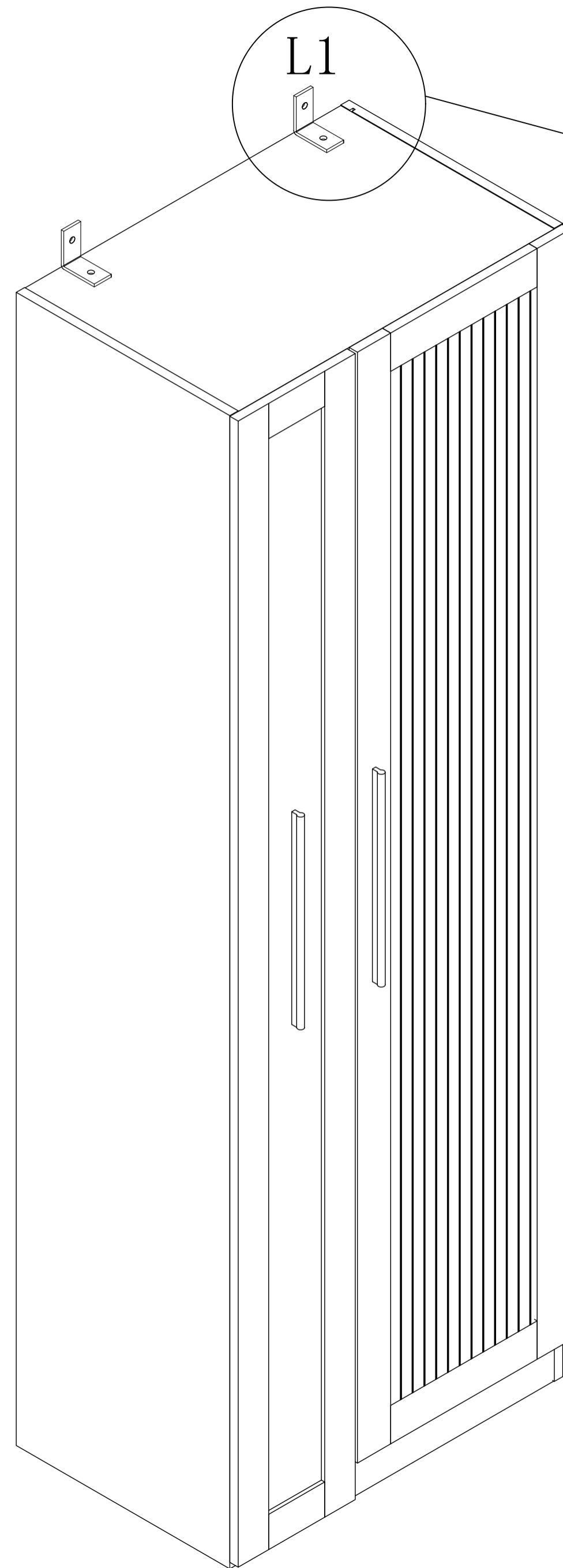


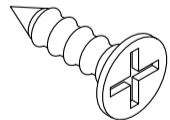
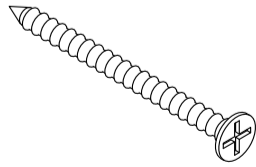
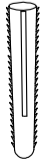
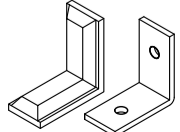
M*12

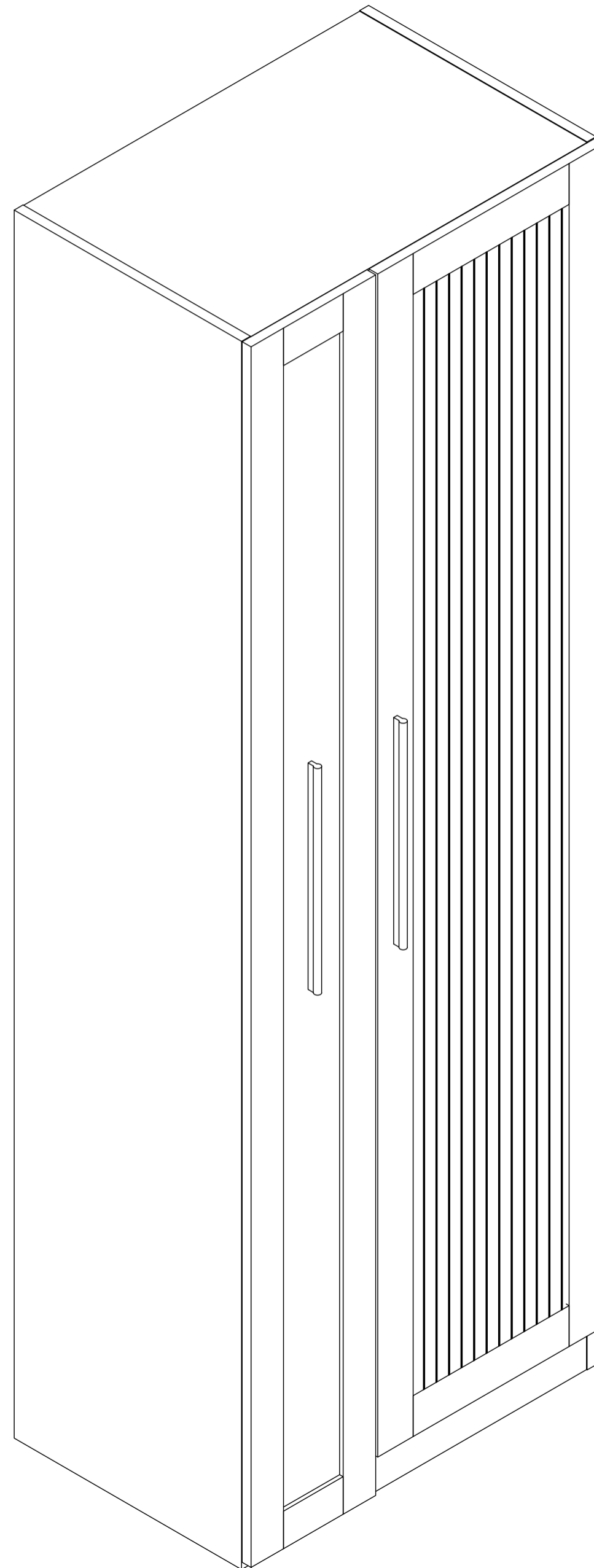


Q*12

19



	N*2
	O*2
	P*2
	L*2



END