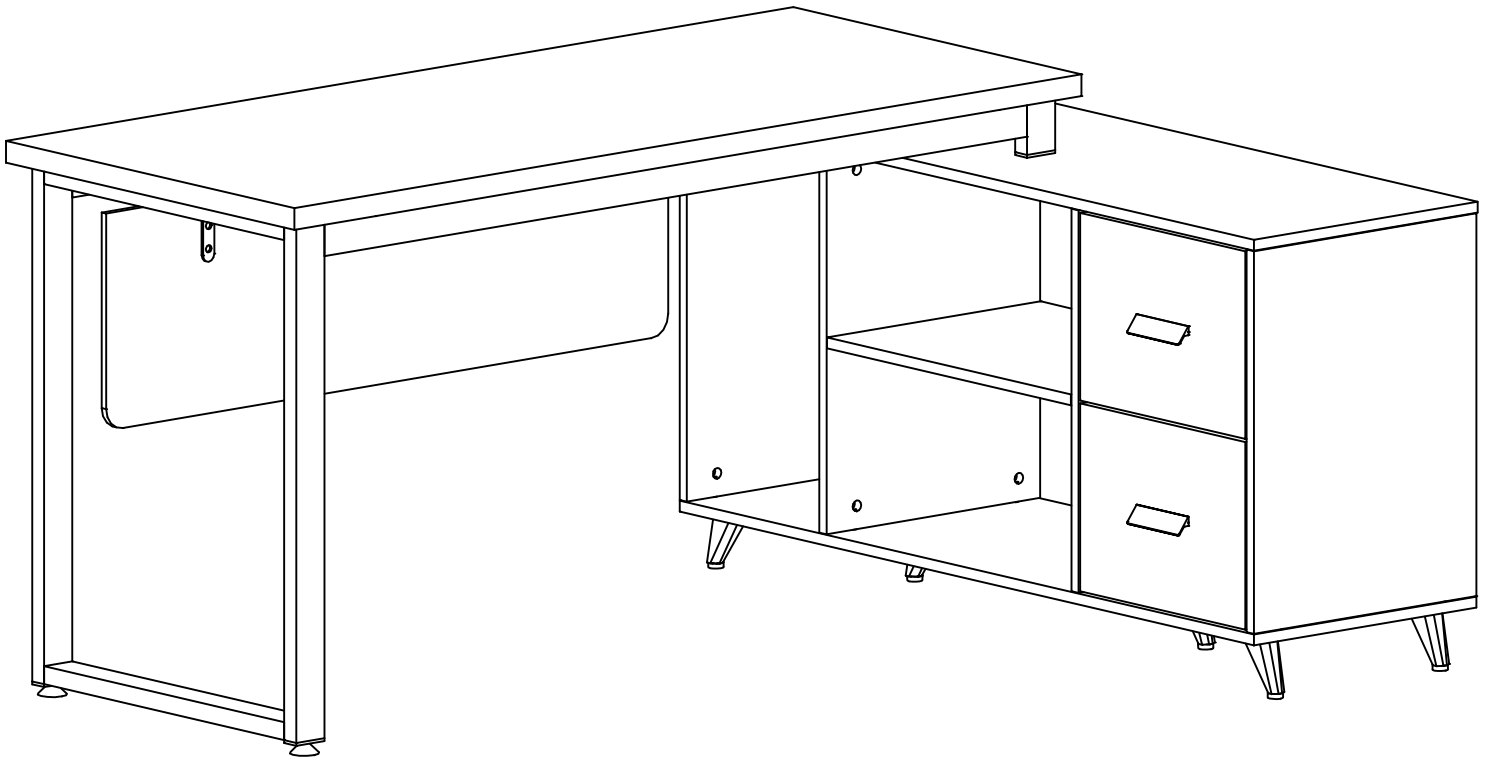
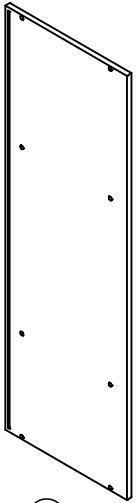


# Installation instructions

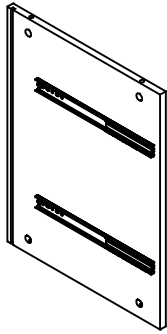


**Tribesigns**  
Way to origin

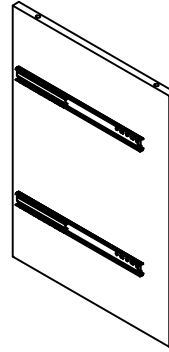
# Accessories show



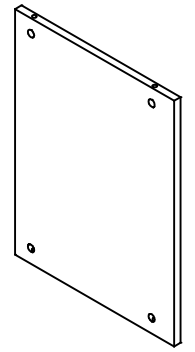
①  
1 pcs



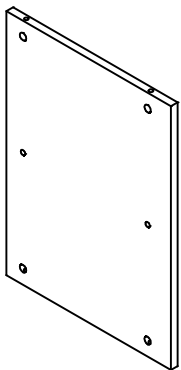
②  
1 pcs



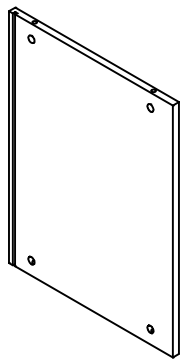
③  
1 pcs



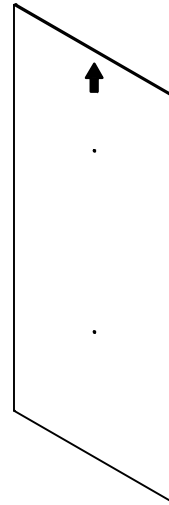
④  
1 pcs



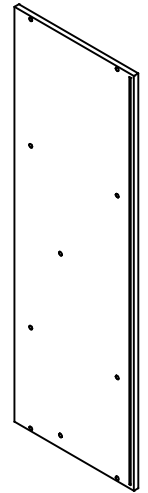
⑤  
1 pcs



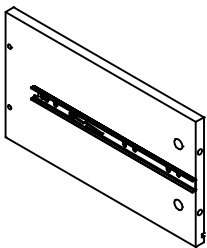
⑥  
1 pcs



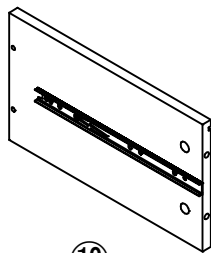
⑦  
1 pcs



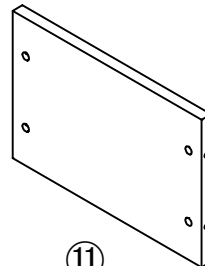
⑧  
1 pcs



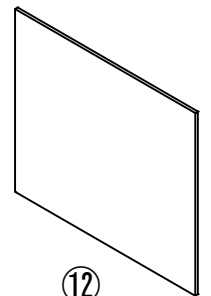
⑨  
2 pcs



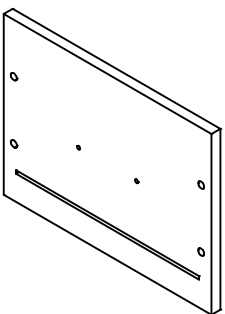
⑩  
2 pcs



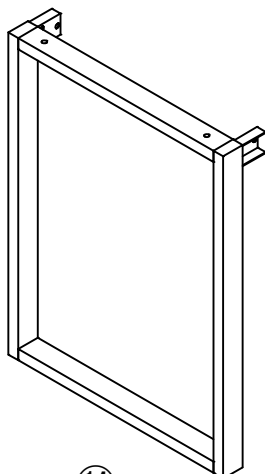
⑪  
2 pcs



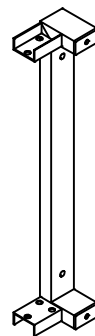
⑫  
2 pcs



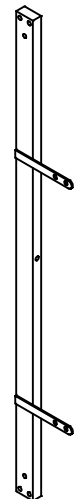
⑬  
2 pcs



⑭  
1 pcs



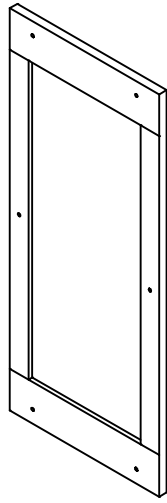
⑮  
1 pcs



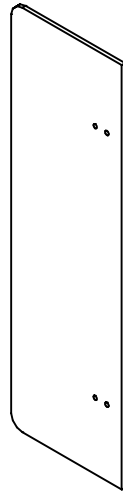
⑯  
1 pcs



17  
1 pcs



18  
1 pcs



19  
1 pcs



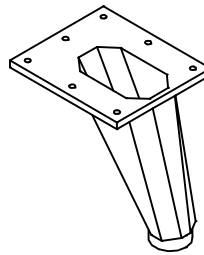
A  
28 pcs



B  
28 pcs



C  
2 pcs



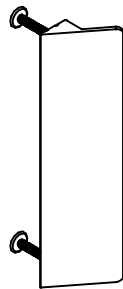
D  
4 pcs



E  
24 pcs



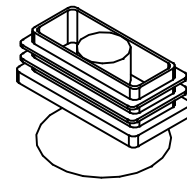
F  
8 pcs



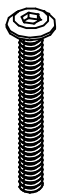
G  
2 pcs



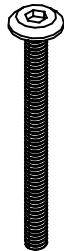
H  
12 pcs



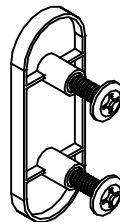
I  
2 pcs



J  
4 pcs



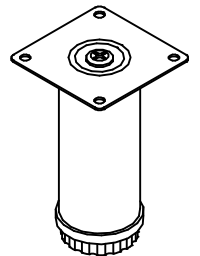
K  
2 pcs



L  
2 pcs



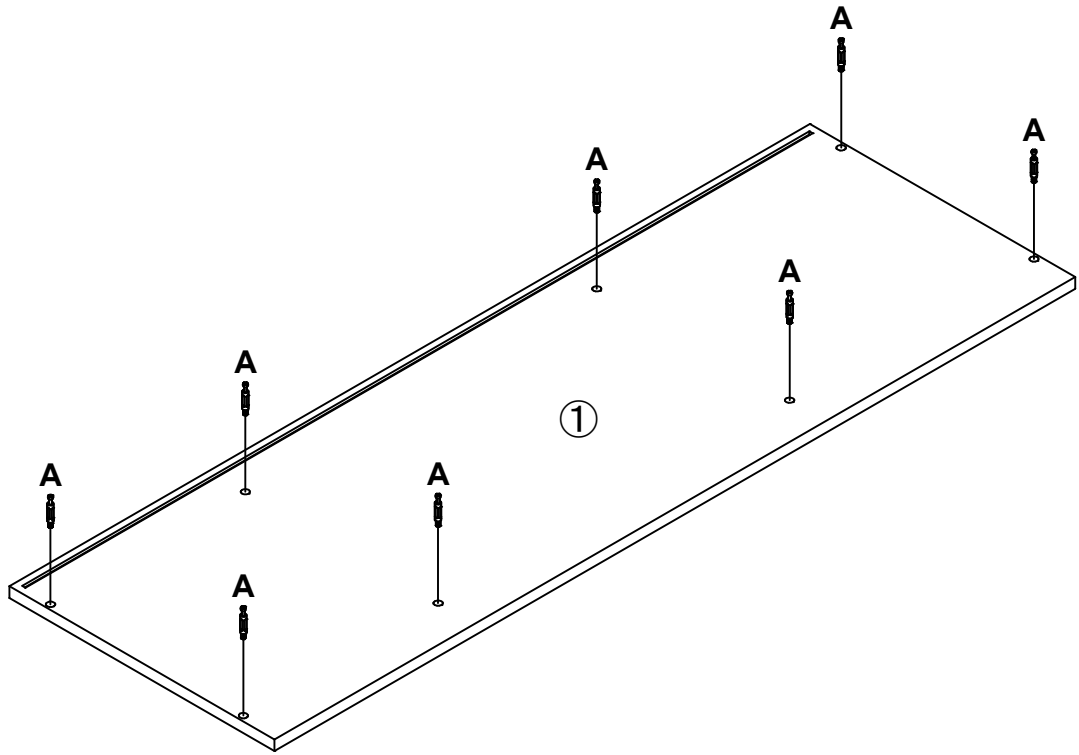
M  
2 pcs



N  
2 pcs

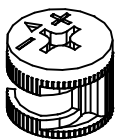
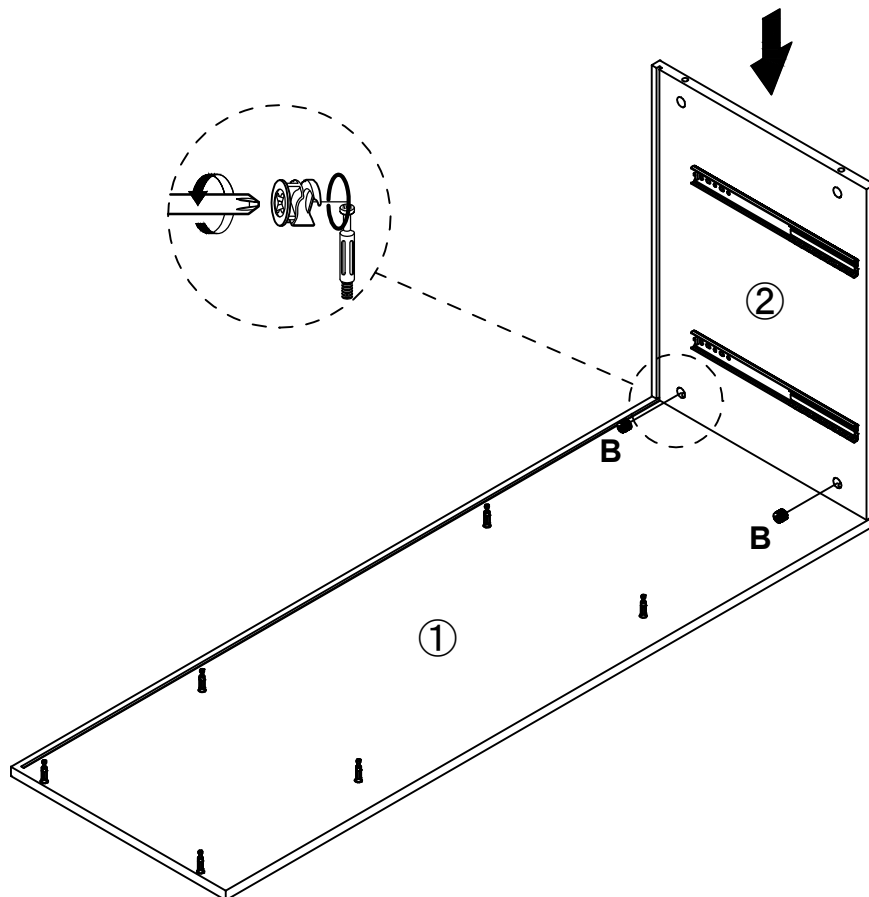
---

**Notes:** Don't tighten screws completely at first, just in case parts were assembled wrong and need disassembled. Tighten screws at last when all parts are put together.



A

01

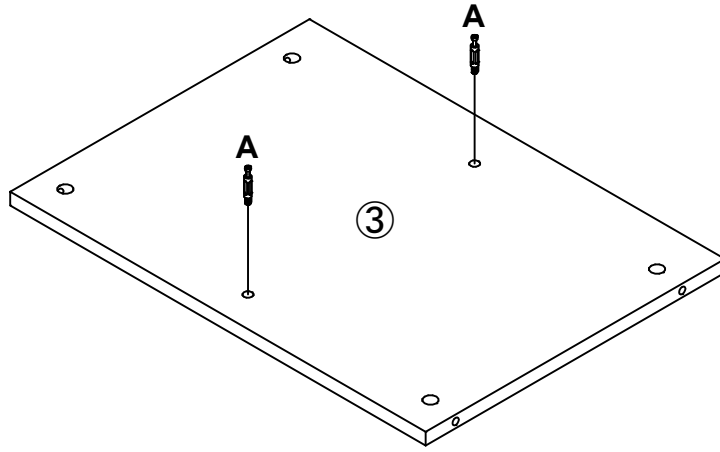


B

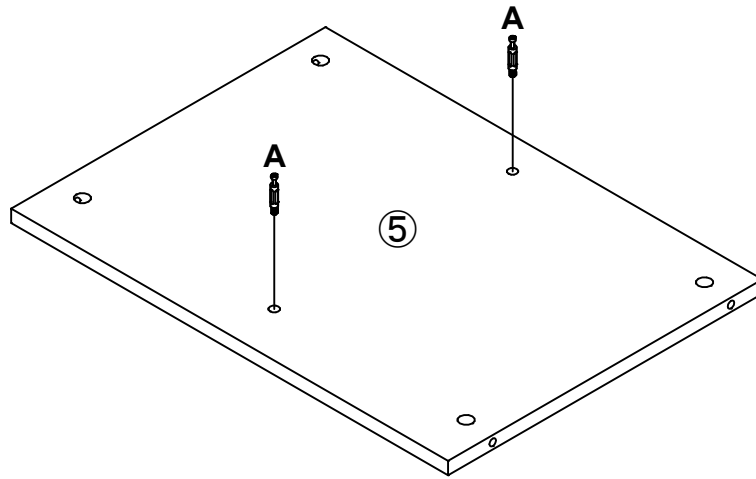
02



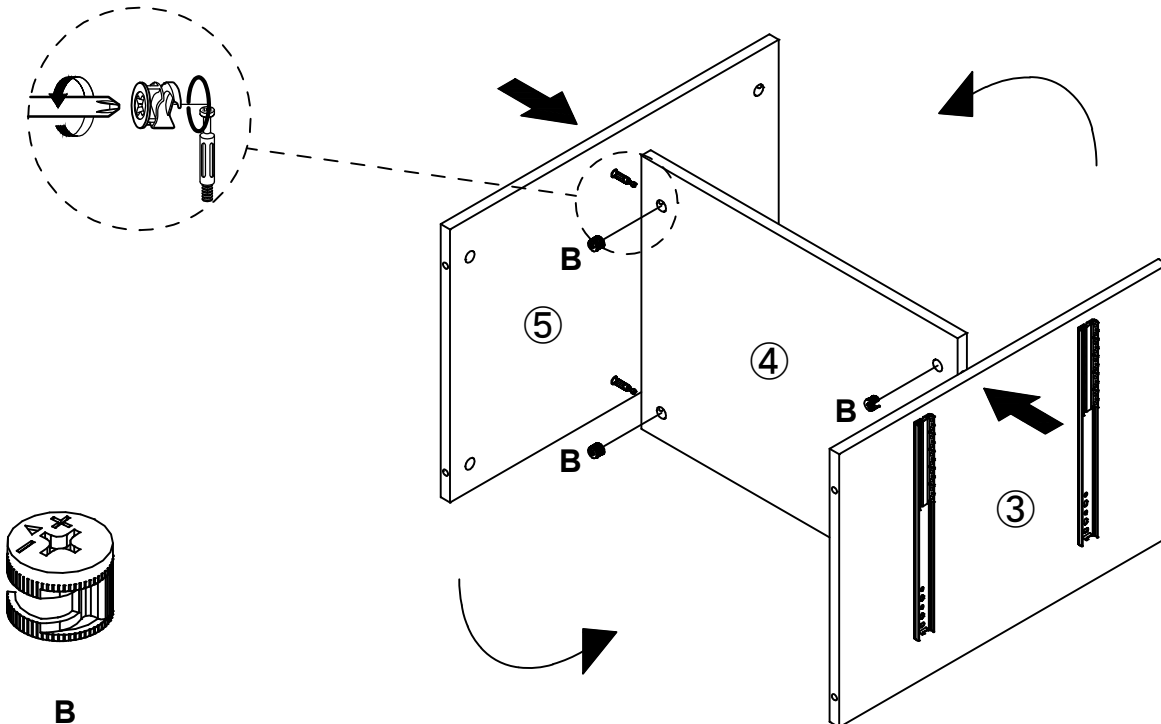
A



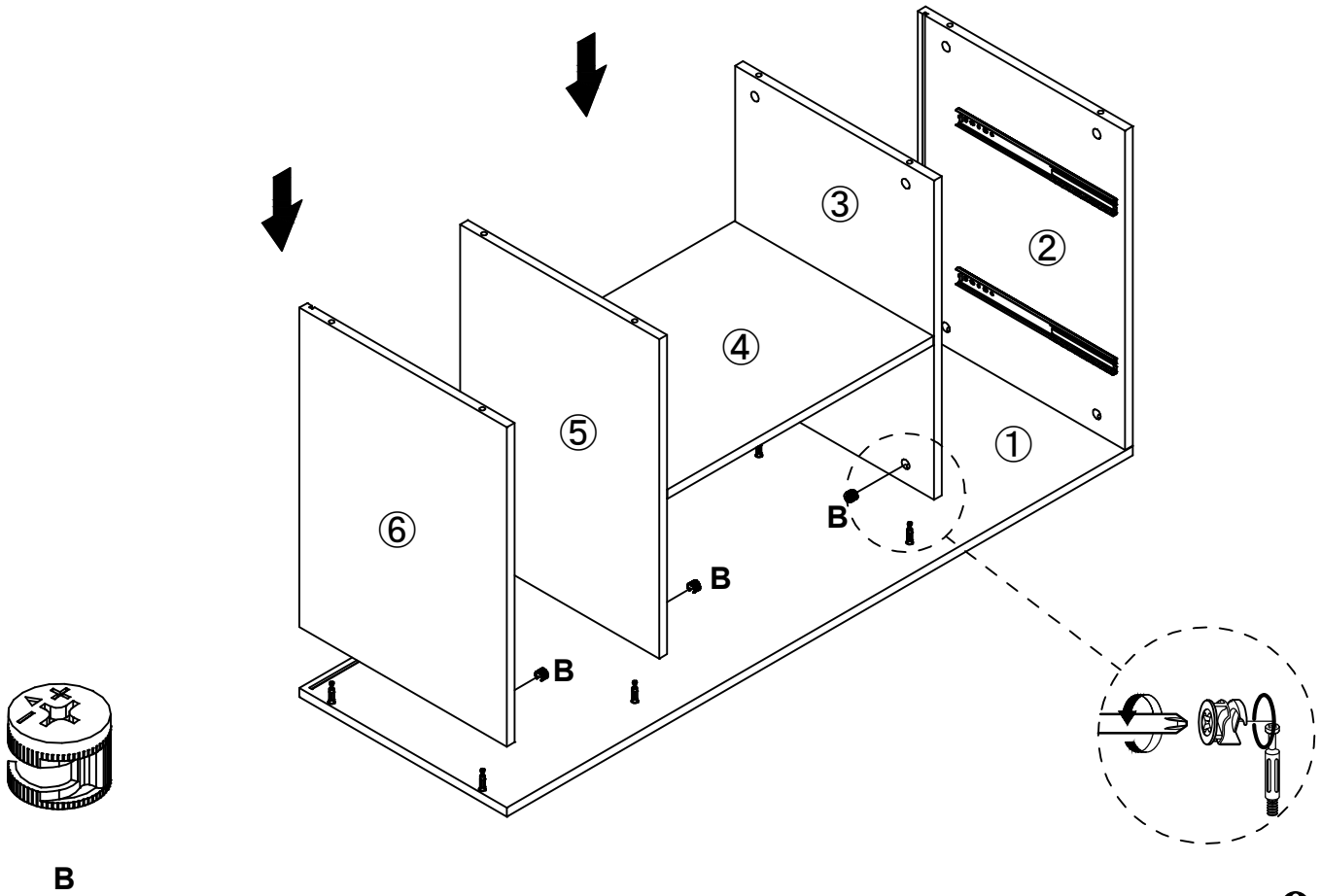
03



04

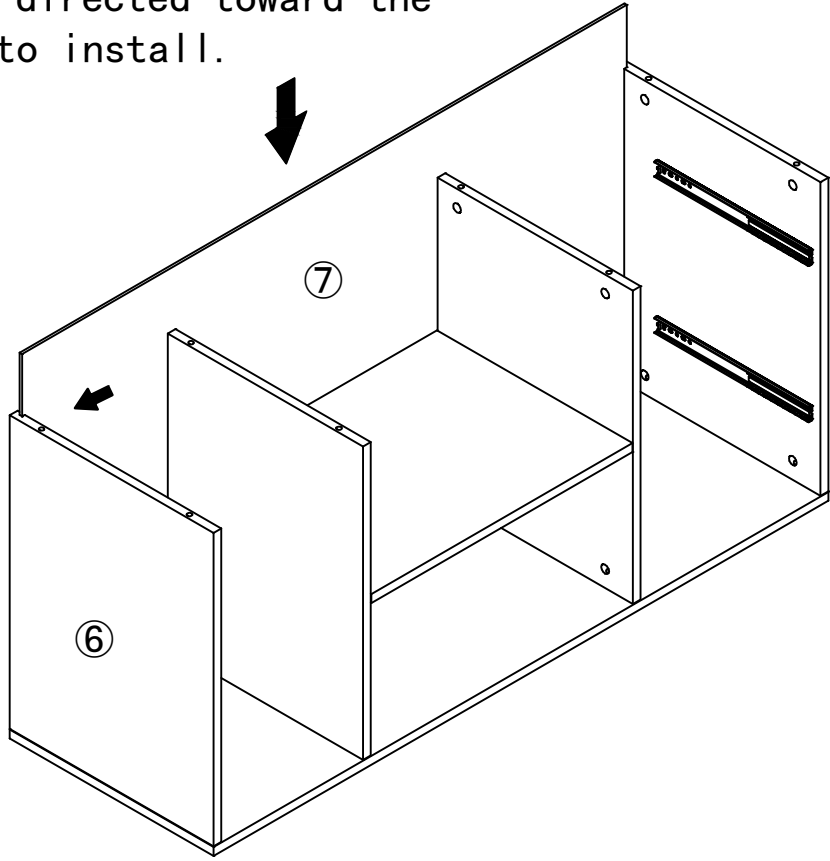


05

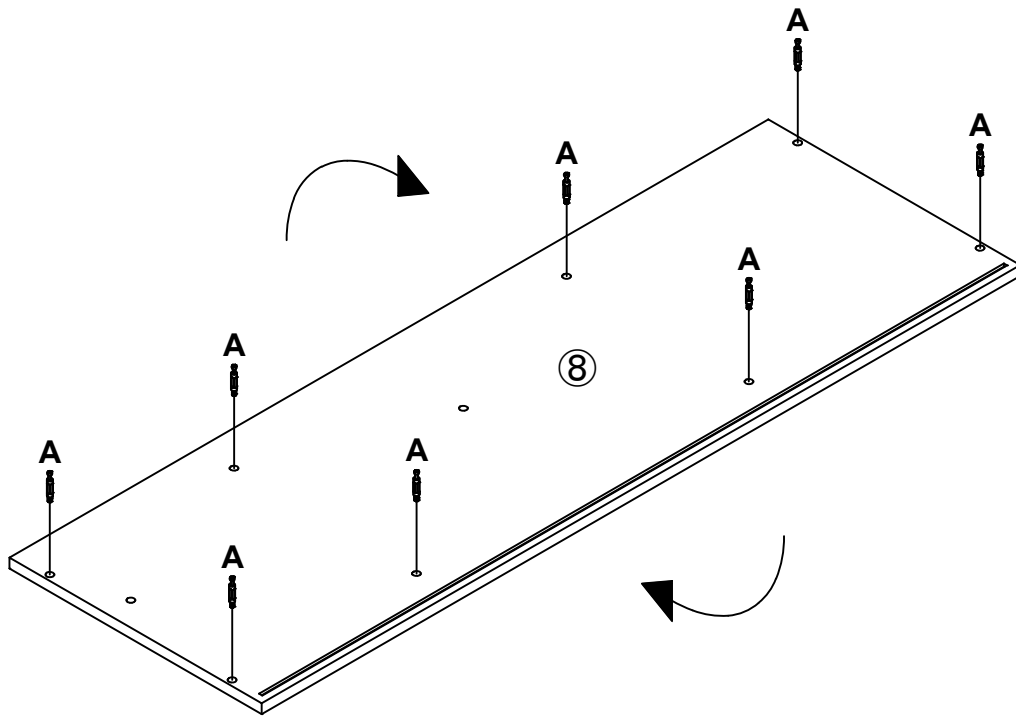


**06**

Please note that ensure the arrow on #7 board is directed toward the #6 board then to install.

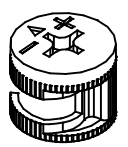
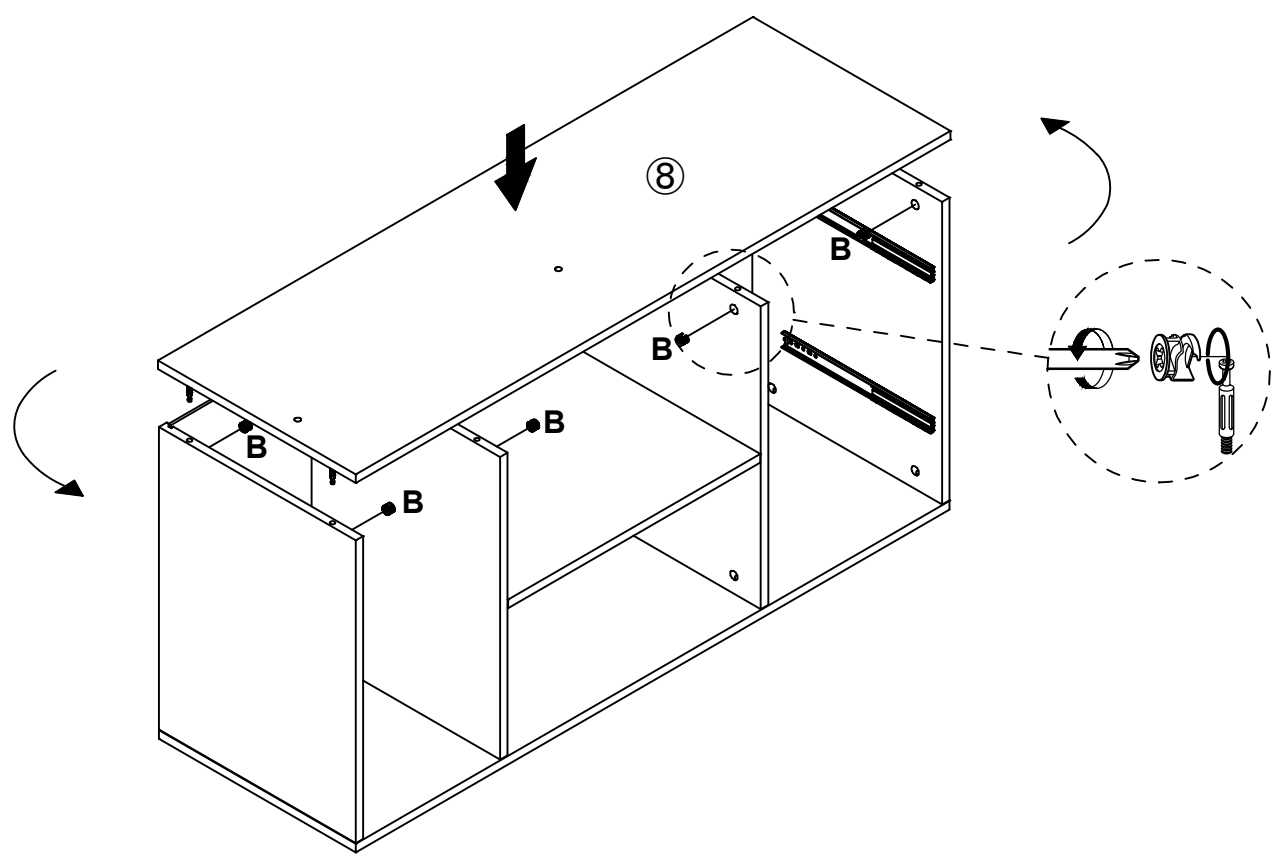


**07**



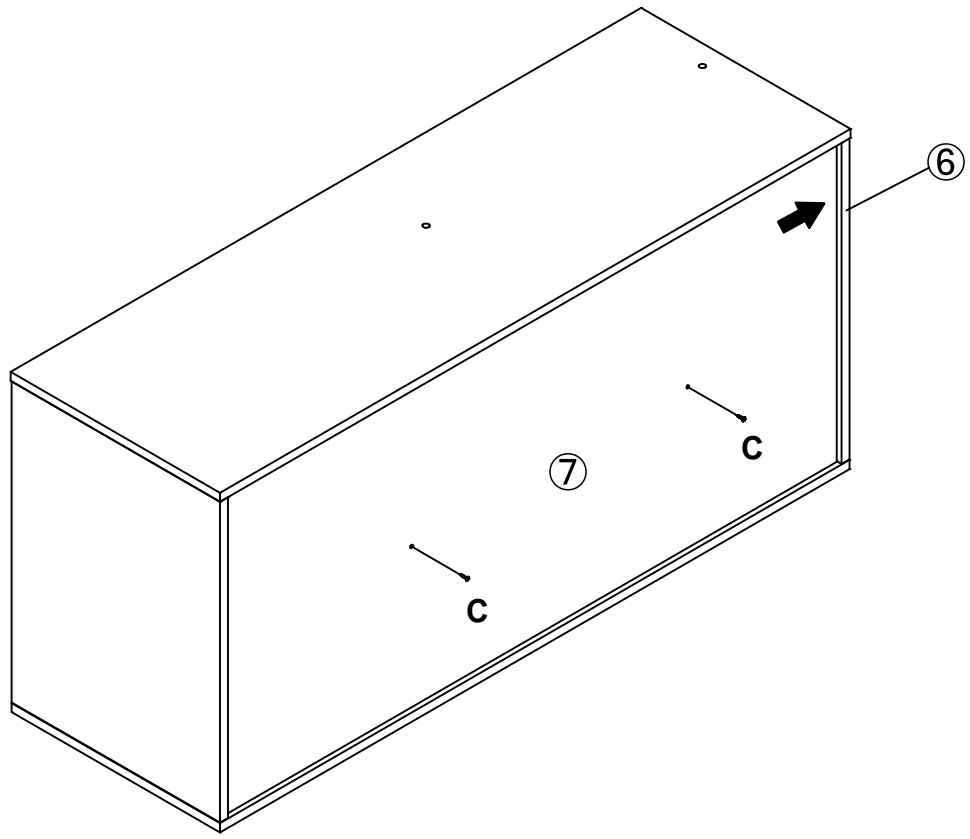
A

08

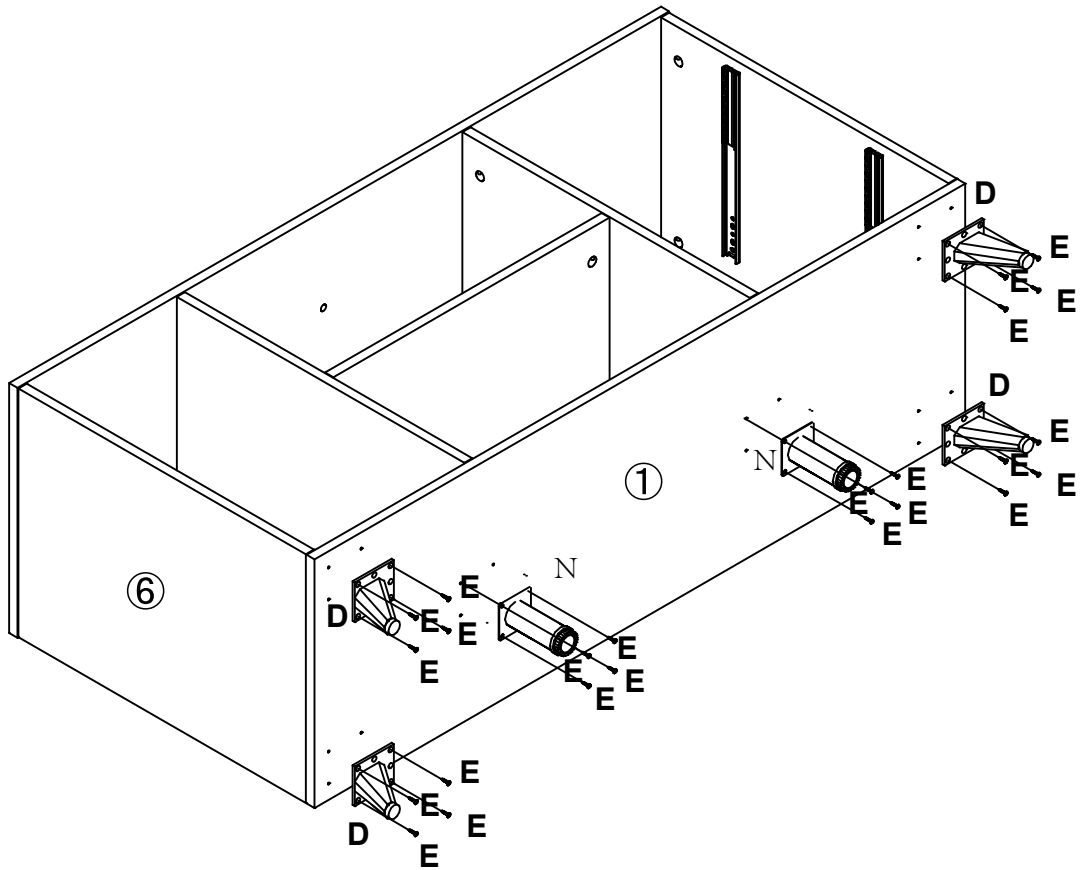


B

09



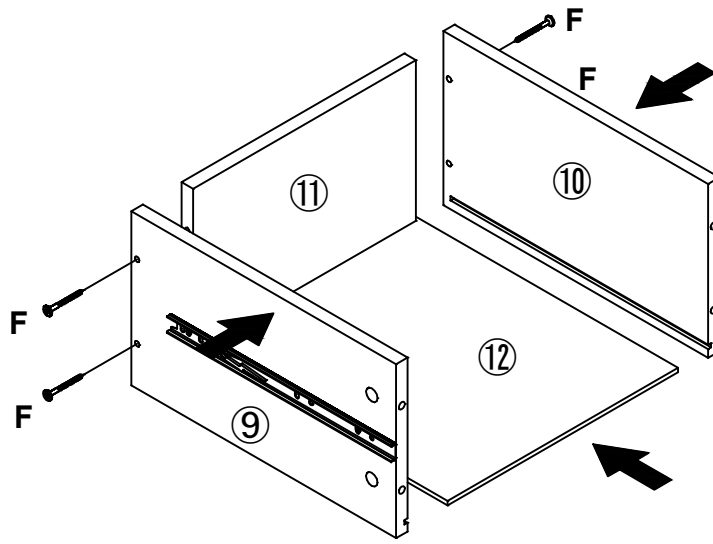
10



11



F

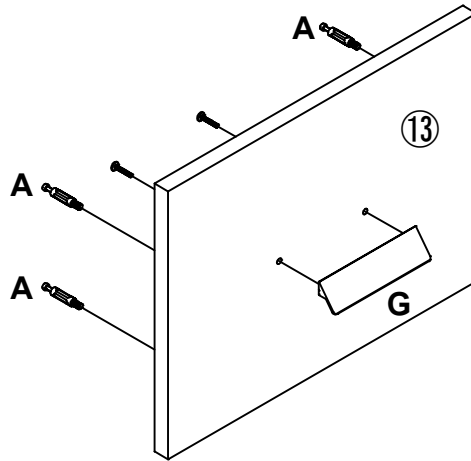


x2

12

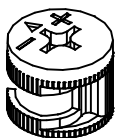


A

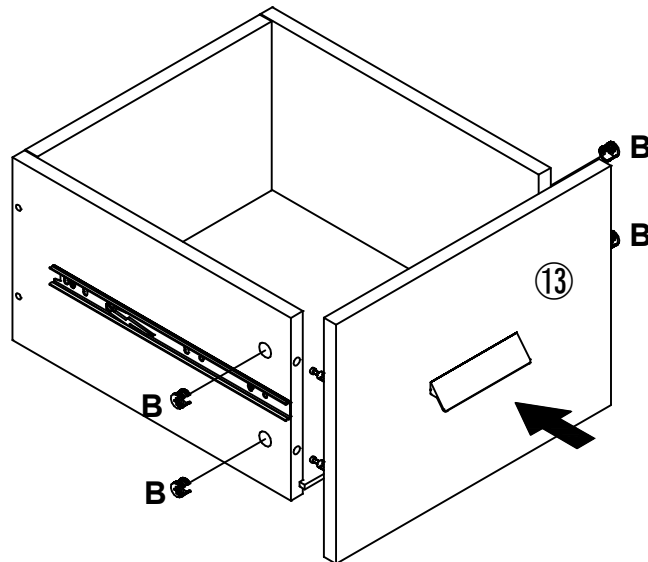


x2

13



B

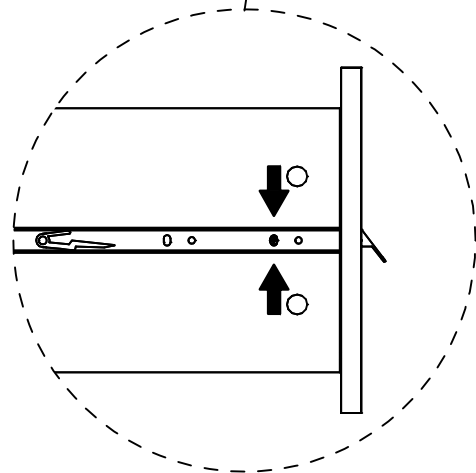
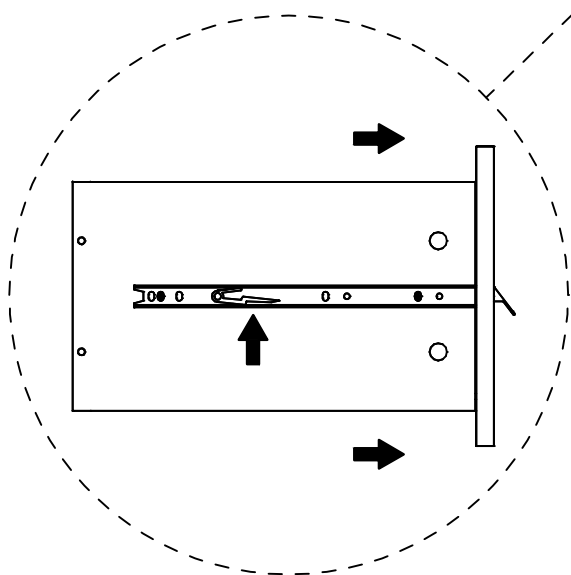
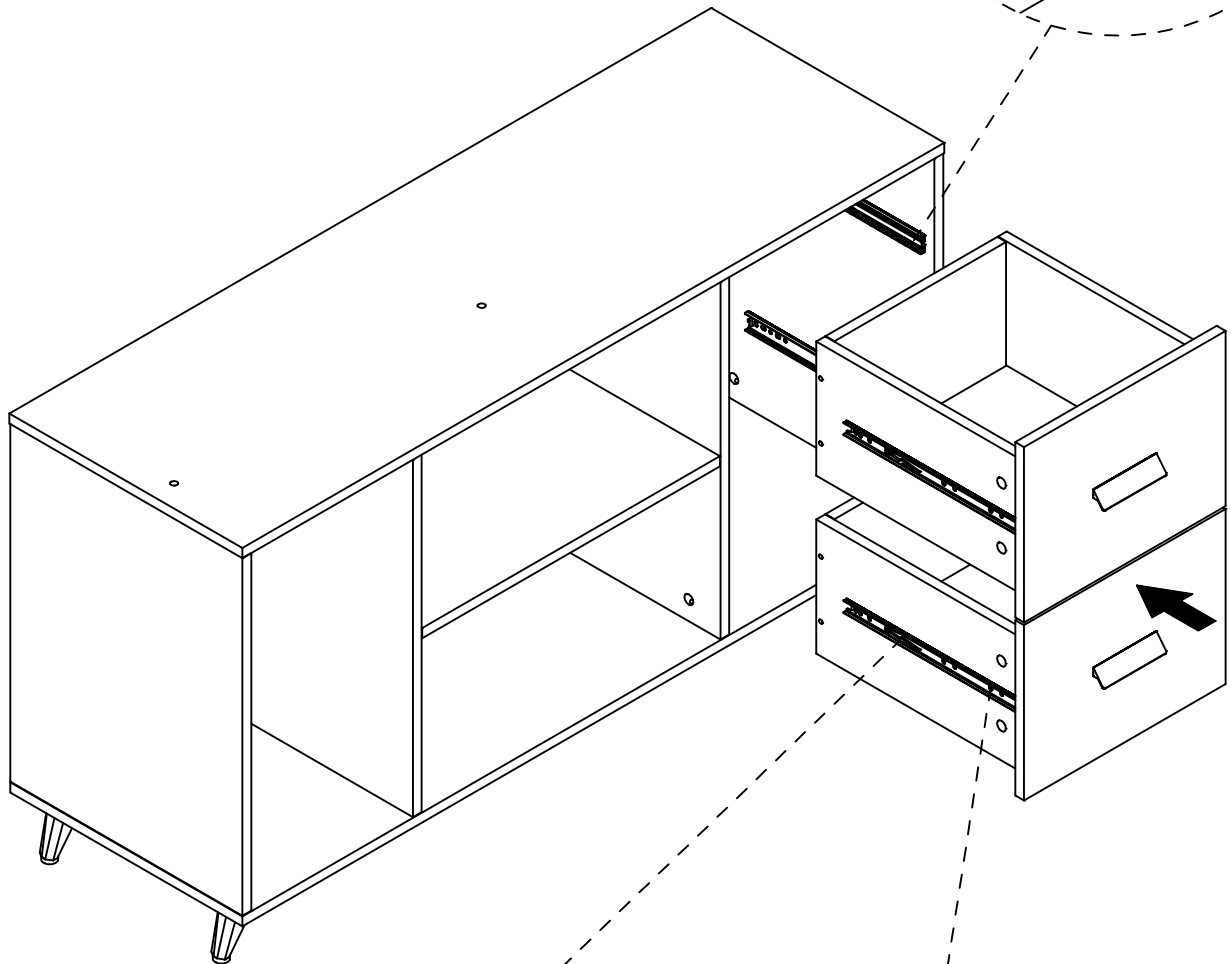
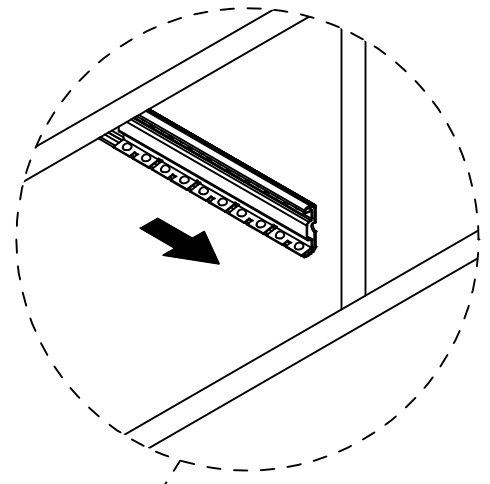


x2

14



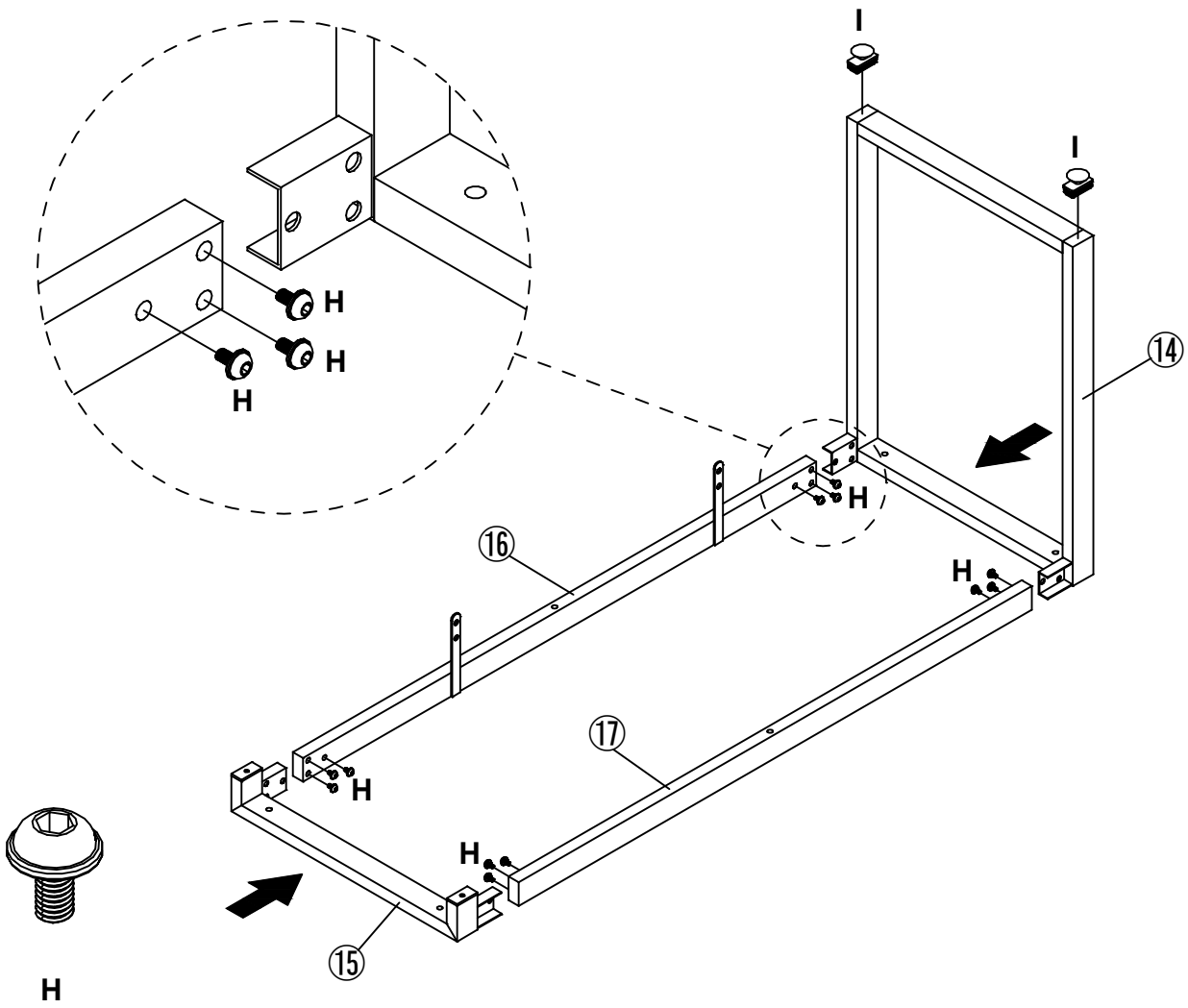
Push the iron sheet to the top, and you can put the drawer in smoothly.



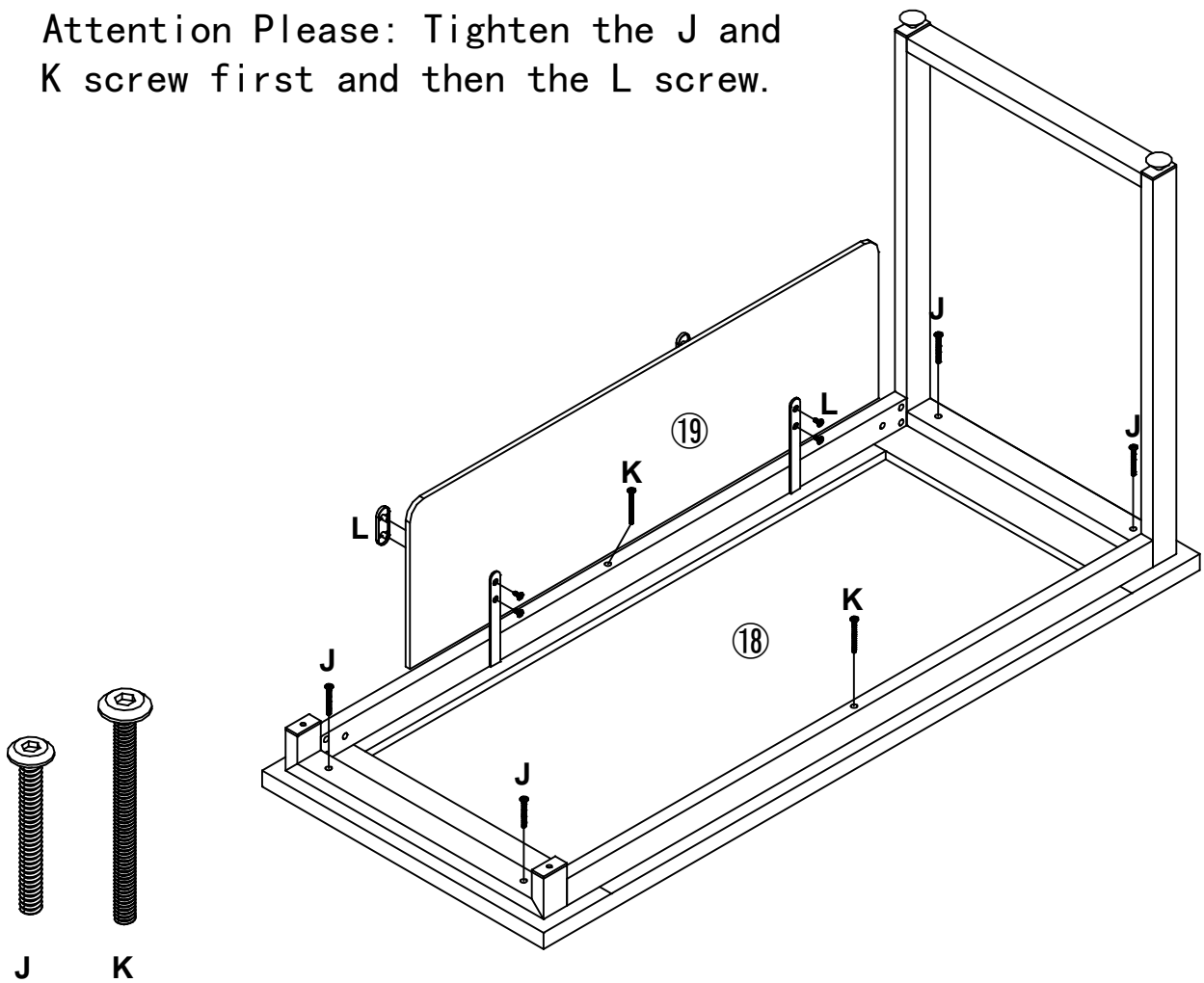
If the drawers do not run smoothly, please loosen the screws, and a little bit adjust the rail.

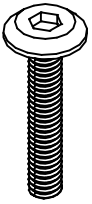
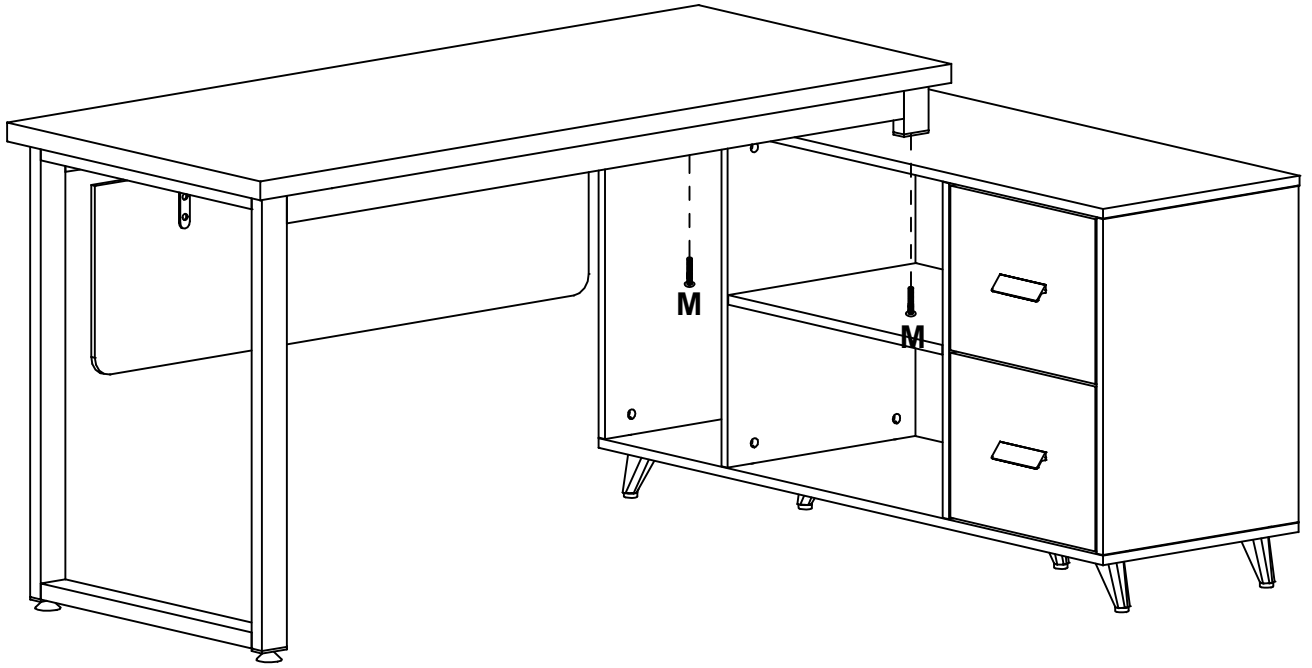


Press down the device on the guide so that the drawer can be removed from the filing cabinet.



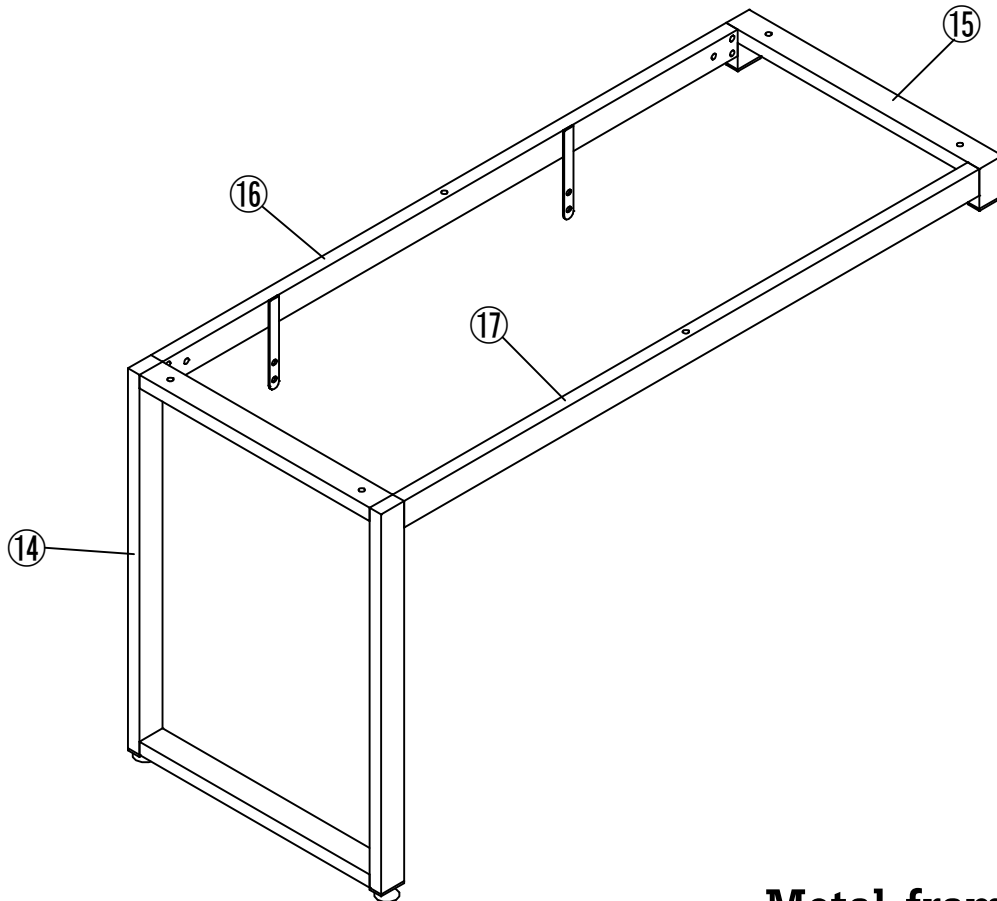
Attention Please: Tighten the J and K screw first and then the L screw.



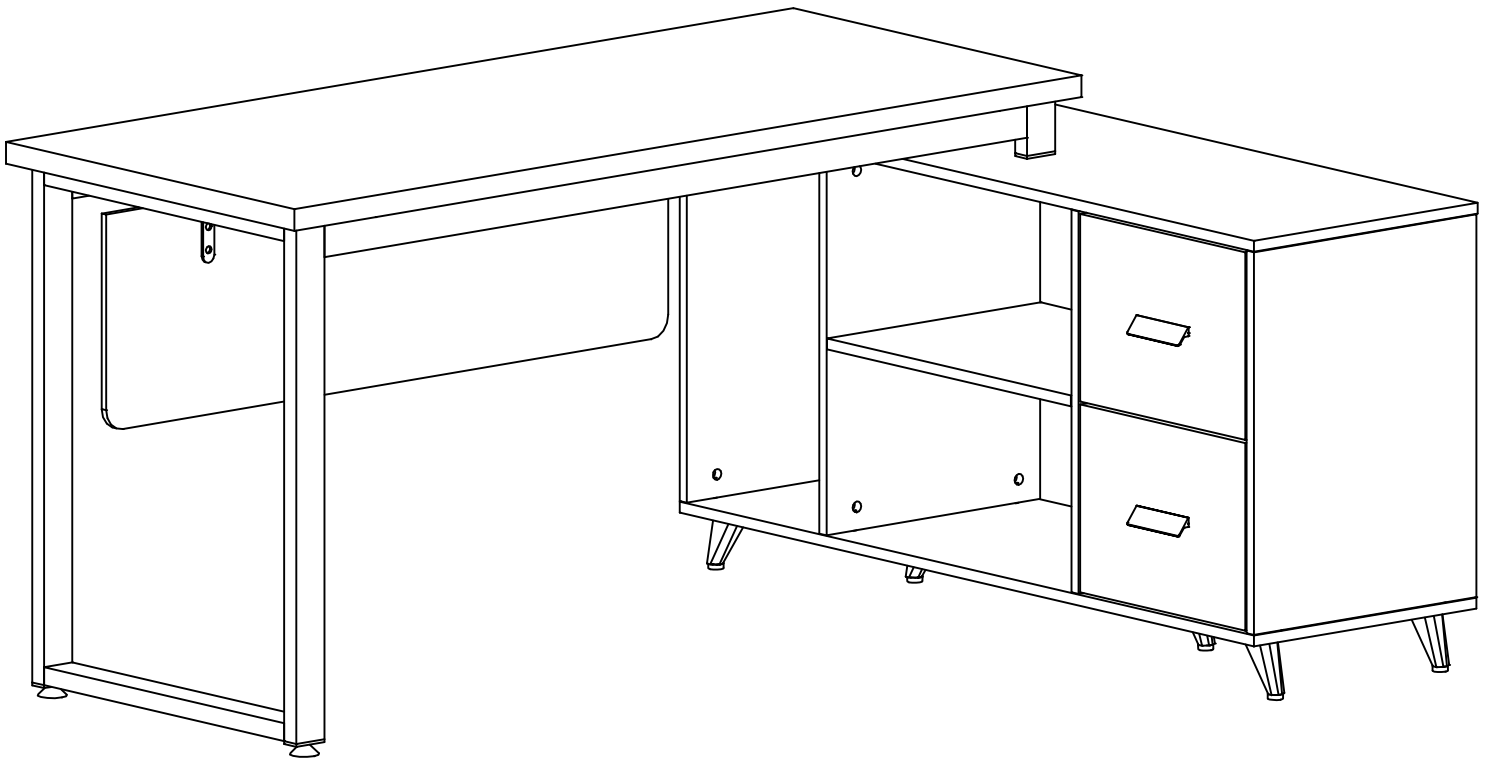


M

18



Metal frame assembled



**Complete**

---

**We genuinely appreciate your purchase of our product.  
Any problem (installation or damage caused by shipping), please feel  
free to contact us. Our customer service will help to solve the problem  
for your ASAP, as your satisfaction is our final goal.**

**[www.tribesigns.com](http://www.tribesigns.com)**

**Email: [support@tribesigns.com](mailto:support@tribesigns.com)**