

WARNING!!

Children have died from furniture tipping over. Tip restraints have been included with this product; you must install the tip restraints according to these instructions in order to minimize the risk of furniture tipping. If you have any questions about this product or the tip restraint, please send us.

NEVER allow children to climb or hang on furniture, including drawers or cabinet doors.

In addition to installing the restrains to help prevent tip-overs

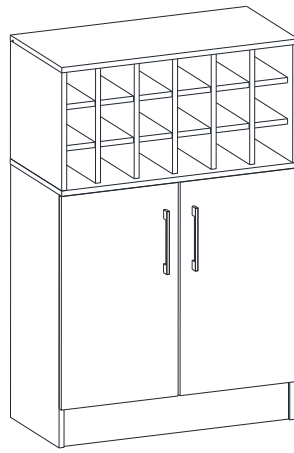
1. **NEVER** put a TV or other heavy objects on top of this product.
2. Do not stand on the product

|  WARNING | |
|--|---|
|  | <p>Children have died from furniture tipover. To reduce the risk of furniture tipover:</p> <ul style="list-style-type: none">• ALWAYS install tipover restraint provided.• NEVER put a TV on this product.• NEVER allow children to stand, climb or hang on drawers, doors, or shelves.• NEVER open more than one drawer at a time.• Place heaviest items in the lowest drawers.• Do not defeat or remove the drawer interlock system. <p><i>This is a permanent label. Do not remove!</i></p> |
|  | |

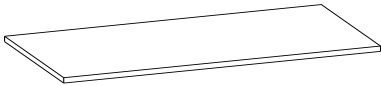
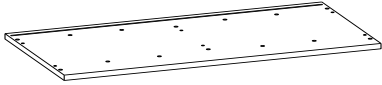

Assembly Instructions



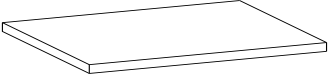


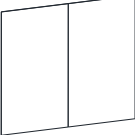
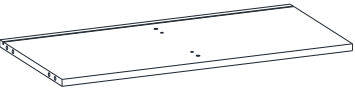

Caution : You must read this before you proceed


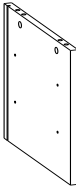
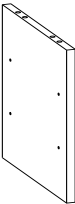
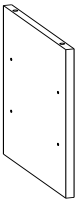
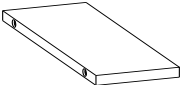
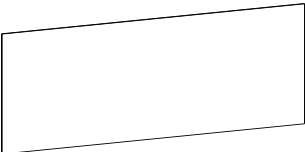

WINE CABINET








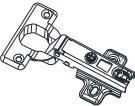

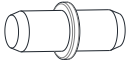

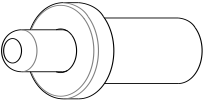
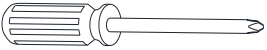
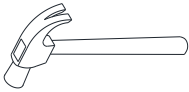


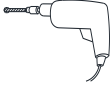





Parts List

| Label | Picture | Description | QTY |
|-------|---|-----------------|-----|
| A |  | Top Panel | 1 |
| B |  | Middle Panel | 1 |
| C |  | Left Side Panel | 1 |

| | | | |
|---|---|------------------|---|
| D |  | Right Side Panel | 1 |
| E |  | Center Panel | 1 |
| F |  | Shelf Panel | 2 |
| G |  | Left Door Panel | 1 |
| H |  | Right Door Panel | 1 |
| I |  | Back Panel | 1 |
| J |  | Bottom Panel | 1 |
| K |  | Leg Panel | 2 |

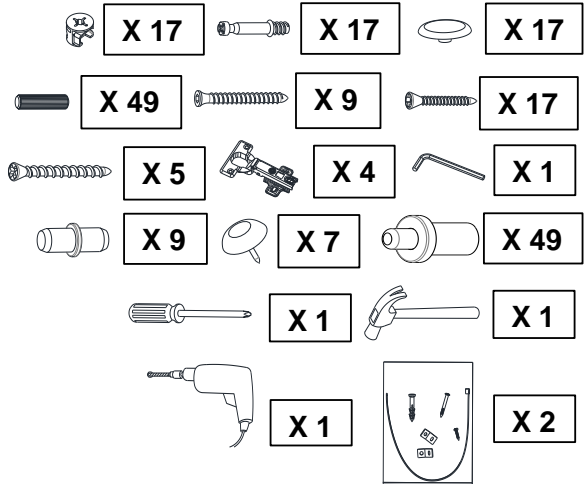
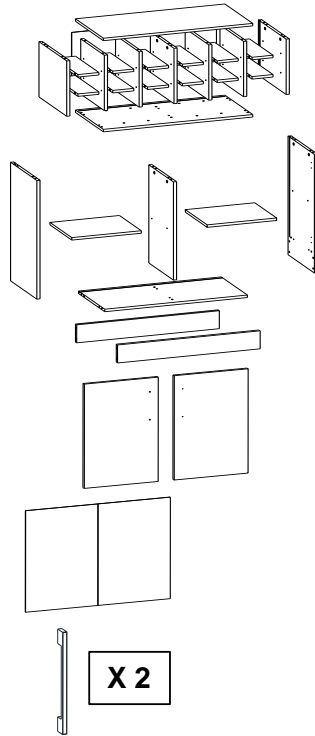
| | | | |
|---|---|---------------------|----|
| L |  | Left Side Panel Up | 1 |
| M |  | Right Side Panel Up | 1 |
| N |  | Center Panel Up | 1 |
| O |  | Spacer Panel | 4 |
| P |  | Middle Panel Up | 12 |
| Q |  | Back Panel Up | 1 |
| R |  | Handle | 2 |

| Hardware | | | |
|----------|---|-------------------------------|-----|
| Label | Picture | Description | QTY |
| ① |  | Cam Lock | 17 |
| ② |  | Cam Bolt | 17 |
| ③ |  | Cam Cap | 17 |
| ④ |  | Positioning Dowel (8*30mm) | 49 |
| ⑤ |  | Cap Wood Screw (6*50mm) | 9 |
| ⑥ |  | Screw (3.5*16mm) | 17 |
| ⑦ |  | Screw (4*25mm) | 5 |
| ⑧ |  | Connector | 4 |
| ⑨ |  | Allen Key | 1 |
| ⑩ |  | Shelf Support | 9 |
| ⑪ |  | PVC Nail Leg | 7 |
| ⑫ |  | Spring Door Support | 49 |
| ⑬ |  | Screwdriver (not provided) | 1 |
| ⑭ |  | Hammer (not provided) | 1 |

| | | | |
|--|---|----------------------------|---|
| ⑮ |  | Power Drill (not provided) | 1 |
| Cabinet Restraint Device Hardware | | | |
| ⑯ |  | Metal Bracket | 4 |
| ⑰ |  | Wall Plug | 2 |
| ⑱ |  | Wall Plug Screw | 2 |
| ⑲ |  | Pan Head Screw | 2 |
| ⑳ |  | Cabinet Restraint Strap | 2 |

Assembly Preparation

Before Beginning Assembly:



- Read instructions, cover to cover-



- Have 2 adults on hand for assembly-



- Do not assemble on flooring or carpet-



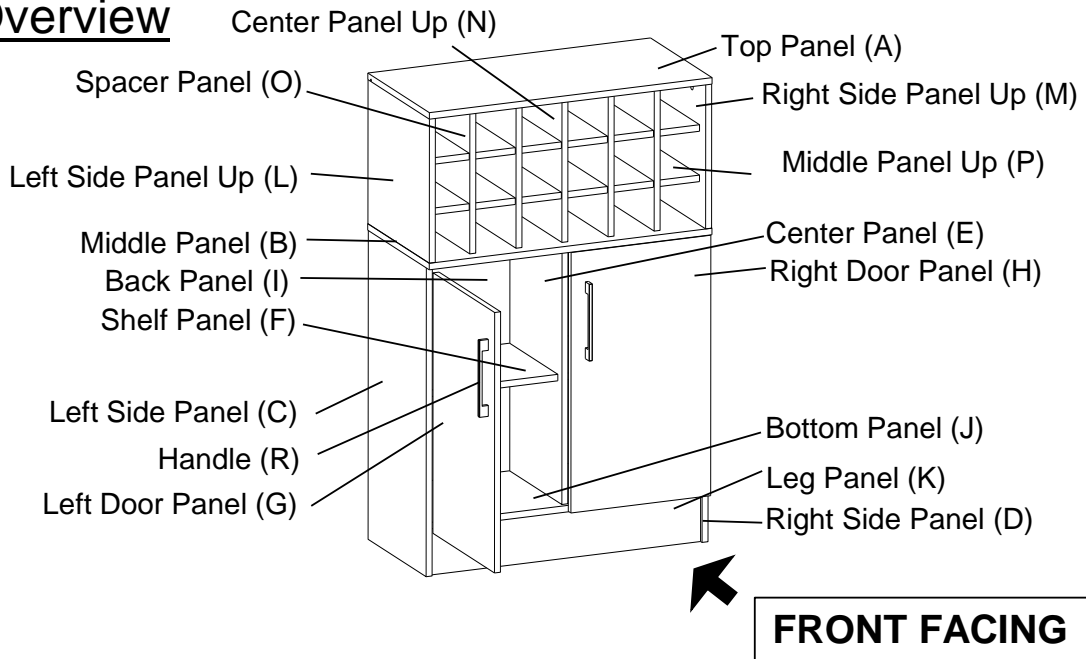
- Assemble on a clean non-marring surface (packing foam)-



- Save all packaging until finished-

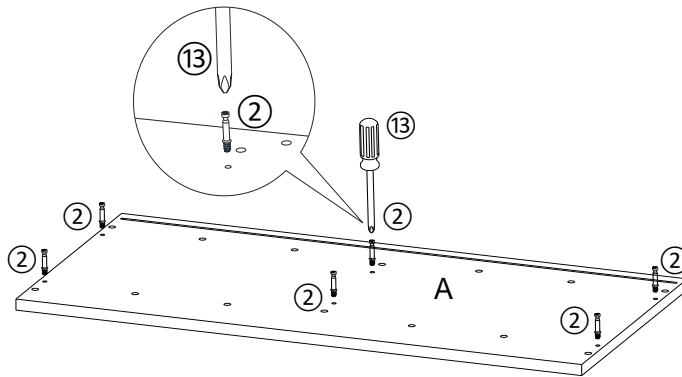
Assembly Steps

Overview



This Wine Cabinet has multiple parts and may require up to 60 minutes to assemble. To give you an overview of the Wine Cabinet parts, the above picture is to help you put the various parts into perspective. Please read through the instructions below to familiarise yourself with the parts and steps before assembly.

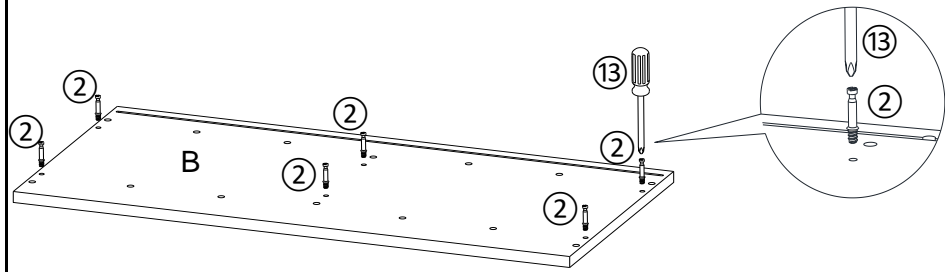
Step 1



Unpack and place all parts on a clean, non-marring surface.

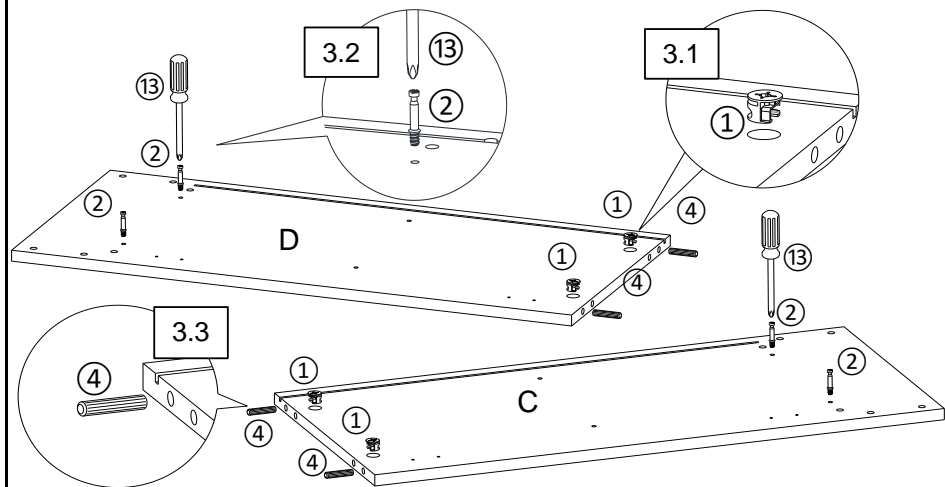
Attach Cam Bolts (2) to mounting positions on Top Panel (A) with Screwdriver (13).

Step 2



Attach Cam Bolts(②) to mounting positions on Middle Panel(B) with Screwdriver(⑬).

Step 3

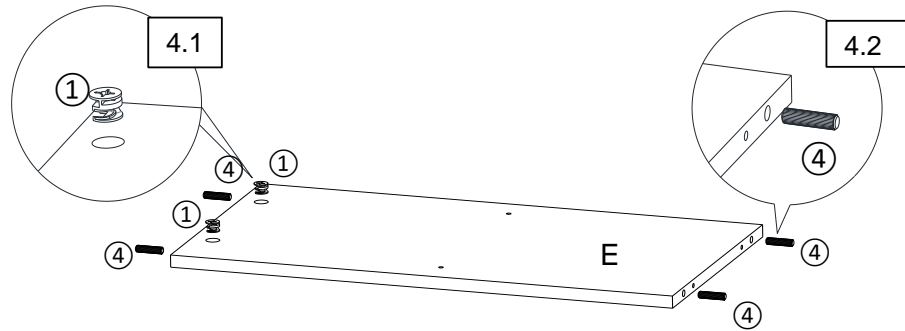


3.1) Insert Cam Locks(①) into mounting positions on Left Side Panel(C) and Right Side Panel(D) by hand.

3.2) Attach Cam Bolts(②) to mounting positions on Left Side Panel(C) and Right Side Panel(D) with Screwdriver(⑬).

3.3) Insert Positioning Dowels(④) into mounting positions on Left Side Panel(C) and Right Side Panel(D) by hand.

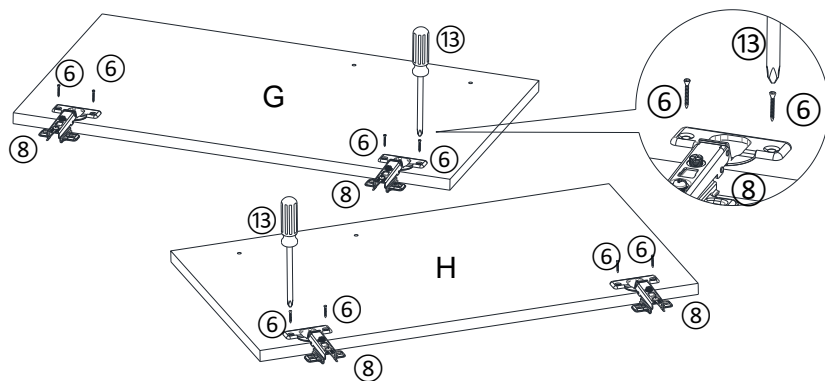
Step 4



4.1) Insert Cam Locks(①) into mounting positions on Center Panel(E) by hand.

4.2) Insert Positioning Dowels(④) into mounting positions on Center Panel(E) by hand.

Step 5

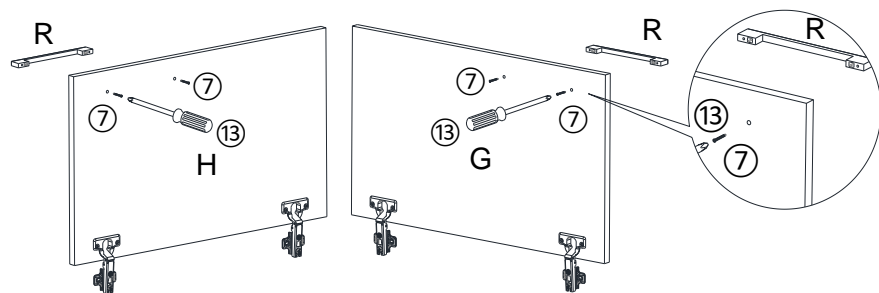


Attach Connectors(⑧) to Left Door Panel(G) and Right Door Panel(H) using Screws(⑥) with Screwdriver(⑬).

Tighten the Screws fully in a sequential manner.

Note: There are pre-existing mounting positions on the Left Door Panel and Right Door Panel to attach the Connectors.

Step 6



Attach Handles(R) to Left Door Panel(G) and Right Door Panel(H) using Screws(⑦) with Screwdriver(⑬).

Tighten the Screws fully in a sequential manner.

Note: There are pre-existing mounting positions on the Left Door Panel and Right Door Panel to attach the Handles.

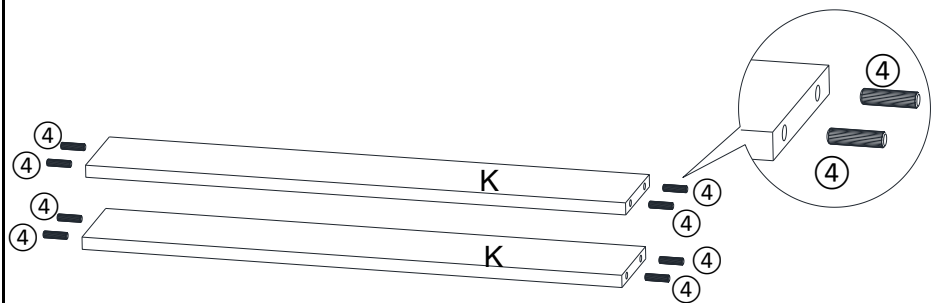
Step 7



7.1) Insert Cam Locks(①) into mounting positions on Bottom Panel(J) by hand.

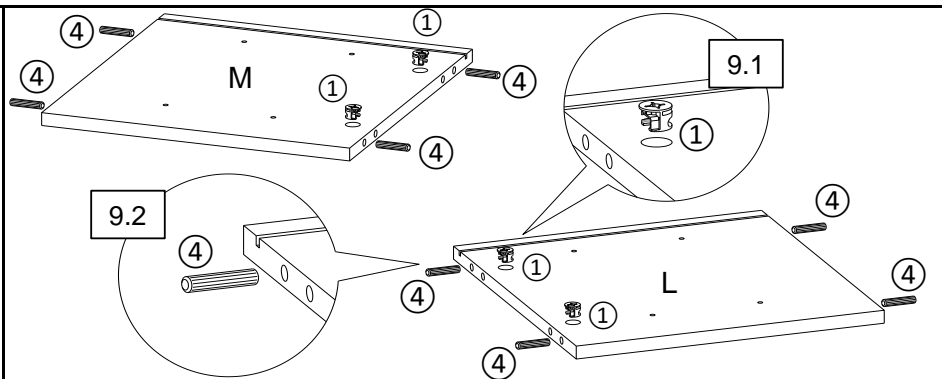
7.2) Insert Positioning Dowels(④) into mounting positions on Bottom Panel(J) by hand.

Step 8



Insert Positioning Dowels(④) into mounting positions on Leg Panels(K) by hand.

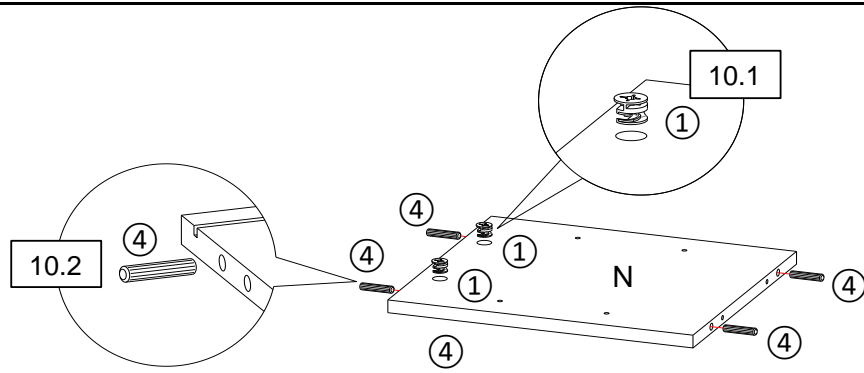
Step 9



9.1) Insert Cam Locks(①) into mounting positions on Left Side Panel Up(L) and Right Side Panel Up(M) by hand.

9.2) Insert Positioning Dowels(④) into mounting positions on Left Side Panel Up(L) and Right Side Panel Up(M) by hand.

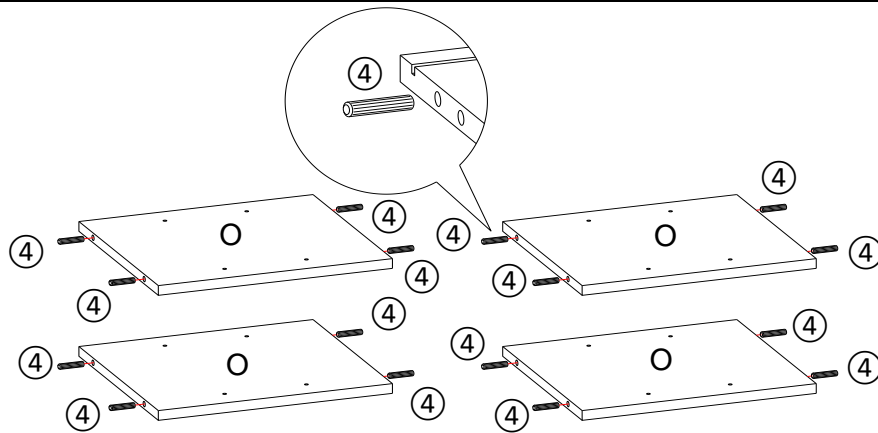
Step 10



10.1) Insert Cam Locks(①) into mounting positions on Center Panel Up(N) by hand.

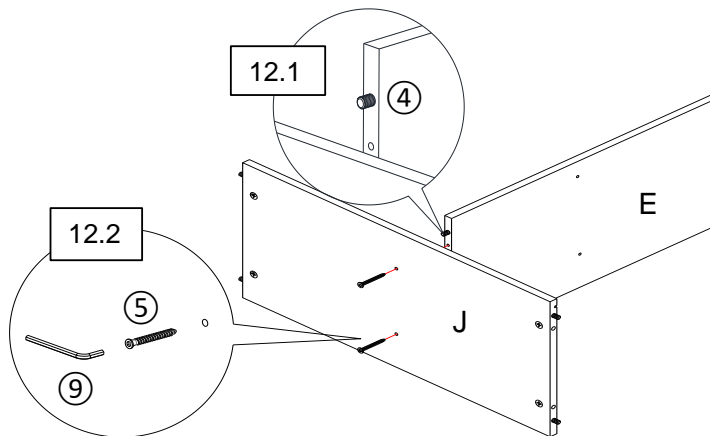
10.2) Insert Positioning Dowels(④) into mounting positions on Center Panel Up(N) by hand.

Step 11



Insert Positioning Dowels(④) into mounting positions on Spacer Panel(O) by hand.

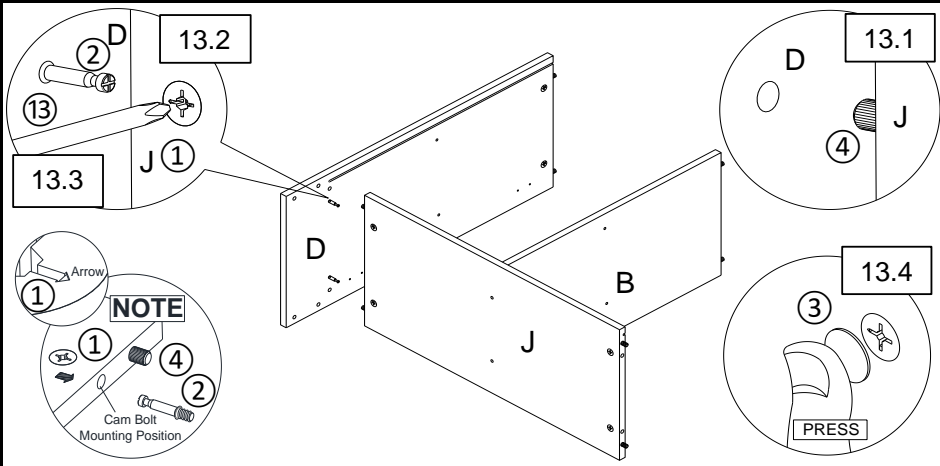
Step 12



12.1) Insert Positioning Dowels(④) from Center Panel(E) into mounting positions on Bottom Panel(J).

12.2) Attach Bottom Panel(J) to Center Panel(E) using Cap Wood Screws(⑤) with Allen Key(⑨).

Step 13



13.1) Insert Positioning Dowels(④) from Bottom Panel(J) into mounting positions on Right Side Panel(D).

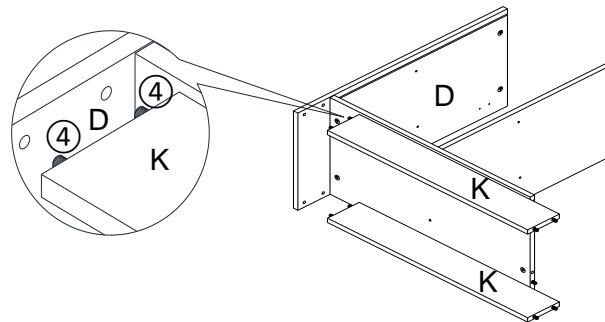
Note: Ensure the arrows on Cam Lock heads point towards the Cam Bolt mounting positions.

13.2) Insert the Cam Bolts(②) on Right Side Panel(D) into mounting positions on side of Bottom Panel(J).

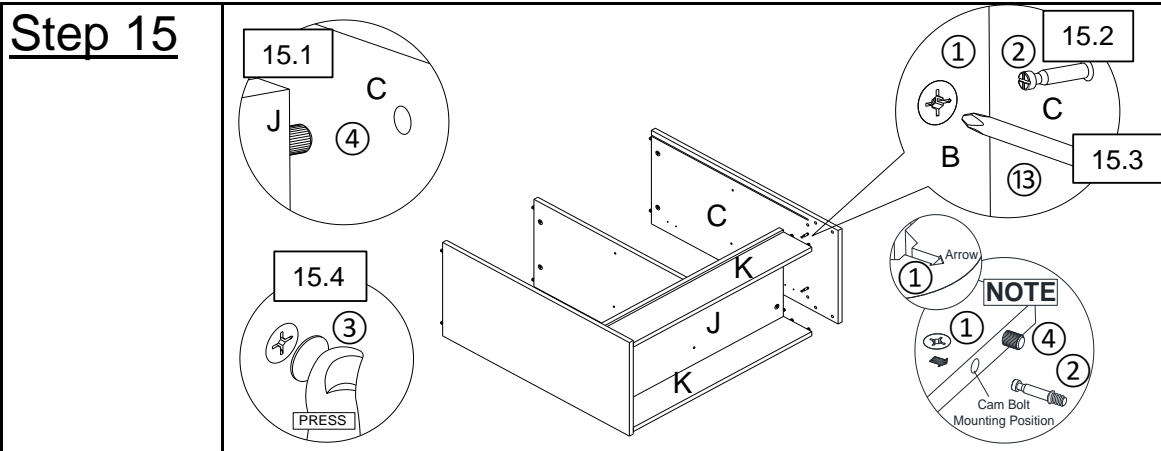
13.3) Turn the Cam Locks(①) clockwise with the Screwdriver(⑬) until they all lock into place.

13.4) Insert Cam Caps(③) to cover the Cam Locks(①).

Step 14



Insert Positioning Dowels(④) of Leg Panels(K) into mounting positions on Right Side Panel(D).



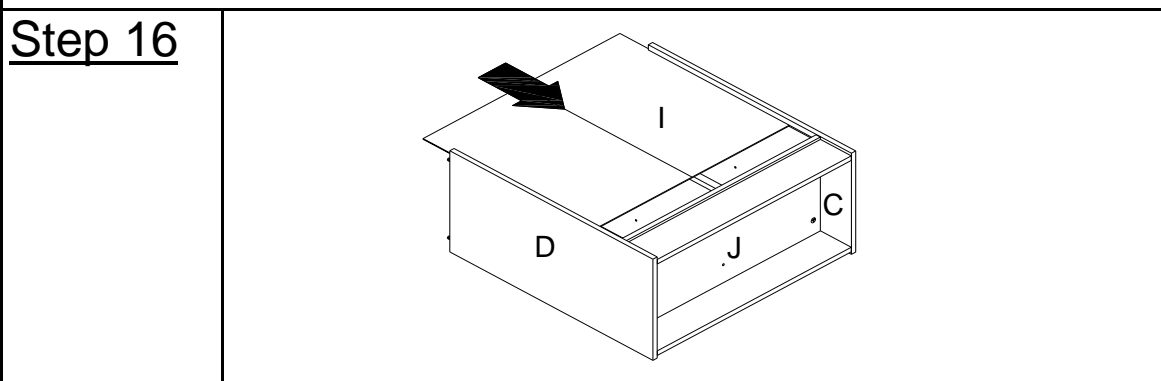
15.1) Insert Positioning Dowels(④) of Bottom Panel(J) into mounting positions on Left Side Panel(C).

Note: Ensure the arrows on Cam Lock heads point towards the Cam Bolt mounting positions.

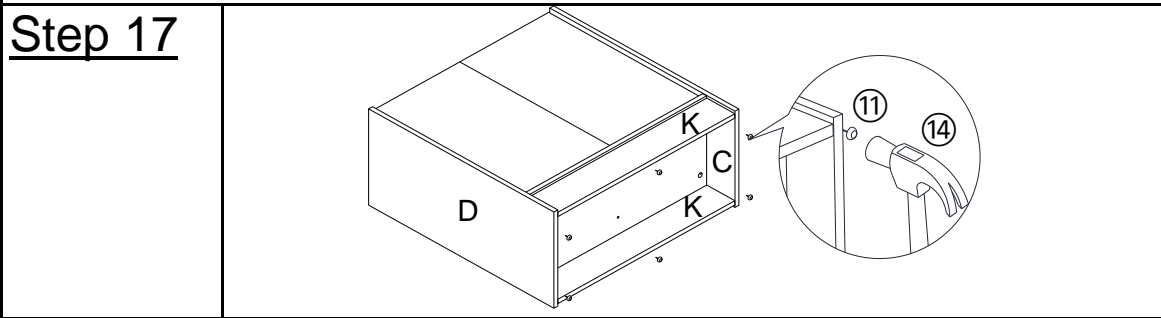
15.2) Insert Cam Bolts(②) on Left Side Panel(C) into the mounting positions on side of Bottom Panel(J).

15.3) Turn the Cam Locks(①) clockwise with the Screwdriver(⑬) until they all lock into place.

15.4) Insert Cam Caps(③) to cover the Cam Locks(①).

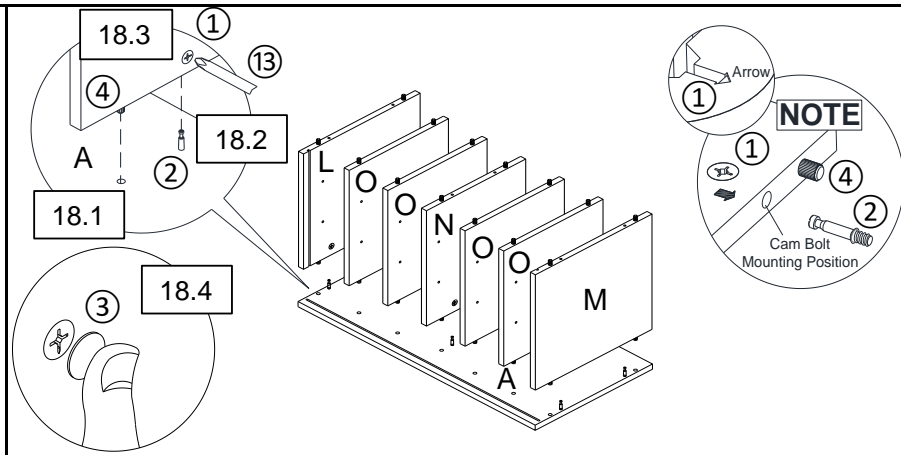


Insert Back Panel(I) along the slots of Left Side Panel(C), Bottom Panel(J) and Right Side Panel(D).



Attach PVC Nail Legs(⑪) to the Base of the assembled Wine Cabinet with Hammer(⑭).

Step 18



18.1) Insert Positioning Dowels(④) of Left Side Panel Up(L), Right Side Panel Up(M), Center Panel Up(N) and Spacer Panel(O) into mounting positions on Top Panel(A).

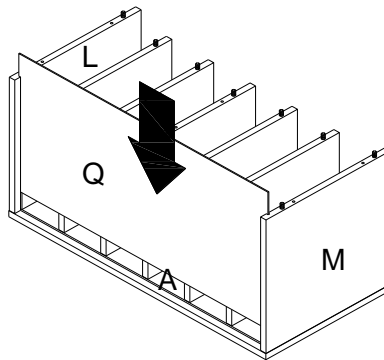
Note: Ensure the arrows on Cam Lock heads point towards the Cam Bolt mounting positions.

18.2) Insert Cam Bolts(②) on Top Panel(A) into the mounting positions on side of Left Side Panel Up(L), Right Side Panel Up(M) and Center Panel Up(N).

18.3) Turn the Cam Locks(①) clockwise with the Screwdriver(⑬) until they all lock into place.

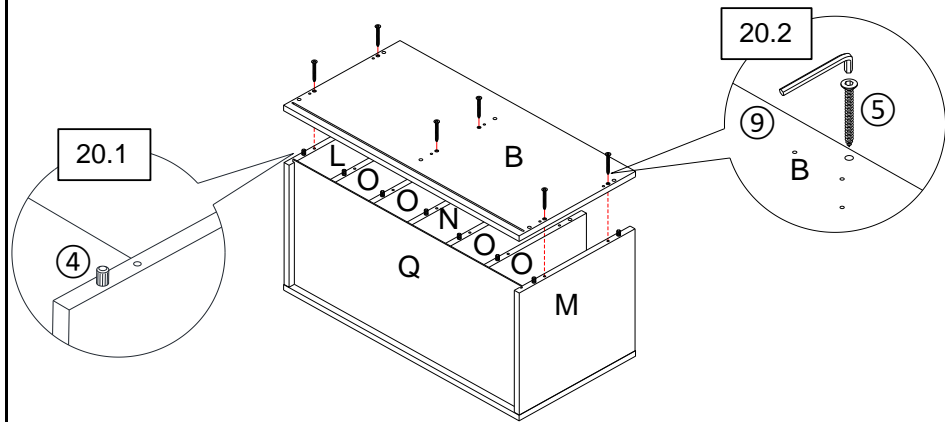
18.4) Insert Cam Caps(③) to cover the Cam Locks(①).

Step 19



Insert Back Panel Up(Q) along the slots of Left Side Panel Up(L), Top Panel(A) and Right Side Panel Up(M).

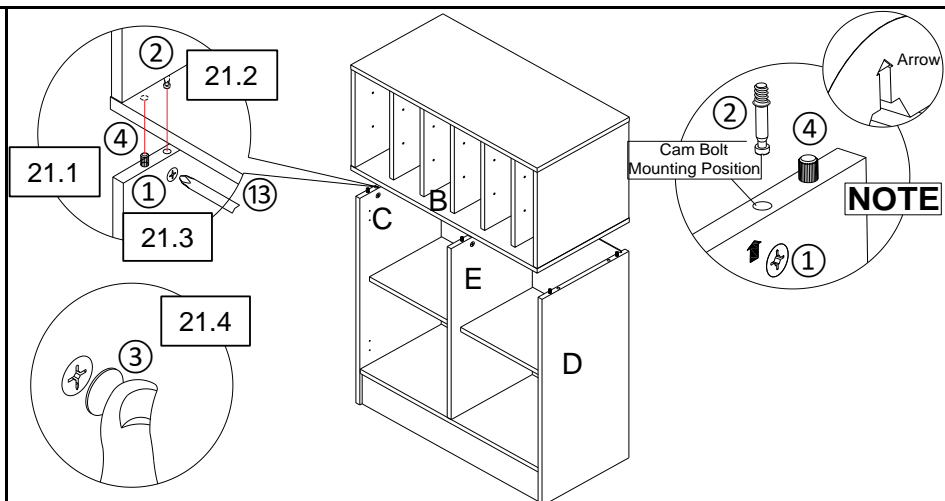
Step 20



20.1) Insert the Positioning Dowels(④) from Left Side Panel Up(L), Right Side Panel Up(M), Center Panel Up(N) and Center Panel Up(O) into the mounting positions on the Middle Panel (B).

20.2) Attach the Middle Panel (B) to Left Side Panel Up(L), Right Side Panel Up(M), Center Panel Up(N) and Center Panel Up(O) using Cap Wood Screws(⑤) and the Allen Key(⑨).

Step 21



21.1) Insert Positioning Dowels(④) of Left Side Panel(C), Right Side Panel(D), and Center Panel(E) into mounting positions on Middle Panel(B).

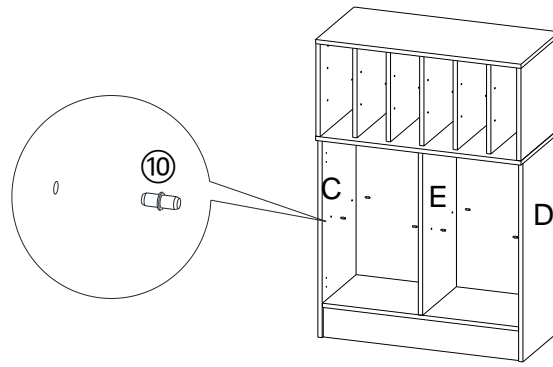
Note: Ensure the arrows on Cam Lock heads point towards the Cam Bolt mounting positions.

21.2) Insert Cam Bolts(②) on Middle Panel(B) into the mounting positions on side of Left Side Panel(C), Right Side Panel(D) and Center Panel(E).

21.3) Turn the Cam Locks(①) clockwise with the Screwdriver(⑬) until they all lock into place.

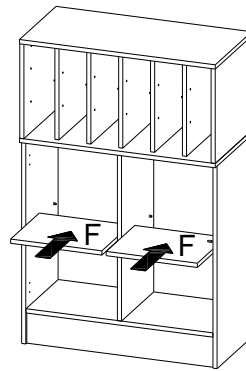
21.4) Insert Cam Caps(③) to cover the Cam Locks(①).

Step 22



Insert Shelf Supports(⑩) into mounting positions on Left Side Panel(C), Right Side Panel(D), and Center Panel(E) by hand.

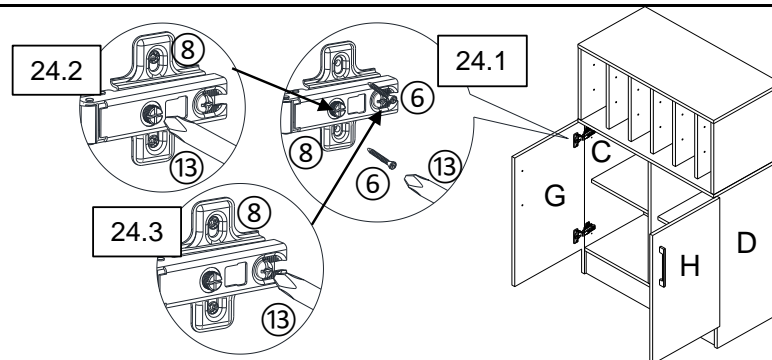
Step 23



Put Shelf Panels(F) in place on Shelf Supports(⑩).

Note: There are mounting positions on Shelf Panels to fit the Shelf Supports.

Step 24



24.1) Attach Connectors(⑧) to Left Side Panel(C) and Right Side Panel(D) using Screws(⑥) with Screwdriver(⑬).

Tighten the Screws fully in a sequential manner.

24.2) Rotate first screw on Connectors(⑧) to adjust left-right position of Left Door Panel(G) and Right Door Panel(H) when necessary.

24.3) Rotate second screw on Connectors(⑧) to adjust in-out position of Left Door Panel(G) and Right Door Panel(H) when necessary.

Note: There are pre-existing mounting positions on the Left Side Panel and Right Side Panel to attach the Connectors.

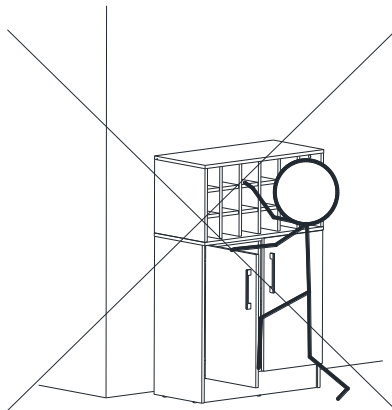
Cabinet Restraint Device Installation Instructions



WARNING

Serious or fatal crushing injuries can occur from tipping furniture.
To help prevent tip-over: **ALWAYS** secure this furniture to the wall using Cabinet Restraint Device.

See product instructions for more ways to help prevent furniture tip-over.

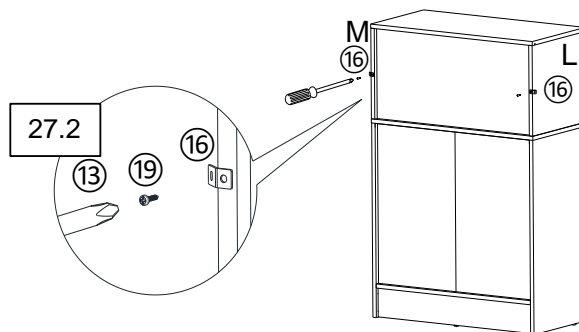


Usage For Cabinet Restraint Device:

To Secure Wine Cabinet against wall, attach Metal Brackets(16) to wall and product, and use Cabinet Restraint Straps(20) to connect the Metal Brackets(16).

Instructions:

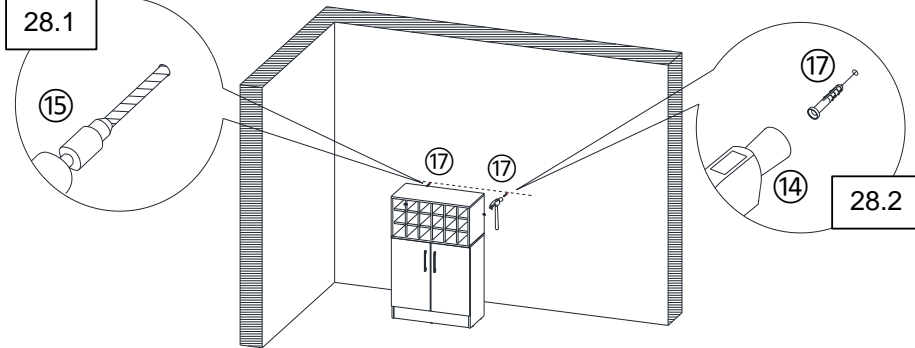
Step 27



27.1) Turn the Wine Cabinet so the back side faces you.

27.2) Attach Metal Brackets(16) to Left Side Panel Up(L) and Right Side Panel Up(M) using Pan Head Screws(19) with Screwdriver(13).

Step 28



28.1) Drill two holes on wall at same height as Metal Brackets(16) on Wine Cabinet with Power Drill(15).

You can mark these points in two ways as below:

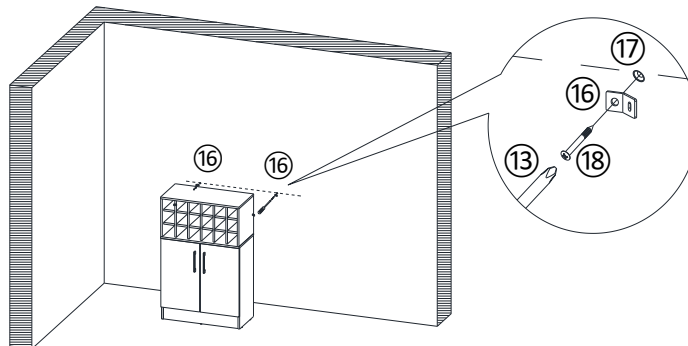
1) Move the Wine Cabinet back to the wall. Mark two points the same height as the Wine Cabinet on the wall.

Note: The Metal Brackets need to be secured to a solid, load bearing surface. Please use a Stud Finder(not supplied) if needed to locate the Wall Frame.

2) Measure the height of the Metal Brackets(16) with ruler/measuring tape and mark on wall to keep them accurate and the same height.

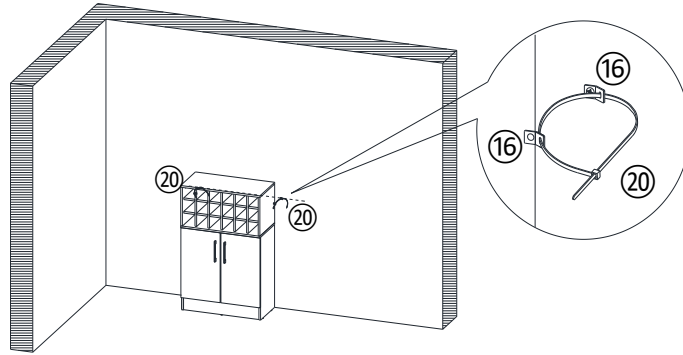
28.2) Insert Wall Plugs(17) into holes on wall with Hammer(14).

Step 29



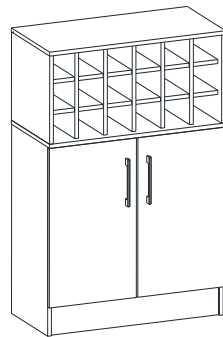
Attach Metal Brackets(16) to Wall Plugs(17) using Wall Plug Screws(18) with Screwdriver(13).

Step 30



Move the Wine Cabinet back against wall.
Pull the Restraint Straps(20) through the Metal Brackets(16) on the wall and Wine Cabinet one by one, and pull the Restraint Straps(20) tight.

Step 31



Your Wine Cabinet is ready for use.
This Wine Cabinet can only be used on a flat, level surface.

Care & Maintenance



- Furniture may scratch floors. We recommend using furniture pads to protect your floors.



- Do not put hot items directly on furniture surface.



- Do not clean furniture with harsh cleansers or polish.



- Do not place furniture under direct sunlight.



- Do not place furniture near heating or cooling vents.



- Do not write on furniture without a padded barrier to protect the surface.



- Do not place furniture outside . For indoor use only.



- Not for commercial use. For residential use only.



- Stains may be removed with mild soap solution and damp cloth.



- Children should not climb or jump on the furniture.



- Dust and pick-up spills using a clean, non-colored, lint-free cloth.