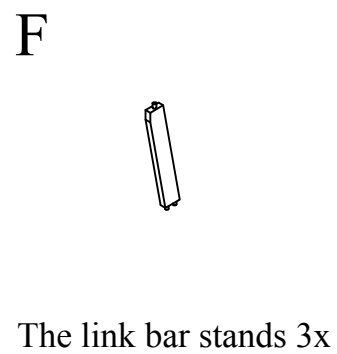
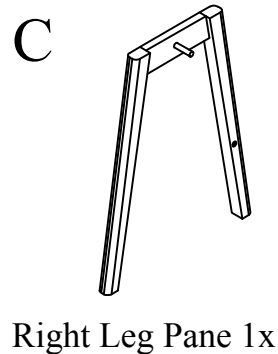
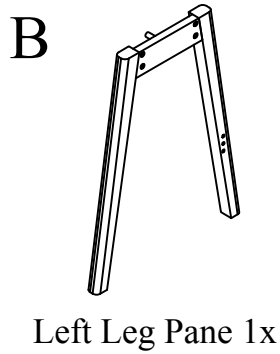
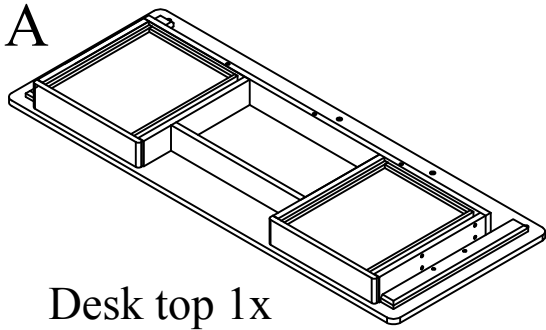


Assembly instructions:

BINO DESK 1500 x 600 x 750



STEP 1:

Diagram for Step 1 shows the desk top with two drawers. Arrows indicate the drawers being pulled out. The label "A." is near the drawers. Below the diagram is the text "Take out the drawer box".

STEP 3:

Diagram for Step 3 shows the desk top with the leg panes being attached. Arrows indicate the panes being pushed into the desk top. Labels "G." and "L." are shown near the attachment points. Below the diagram is a separate drawing of a "Drawer box = 02 EA".

D Horizontal, rear link bar

E Bar counter top

G Allen key 1x

H Bolt M6 x 30mm 5x

STEP 2:

Diagram for Step 2 shows the desk top with the leg panes being attached. Arrows indicate the panes being pushed into the desk top. Labels "I.", "G.", and "K." are shown near the attachment points. Below the diagram is a separate drawing of a "Drawer box = 02 EA".

STEP 4: Finish.

Diagram for Step 4 shows the desk top with the leg panes attached. Arrows indicate the drawer boxes being pushed into the desk top. Labels "H." and "G." are shown near the attachment points. Below the diagram is the text "Push in drawer box".

I Bolt M6 x 35mm 8x

K Bolt M6 x 45mm 2x

L Bolt M6 x 70mm 4x