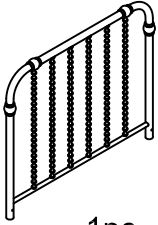


ASSEMBLY INSTRUCTION

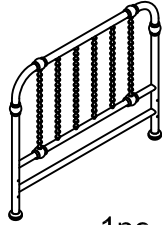
SPIRAL TUBE METAL TWIN BED

A Headboard



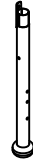
1pc

B Footboard



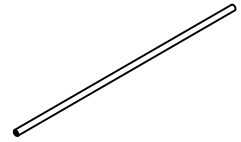
1pc

C Extension leg



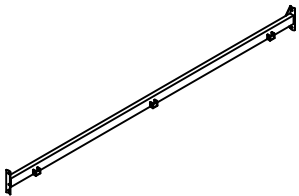
2pcs

D Bar



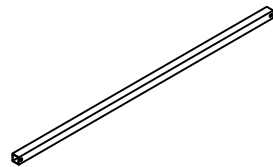
1pc

E Side rail



2pcs

F Slats



3pcs

G Bolt
1/4", 57MM



6pcs

H Bolt
1/4", 44MM



6pcs

I Bolt
1/4", 19MM



6pcs

J Nut
1/4"



10pcs

K Flat washer
Ø16mm



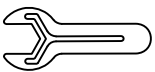
22pcs

L Allen Wrench
4X4MM

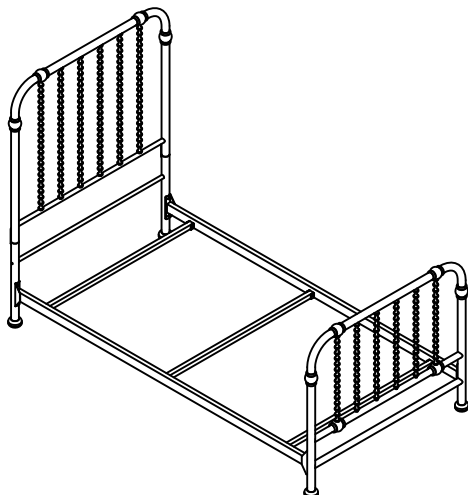


1pc

M Wrench
11.3MM

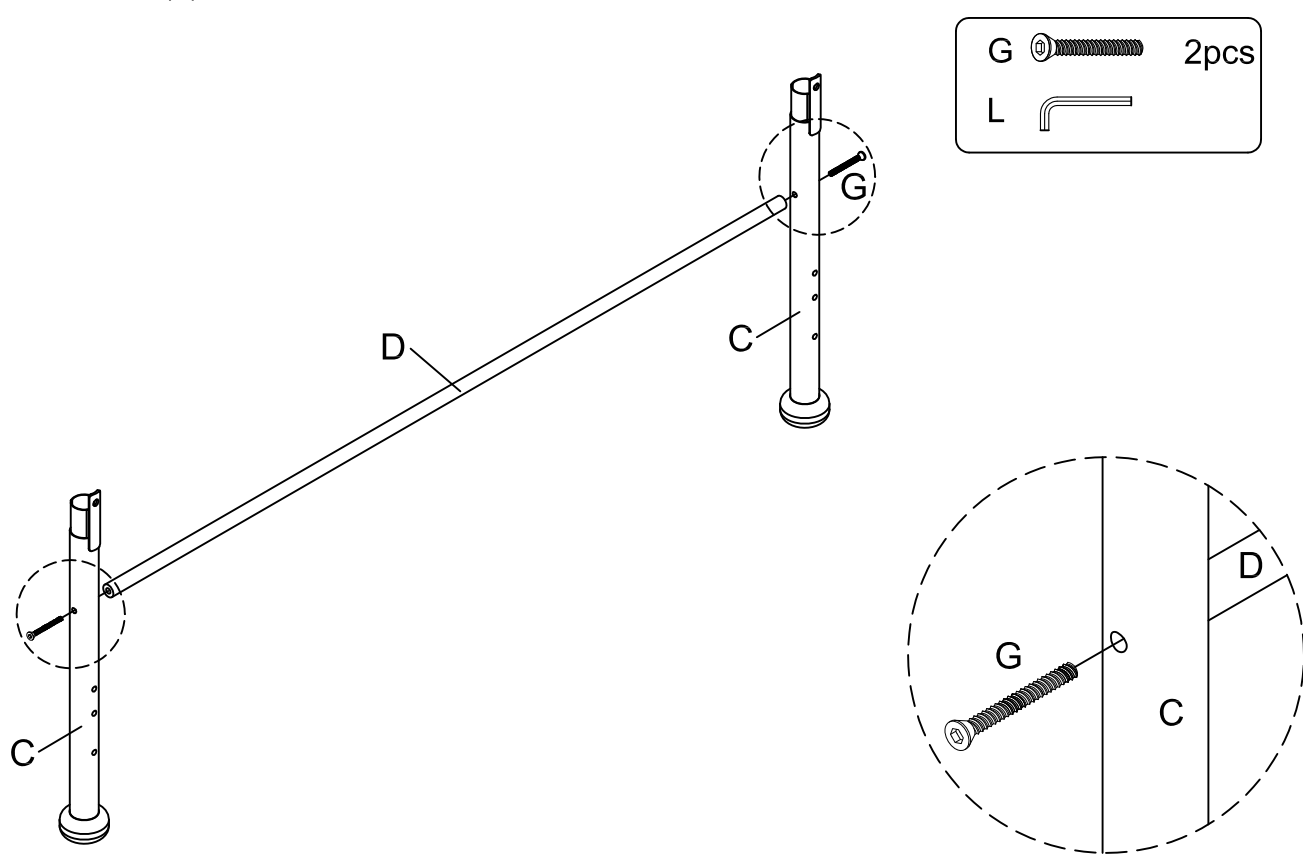


1pc

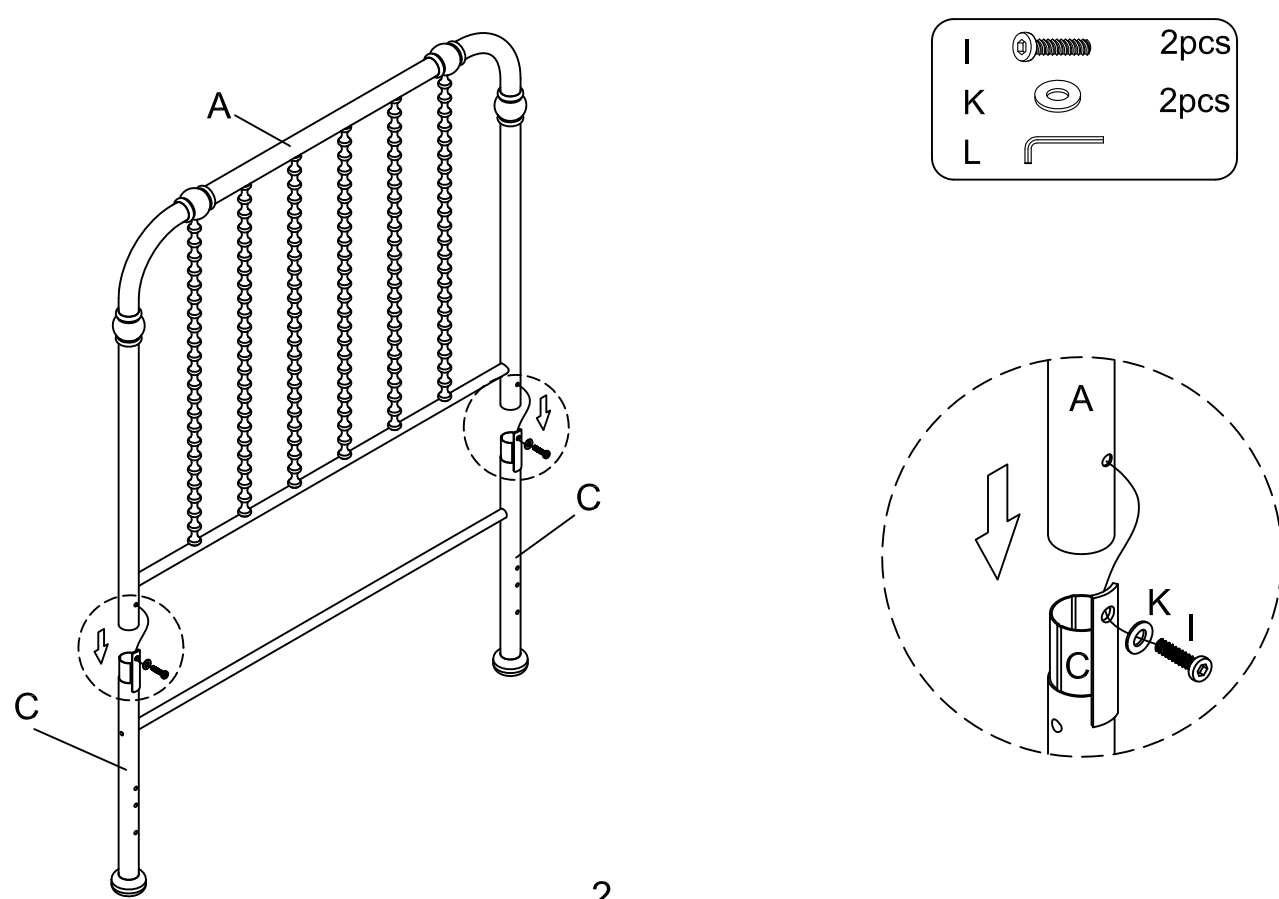


This page lists all the contents included in the box. Please take the time to identify the hardware as well as the individual components to this product. As you unpack and prepare for assembly, place the contents on a carpeted or padded area to protect them from damage.

1 Assemble the bar (D) to the extension leg (C) with 2pcs bolts (G), then fastened using allen wrench (L).

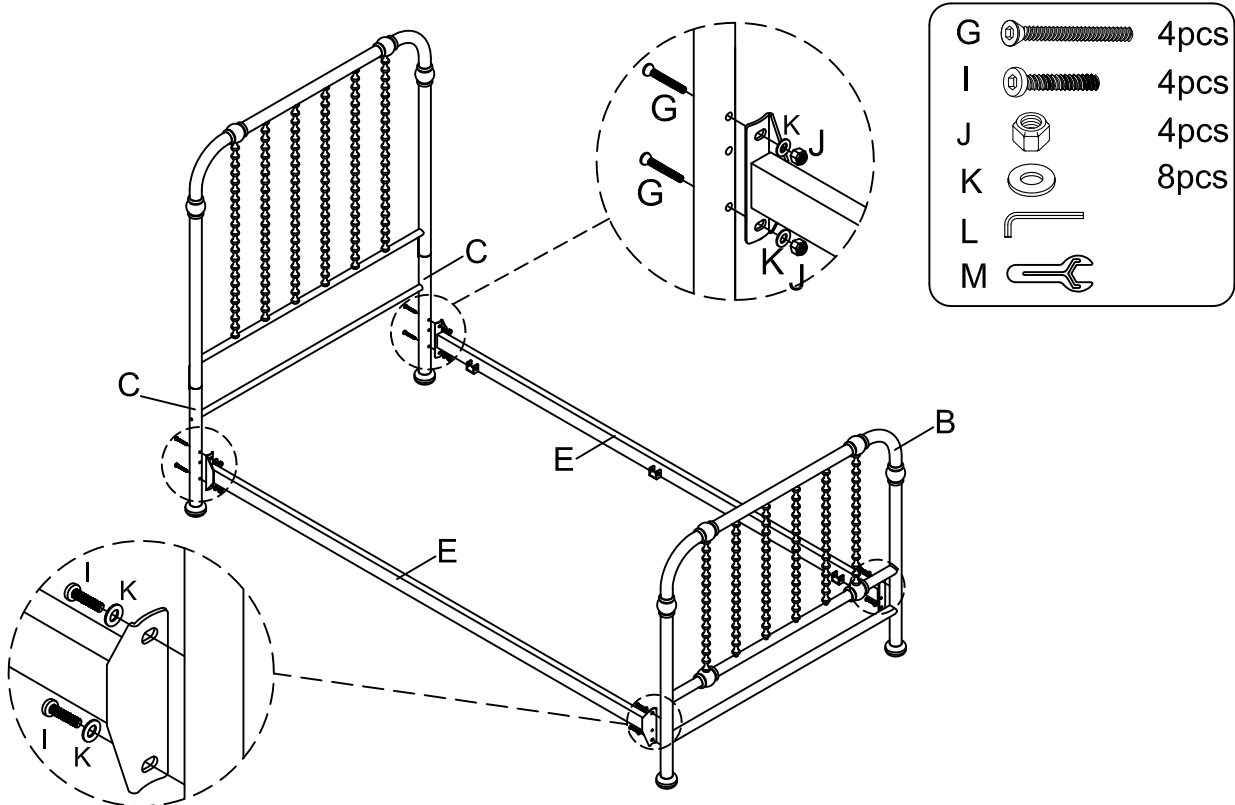


2 Assemble the headboard (A) to the extension leg (C) with 2pcs bolt (I) and 2pcs flat washer (K), then fastened using allen wrench (L).

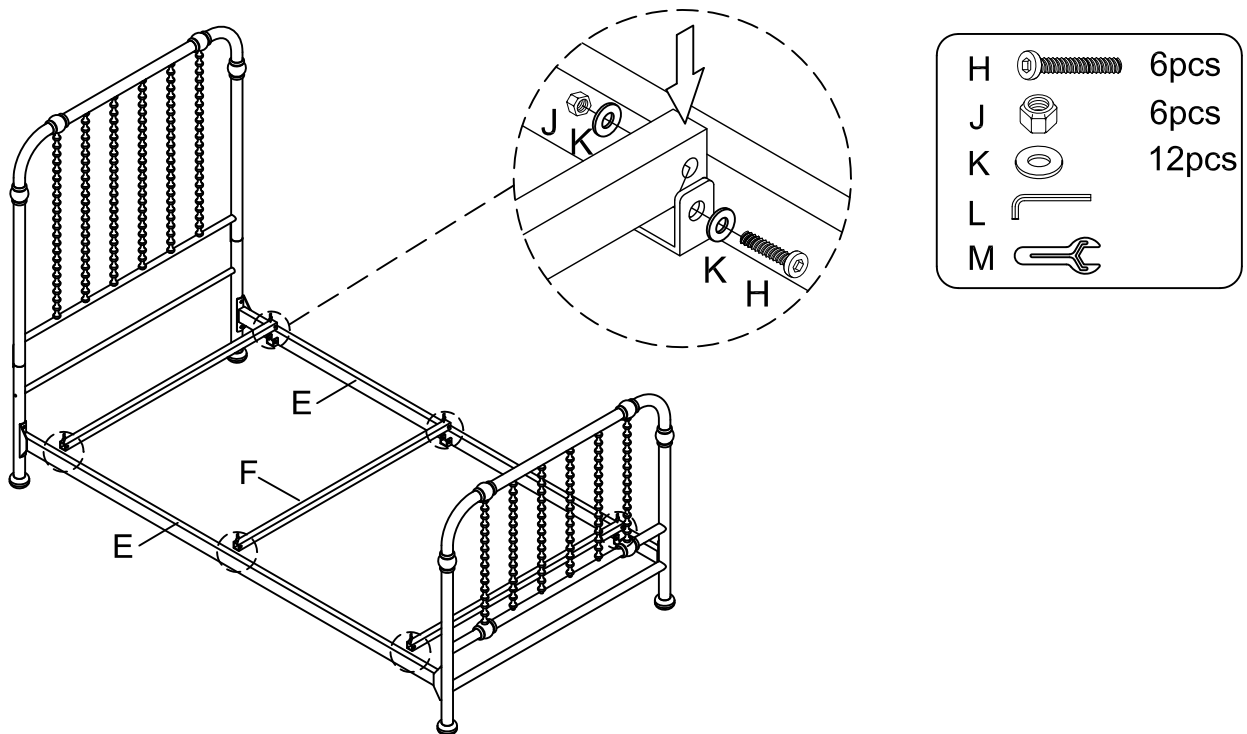


3

Assemble the side rail (E) to the extension leg (C) and the footboard (B) with 4pcs bolts (G), 4pcs bolts (I), 4pcs nuts (J) and 8 pcs flat washer (K), then fastened using allen wrench (L) and wrench (M).

**4**

Assemble the slat (F) to the side rail (E) with 1 pc bolt (H), 1pc nut (J) and 2 pcs flat washer (K) for each end of slat (F), then fastened using allen wrench (L) and wrench (M).



Cleaning & Care

Treat surface with care. Surface is resistant to scratches but is not scratch resistant. Clean surfaces with a dry or damp soft cloth. Do not use abrasive cleaners. Hardware may loosen over time. Periodically check that all connections are tight.