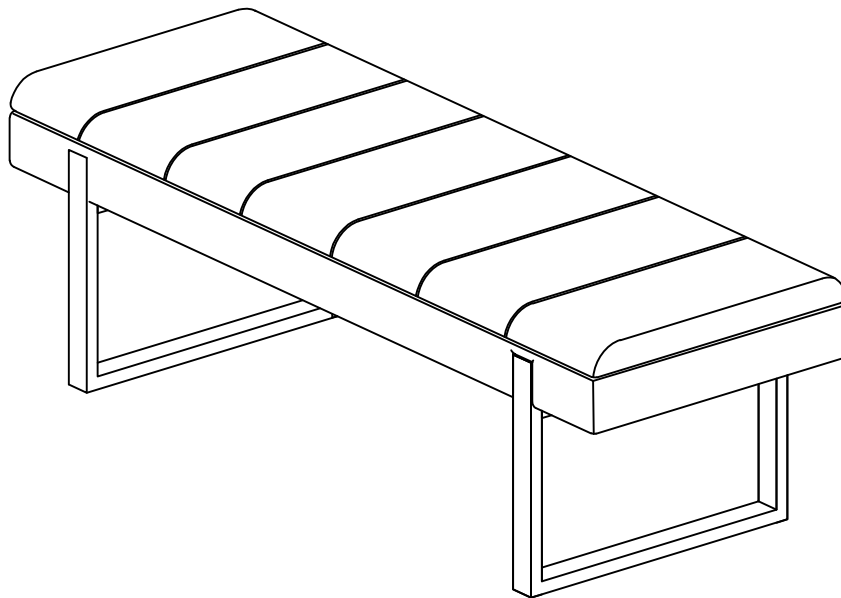


ASSEMBLY INSTRUCTIONS



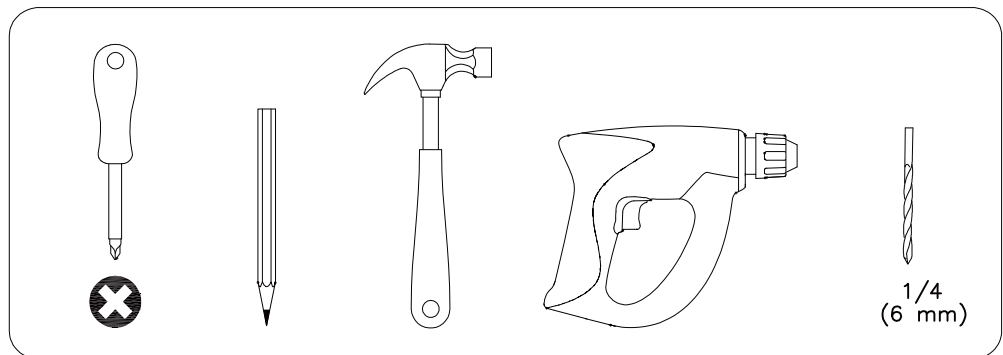
Read this instruction carefully. Refer hardware and furniture parts list for guidance. Be sure all parts are complete before assembling. Place all furniture parts on a clean and flat soft surface to prevent scratches. Refer steps provided as assembling guide.

PRE-ASSEMBLY PREPARATION

Before you start:

1. Choose a clean, level, spacious assembly area. Avoid hard surfaces that may damage the product.
2. Take care when lifting. Product should be assembled as near as possible to the point of use.
3. Ensure that you have all required contents for complete assembly.
4. Always read the assembly instructions carefully before beginning assembly.
5. Keep all hardware parts and packaging out of reach of small children.
6. Do not over tighten the screws and bolts as this may damage the threads.

Tools Needed (not included)



WARNING



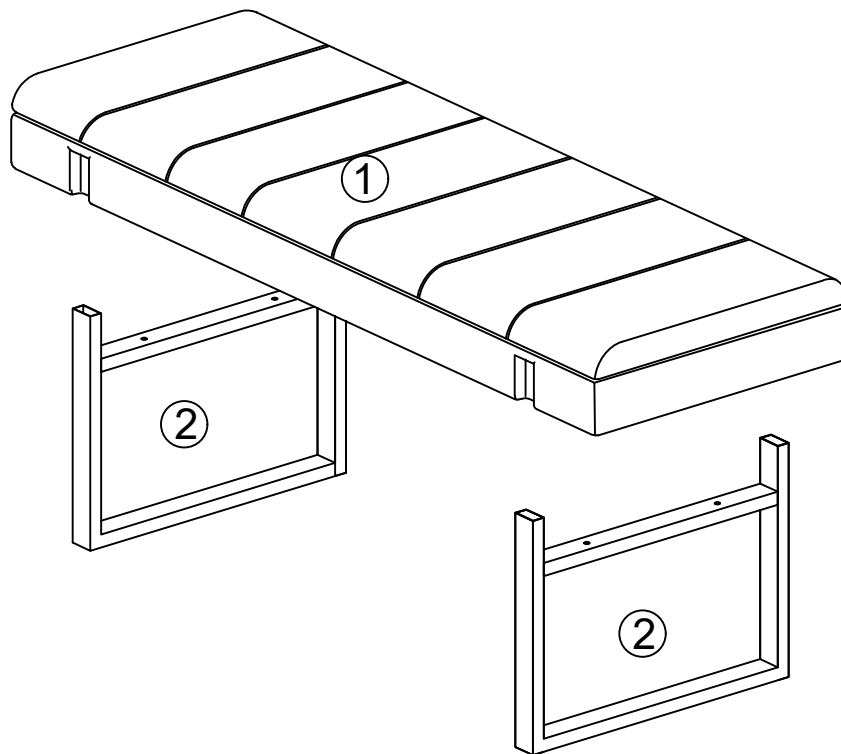
Furniture tipovers can be fatal to children. To minimize this risk:

- **ALWAYS** use the tipover restraint provided.
- **DO NOT** place a TV or similar items on the product.
- **DO NOT** let children stand, climb or hang on drawers, doors, or shelves.
- **ONLY** open one drawer at a time.
- **STORE** the heaviest items in the bottom drawers.

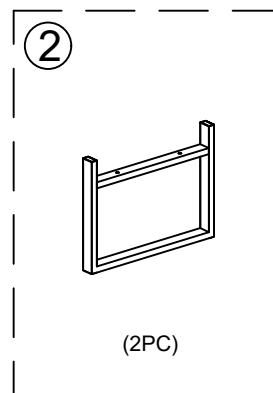
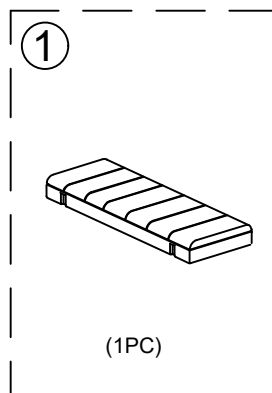
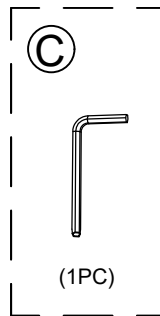
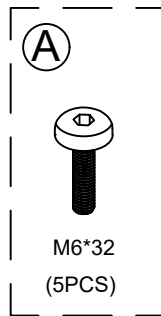


This label must remain in place and cannot be removed.

Product disassembly diagram



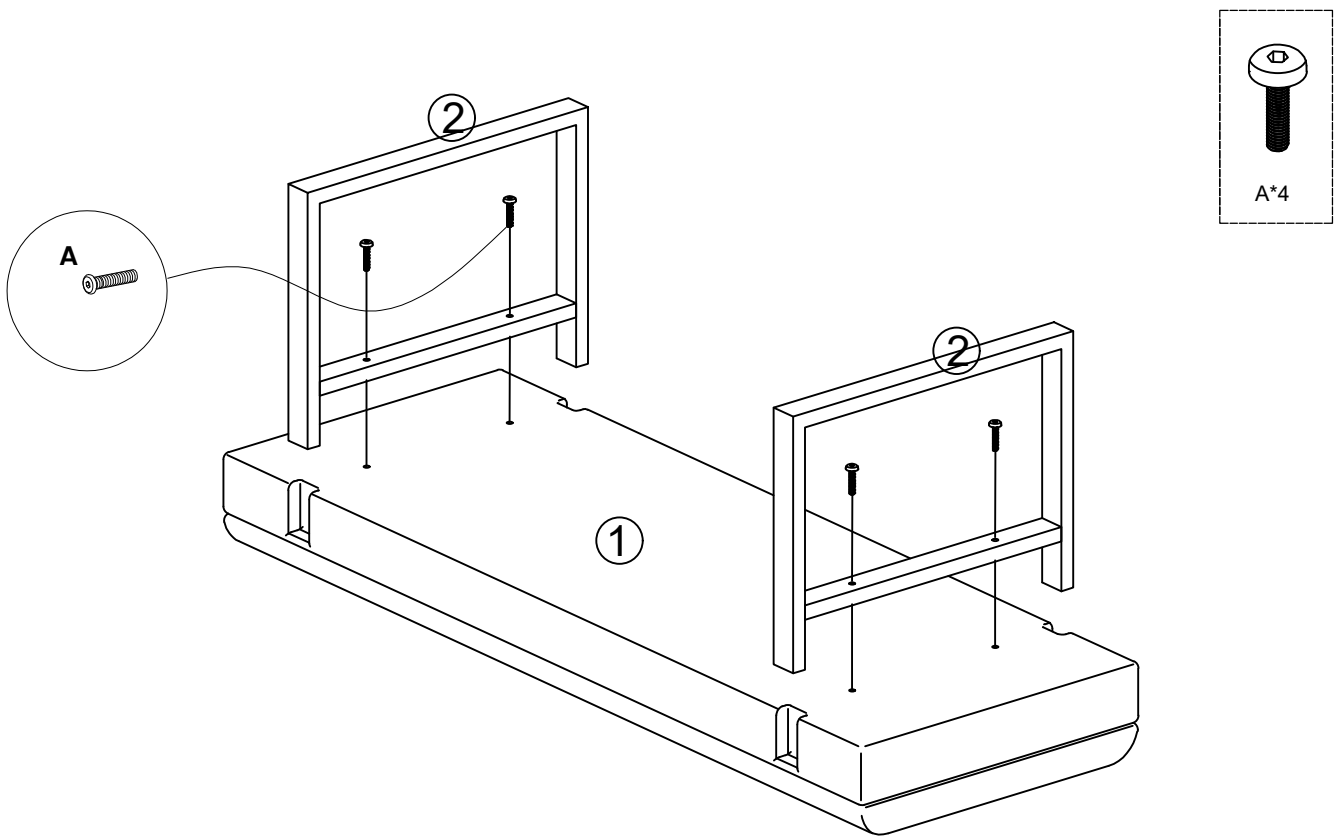
Hardware List



NOTE:

To make things easier for you, we've included a few commonly used spare parts (such as screws). They're there in case any pieces are lost in transit or damaged during installation. Feel free to swap them in whenever needed—so your experience stays smooth and trouble-free.

Step 1



Step 2

