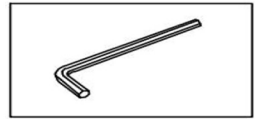
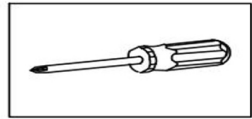


Sleeper Sofa Installation

INSTALLATION MANUAL Tools You Will Need:



Hexagon wrench



Philips Screwdriver

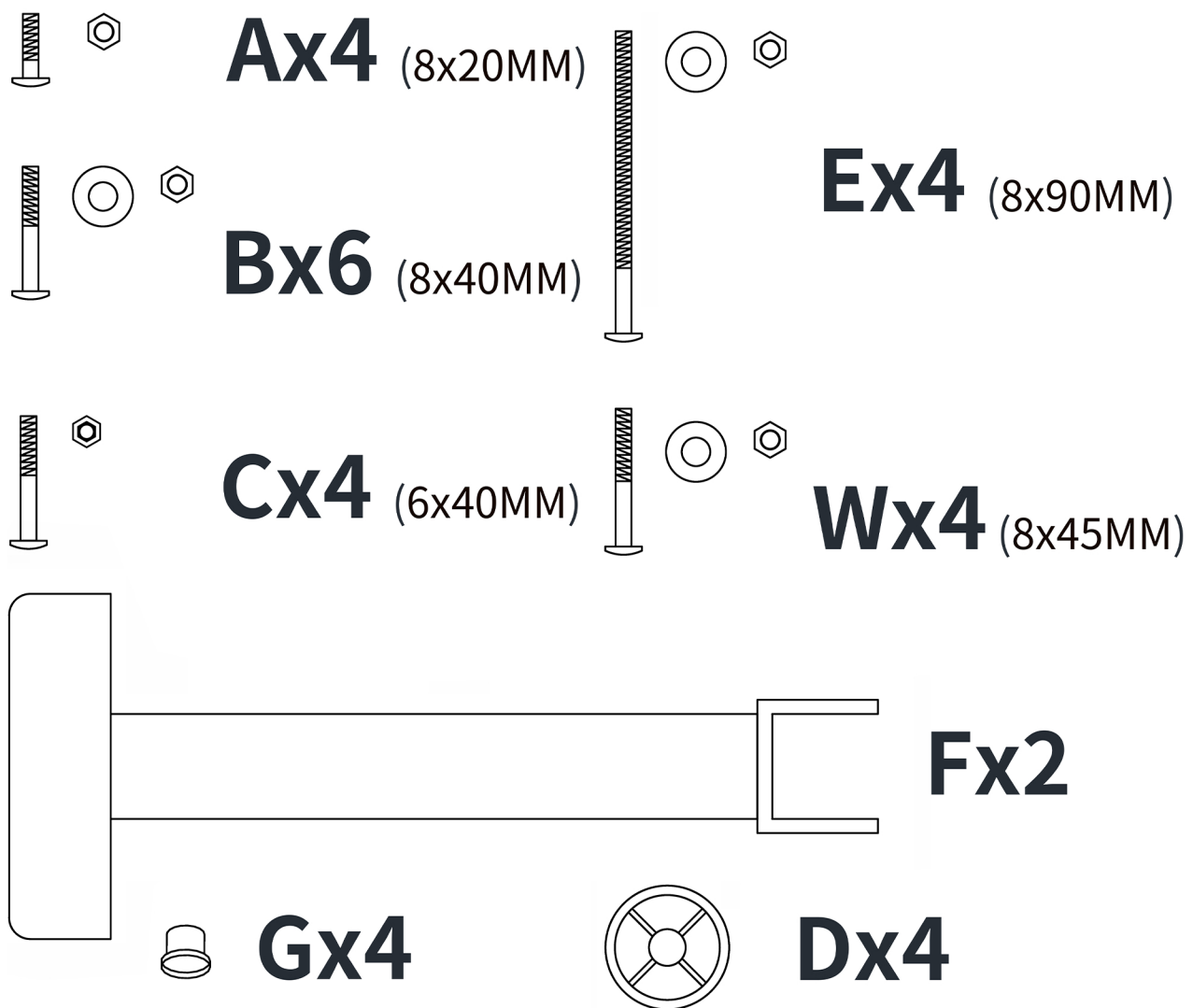
Before the Installation

1. Do not throw away packing materials until assembly is complete for small parts may come loose inside the carton during shipment. If parts are missing, please contact us.
2. Assemble this item on a soft surface, such as carpet to protect the finish.
3. Proper assembly of this item requires 2 people.
4. Periodically check to ensure that all connections are tight.
5. It is recommended that installation of the product be done by a qualified licensed plumber.

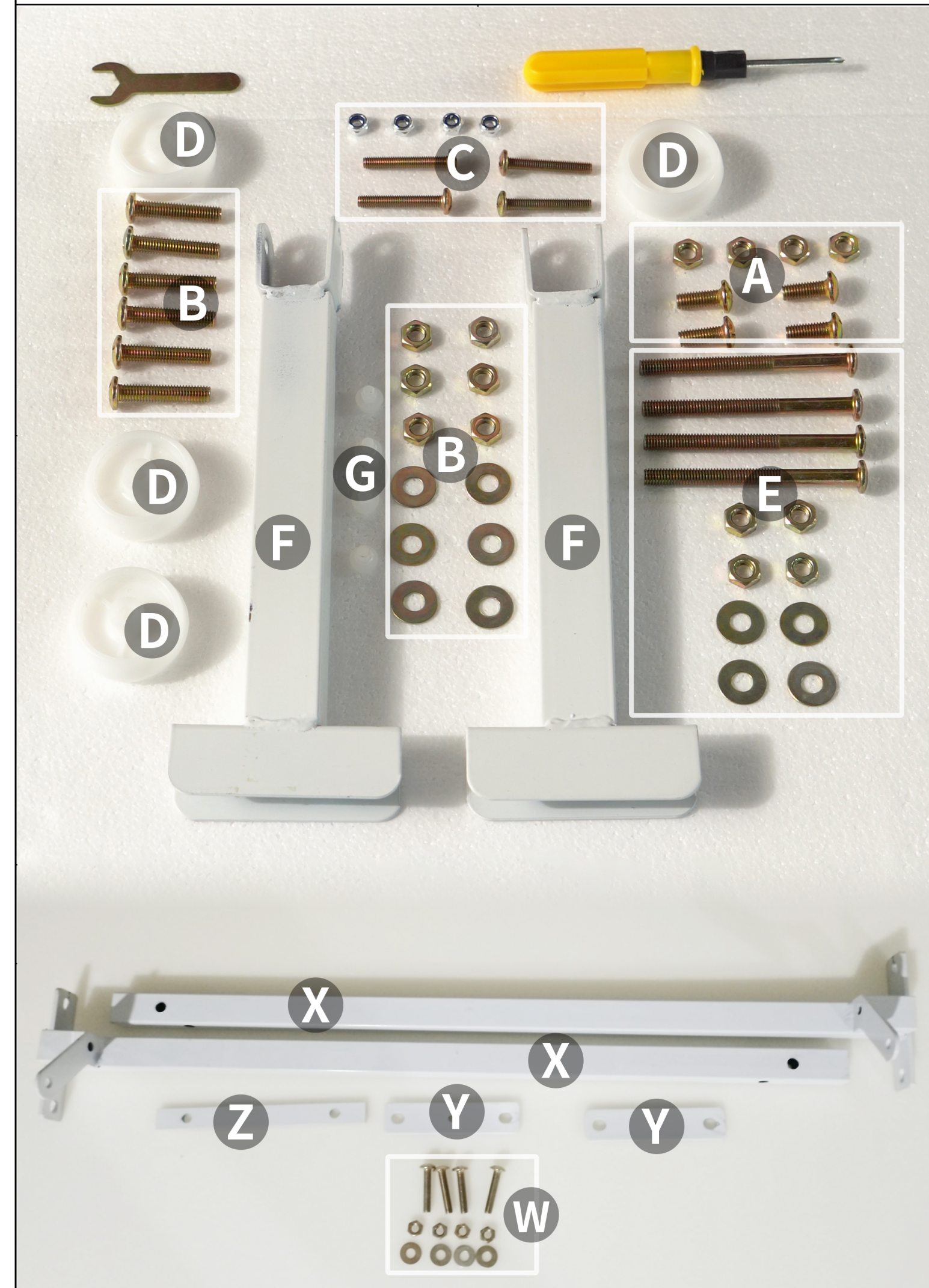
Care and Cleaning

1. To protect the finish, avoid use chemicals and household cleaners.
2. All hot serving dishes should be placed on a pad.
3. Any liquid spilled onto the top should be cleaned up immediately with a damp cloth.

Parts List



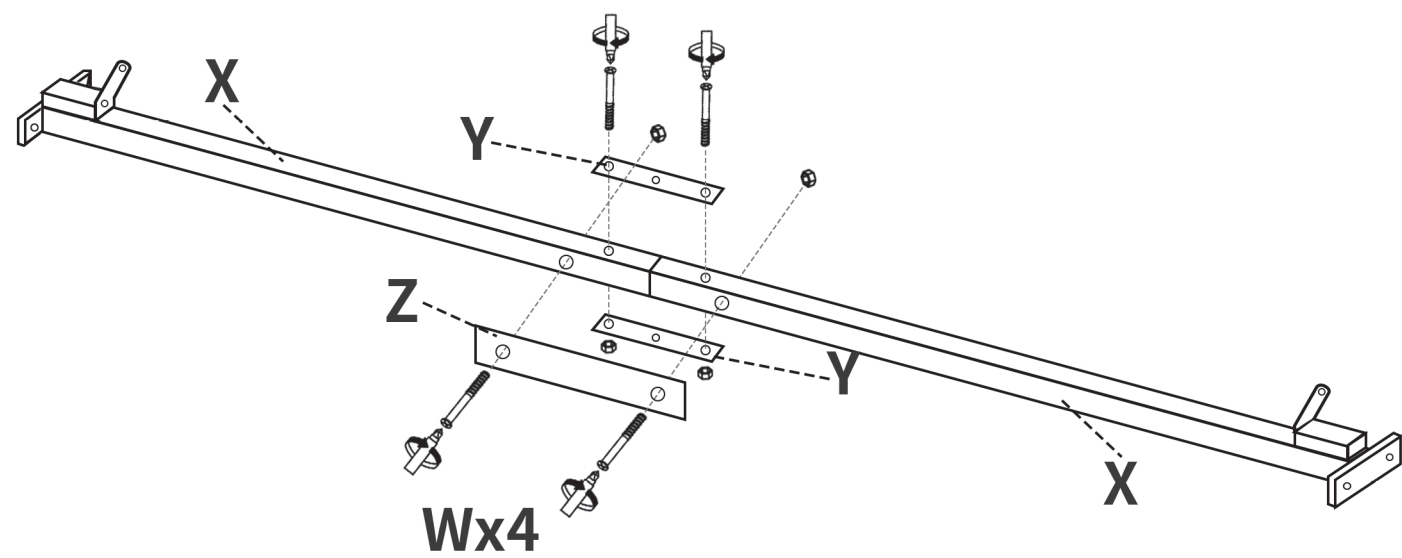
Parts List



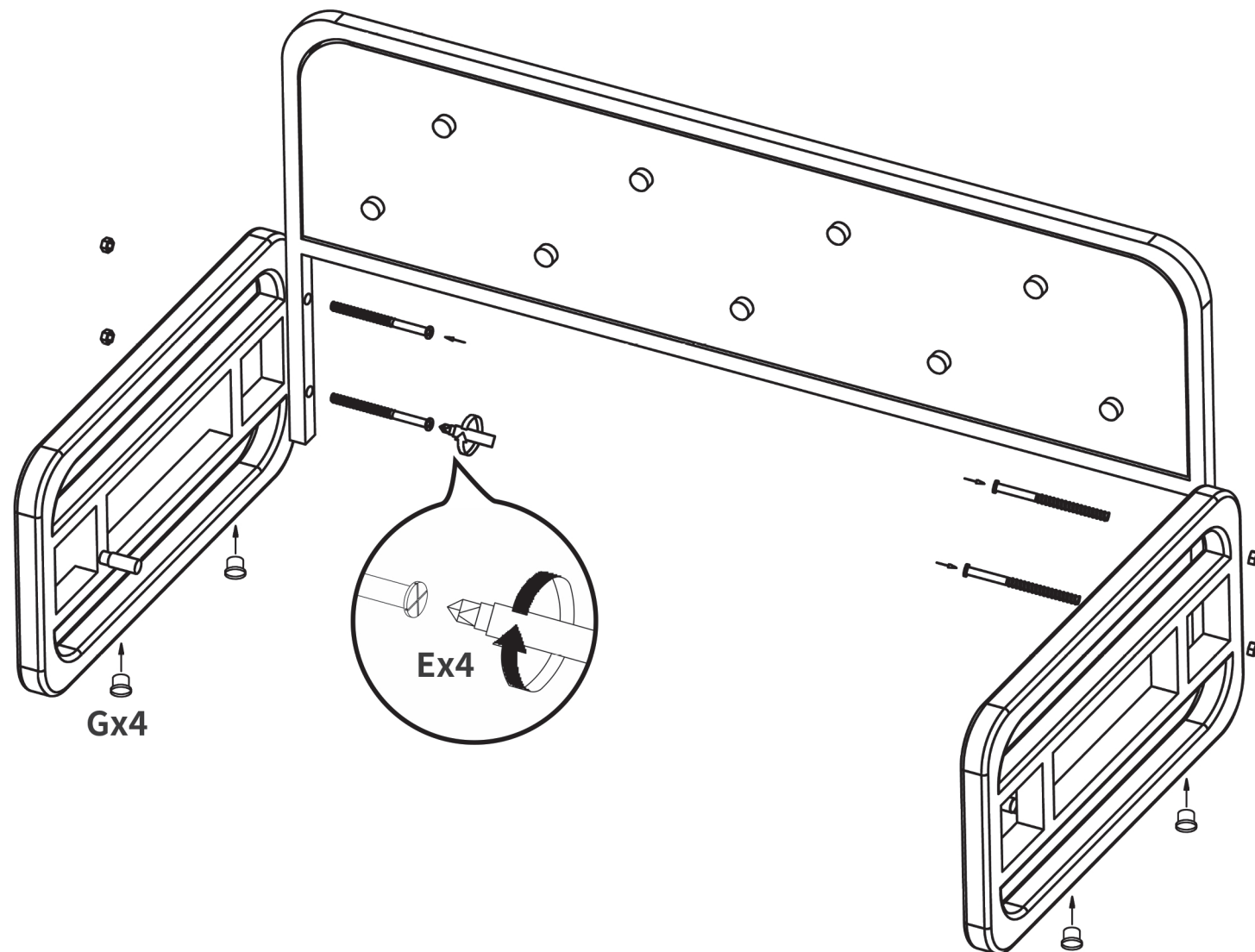
Note: Do not fully tighten all bolts until all parts are in place. Failure to follow these instructions may cause the bolt to misalign during assembly.

Installation Guide

STEP 1

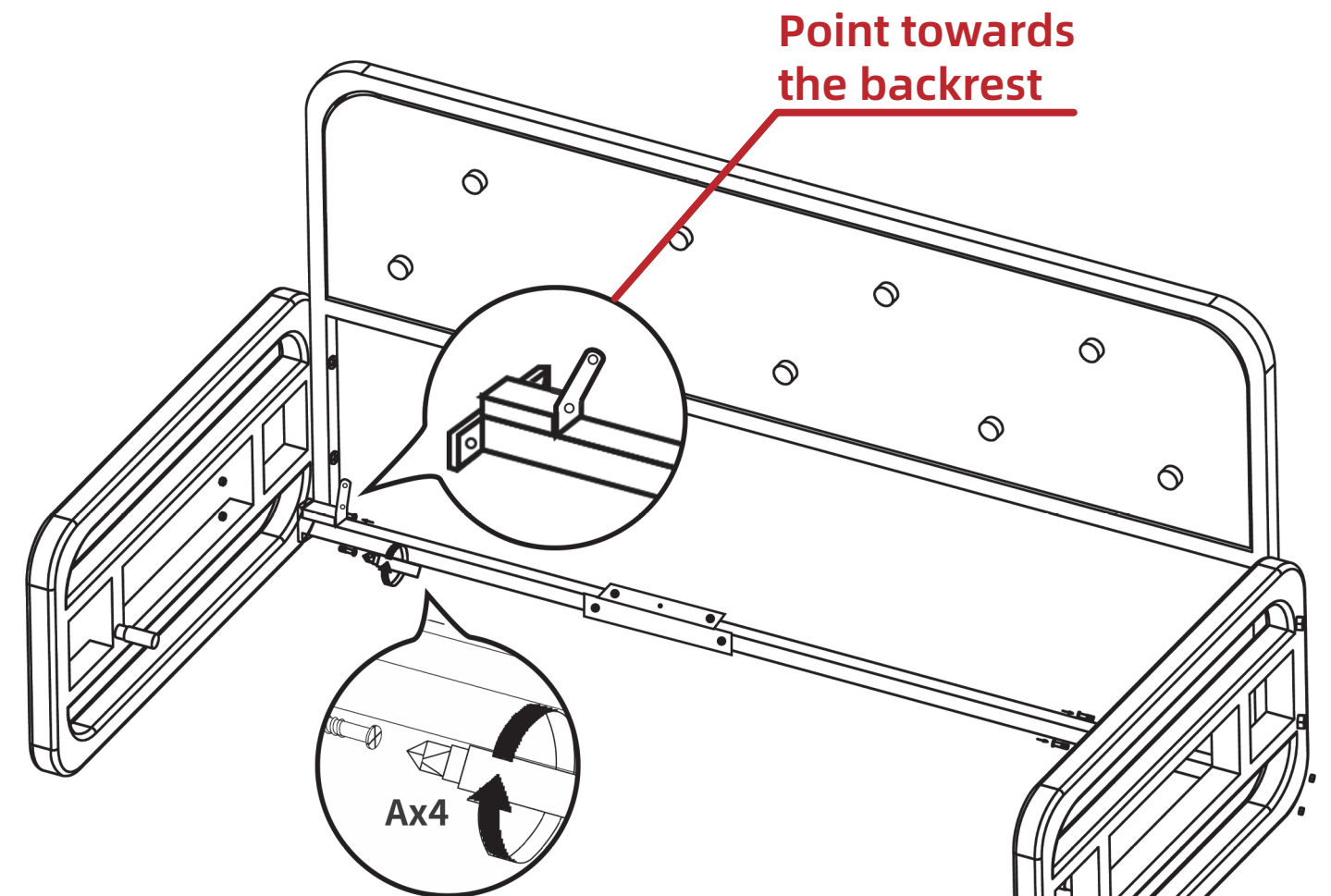


STEP 2



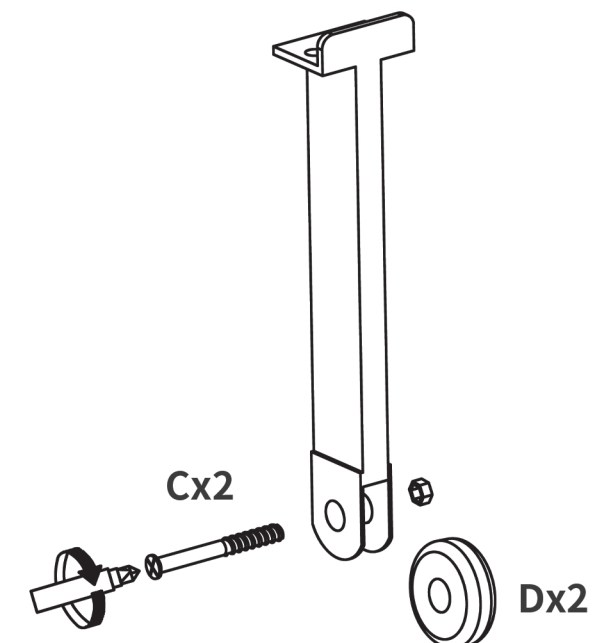
Installation Guide

STEP 3



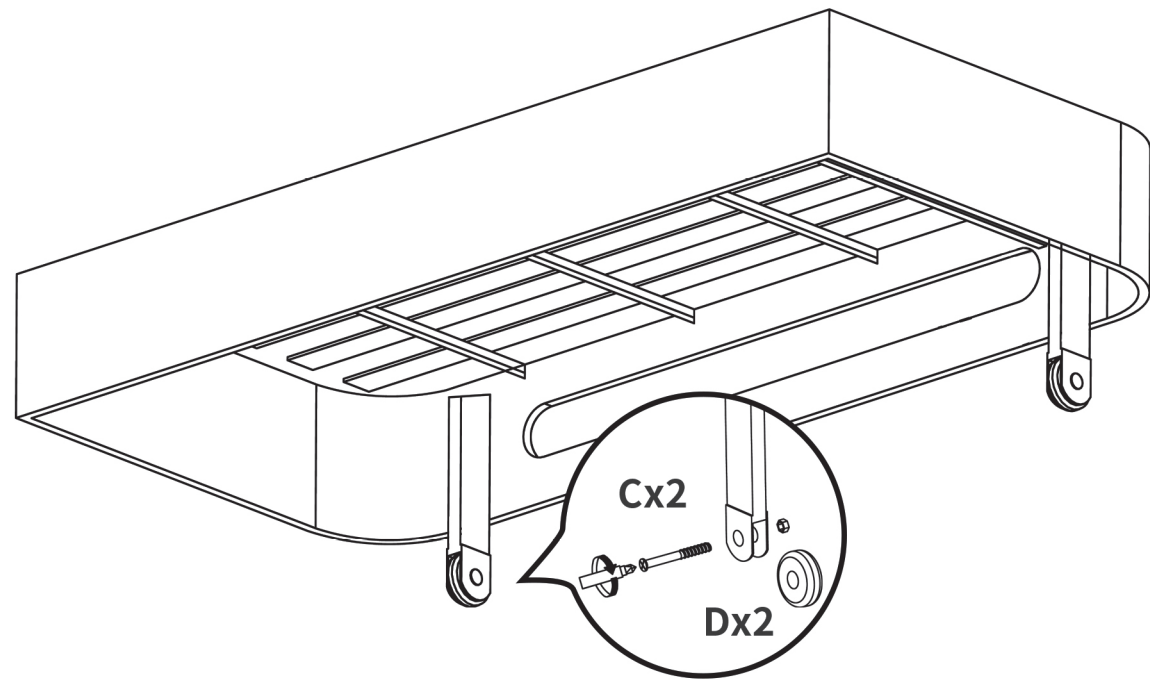
!!! Installing in the opposite direction may cause damage to the hardware.

STEP 4



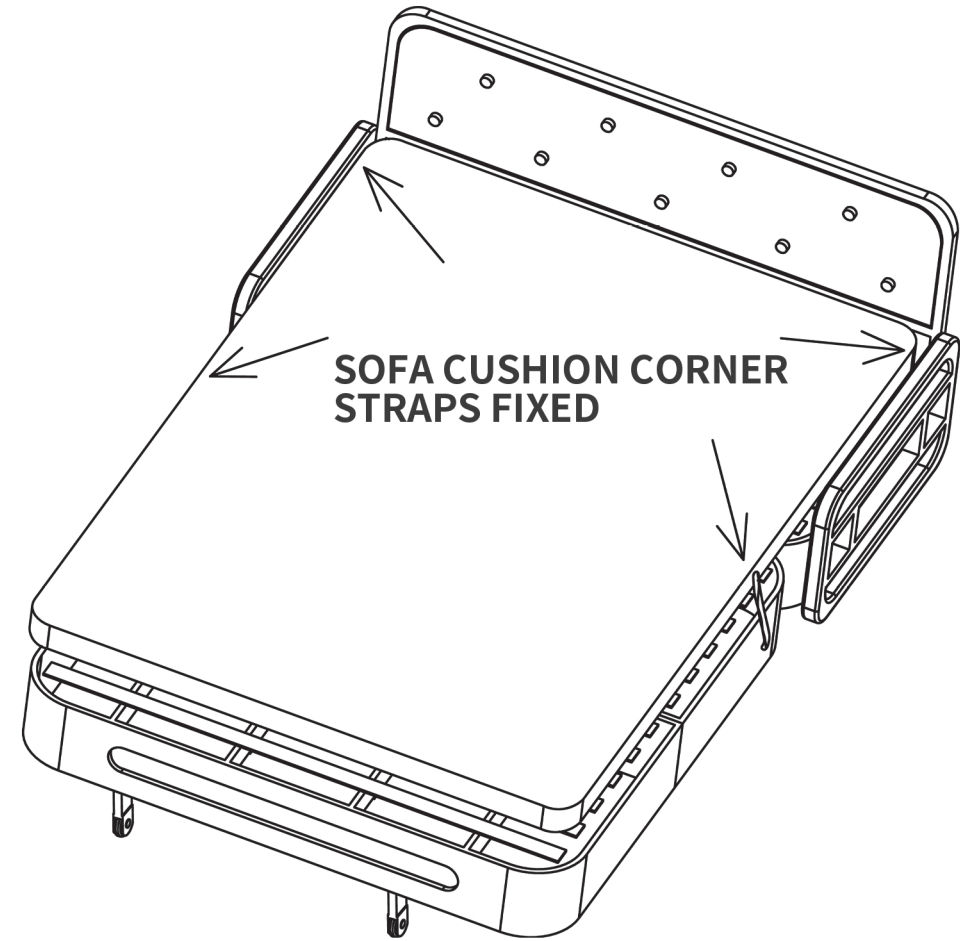
Installation Guide

STEP 5

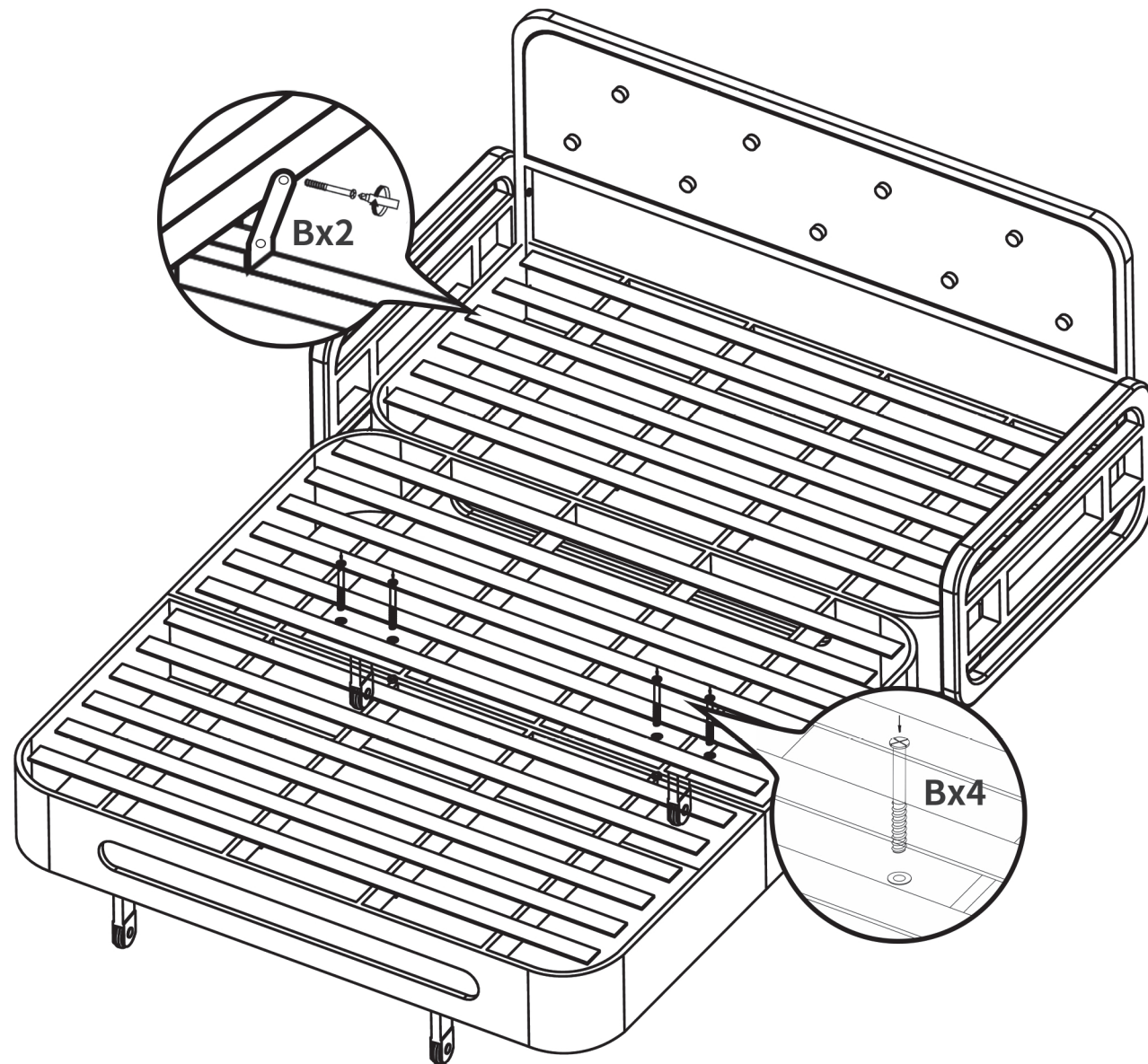


Installation Guide

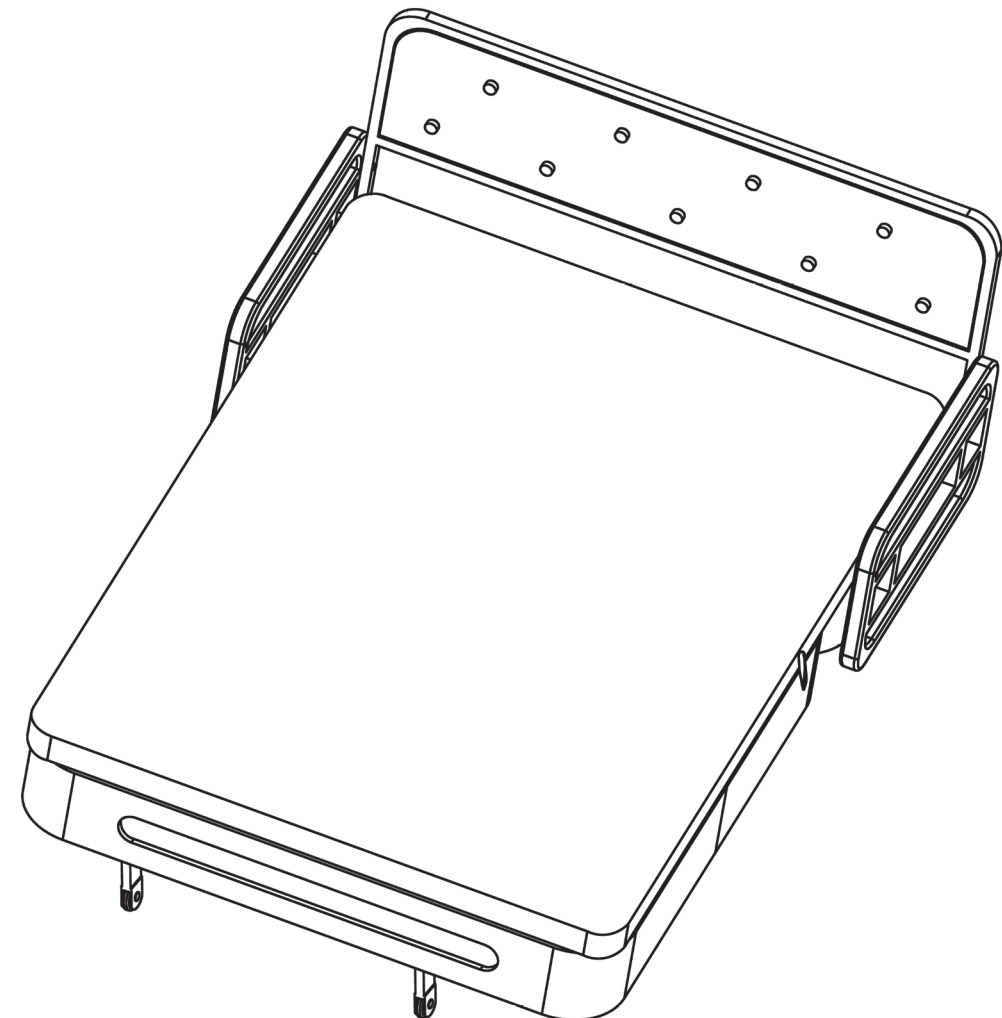
STEP 7

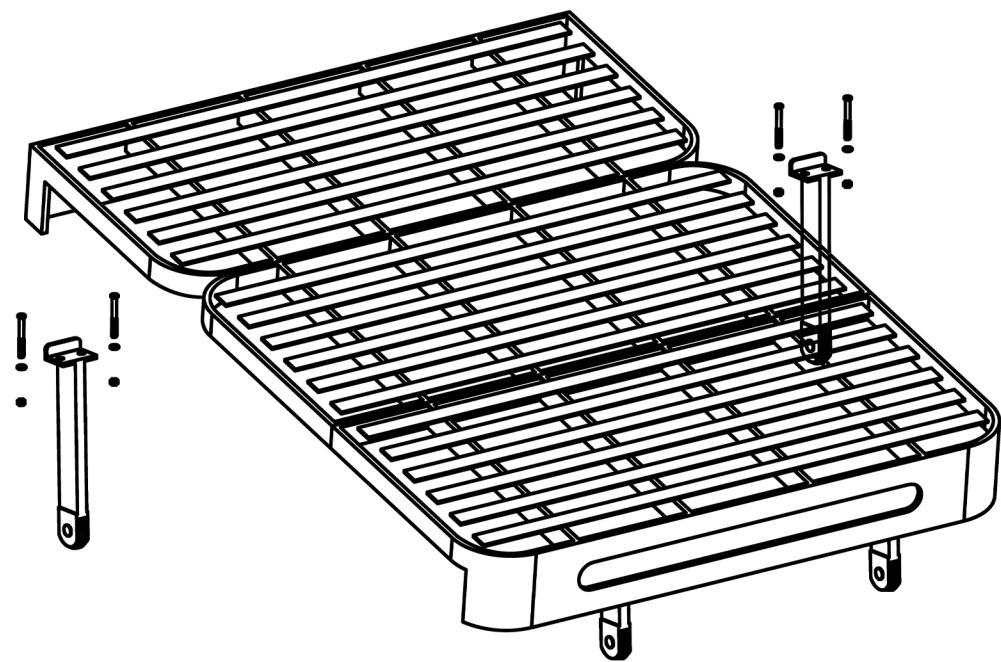
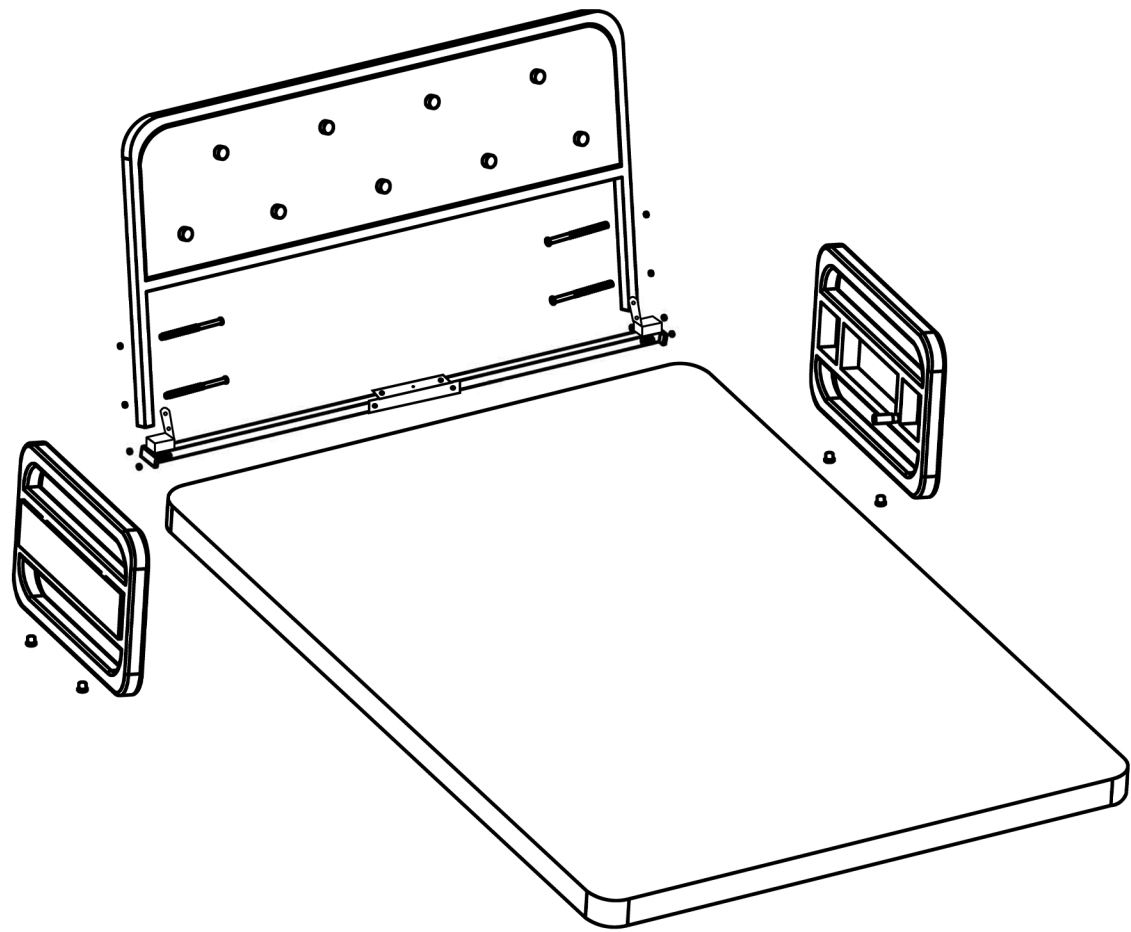


STEP 6



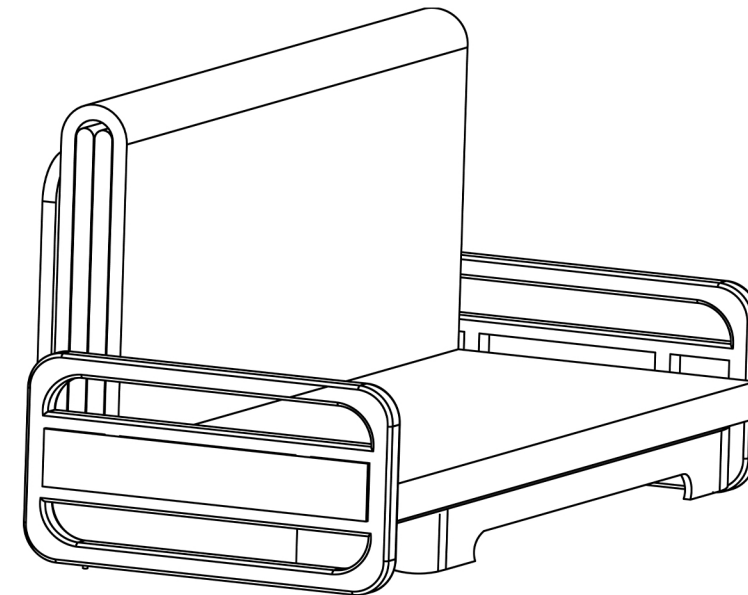
STEP 8



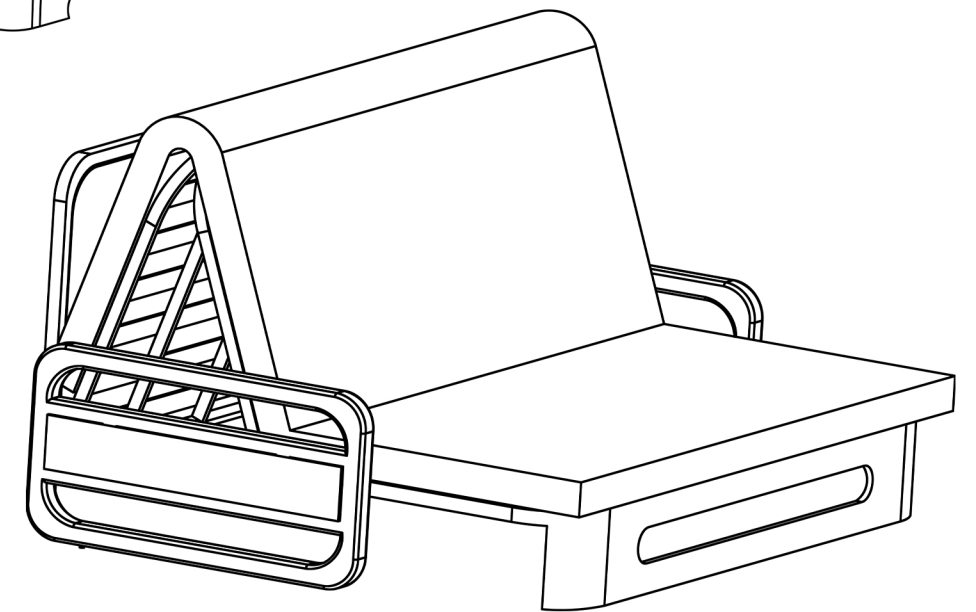


OVERALL UNFOLDING DISPLAY

SOFA BED UNFOLDING STEPS



2



3

