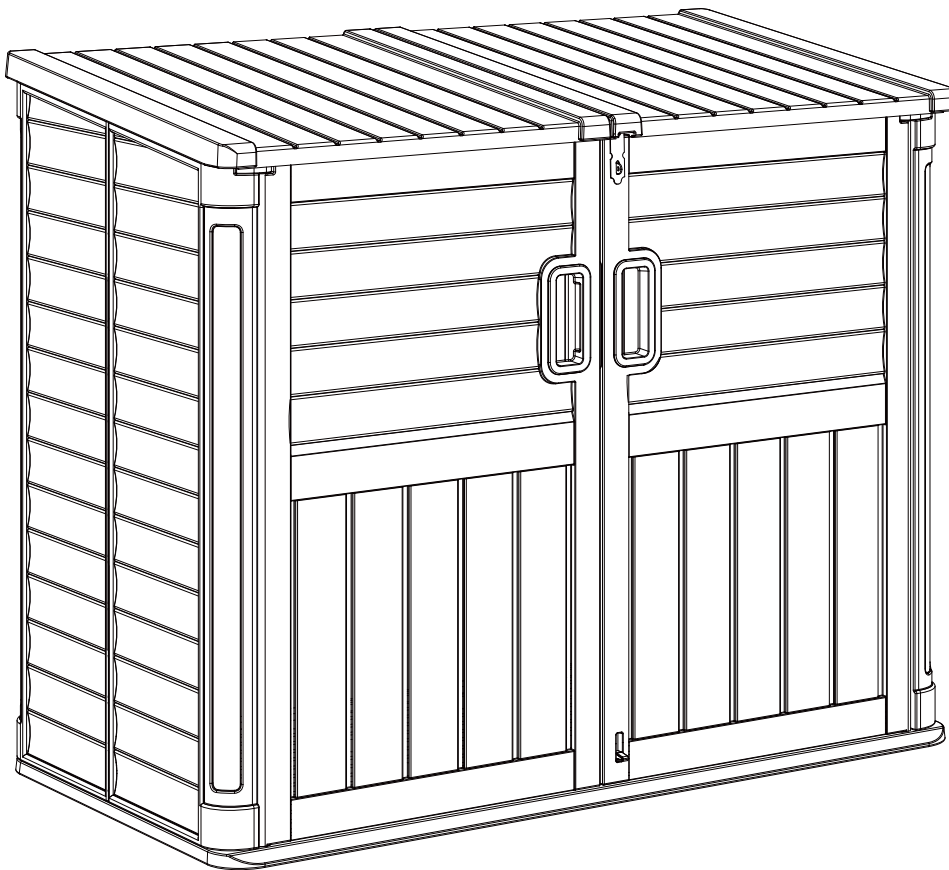


ASSEMBLY INSTRUCTIONS

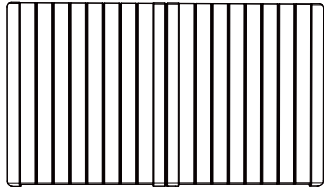
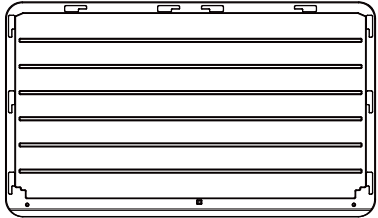
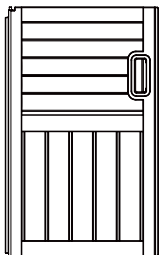
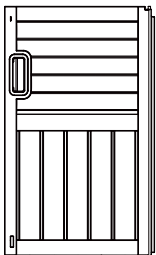
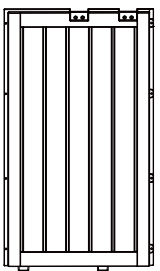
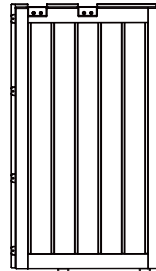
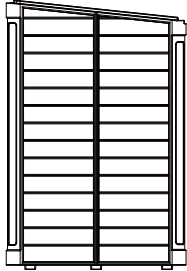
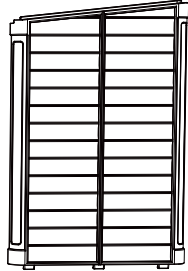
■ 1-Piece


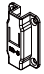

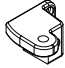
Outdoor storage shed



Parts

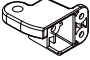


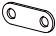






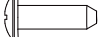
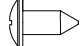
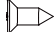
Check and make sure you get the components on the list, contact us for any missing.

E		X1	A		X1
DL		X1	DR		X1
BL		X1	BR		X1
CL		X1	CR		X1

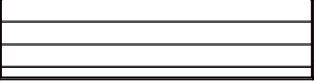
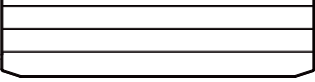


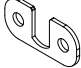

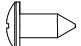

DR-4		X1	DR-5		X1
F-1		X16	DL-1		X1
E-6		X1	DR-2		X1

Parts

Check and make sure you get the components on the list, contact us for any missing.

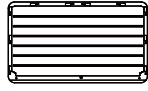
DR-1		X1	H-1		X4
E-5		X2	G-4		X4
E-3		X2	E-1		X1
E-2		X1	DR-6		X1
E-4		X2	S1	 M5x14	X19
S2	 SC4x12	X10	S3	 SC6x20	X21
S4	 SC6x14	X2	S5	 SC3x10	X2

If you purchase the shelves, you will also receive the following parts:

F		X2	G		X2
F-2		X3	F-3		X1
F-4		X2	F-5		X10
S4	 SC6x14	X31	G-4		X8

Assembly steps

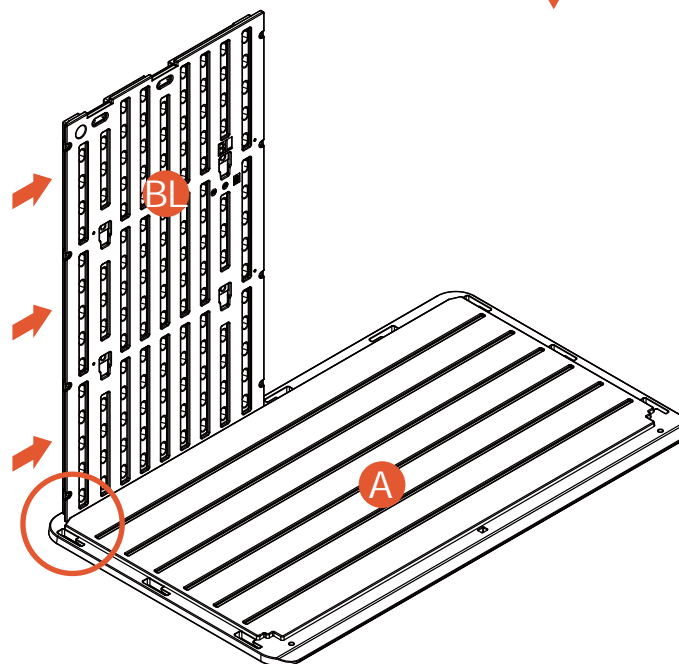
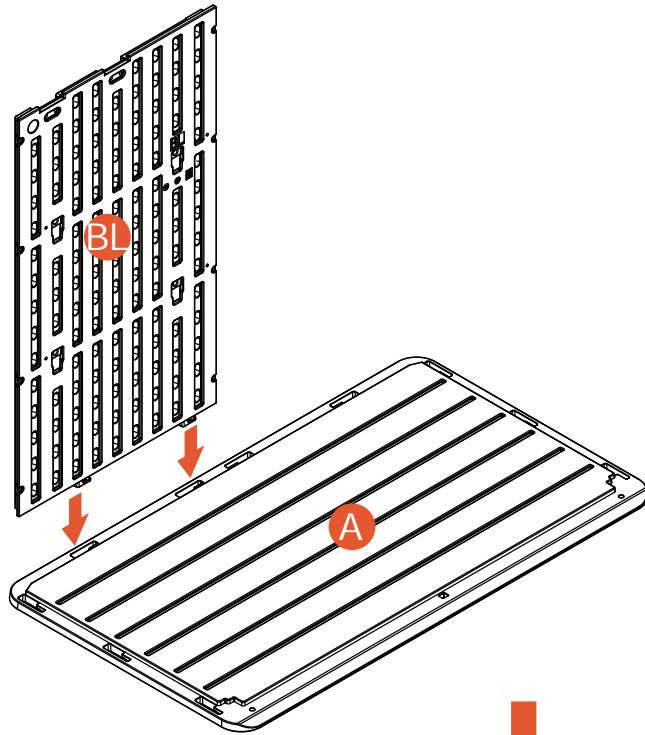
Step 1



A (X1)

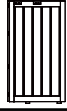


BL (X1)

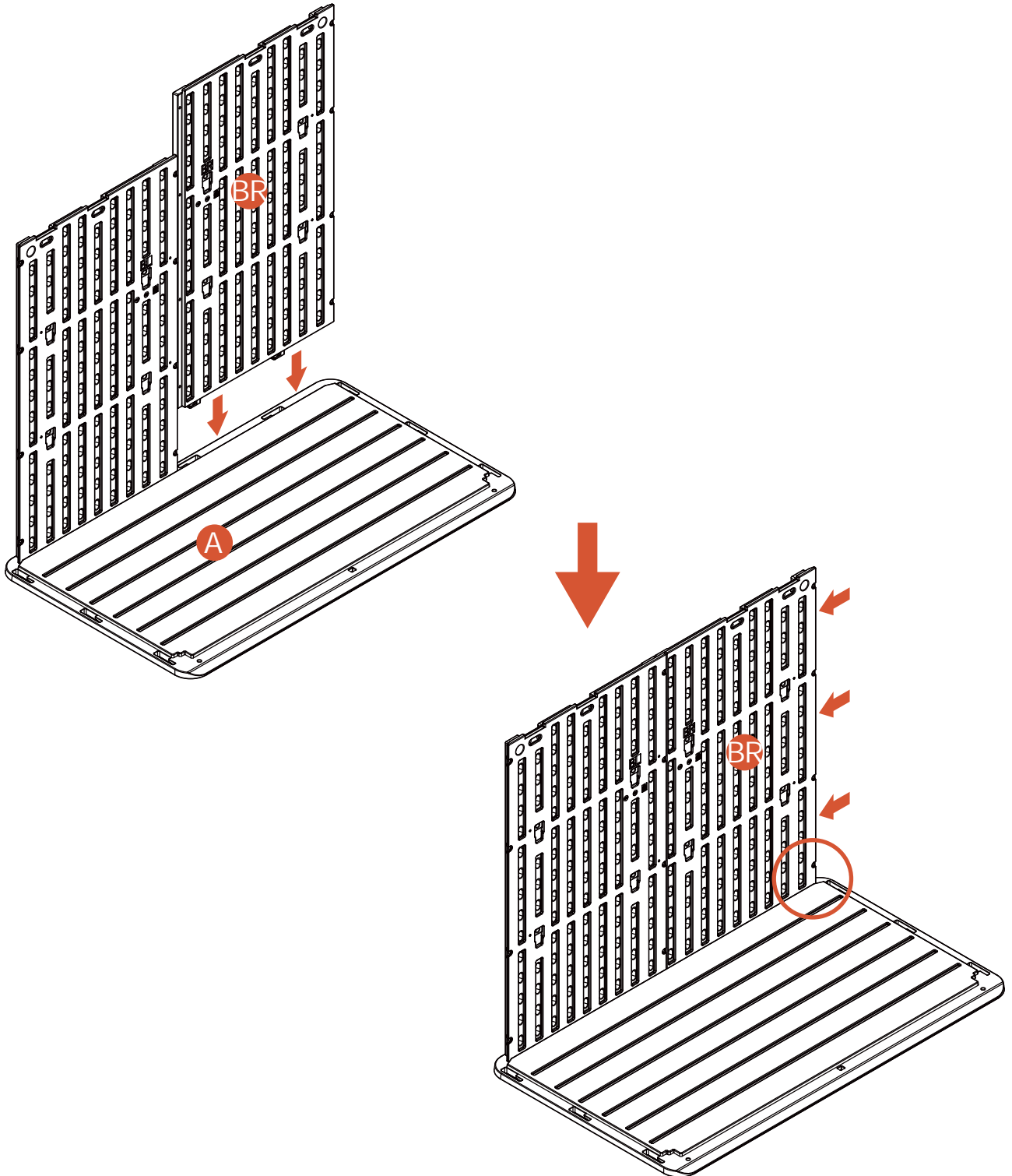


Assembly steps

Step 2

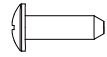


BR (X1)

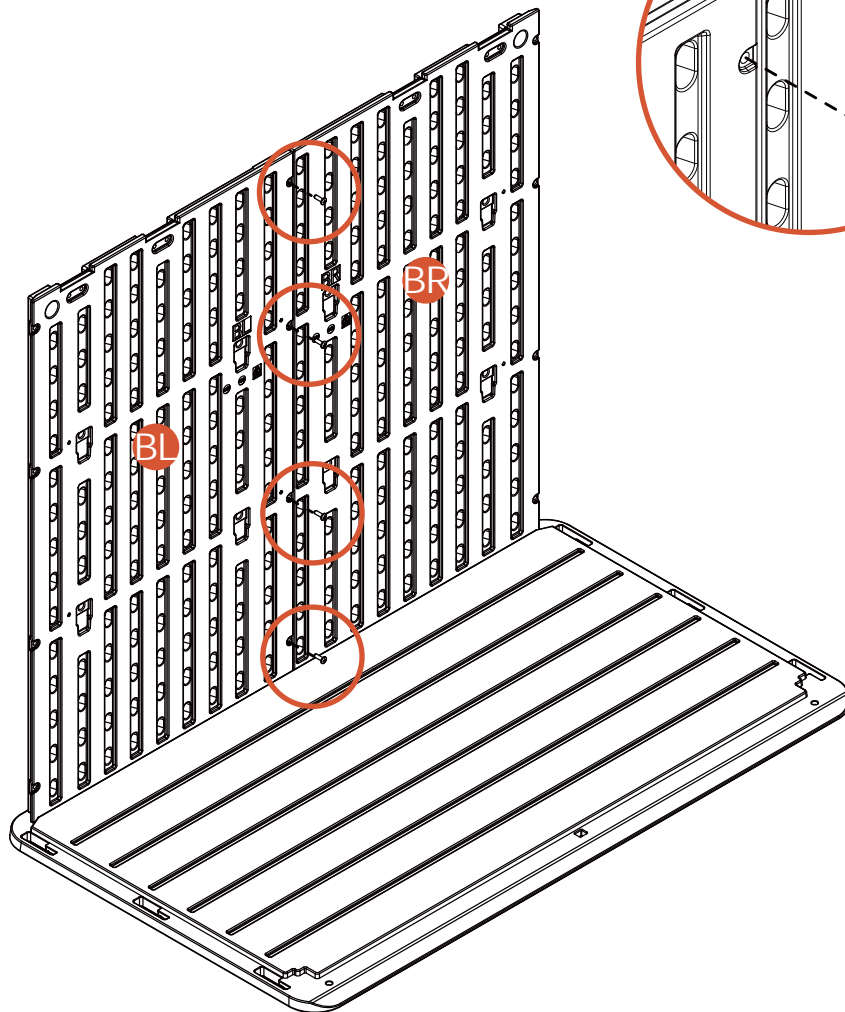
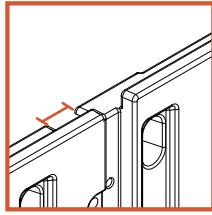
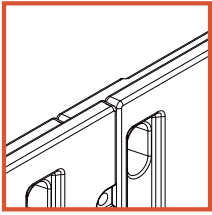


Assembly steps

Step 3

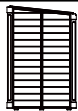


S3 (X4)

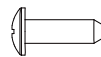


Assembly steps

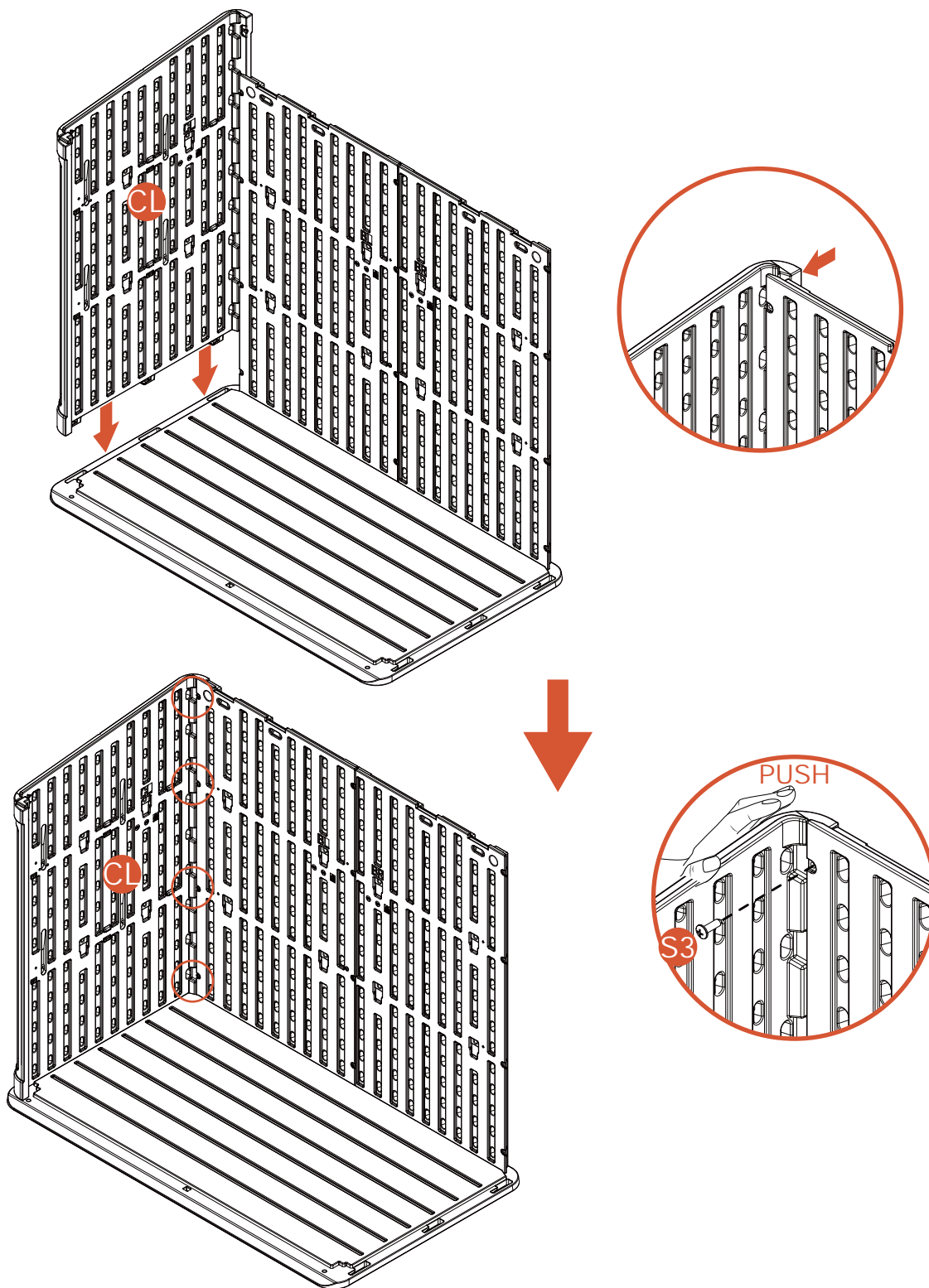
Step 4



CL (X1)

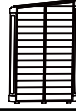


S3 (X4)

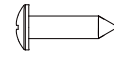


Assembly steps

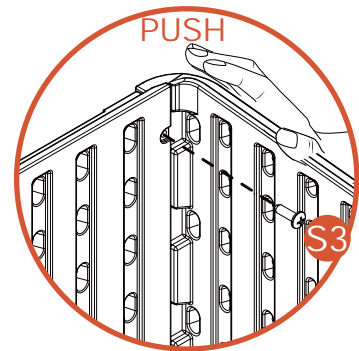
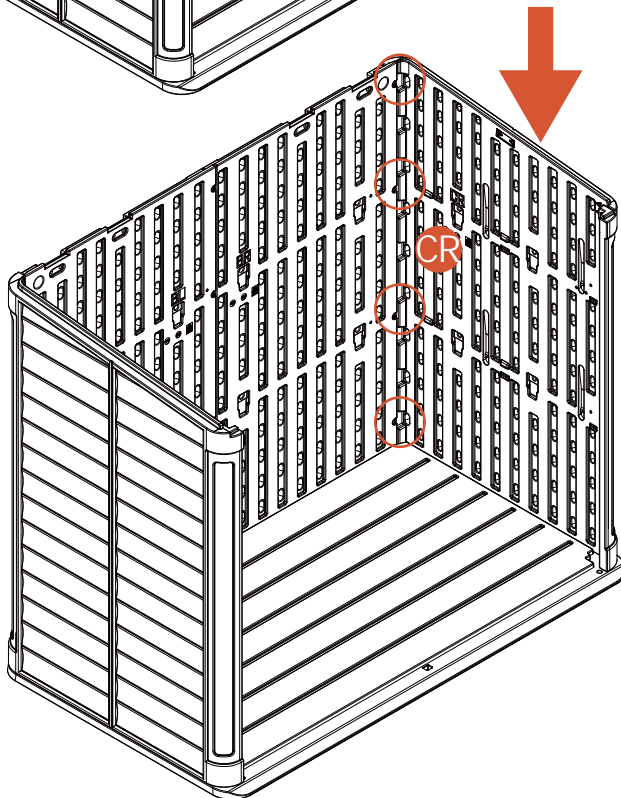
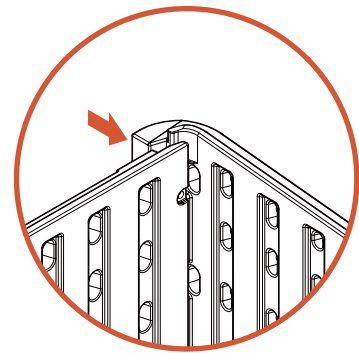
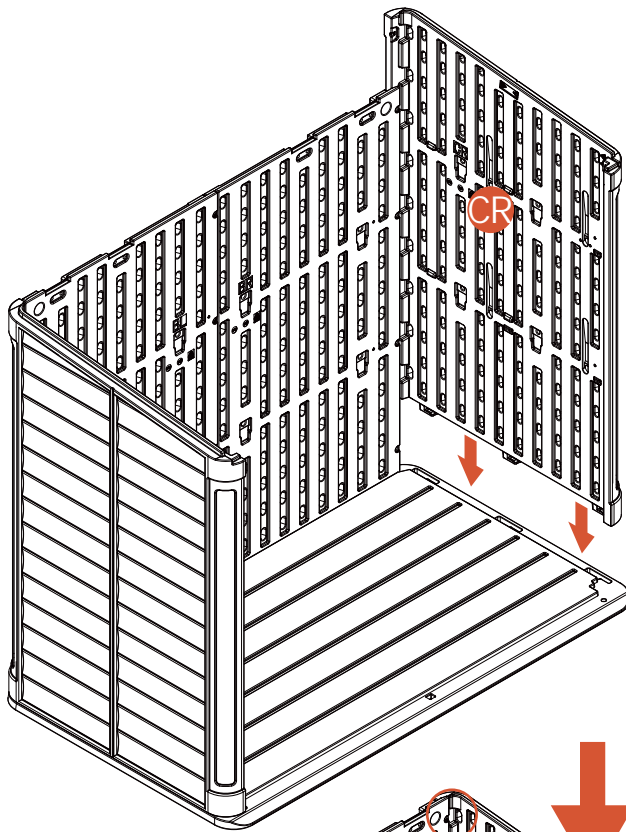
Step 5



CR (X1)

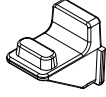


S3 (X4)

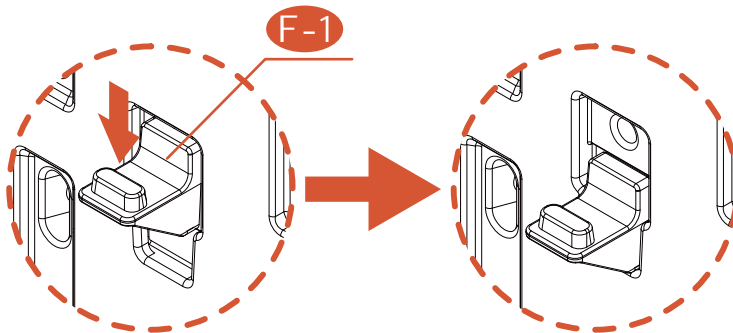
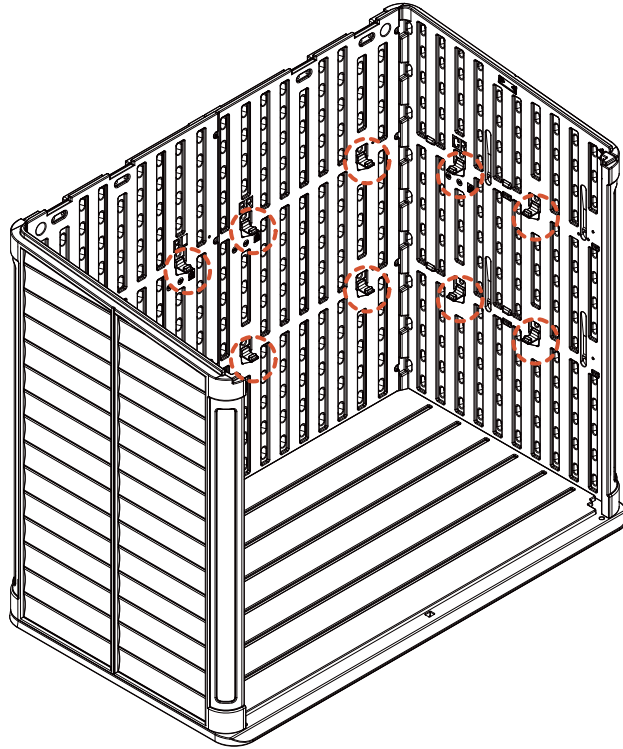


Assembly steps

Step 6

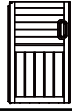


F-1 (X16)



Assembly steps

Step 7



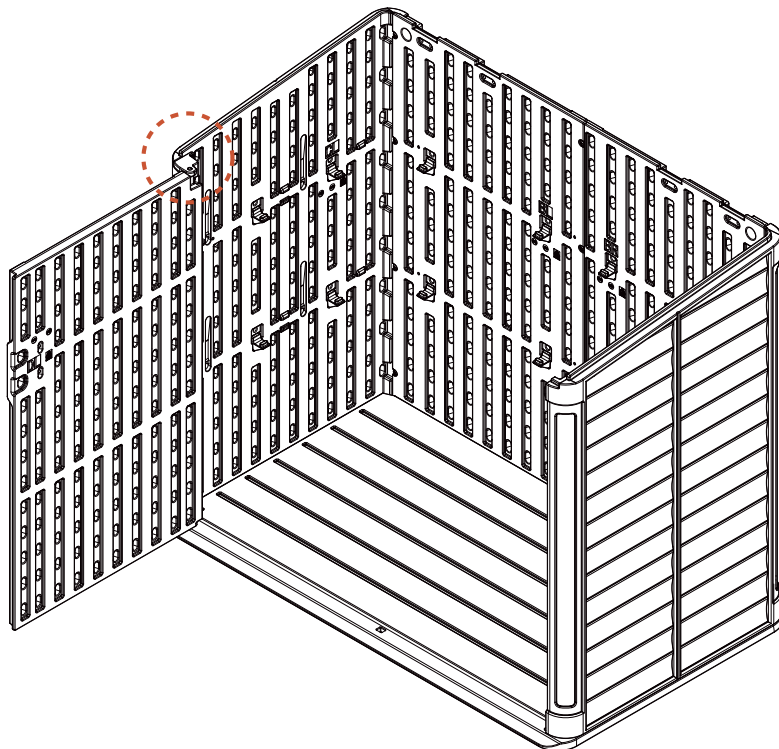
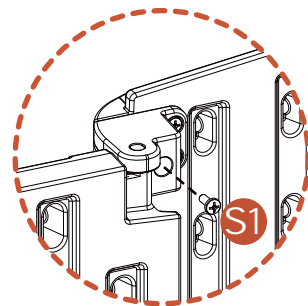
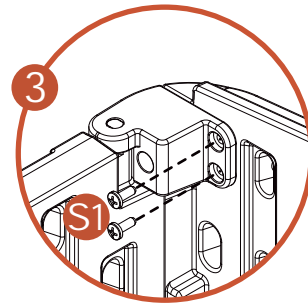
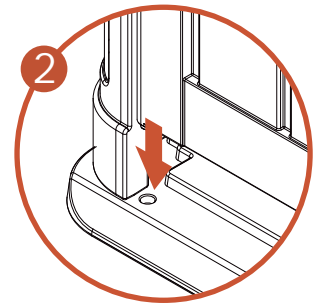
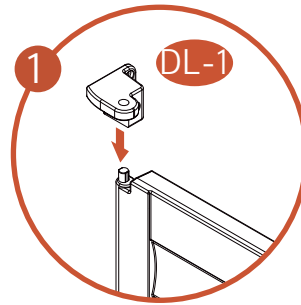
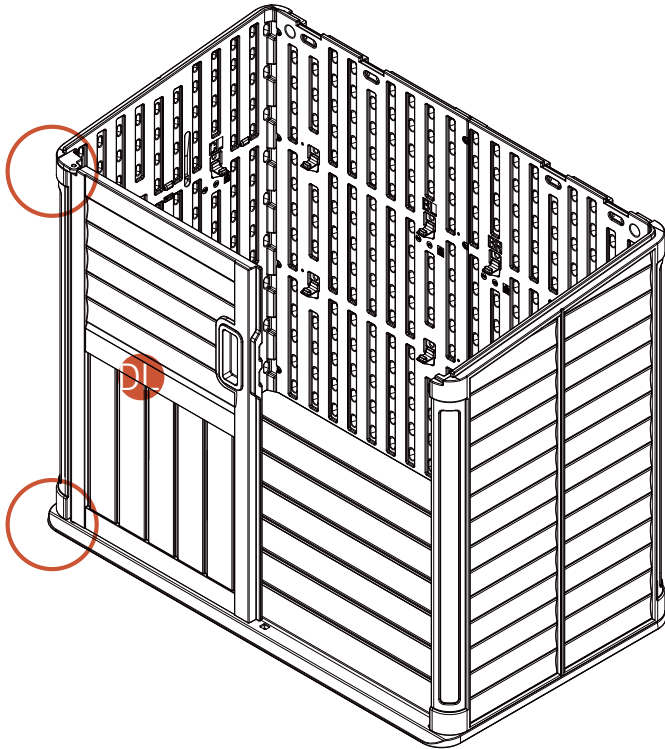
DL (X1)



DL-1 (X1)

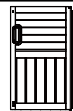


S1 (X3)



Assembly steps

Step 8



DR (X1)



DR-4 (X1)



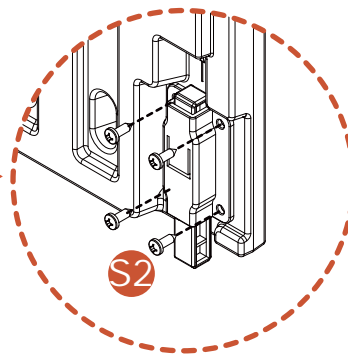
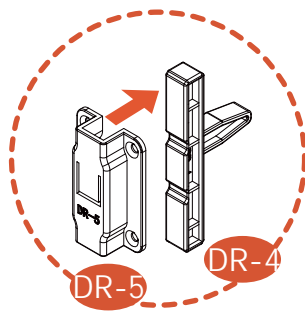
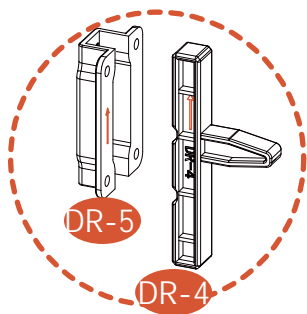
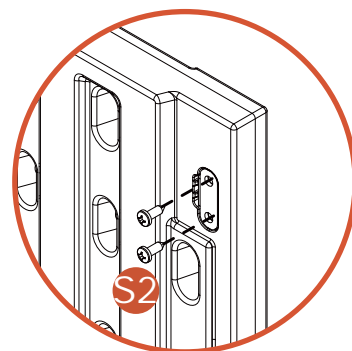
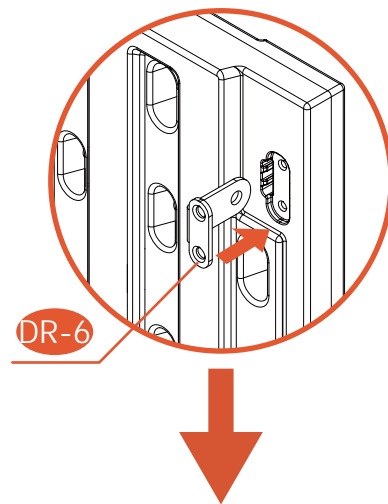
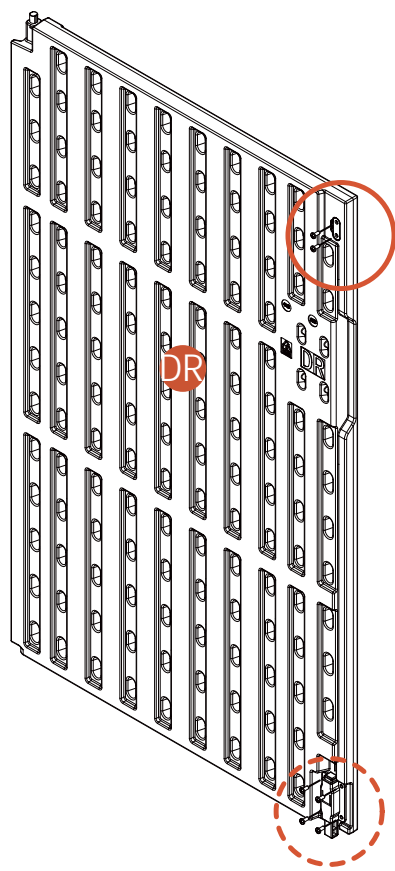
DR-5 (X1)



DR-6 (X1)



S2 (X6)



Please take note of the direction of the arrows.

Assembly steps

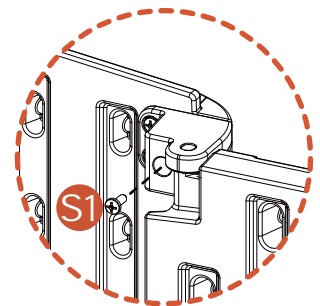
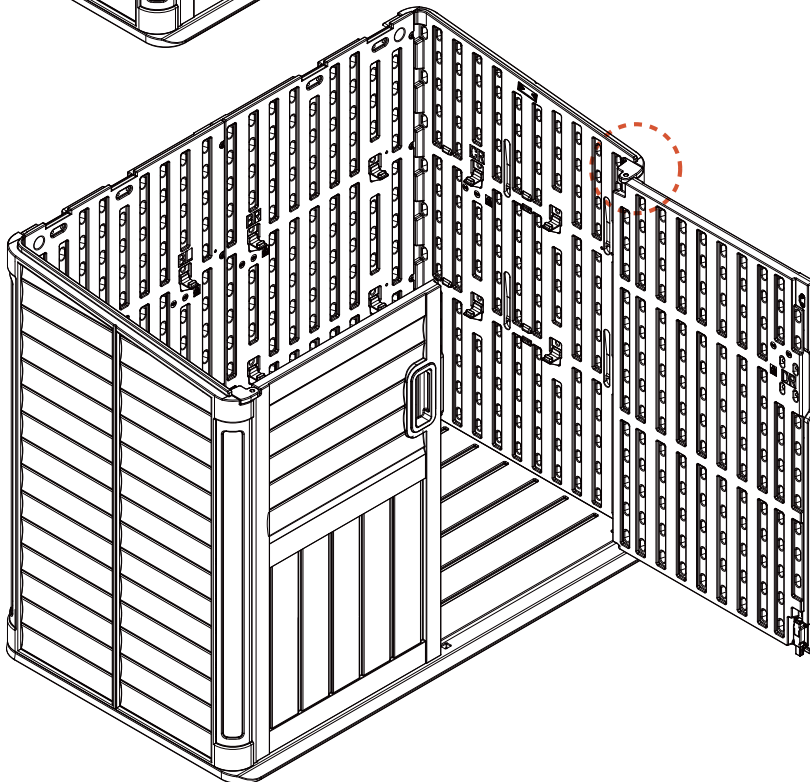
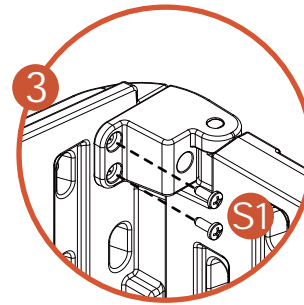
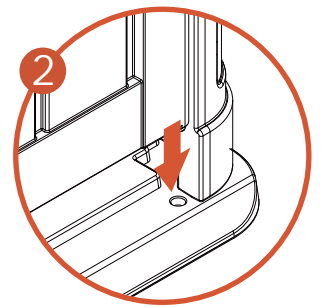
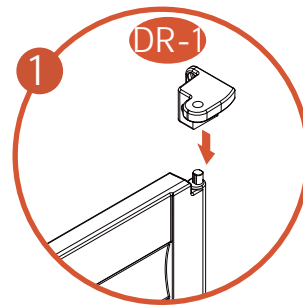
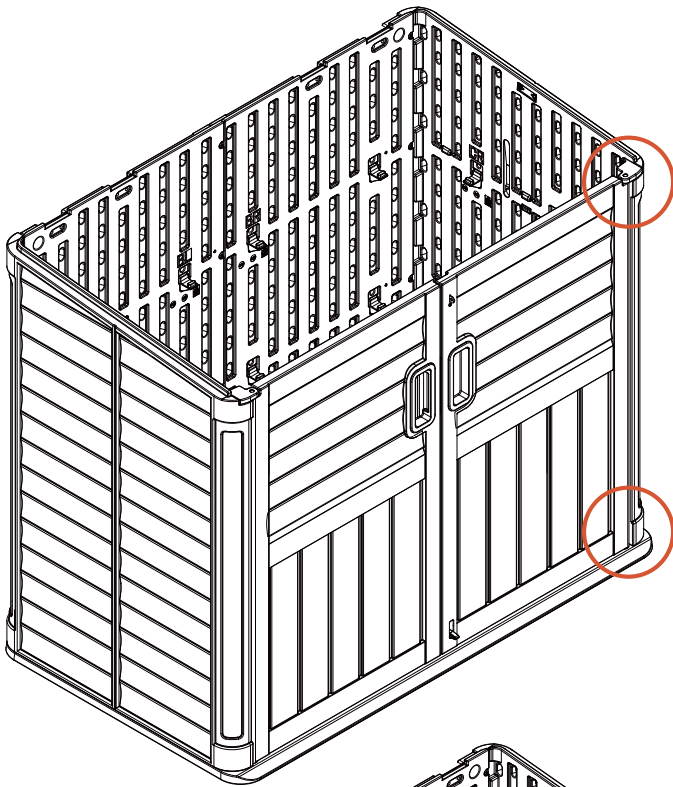
Step 9



DR-1 (X1)

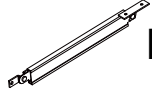


S1 (X3)



Assembly steps

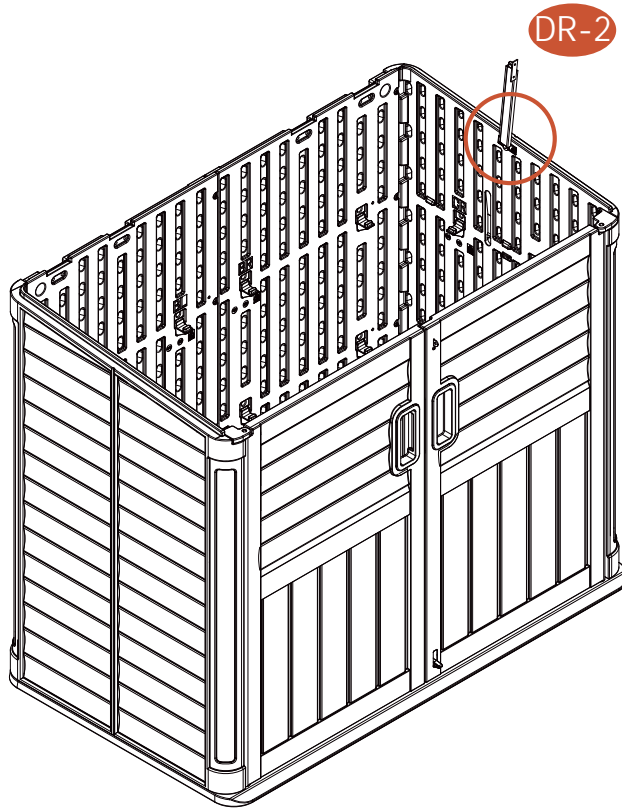
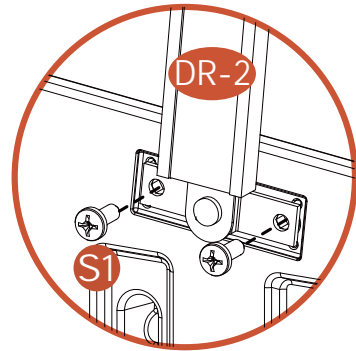
Step 10



DR-2 (X1)



S1 (X2)

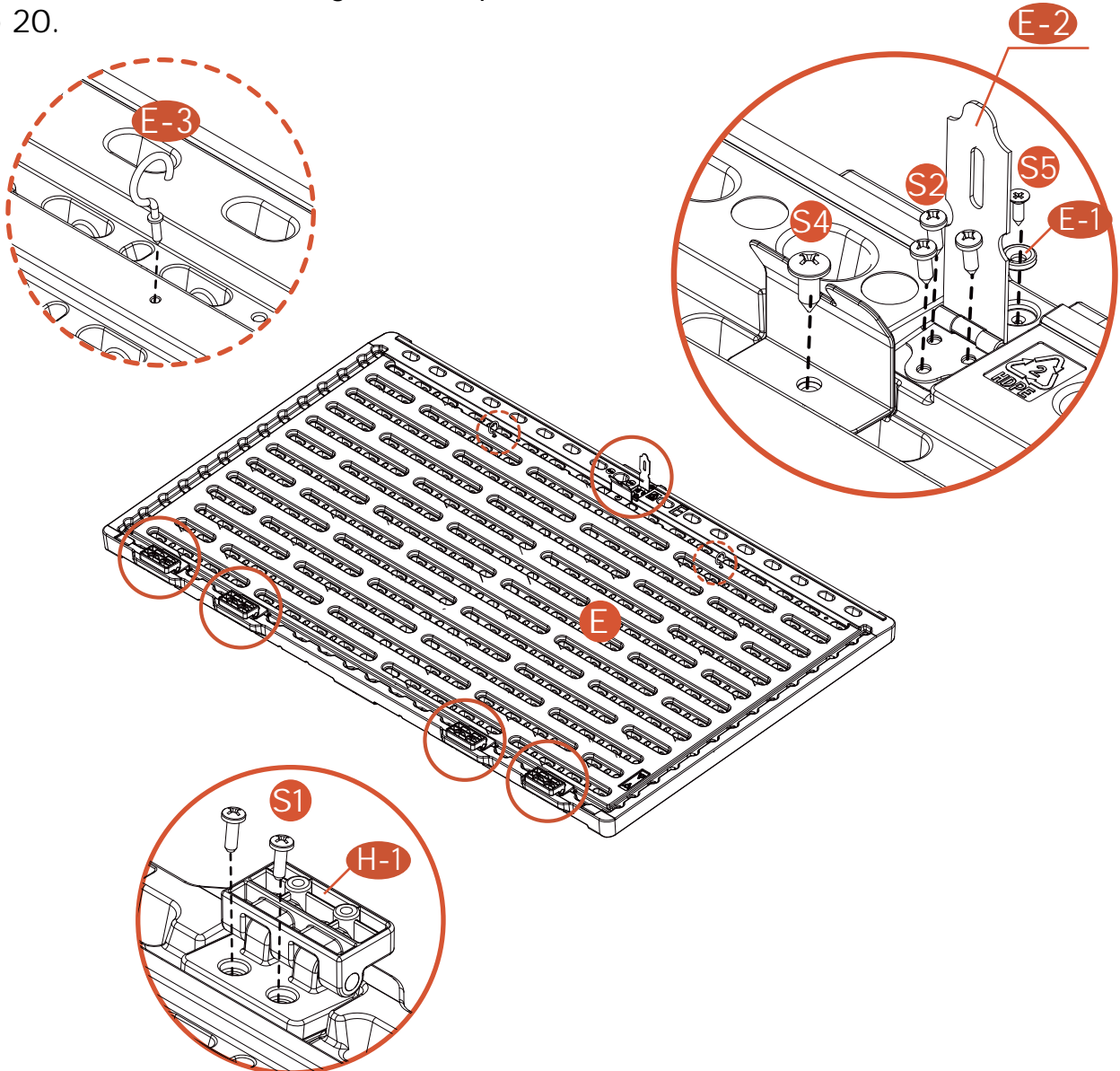


Assembly steps

Step 11


E (X1)	E-1 (X1)	E-2 (X1)	E-3 (X2)	E-6 (X1)
H-1 (X4)	S1 (X8)	S2 (X3)	S4 (X1)	S5 (X1)

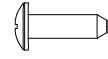
If you want to put a trash can in the storage shed, then you can install this E-3 part that will help you open the lid of the storage shed and the trash can together; if you don't intend to put a trash can, then ignore step E-3 and step 20.



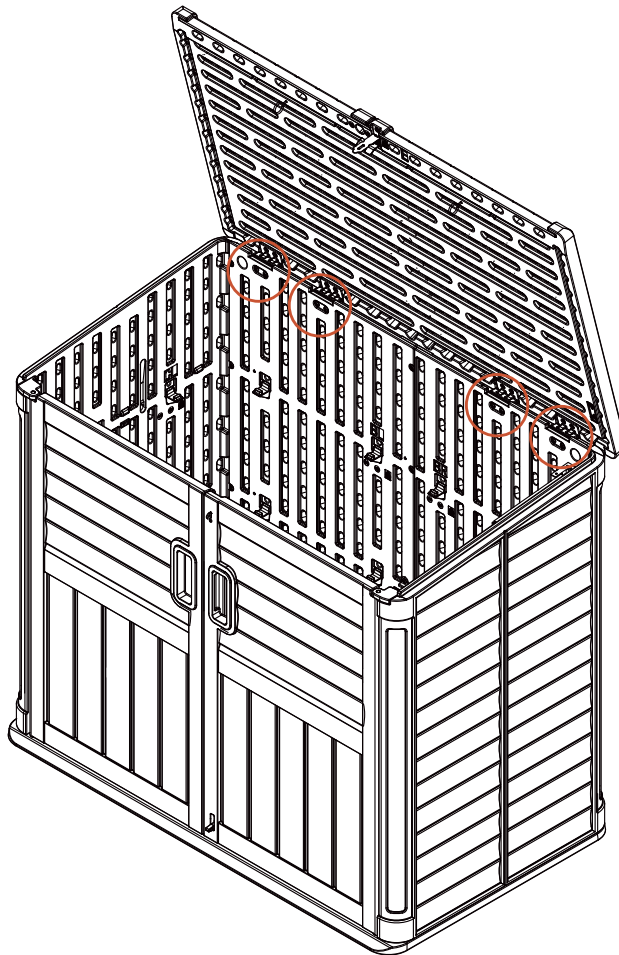
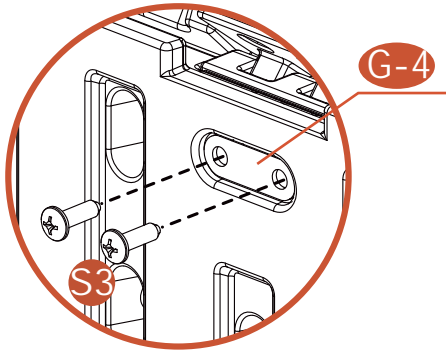
Assembly steps

Step 12

 G-4 (X4)



S3 (X8)



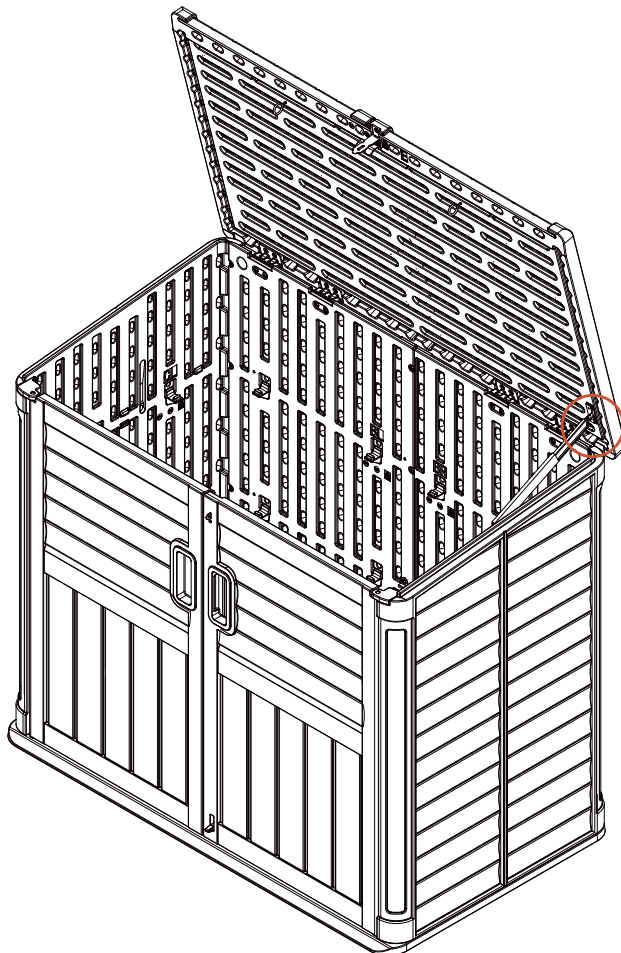
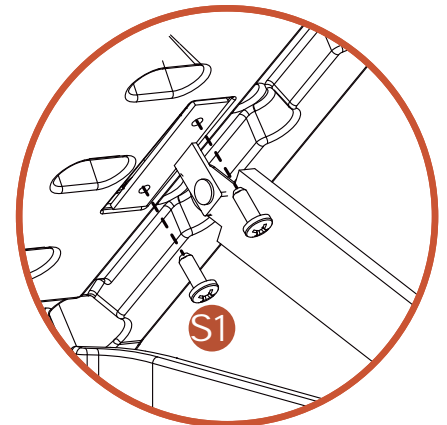
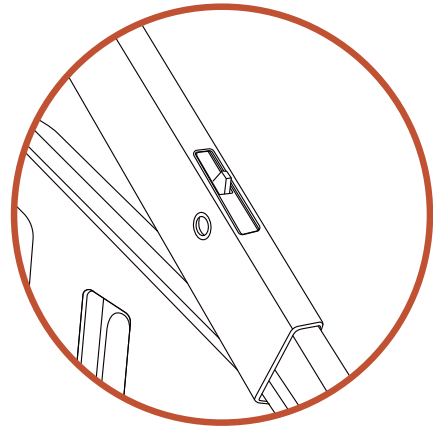
Assembly steps

Step 13



S1 (X2)

Lid switch notes: when you open the lid you need to pull the lid to the top of the slide bar, then release it, the lid will have a small rebound, so that it can be fixed; when you close the lid, you just need to pull the lid to the top of the slide bar again, do not release the direct downward pull, then you can close it.

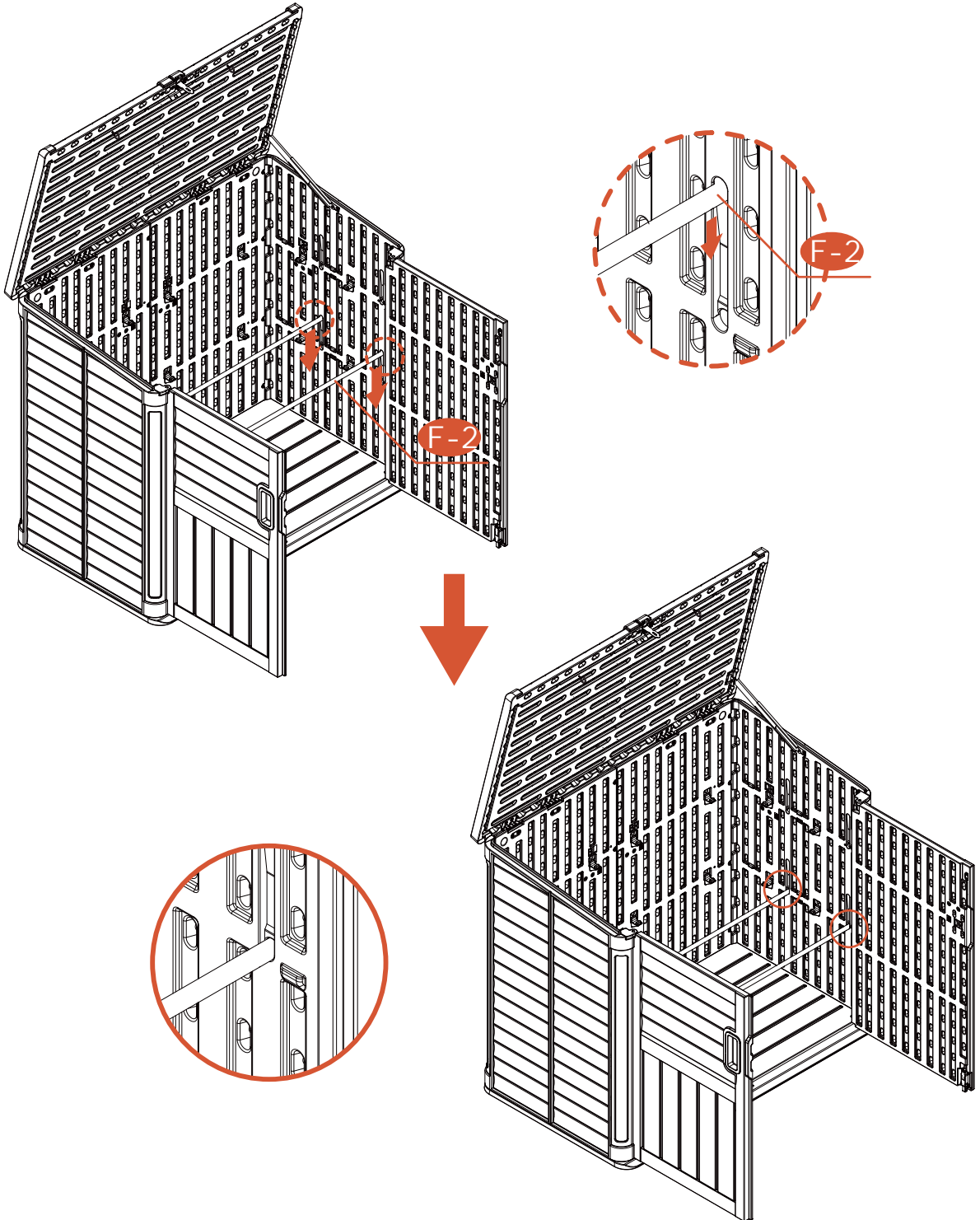


*If you do not need to install the shelves, please skip to STEP 20.

Assembly steps

Step 14

————— F-2 (X2)




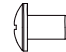
Assembly steps

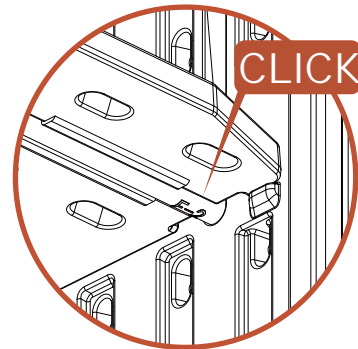
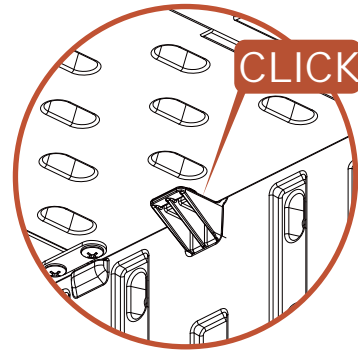
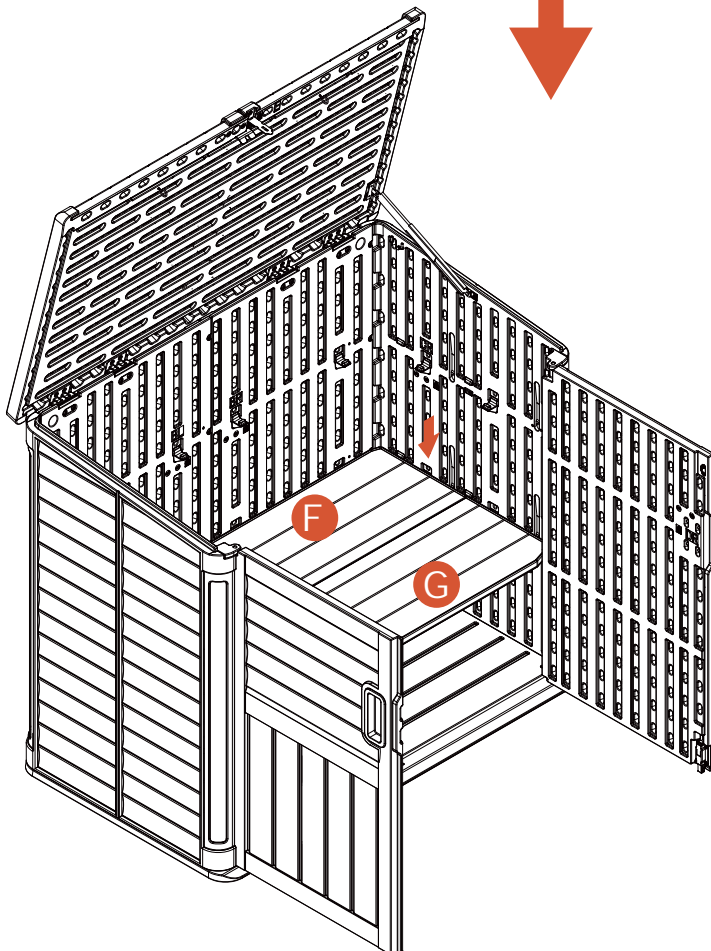
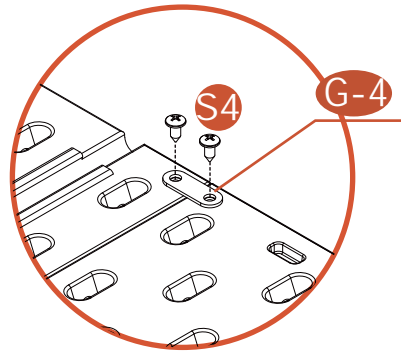
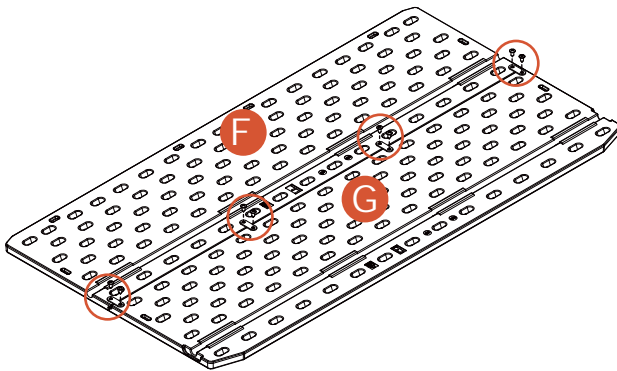
Step 15

 F (X1)

 G (X1)

 G-4 (X4)

 S4 (X8)



Assembly steps

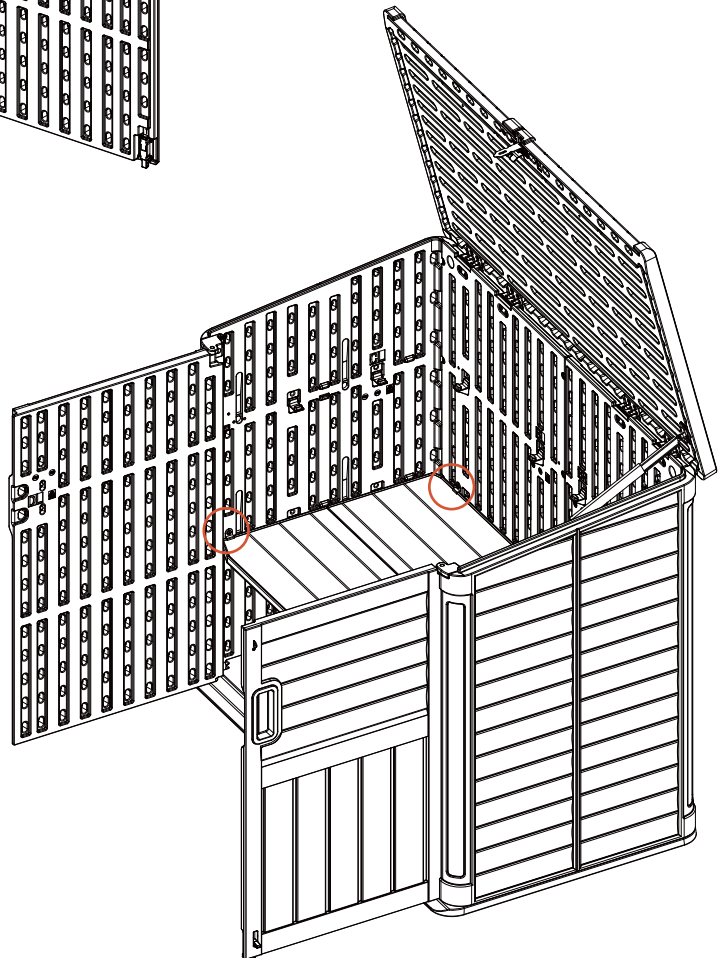
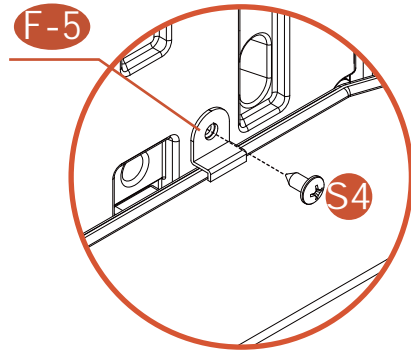
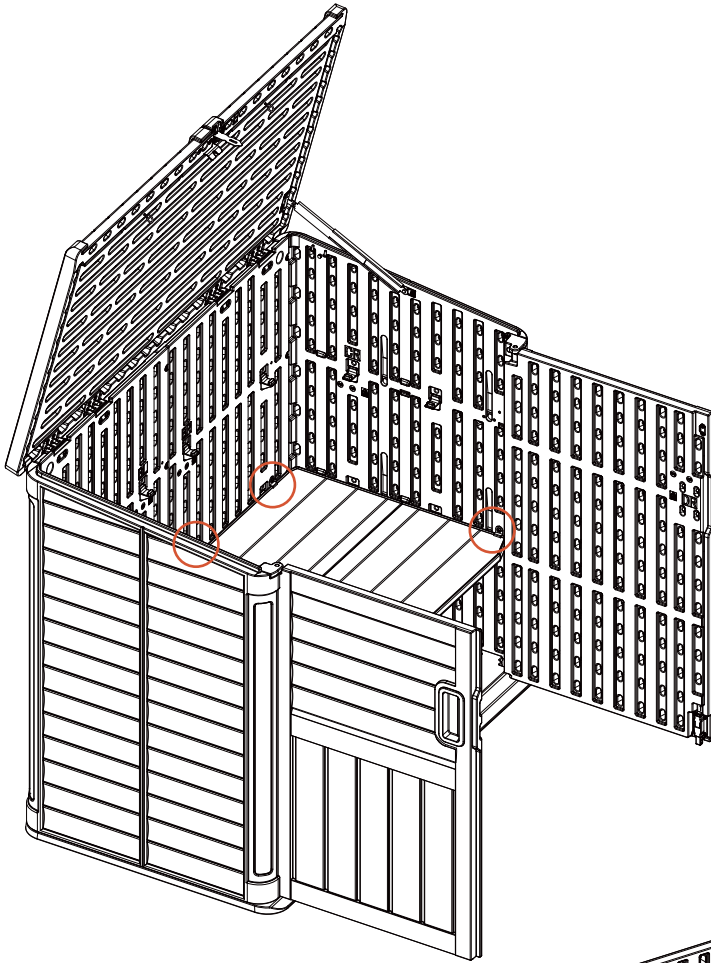
Step 16





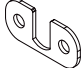
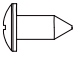
F-5 (X5)

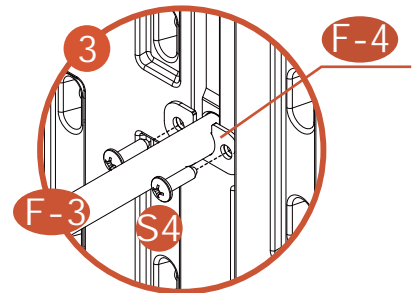
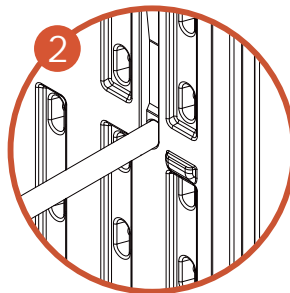
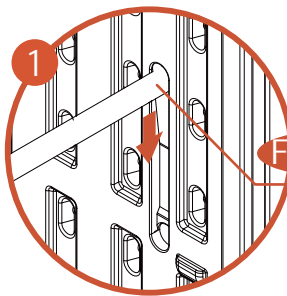
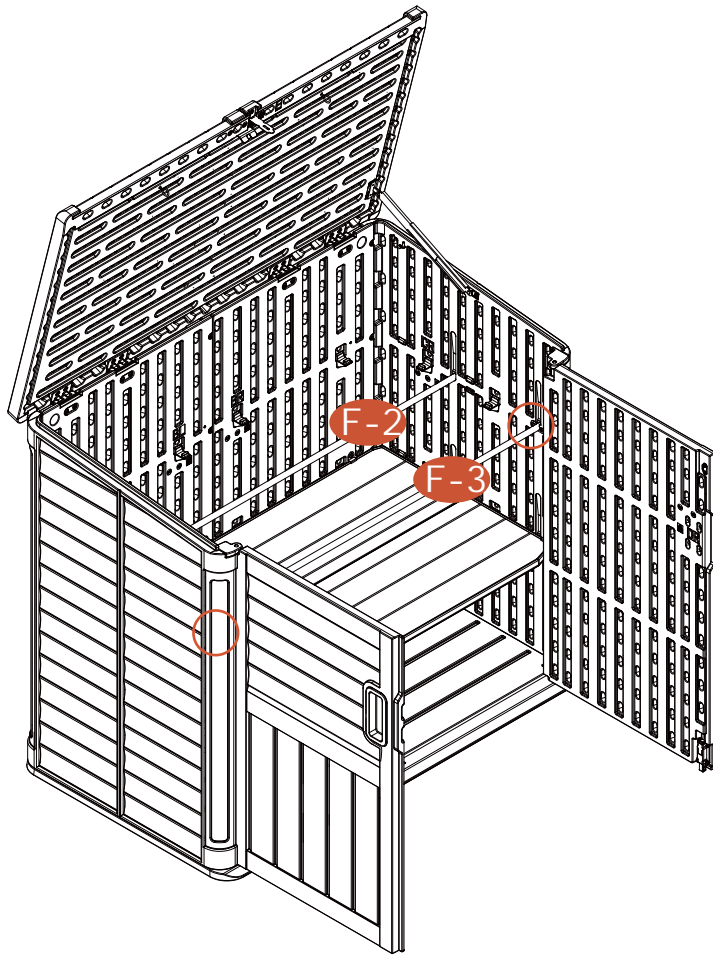


S4 (X5)



Assembly steps

Step 17	 F-2 (X1)	 F-3 (X1)
	 F-4 (X2)	 S4 (X4)





Assembly steps

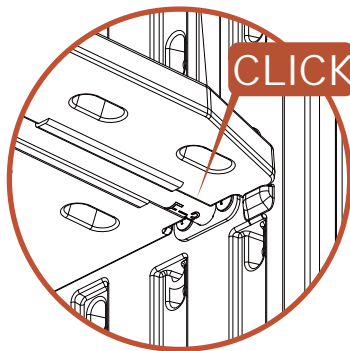
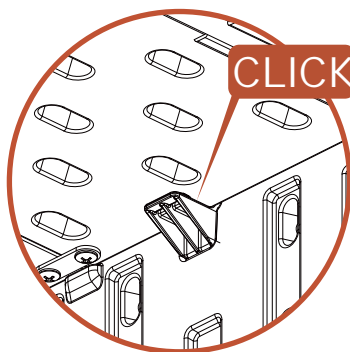
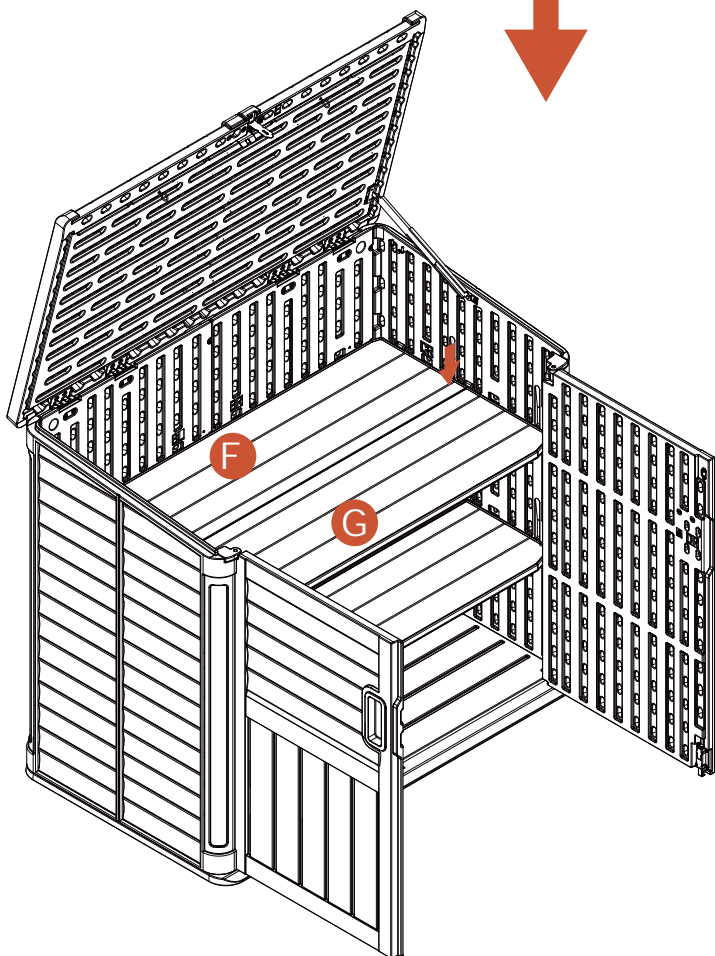
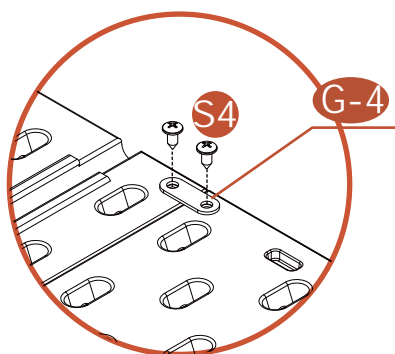
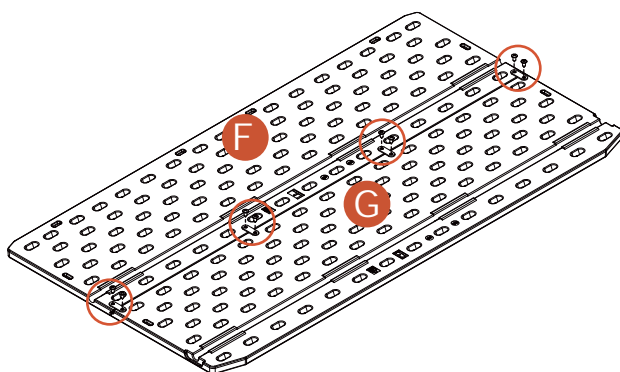
Step 18

 F (X1)

 G (X1)

 G-4 (X4)

 S4 (X8)



Assembly steps

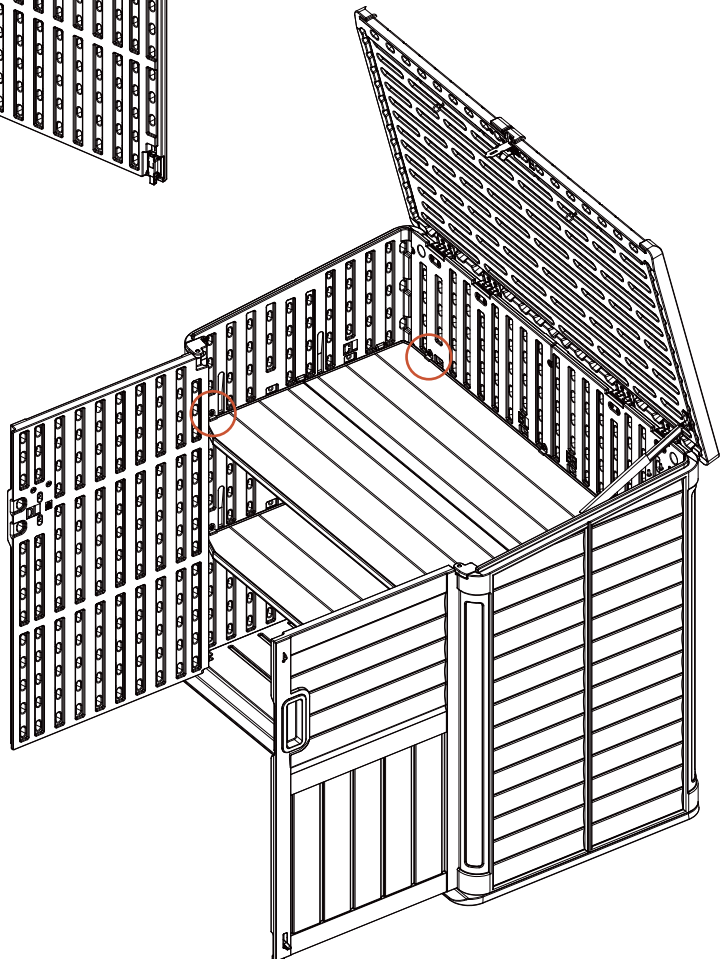
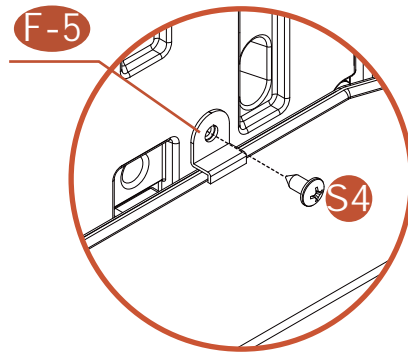
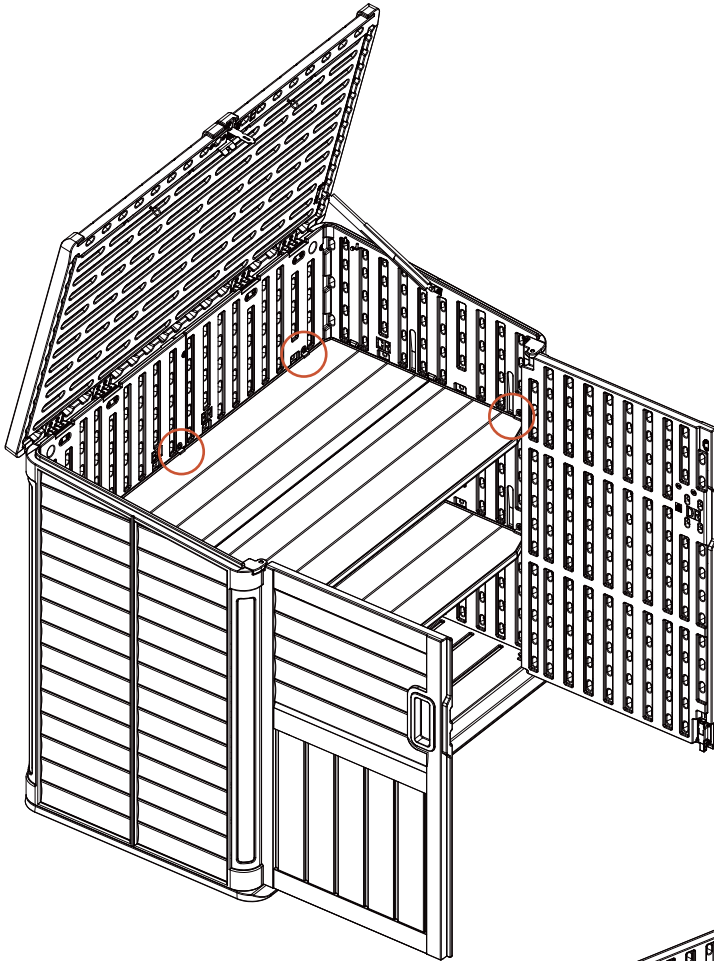
Step 19



F-5 (X5)



S4 (X5)



Assembly steps

Step 20



E-4 (X2)



E-5 (X2)

