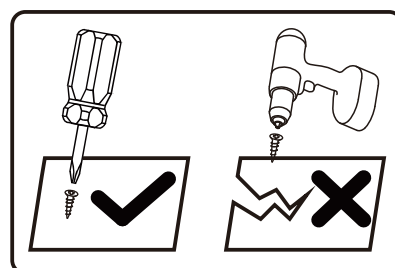
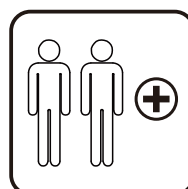
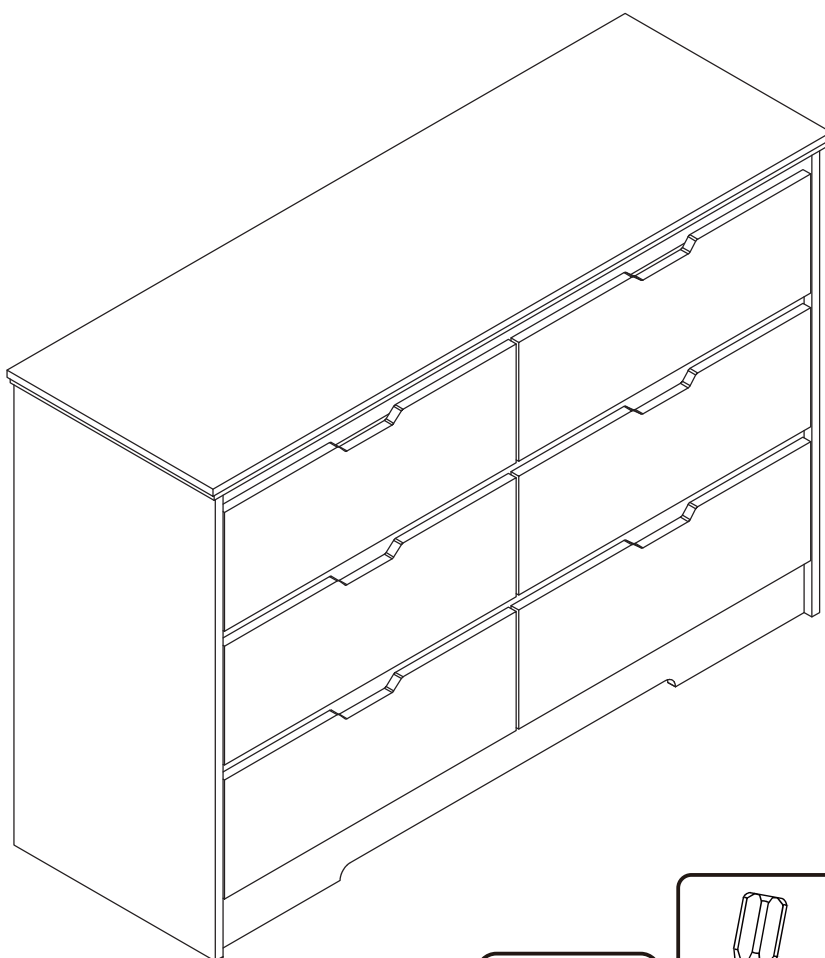


ASSEMBLY INSTRUCTIONS



Tools Recommended

THIS INSTRUCTIONS CONTAINS IMPORTANT SAFETY INFORMATION.
PLEASE READ BEFORE ASSEMBLY AND KEEP FOR FUTURE REFERENCE.

IMPORTANT NOTICE

-This product contains small components, please ensure that they are kept away from small children.

-THIS INSTRUCTIONS CONTAINS IMPORTANT SAFETY INFORMATION.
PLEASE READ BEFORE ASSEMBLY AND KEEP FOR FUTURE REFERENCE.

-Read each step carefully. It is very important that each step of instruction is performed in the correct order. If these steps are not followed in sequence, assembly difficulties will occur.

-Make sure all parts are included. Most parts are labelled or stamped on the raw edge.

-Work in spacious area, preferably on a carpet, near the place the unit will be used.

-Do not use power tools to assemble your furniture. Power tools may strip or damage the parts.

-Move your new furniture carefully, with two people lift and carry the unit to it's new location.

-Never push, drag or pull your furniture (especially on carpet)



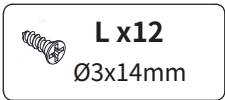
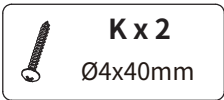
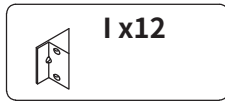
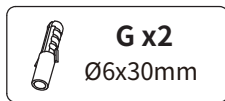
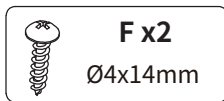
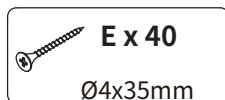
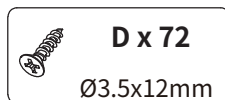
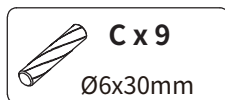
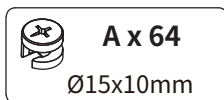
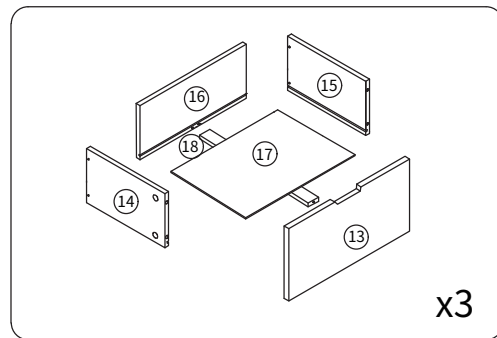
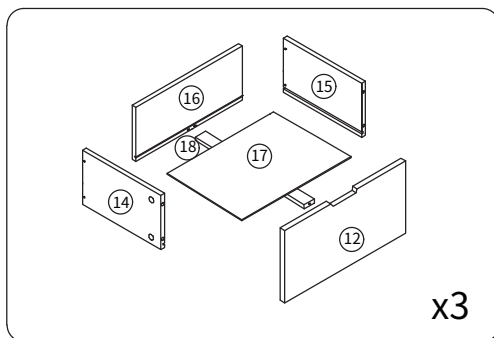
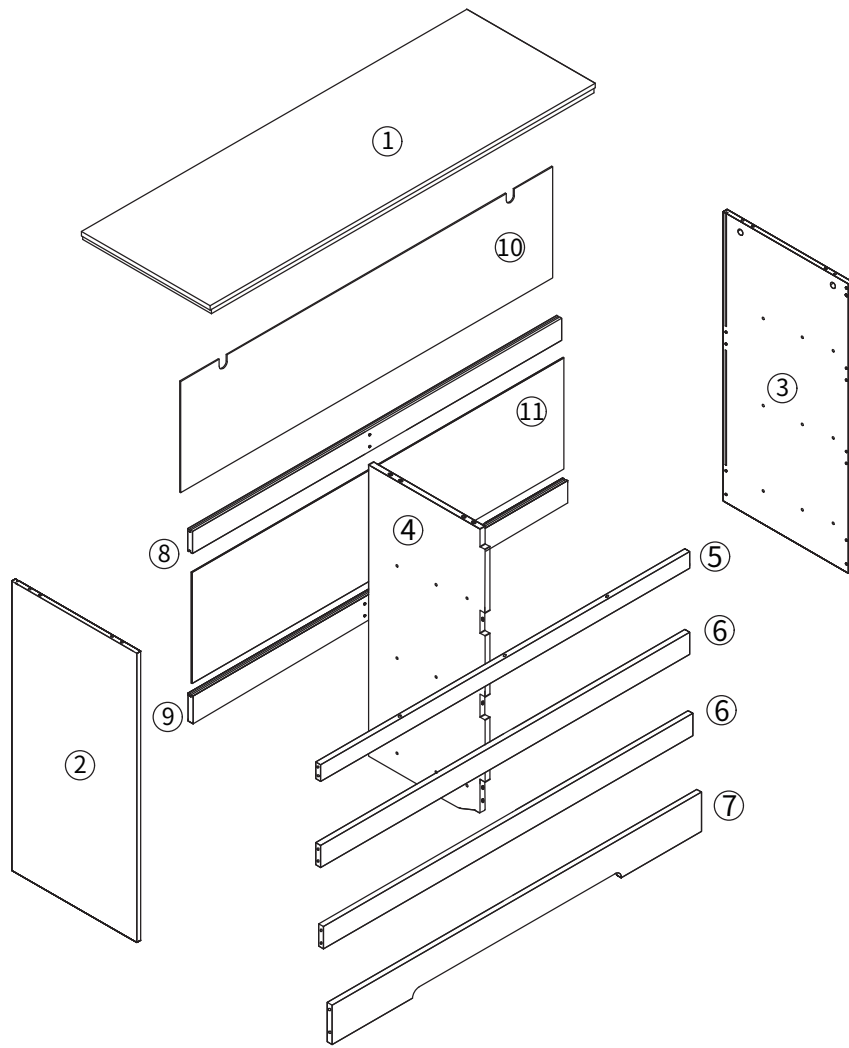
PLEASE DO NOT RETURN PRODUCT TO US IMMEDIATELY

If a part is missing or damaged, email our customer service.
We will gladly ship your replacement parts FREE of charge.

Need Parts or Assistance? Email us

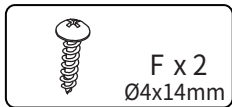
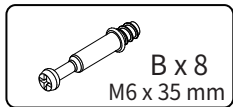
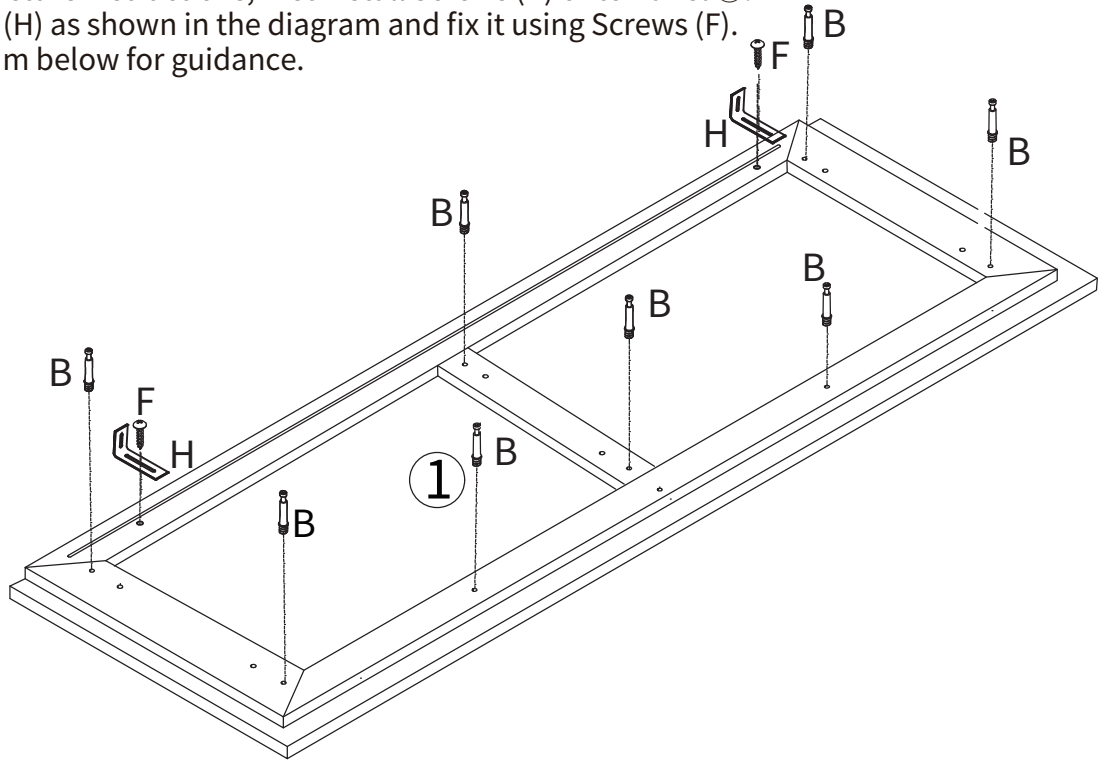
For Prompt, reliable service, please have your assemble instruction ready

 WARNING	
	Children have died from furniture tipover. To reduce the risk of furniture tipover: <ul style="list-style-type: none">• ALWAYS install anti-tip device provided.• NEVER put a TV on this product.• NEVER allow children to stand, climb or hang on any drawers, doors, or shelves.• NEVER open more than one drawer at a time.• Place heaviest items in the lowest drawers.
	<p>This is a permanent label. Do not remove!</p>



Step 1

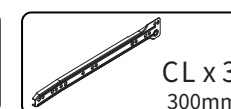
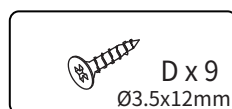
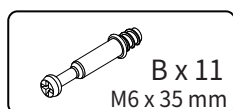
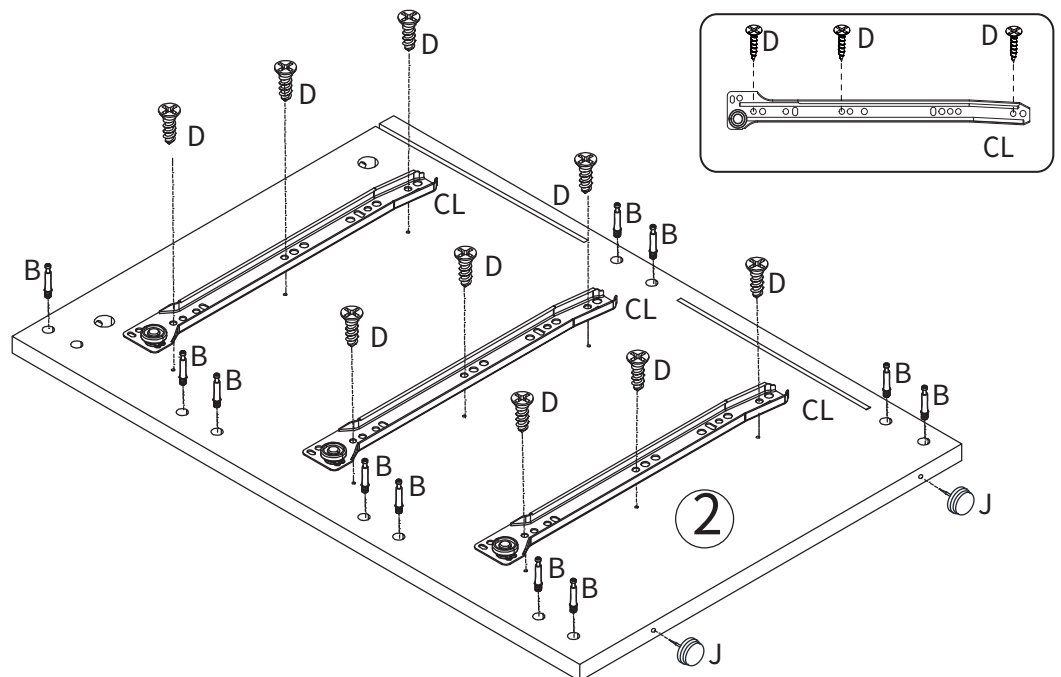
According to the picture instructions, first install Screws (B) onto Panel ①. Then arrange Part (H) as shown in the diagram and fix it using Screws (F). Refer to the diagram below for guidance.



Step 2

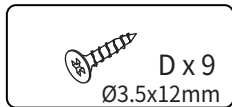
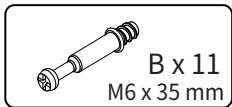
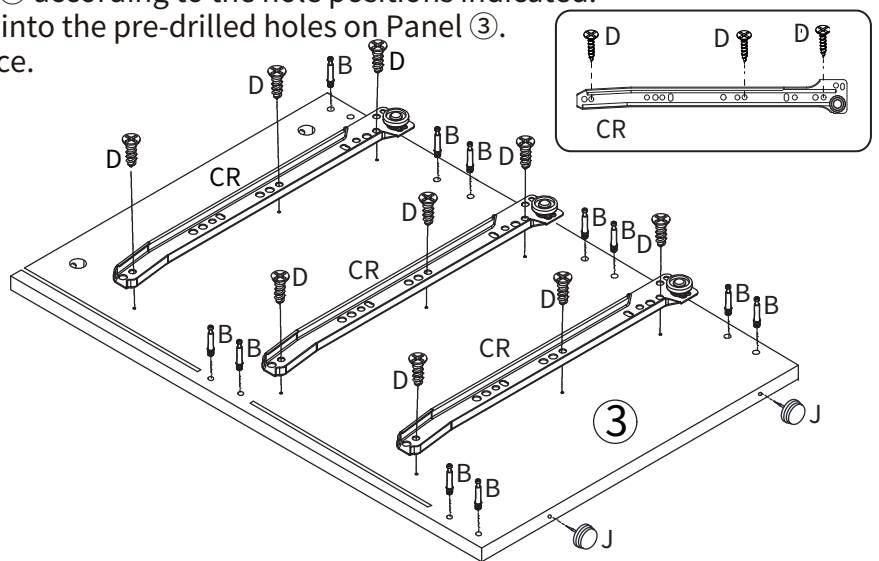
First, place slide rail (CL) on Panel ② as shown in the diagram. Use Screws (D) to install (CL) to Panel ② according to the hole positions indicated.

Next, install Screws (B) and Screws (J) into the pre-drilled holes on Panel ②. Refer to the diagram below for guidance.



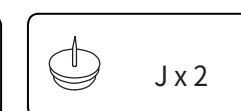
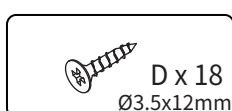
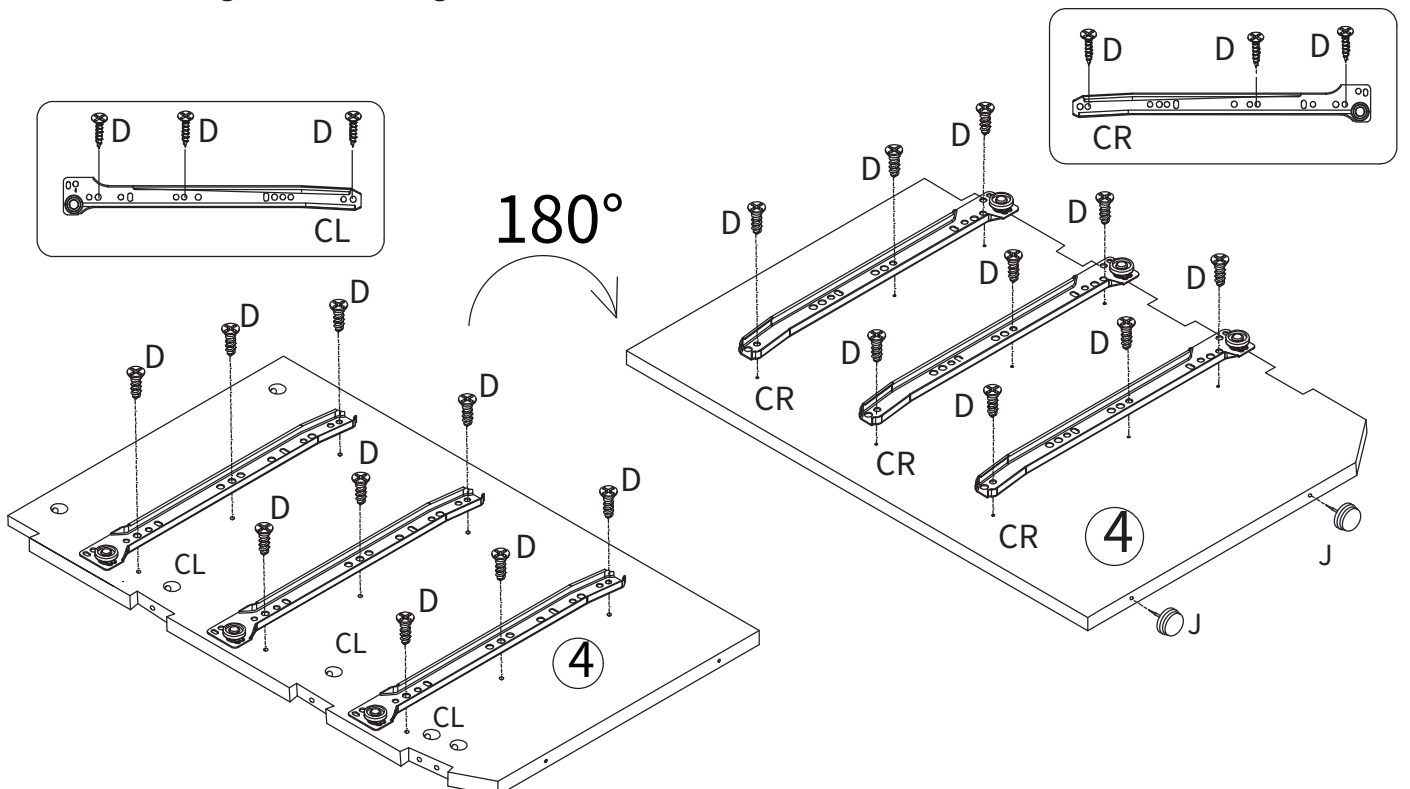
Step 3

First, place slide rail (CR) on Panel ③ as shown in the diagram. Use screws (D) to secure (CR) to Panel ③ according to the hole positions indicated. Next, install Screws (B) and Screws (J) into the pre-drilled holes on Panel ③. Refer to the diagram below for guidance.



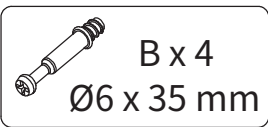
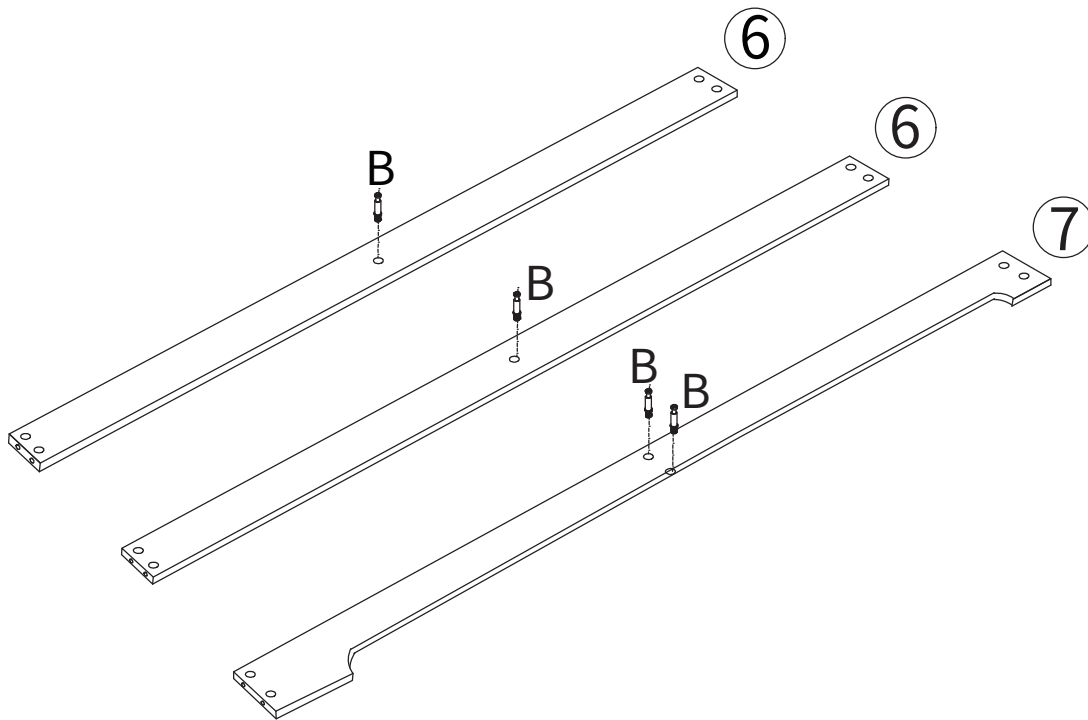
Step 4

First, place slide rail (CL) on Panel ④ as shown in the diagram. Use Screws (D) to install (CL) to Panel ④ according to the hole positions indicated. Next, flip Panel ④ 180 degrees. Place slide rail (CR) on Panel ④ as shown in the diagram. Use Screws (D) to install (CR) to Panel ④ according to the hole positions indicated. Finally, install Screws (J) on Panel ④ as per the instructions provided. Refer to the diagram below for guidance.



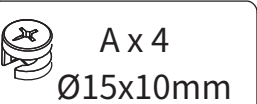
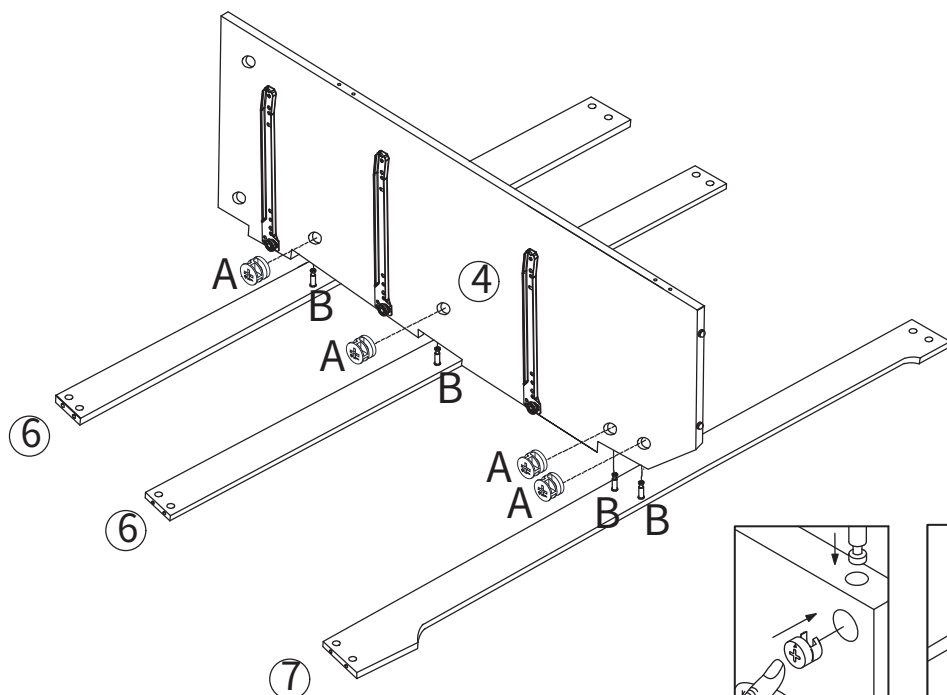
Step 5

Install Screws (B) onto Panel ⑥ and ⑦.
Refer to the diagram below for guidance.



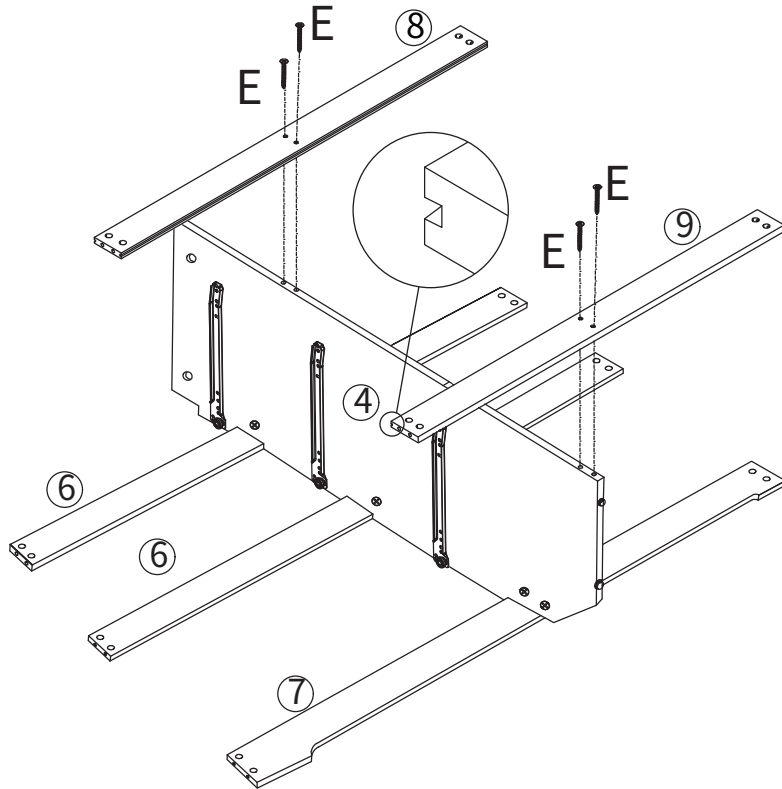
Step 6


First, align Screws (B) on Panels ⑥ and ⑦ with the pre-drilled holes on the side of Panel ④.
Once aligned, connect them together.
Once successfully connected, place Screws (A) into the designated holes. Use a screwdriver to tighten them clockwise until securely fastened.
Refer to the diagram below for guidance.



Step 7

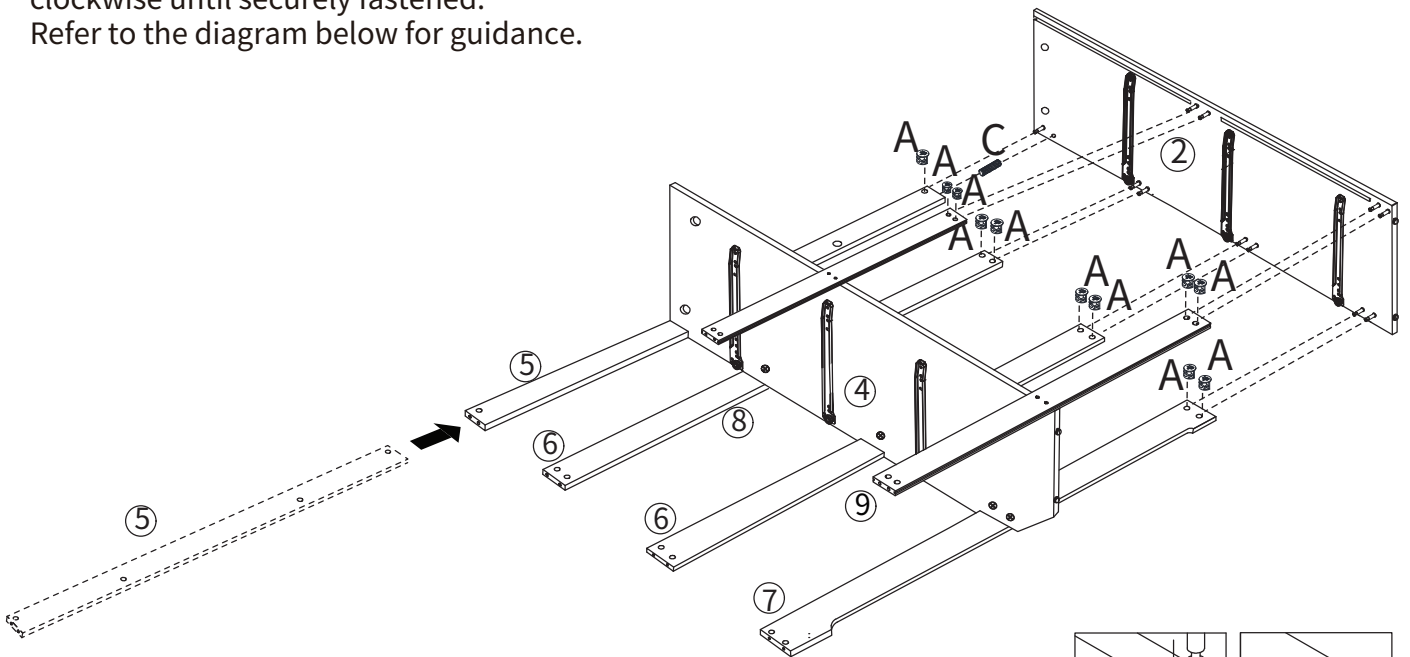
Connect Panel ⑧ and Panel ⑨ to Panel ④ using Screws (E).
Refer to the diagram below for guidance.





 E x 4
Ø4x35mm

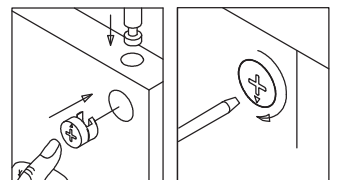
Step 8

First, insert wooden dowel (C) into Panel ②.
Then, connect Panel ② with Panel ⑤, ⑥, ⑦, ⑧, and ⑨.
Once connected, place Screws (A) into the designated holes. Use a screwdriver to tighten them clockwise until securely fastened.
Refer to the diagram below for guidance.



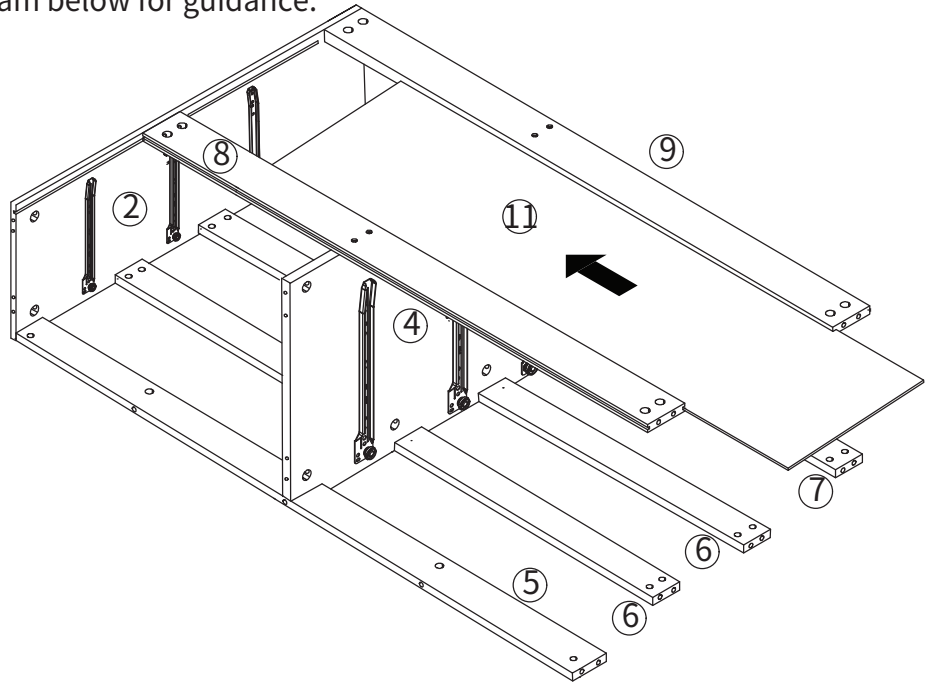
 A x 11
Ø15x10mm

 C x 1
Ø6x30mm



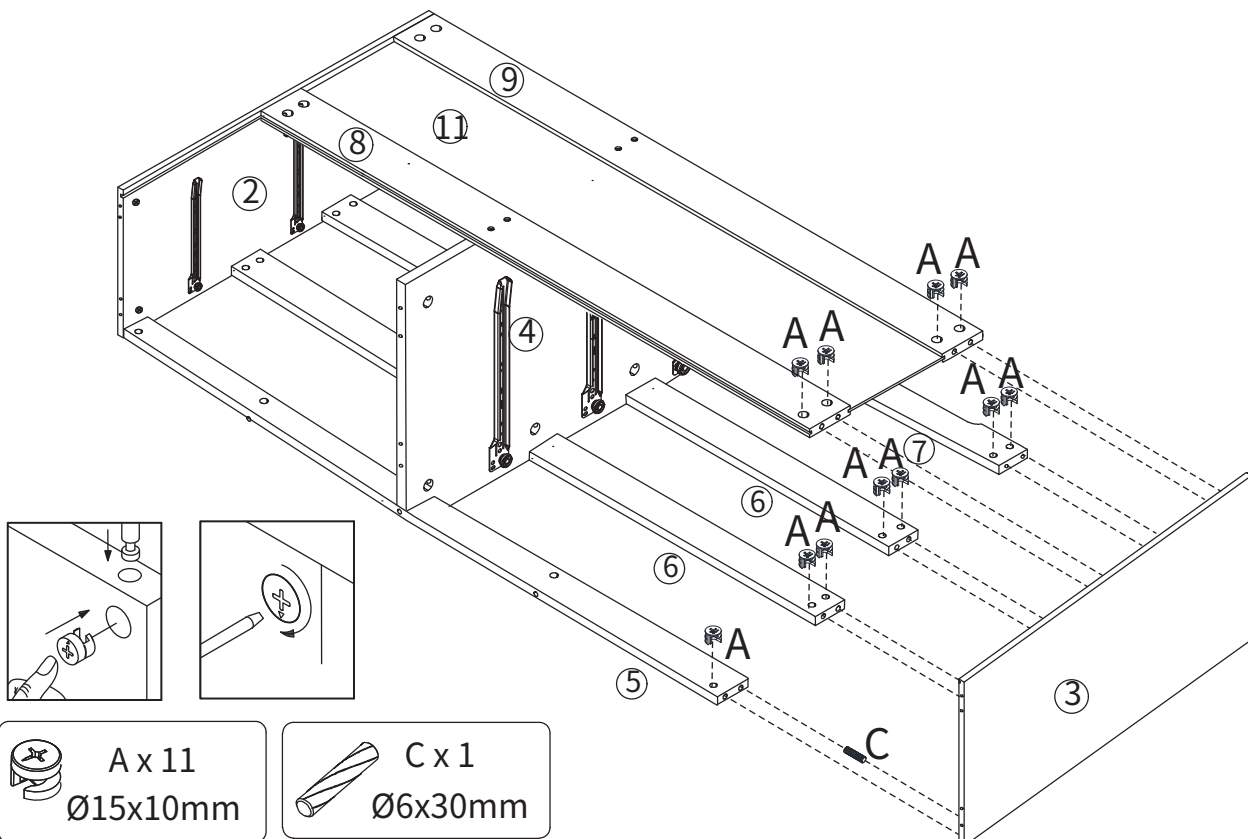
Step 9

Slide Panel ⑩ into the slots between Panel ⑧ and ⑨.
Refer to the installation diagram below for guidance.



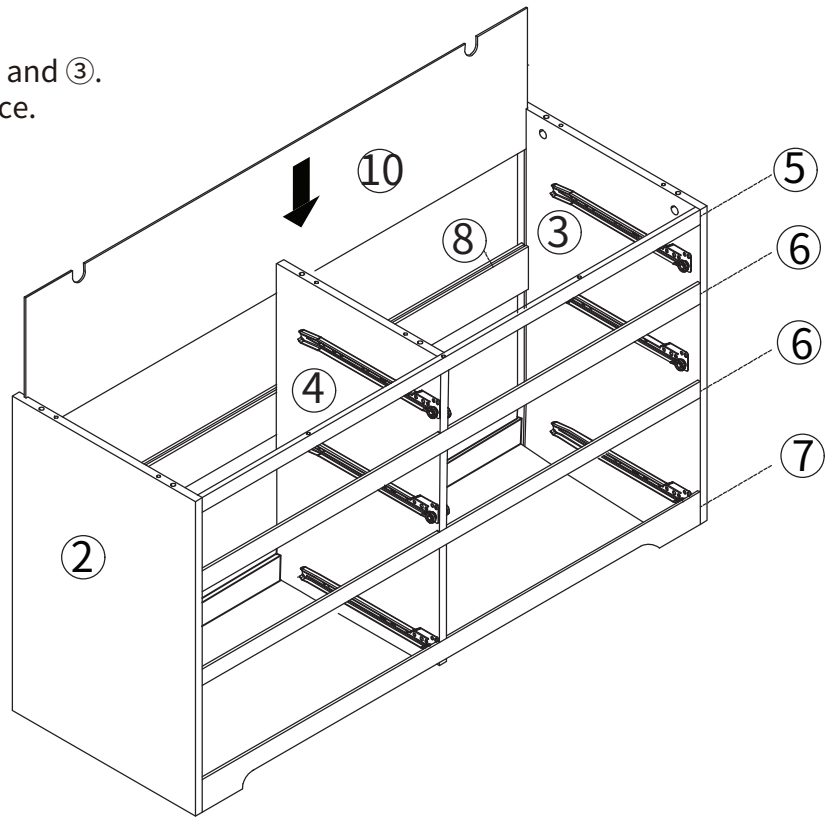
Step 10

First, insert wooden dowel (C) into Panel ③.
Then, connect Panel ③ with Panel ⑤, ⑥, ⑦, ⑧, and ⑨.
Once connected, place Screws (A) into the designated holes. Use a screwdriver to tighten them clockwise until securely fastened.
Refer to the diagram below for guidance.



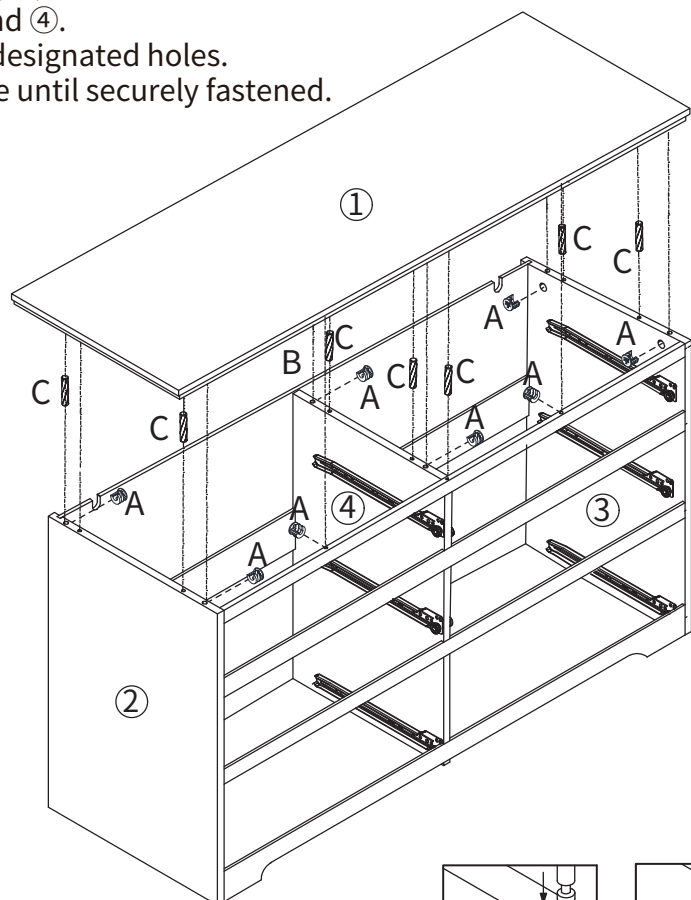
Step 11

Slide Panel ⑩ into the slots of Panel ② and ③.
Refer to the diagram below for guidance.



Step 12

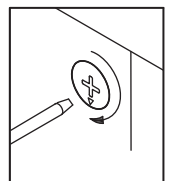
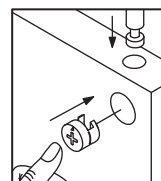
First, insert wooden dowel (C) into Panel ②, ③, ④.
Then, connect Panel ① with Panel ②, ③, and ④.
Once connected, place Screws (A) into the designated holes.
Use a screwdriver to tighten them clockwise until securely fastened.
Refer to the diagram below for guidance.



A x 8
Ø15x10mm

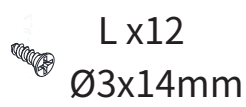
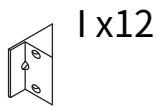
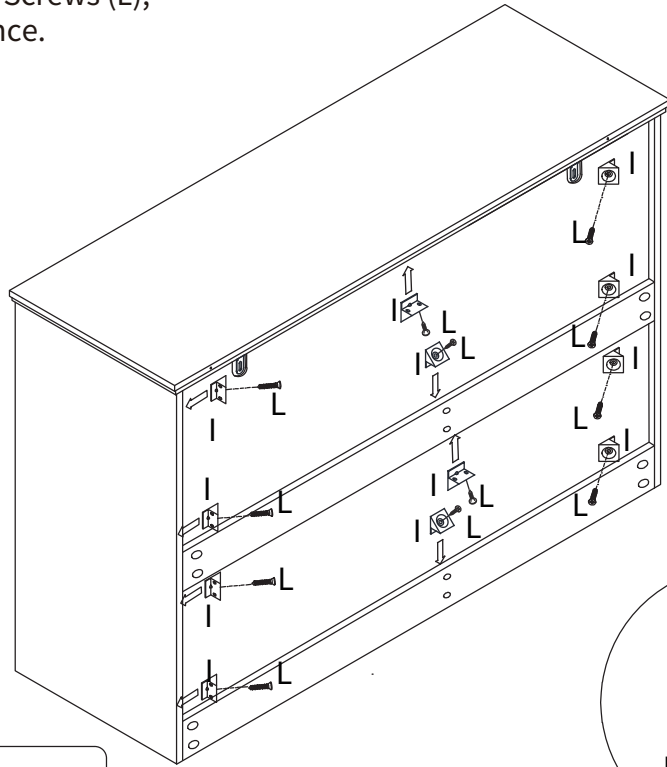


C x 7
Ø6x30mm



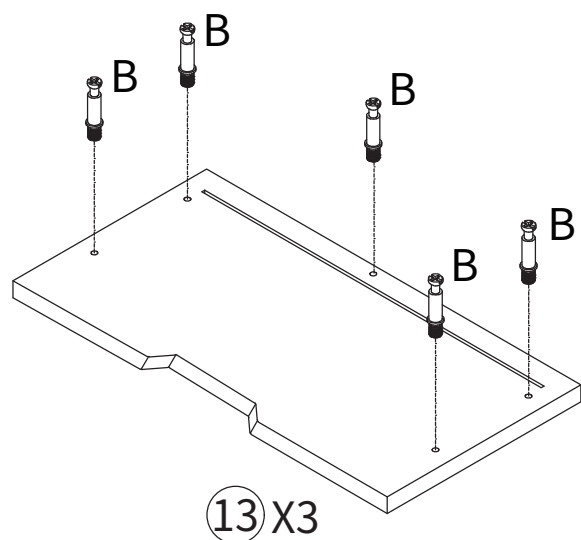
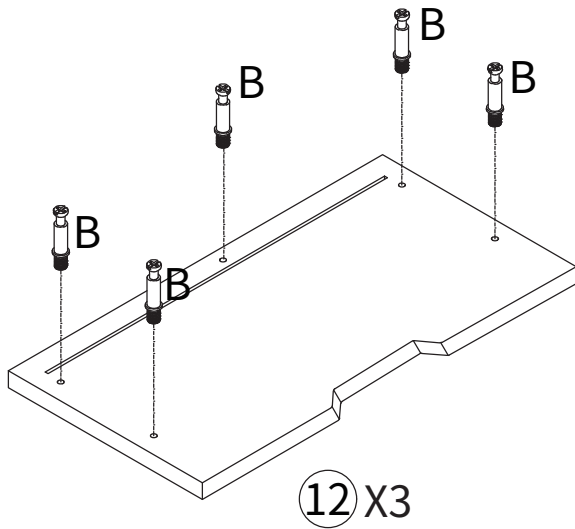
Step 13

Install Part (I) to the back Panel using Screws (L),
Refer to the diagram below for guidance.



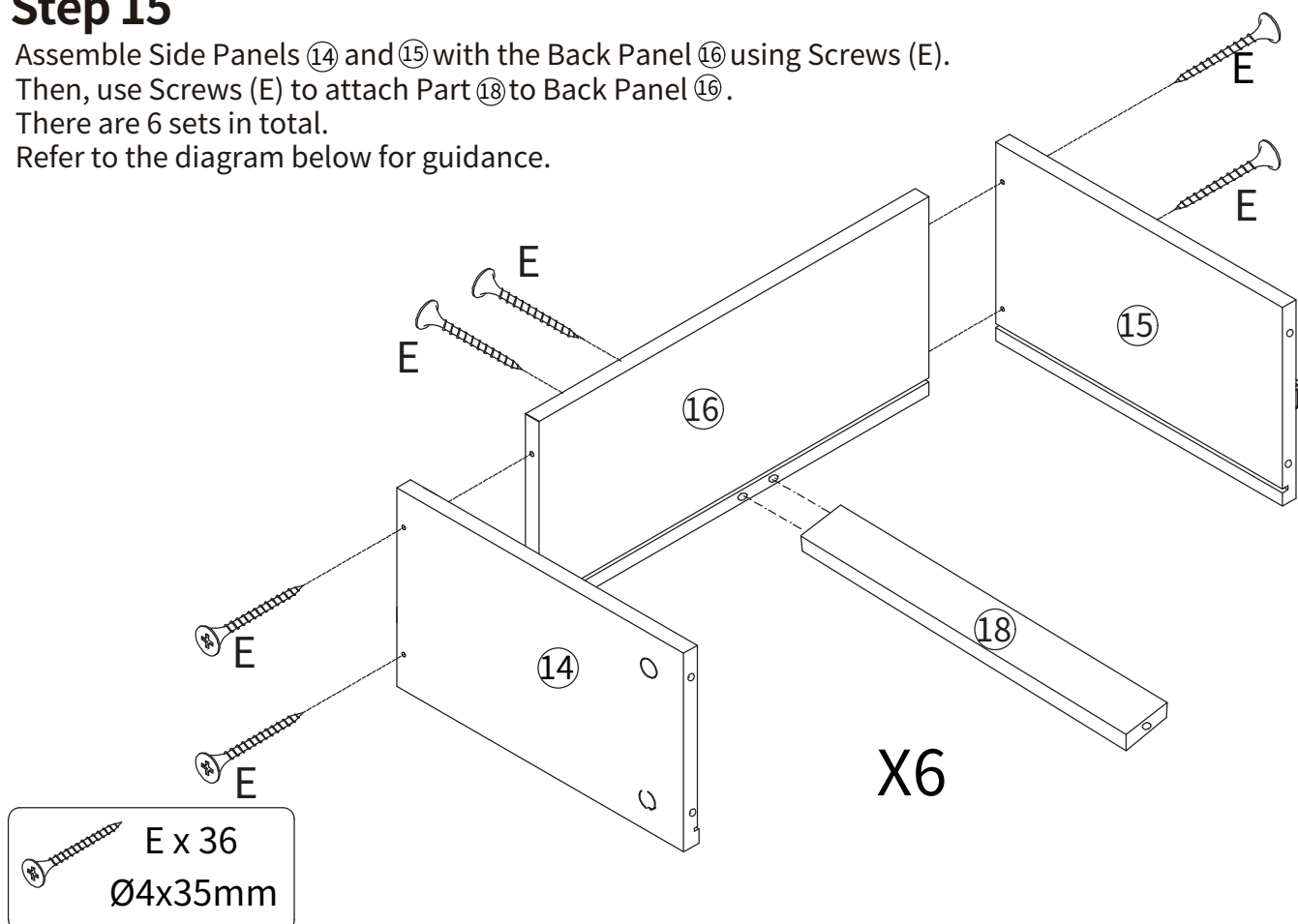
Step 14

Install Screws (B) into the designated holes on Panel ⑬ and ⑫.
A total of three sets of each installation.
Refer to the diagram below for guidance.



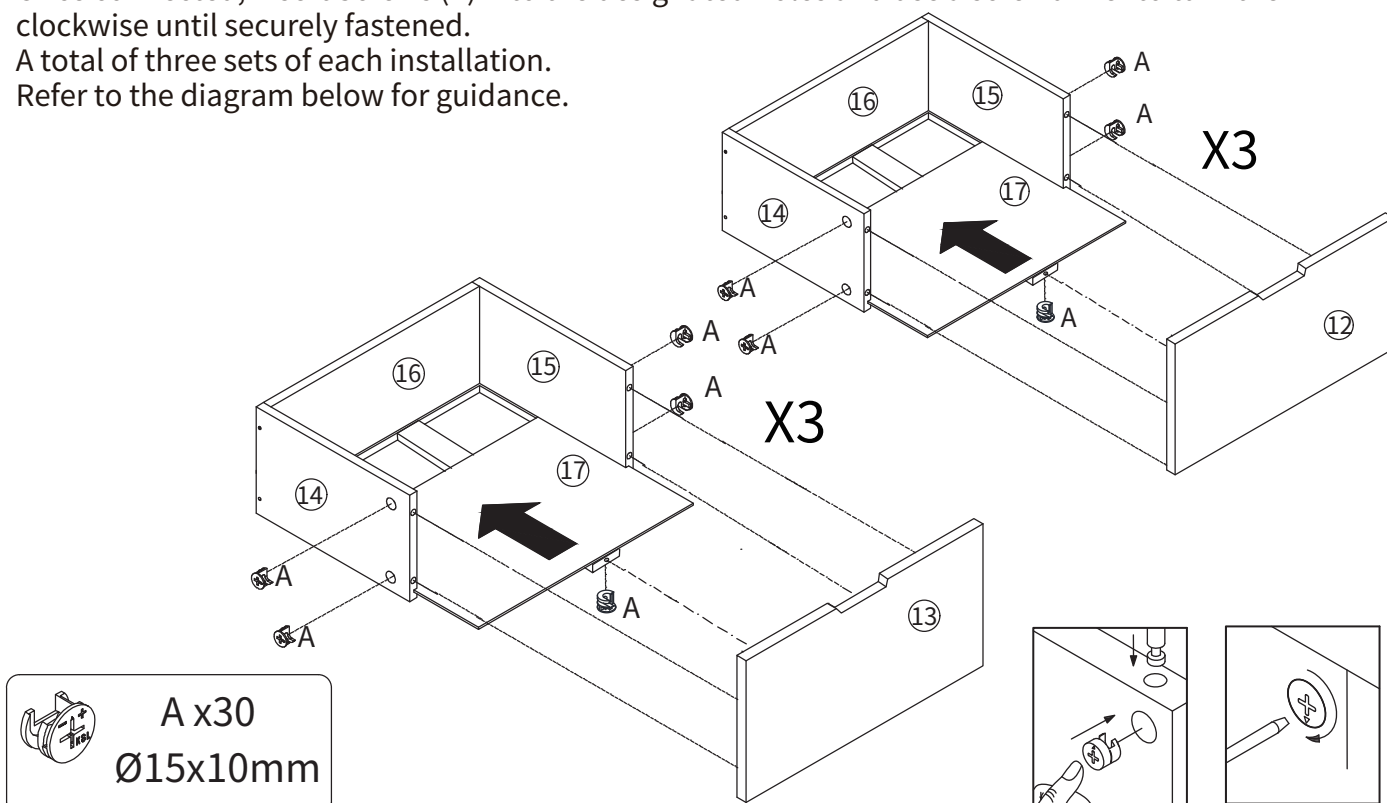
Step 15

Assemble Side Panels ⑭ and ⑮ with the Back Panel ⑯ using Screws (E).
Then, use Screws (E) to attach Part ⑰ to Back Panel ⑯.
There are 6 sets in total.
Refer to the diagram below for guidance.



Step 16

First, slide Panel ⑰ into the slots between Panel ⑭ and ⑮.
Next, Assemble drawer front Panel ⑫ and ⑬ with drawer side Panel ⑭ and ⑮.
Once connected, insert Screws (A) into the designated holes and use a screwdriver to turn them clockwise until securely fastened.
A total of three sets of each installation.
Refer to the diagram below for guidance.

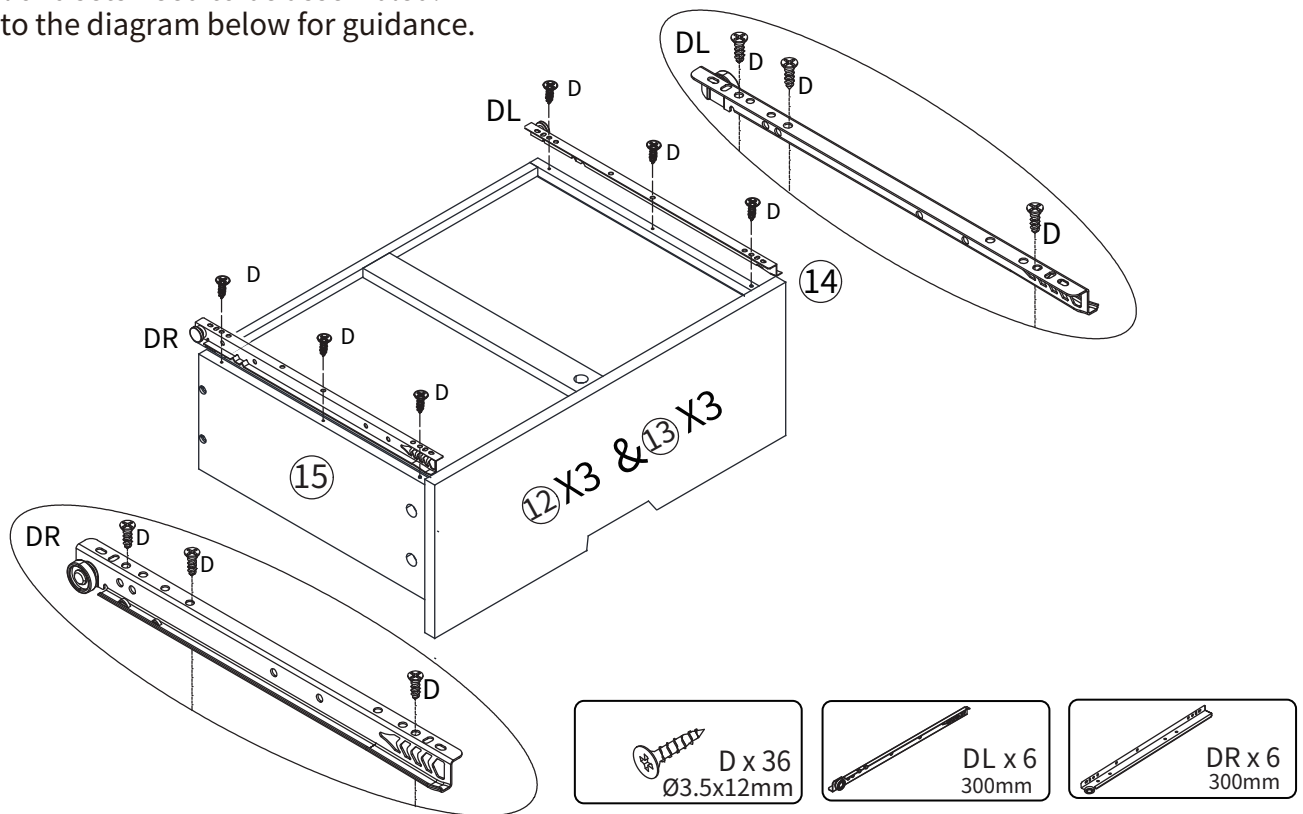


Step 17

Install slide rail (DR) on Panel 15 using Screws (D). Similarly, install slide rail (DL) on Panel 14 using Screws (D).

A total of 6 sets need to be assembled.

Refer to the diagram below for guidance.

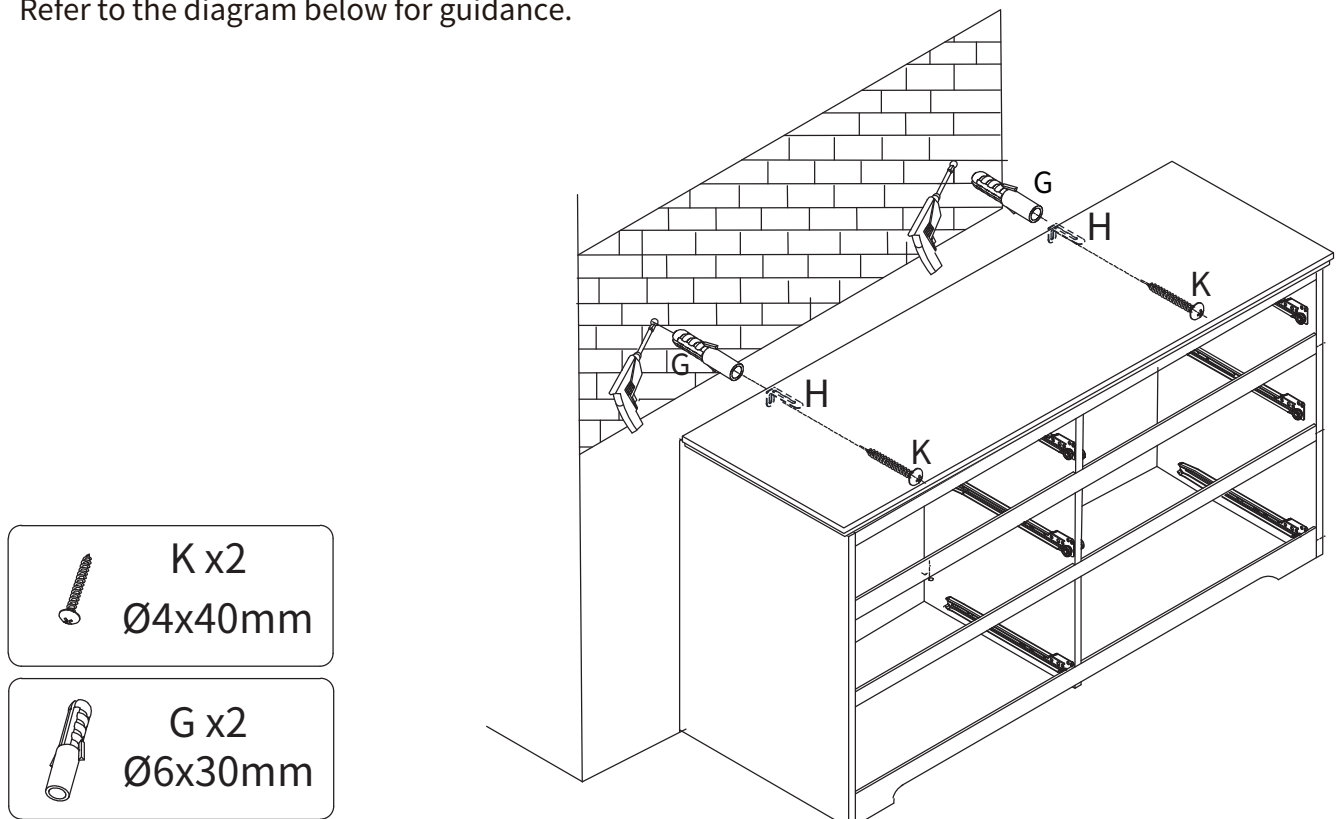


Step 18

Knock the expansion screws (G) into the wall with a hammer, then put the back of the cabinet, and then use the long screws (K) to pass through the Part (H) and

lock into the expansion screws in the wall

Refer to the diagram below for guidance.



Step 19

Place the drawer with the front Panel labeled as Panel ⑫ on the left side.
Place the drawer with the front Panel labeled as Panel ⑬ on the right side.
Refer to the diagram below for guidance.

