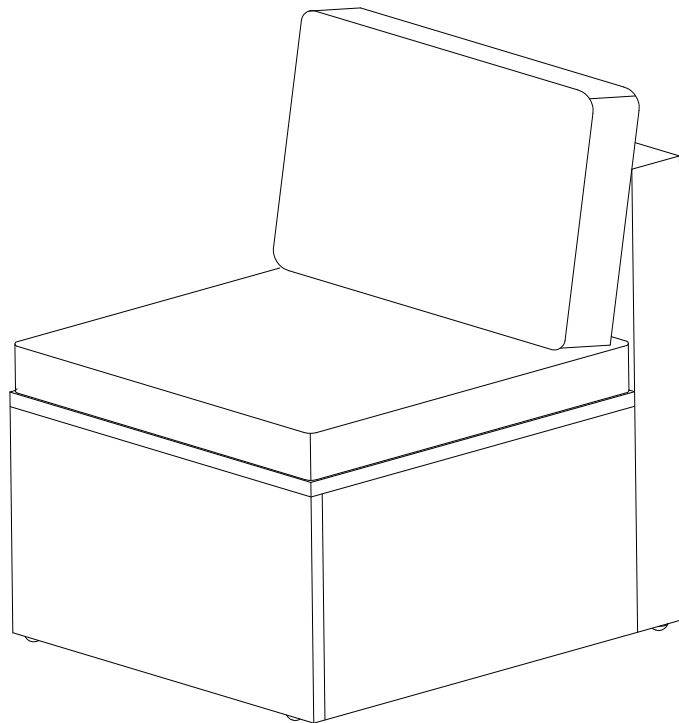


Outdoor Wicker Center Chair

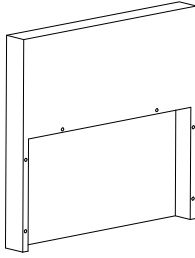
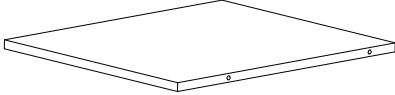
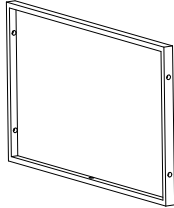
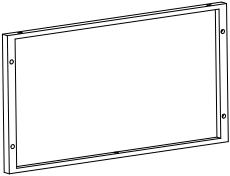
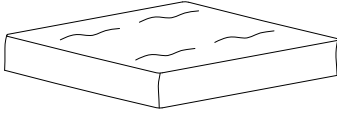



Congratulations! You have purchased a stylish piece of our furniture. We strived to provide fine furniture products, built with quality materials and hand finished details. Please carefully follow the assembly instructions to ensure your furniture is assembled correctly to provide long lasting enjoyment.

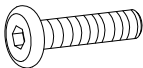
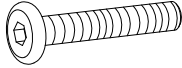
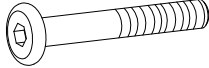
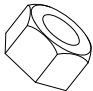
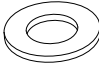
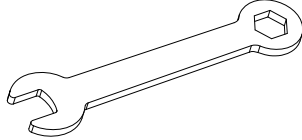
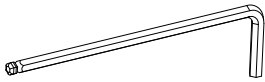
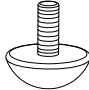
Should you experience any missing or damaged parts, **do not return to the store**, Please visit our website or contact us directly

Care: Use a soft, clean cloth that will not scratch the surface when cleaning. The use of solvents is not necessary. Should you choose to use solvents, test in an inconspicuous area first to avoid damaging the finish. TO clean, simply use a soft, clean cloth lightly dampened with water.

PART LIST

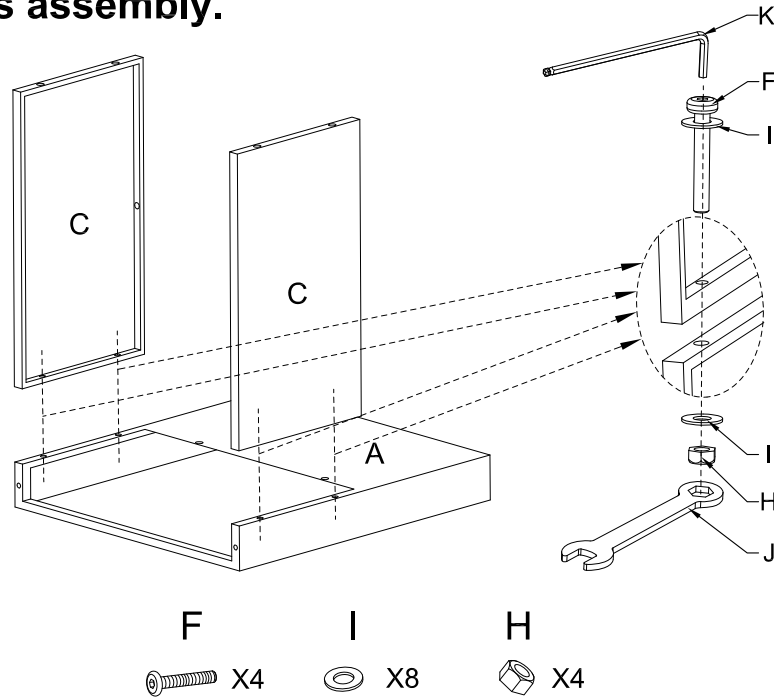
 <p>Back Panel</p>		 <p>Seat Panel</p>		 <p>Side Panel</p>	
A	1pc	B	1pc	C	2pcs
 <p>Lower Front Panel</p>		 <p>Seat Cushion</p>		 <p>Back Cushion</p>	
D	1pc	M	1pc	N	1pc

HARDWARE LIST

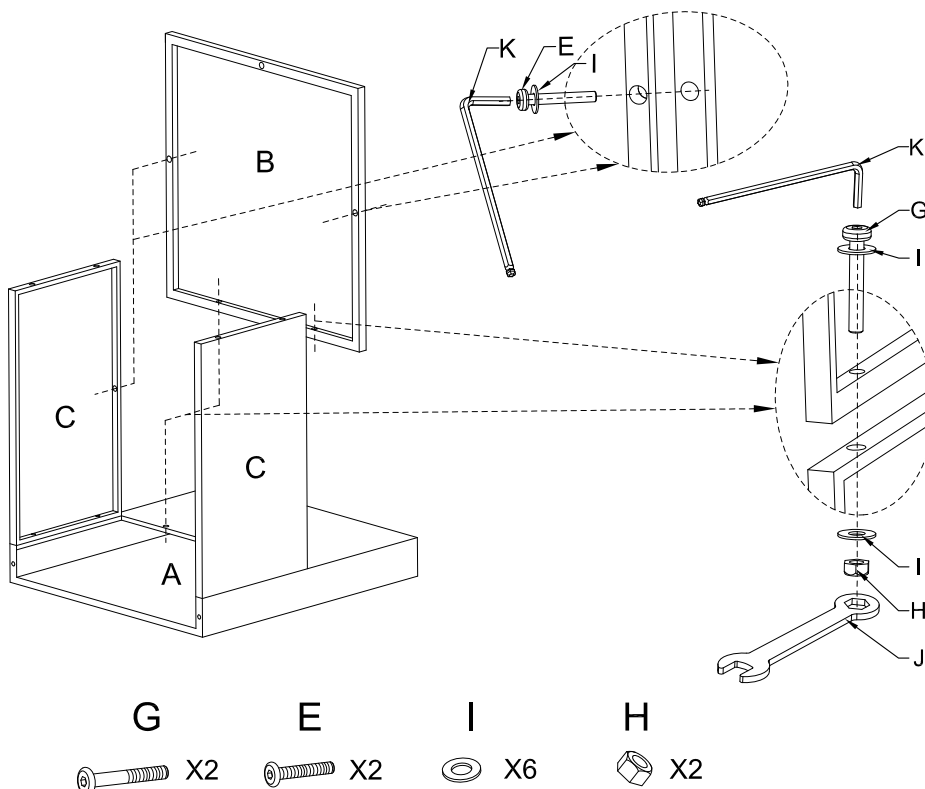
 <p>Short Bolt(M6*30mm)</p>		 <p>Medium Bolt(M6*40mm)</p>		 <p>Long Bolt(M6*50mm)</p>	
E	7pcs	F	4pcs	G	2pcs
 <p>Nut(M6mm)</p>		 <p>Washer(M6mm)</p>		 <p>Wrench(M6mm)</p>	
H	6pcs	I	19pcs	J	1pc
 <p>Allen Key(M6mm)</p>		 <p>Adjustable Leveler</p>			
K	1pc	L	4pcs		

Step 1. Lay Back Panel (A) down on a flat surface. Attach Side Panel(C) to Back Panel(A) using the Medium Bolt(F), Washer(I), Nut(H), Wrench (J) & Allen Key (K).

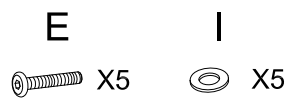
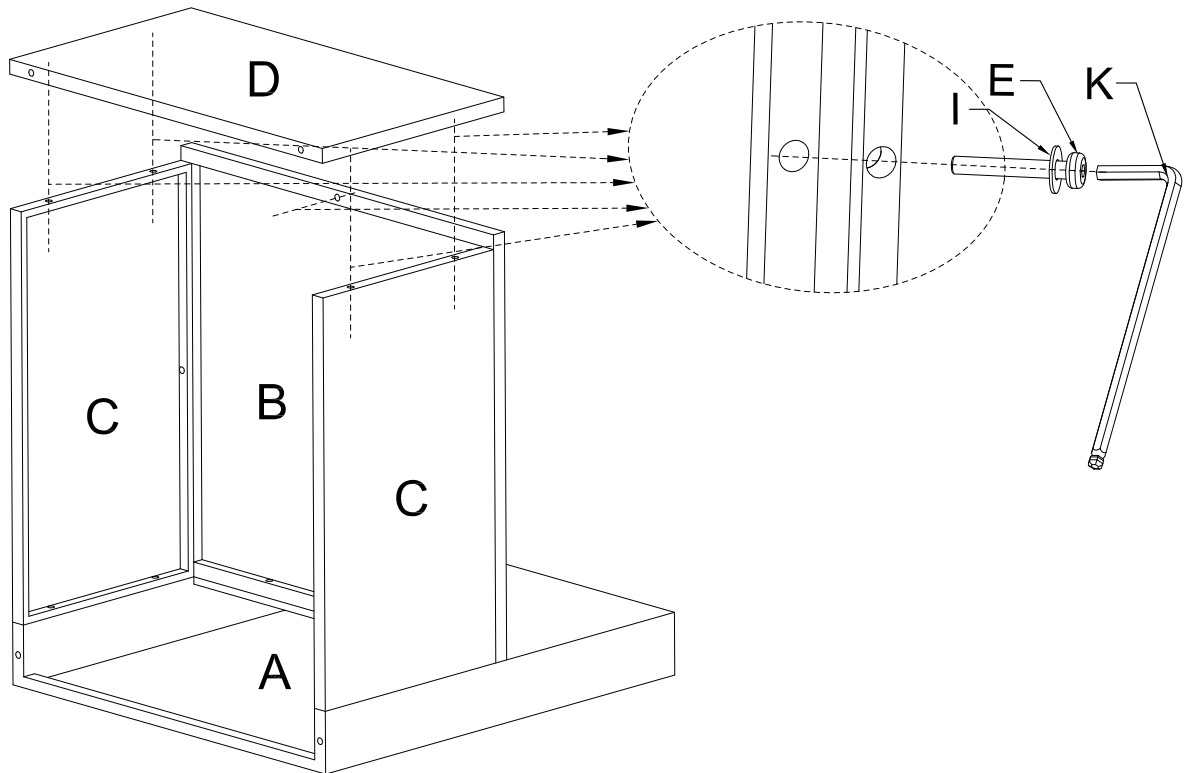
NOTE: Please do not tighten the bolt before fully completed all steps assembly.



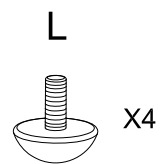
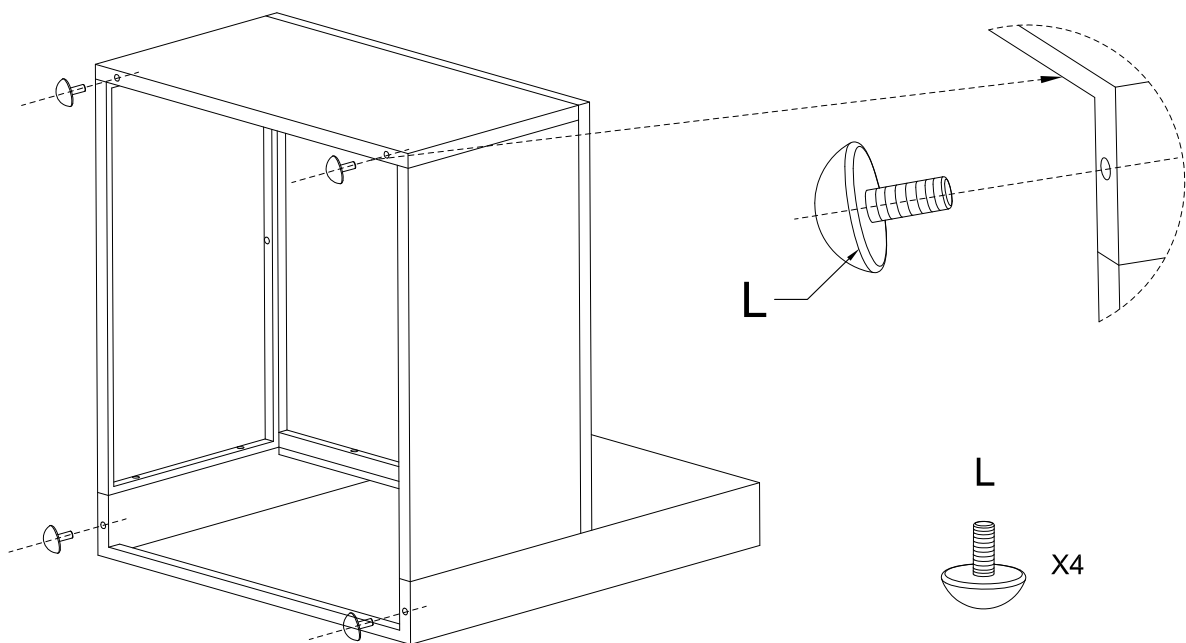
Step 2. Attach Seat Panel(B) to Side Panel (C) and Back Panel (A) using the Long Bolt(G), Short Bolt (E), Washer(I), Nut(H), Wrench (J) & Allen Key (K).



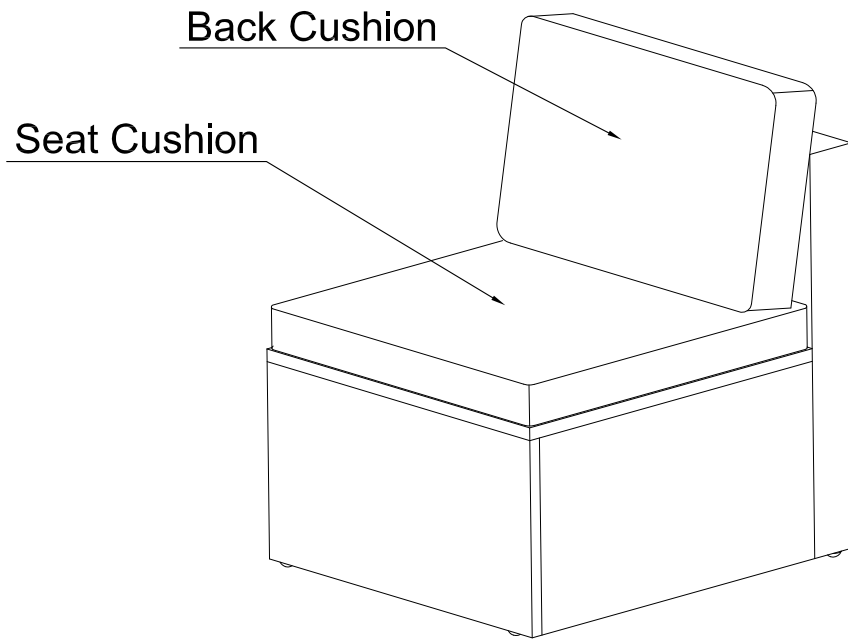
Step 3. Attach Lower Front Panel (D) to Side Panel (C) and Seat Panel (B) using the Short Bolt(E), Washer (I) & Allen Key (K)



Step 4. Screw the Adjustable Leveler Part (L) into the pre-drilled holes, to the desired position, on the bottom of the chair.



Step 5. Turn the assembled chair upright on a flat surface, add the Seat and Back Cushions.



Limited Manufacturers Warranty

Our products are warranted against defects in material and workmanship for a period of 90 days beginning from the date of sale. Should any parts be missing or defective, we will replace or repair the parts for a period of 90 days from the date of purchase.

Should you experience any missing or damaged parts, do not return to the store. Please contact us directly

This warranty gives the purchaser specified legal rights in addition to any rights which may vary from state to state.