

ASSEMBLY INSTRUCTION

Thank you for purchasing this quality product. Be sure to check all packing material carefully for small parts which may have come loose inside the carton during shipment. Separate, identify and count all parts and hardware. Compare with the parts list to be sure all parts are present.

IMPORTANT : PLEASE READ INSTRUCTION BEFORE STARTING THE ASSEMBLY.

"DO NOT TIGHTEN SCREWS UNTIL COMPLETELY ASSEMBLED"

"DO NOT OVERTIGHT ANY HARDWARE"

WARNING : SMALL PARTS AND HARDWARE NOT FOR CHILDREN UNDER 3 YEARS. ADULT ASSEMBLY REQUIRED.

TABLE OF CONTENTS

HARDWARES LIST

PAGE 2

PARTS LIST

PAGE 3-4

PARTS' LOCATION

PAGE 5

ASSEMBLY COFFEE TABLE

PAGE 6 - 11

ASSEMBLY END TABLE

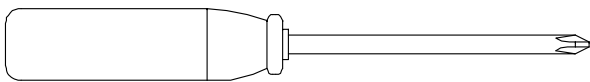
PAGE 11 - 16

ASSEMBLY COMPLETED

PAGE 16

ASSEMBLY TOOLS REQUIRED

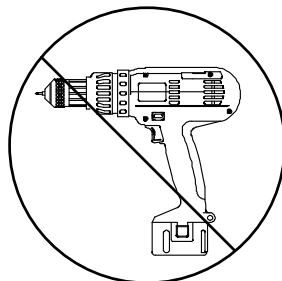
1. Screwdriver (not provide)



2. Hammer (not provide)

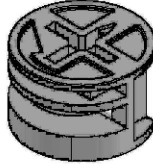
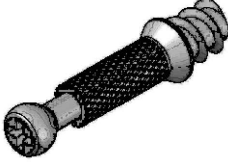
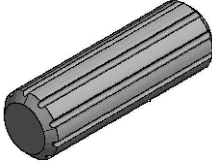
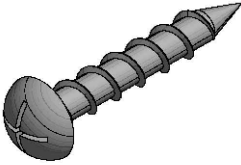


Skip the power trip this time.



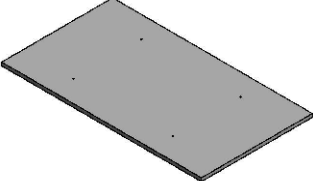
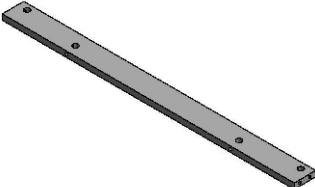
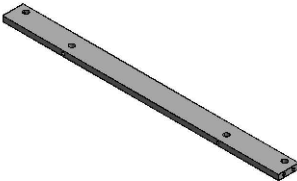
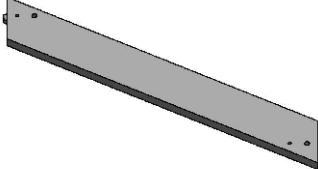
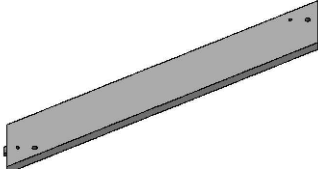
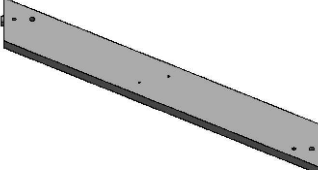
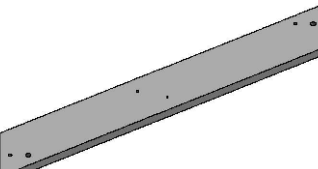
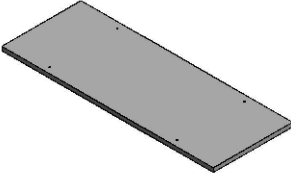
ASSEMBLY INSTRUCTION

HARDWARES LIST

ITEM	DESCRIPTION	DRAWING	QTY
A	MINIFIX CAM LOCK		48 PCS
B	MINIFIX CAM BOLT		48 PCS
C	WOOD DOWEL (M8 x 25MM)		24 PCS
D	PANHEAD SCREW (M4 x 25MM)		12 PCS

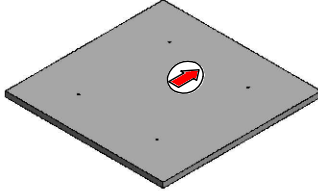
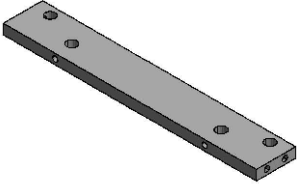
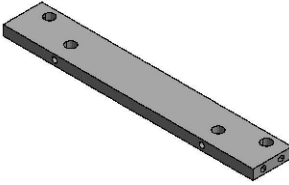
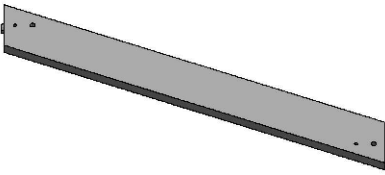
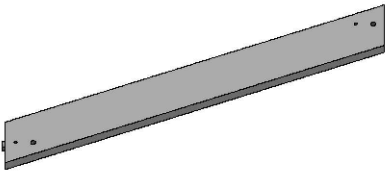
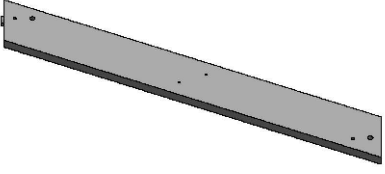
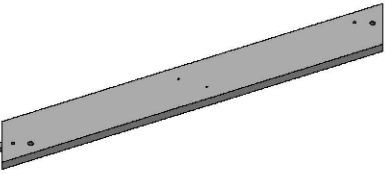
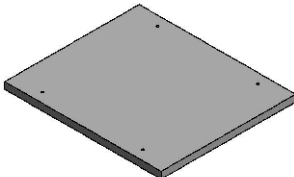
ASSEMBLY INSTRUCTION

PARTS LIST COFFEE TABLE

ITEM	DESCRIPTION	DRAWING	QTY
1	TOP PANEL		1 PC
2	LONG SUPPORT RAIL		2 PCS
3	SHORT SUPPORT RAIL		2 PCS
4	LEG OUTSIDE (i)		1 PC
5	LEG OUTSIDE (ii)		1 PC
6	LEG INSIDE (i)		1 PC
7	LEG INSIDE (ii)		1 PC
8	BOTTOM PANEL		1 PC

ASSEMBLY INSTRUCTION

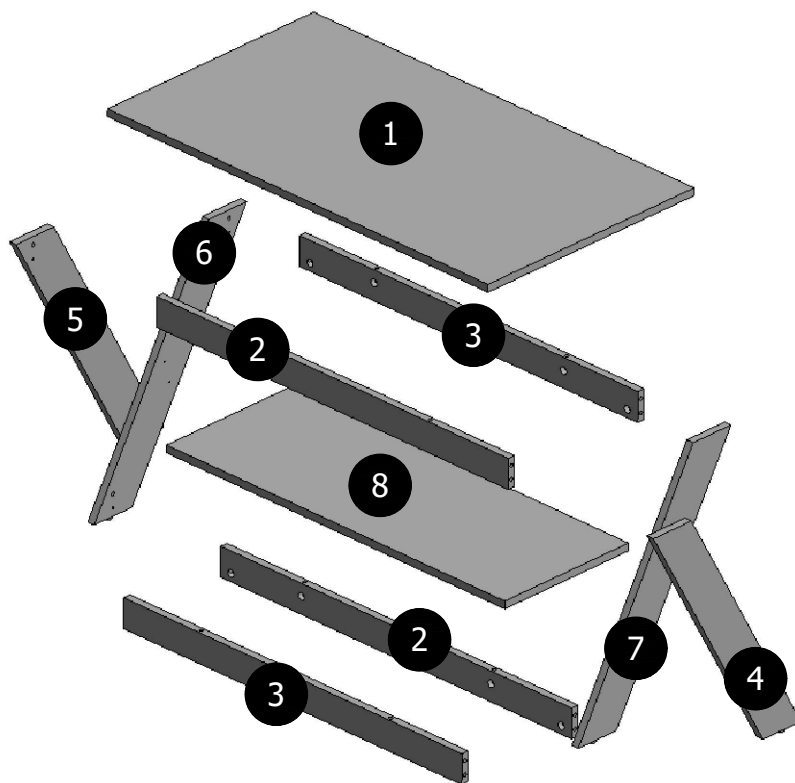
PARTS LIST END TABLE

ITEM	DESCRIPTION	DRAWING	QTY
9	TOP PANEL		2 PCS
10	LONG SUPPORT RAIL		4 PCS
11	SHORT SUPPORT PANEL		4 PCS
12	LEG OUTSIDE (i)		2 PCS
13	LEG OUTSIDE (ii)		2 PCS
14	LEG INSIDE (i)		2 PCS
15	LEG INSIDE (ii)		2 PCS
16	BOTTOM PANEL		2 PCS

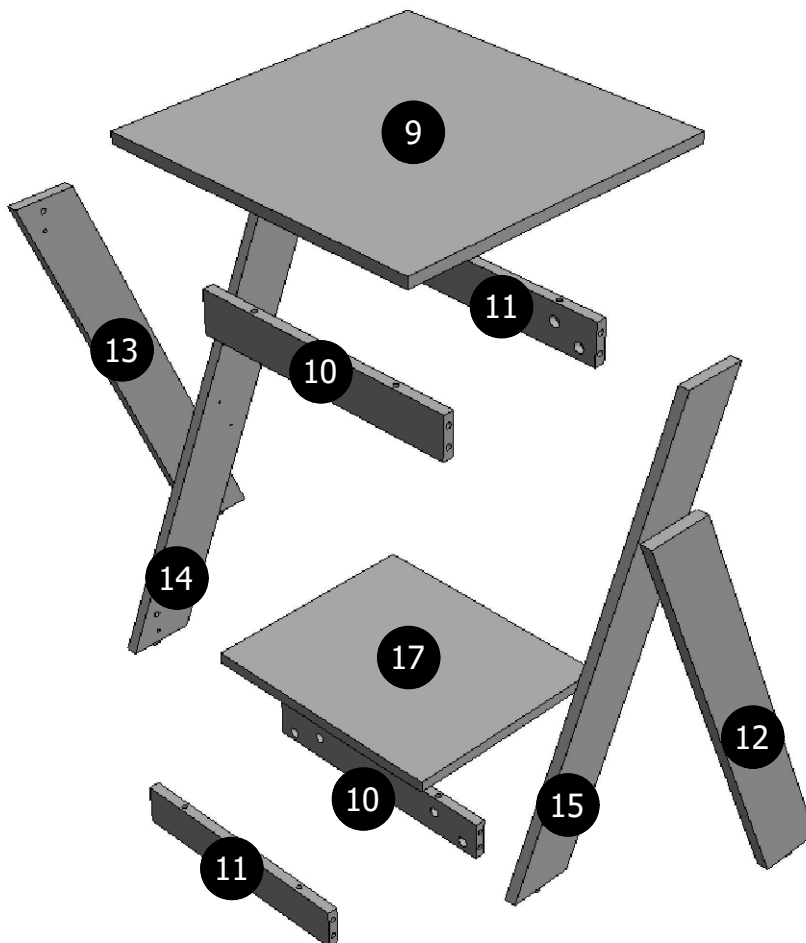
ASSEMBLY INSTRUCTION

PARTS ' LOCATION

COFFEE TABLE x 1 PC

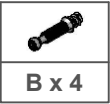
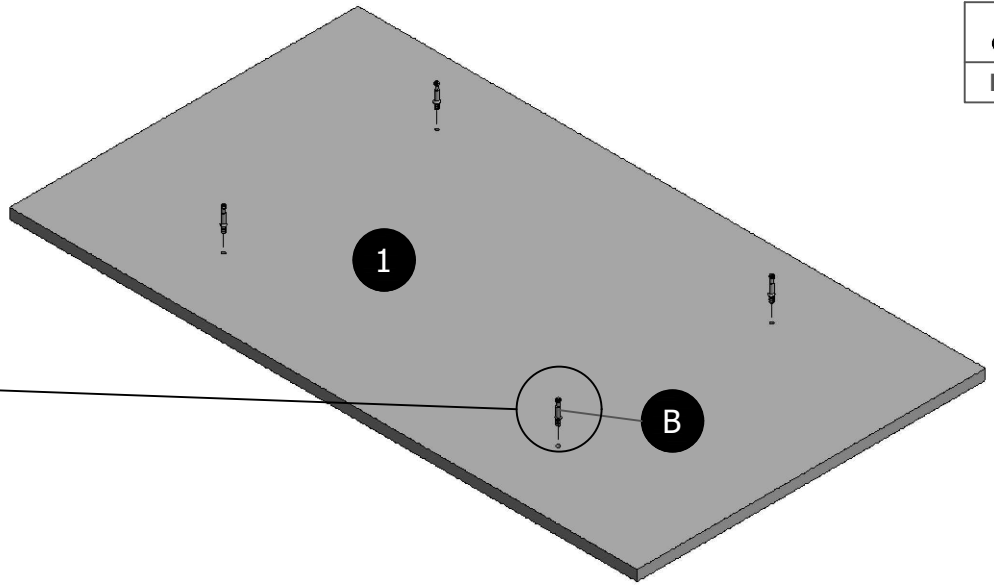
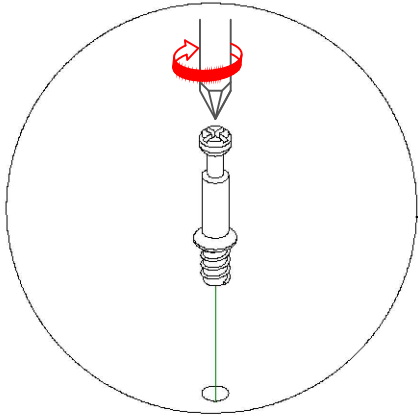


END TABLE x 2 PCS

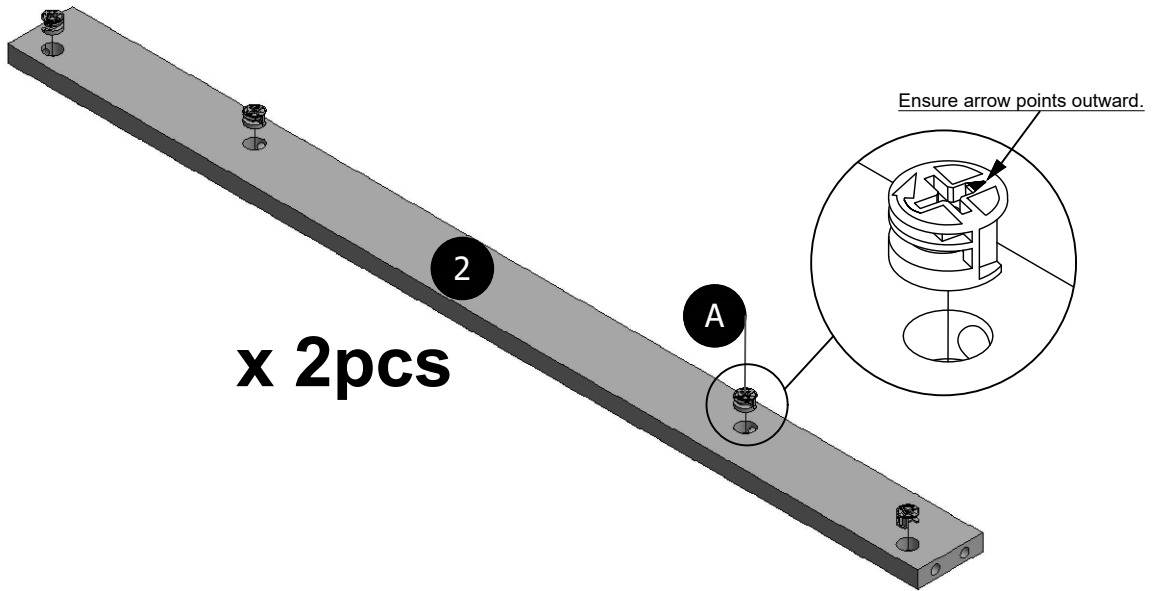


ASSEMBLY INSTRUCTION

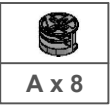
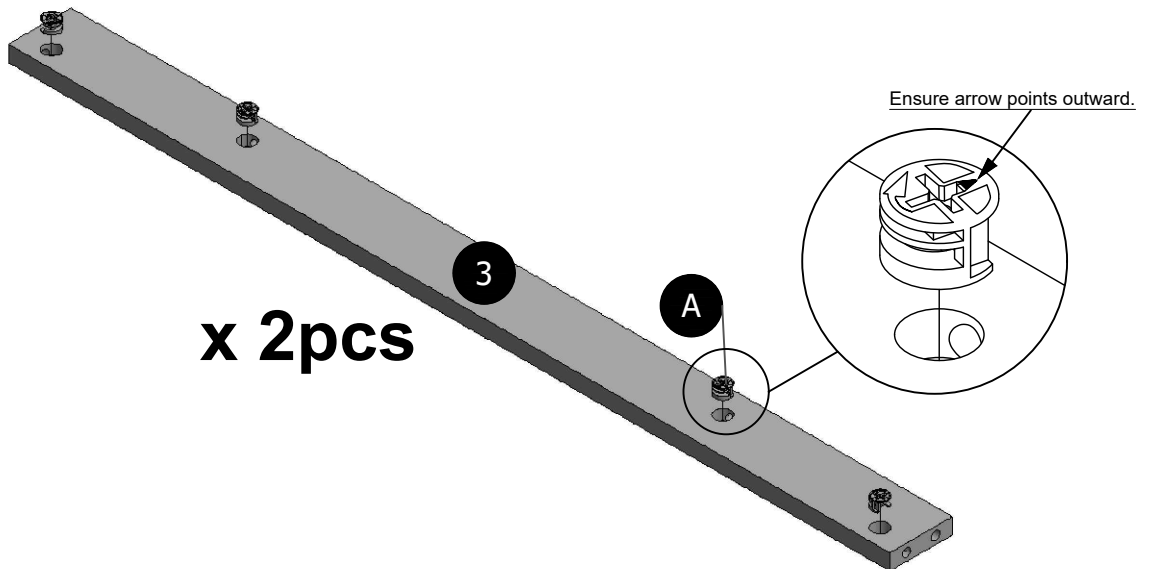
STEP 1



STEP 2





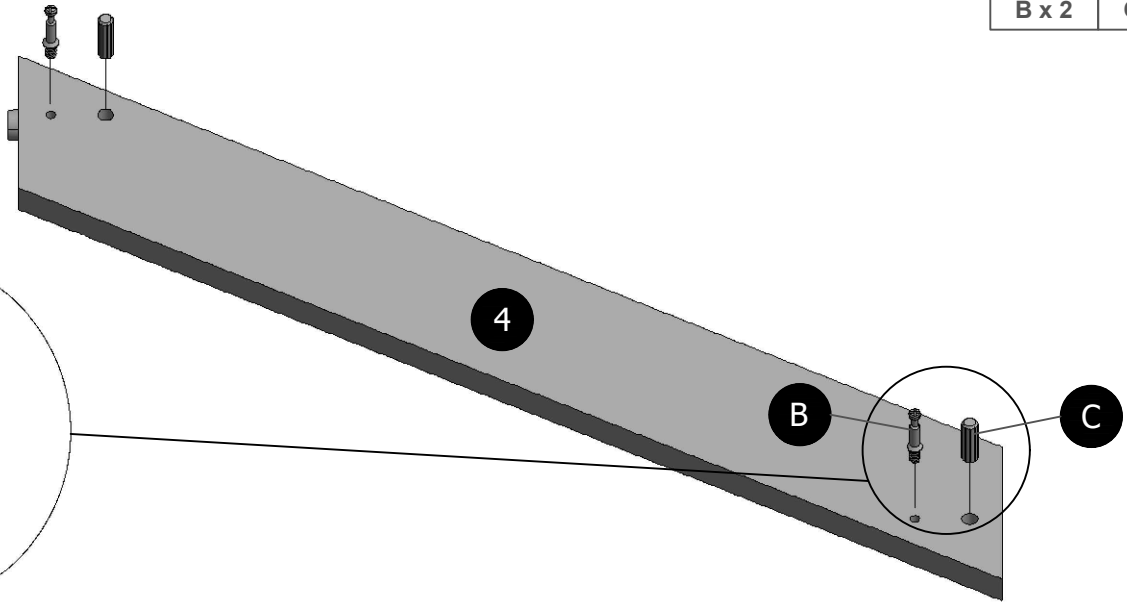
STEP 3





ASSEMBLY INSTRUCTION

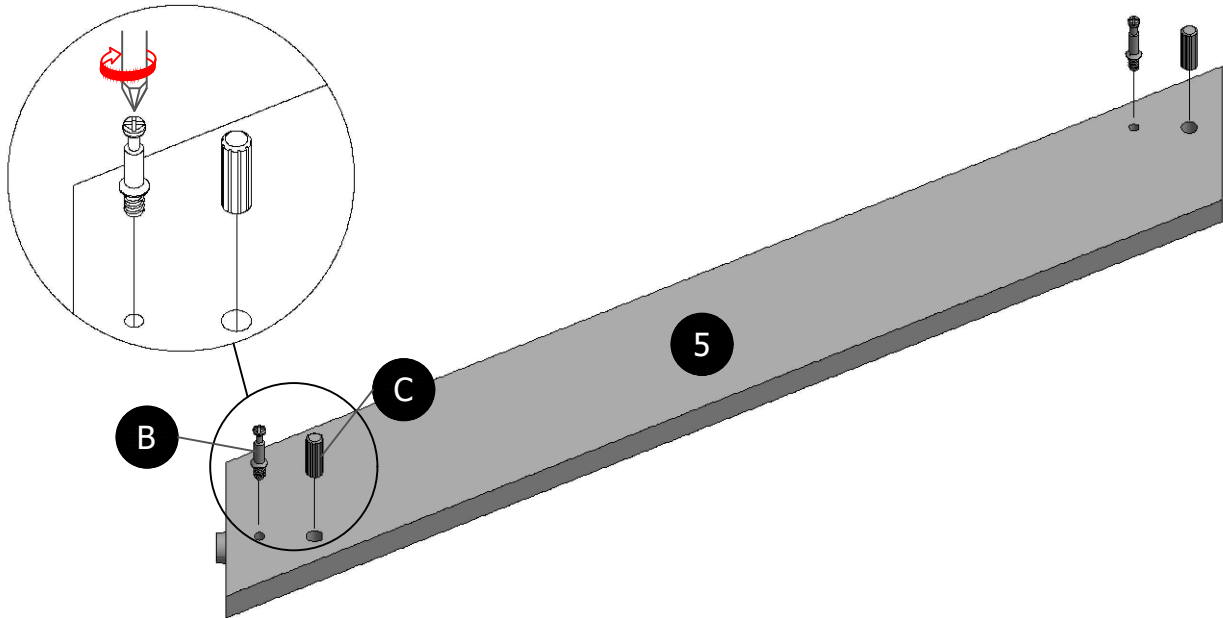
STEP 4

	
B x 2	C x 2





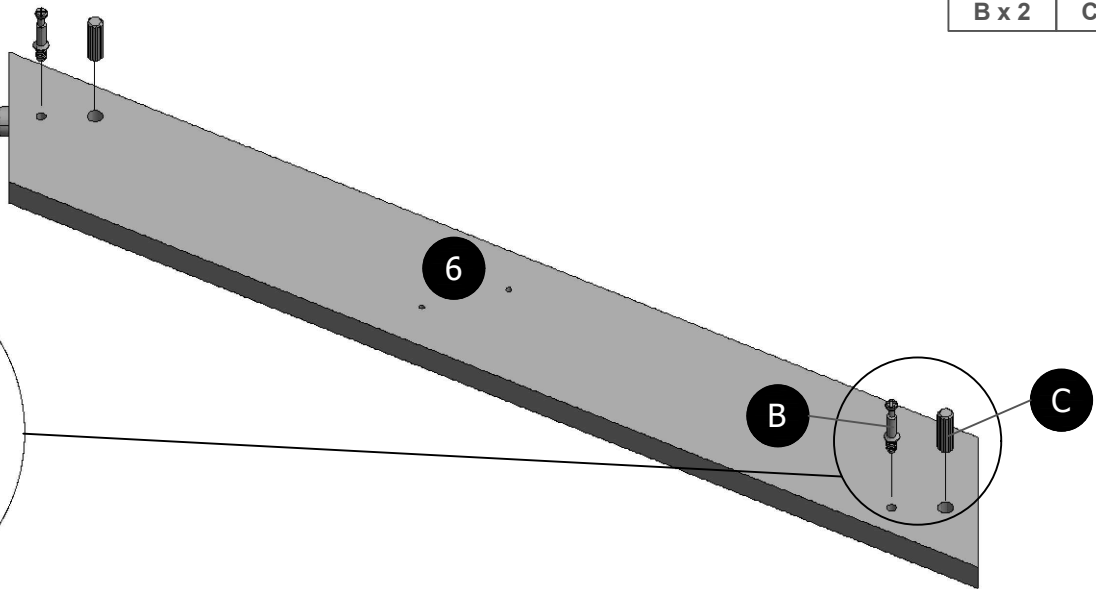
STEP 5

	
B x 2	C x 2



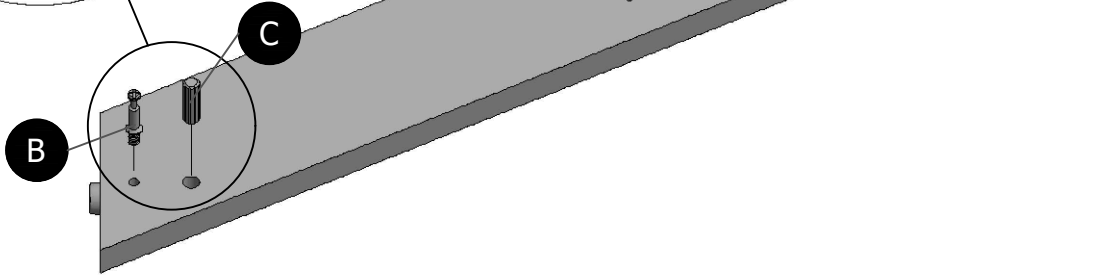
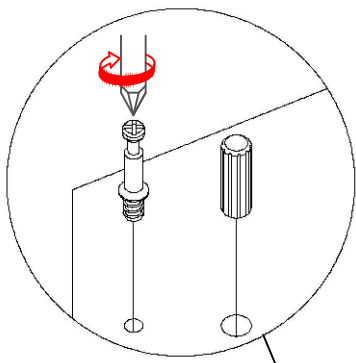
STEP 6



	
B x 2	C x 2



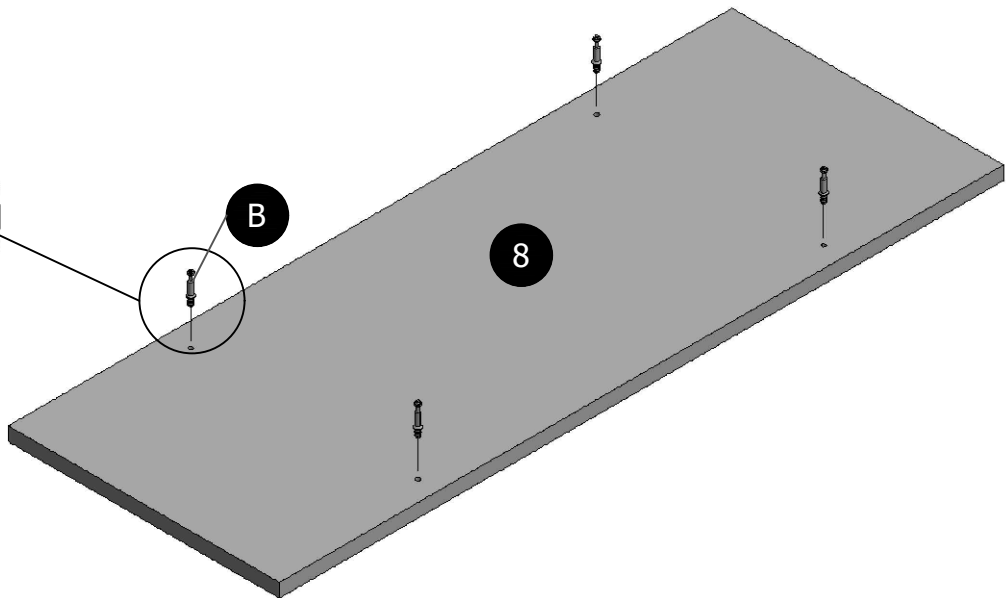
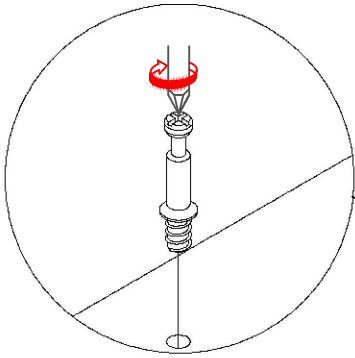
ASSEMBLY INSTRUCTION


STEP 7



	
B x 2	C x 2

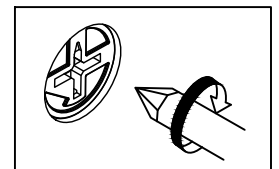
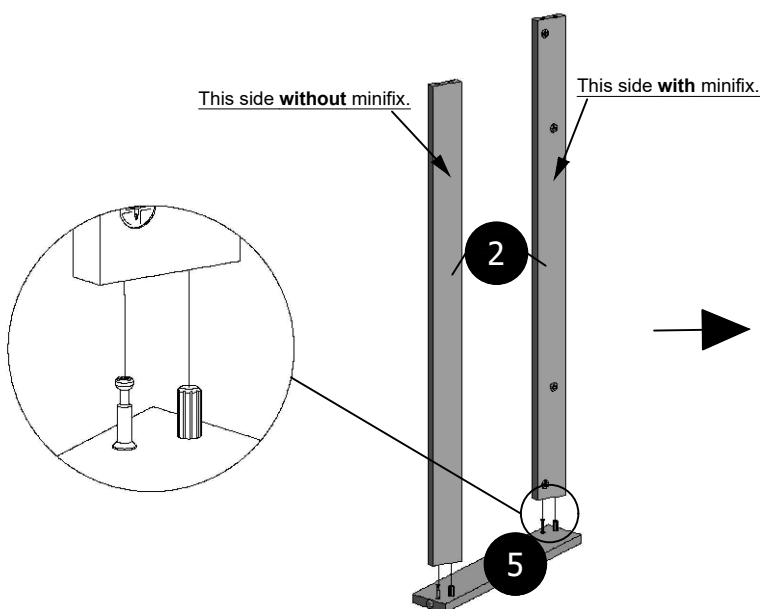
STEP 8




B x 4

STEP 9

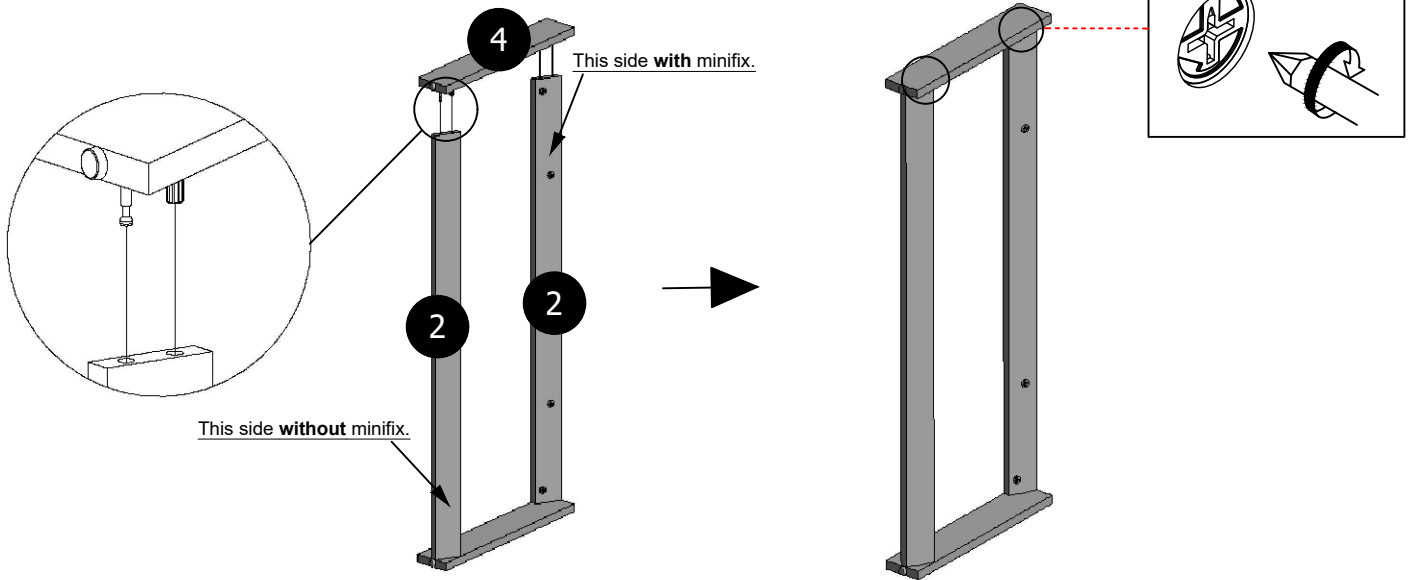
Combine (2) into (5), then tighten 2pcs (A) as shown.



ASSEMBLY INSTRUCTION

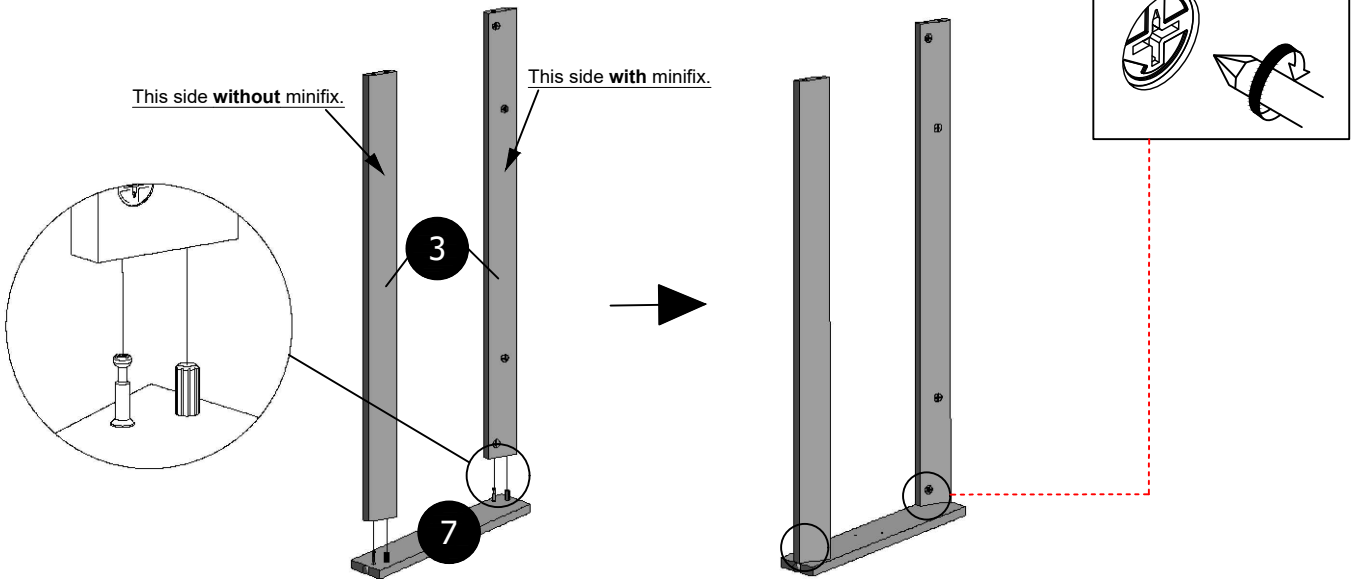
STEP 10

Combine (4) into (2), then tighten 2pcs (A) as shown.



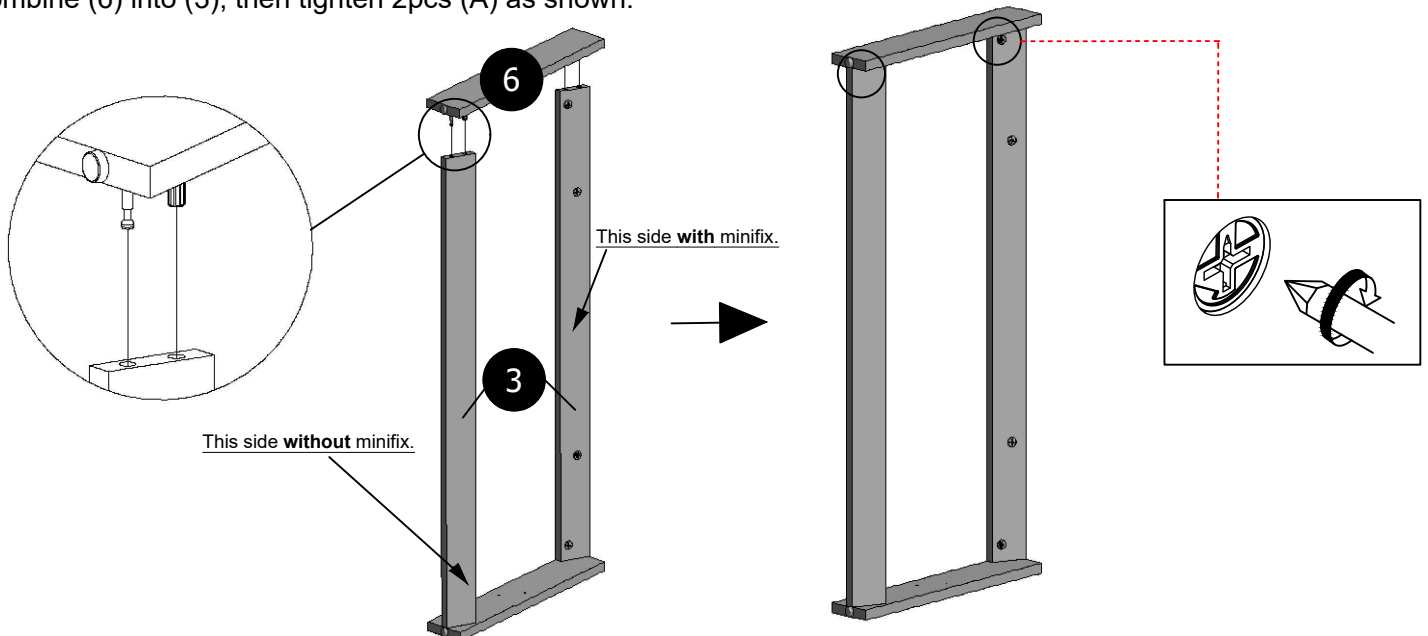
STEP 11

Combine (3) into (7), then tighten 2pcs (A) as shown.



STEP 12

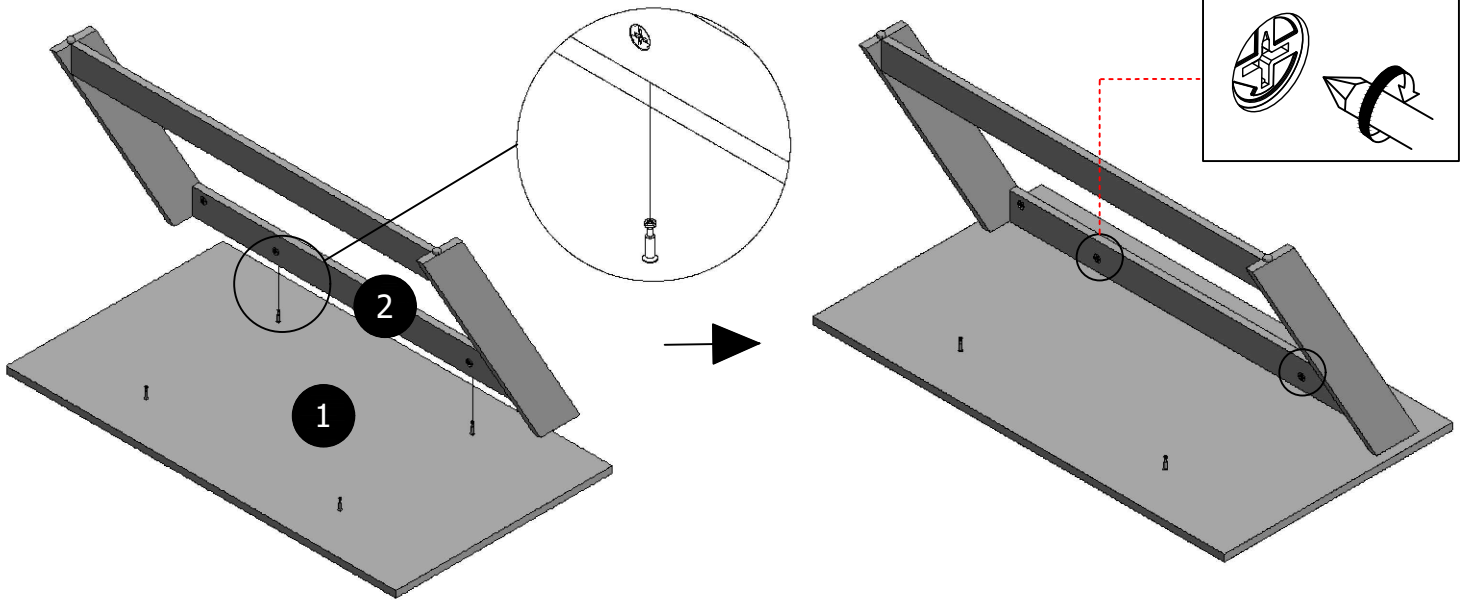
Combine (6) into (3), then tighten 2pcs (A) as shown.



ASSEMBLY INSTRUCTION

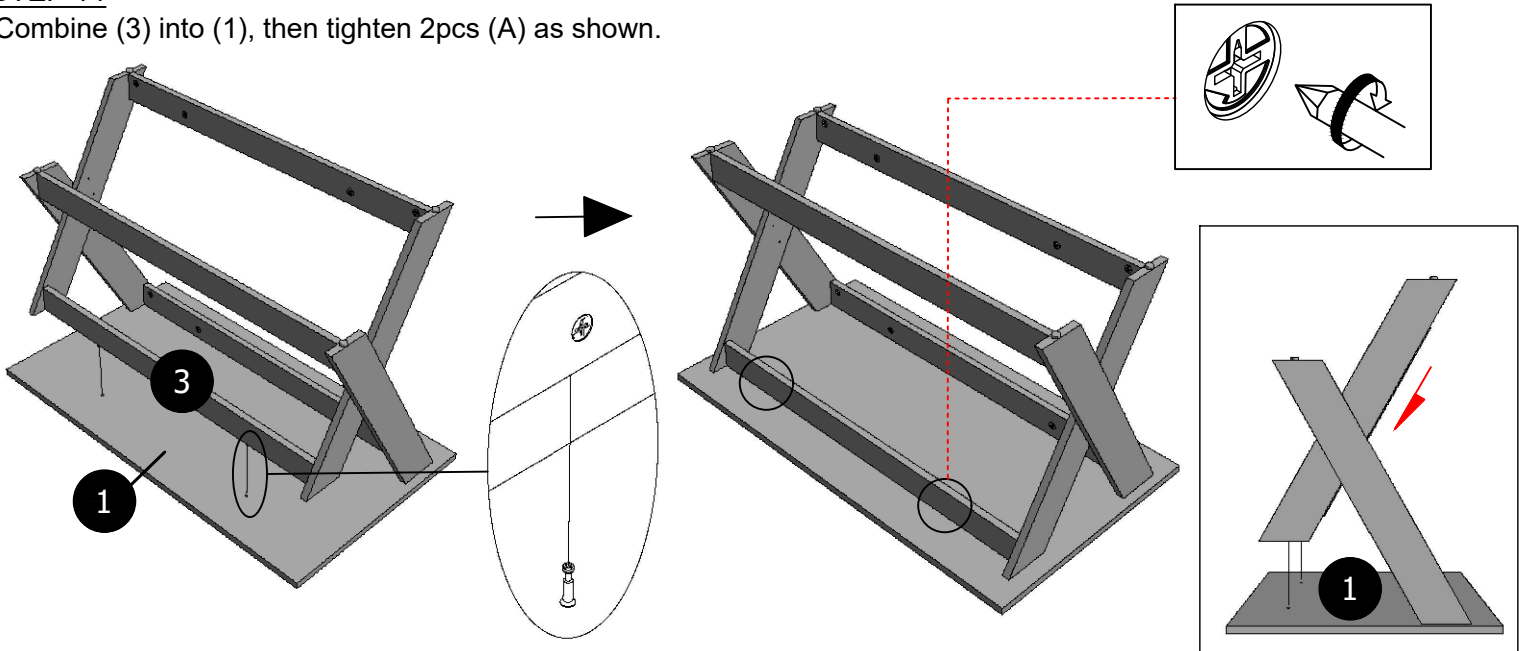
STEP 13

Combine (2) into (1), then tighten 2pcs (A) as shown.



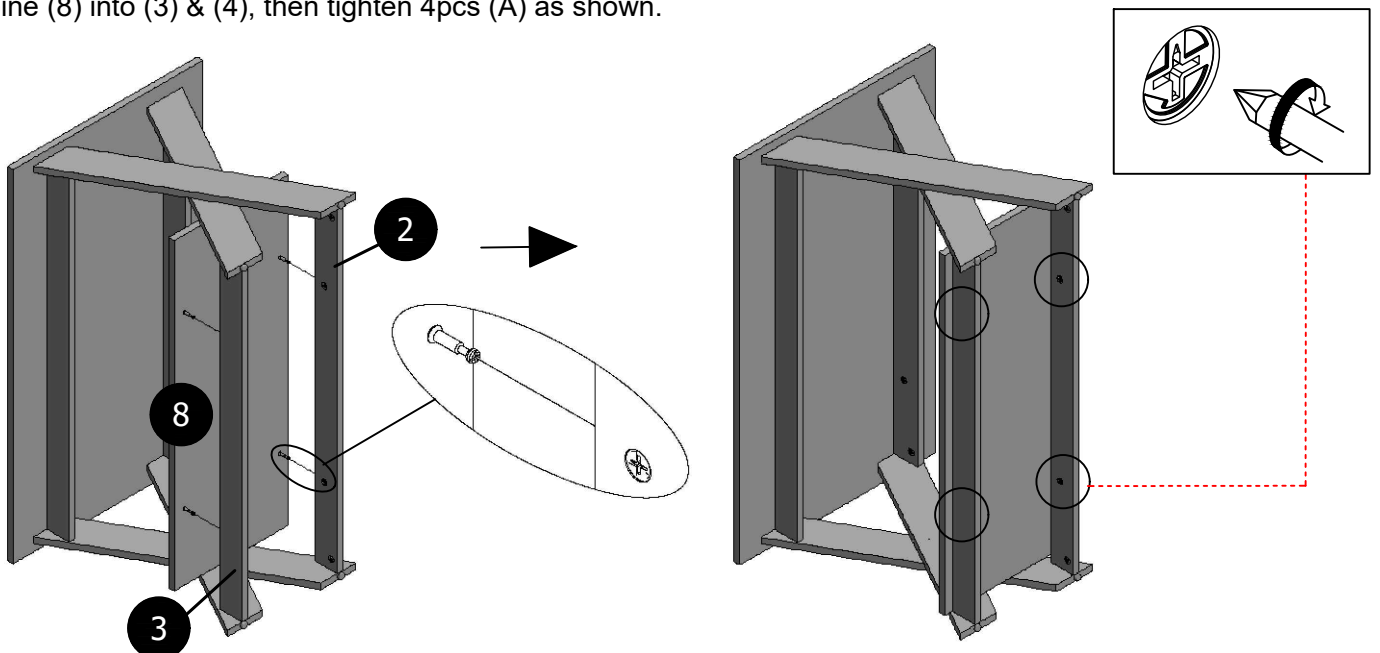
STEP 14

Combine (3) into (1), then tighten 2pcs (A) as shown.



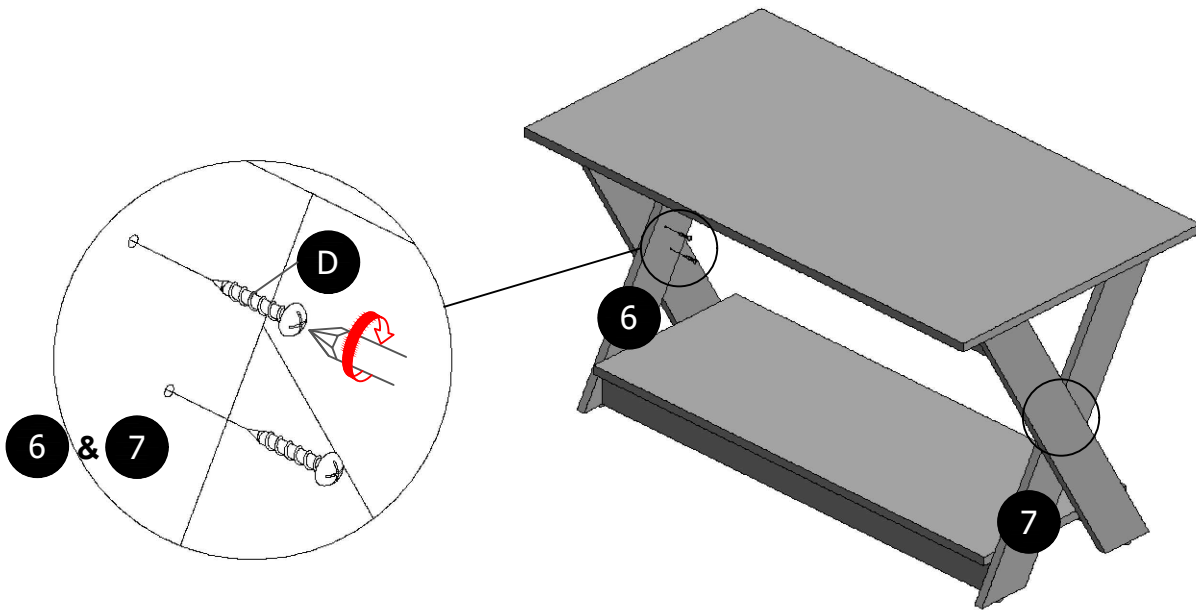
STEP 15

Combine (8) into (3) & (4), then tighten 4pcs (A) as shown.

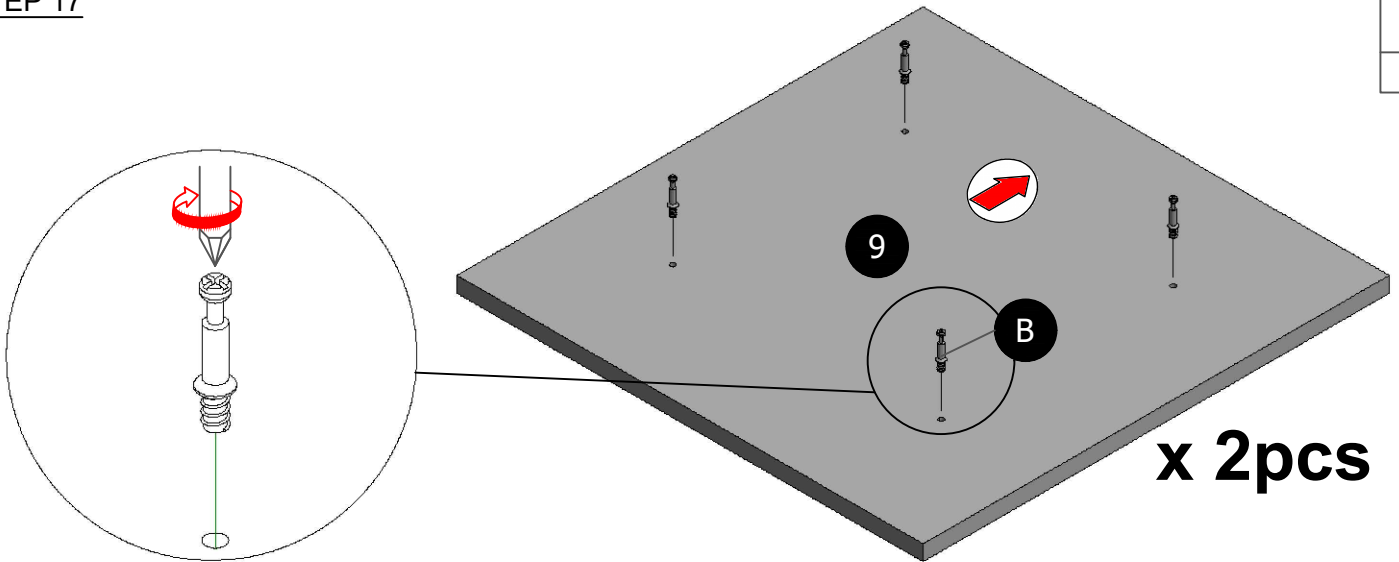


ASSEMBLY INSTRUCTION

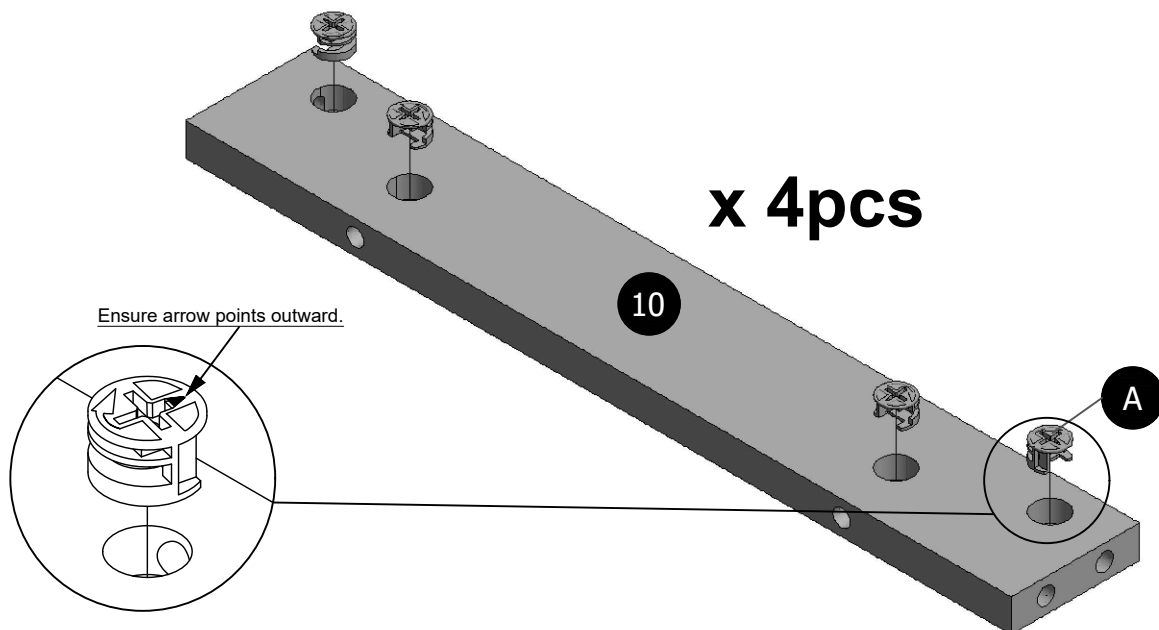
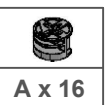
STEP 16



STEP 17



STEP 18

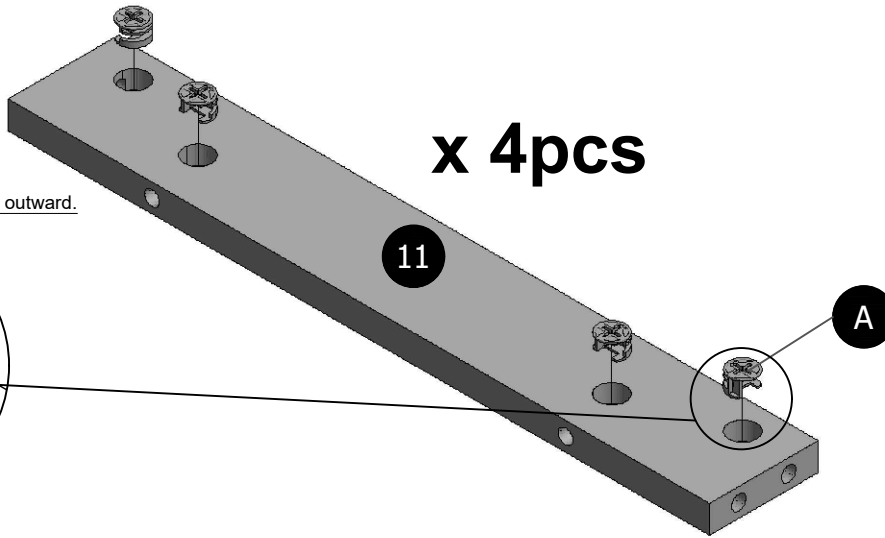
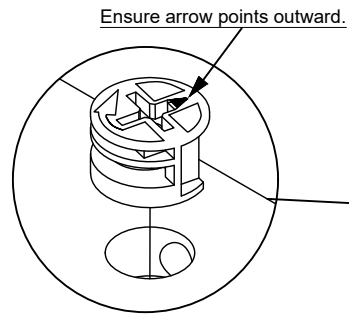


ASSEMBLY INSTRUCTION

STEP 19



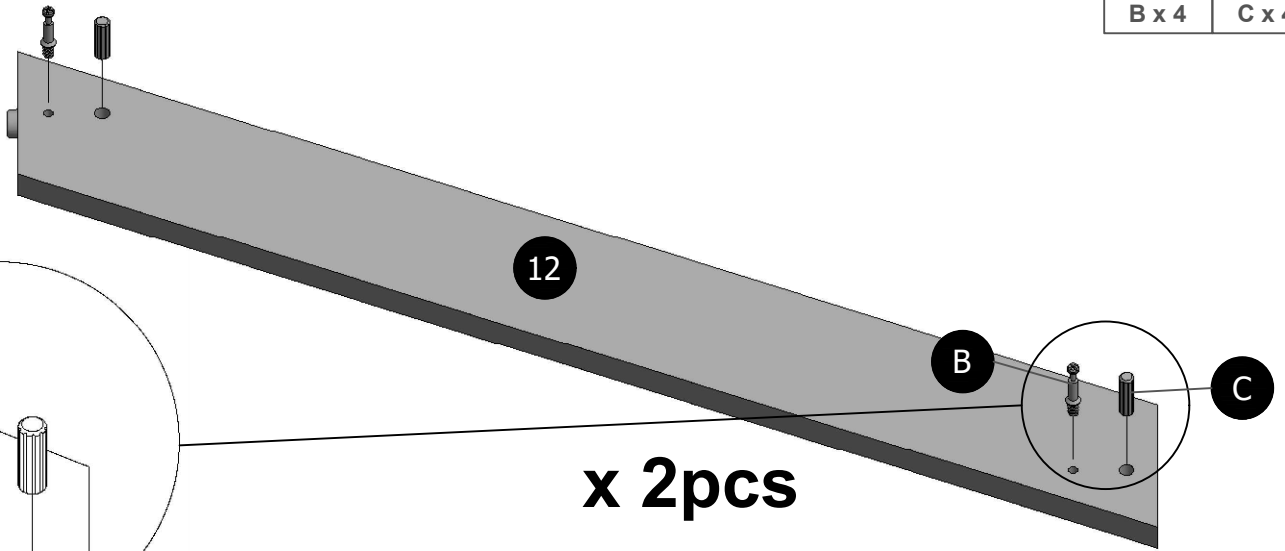
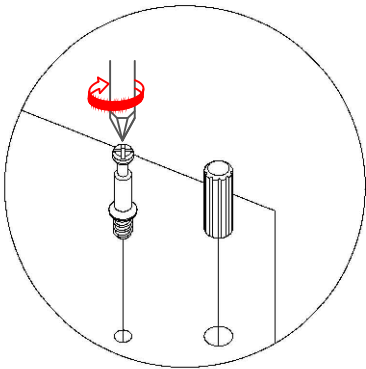
x 4pcs



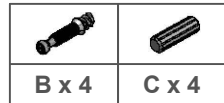
STEP 20



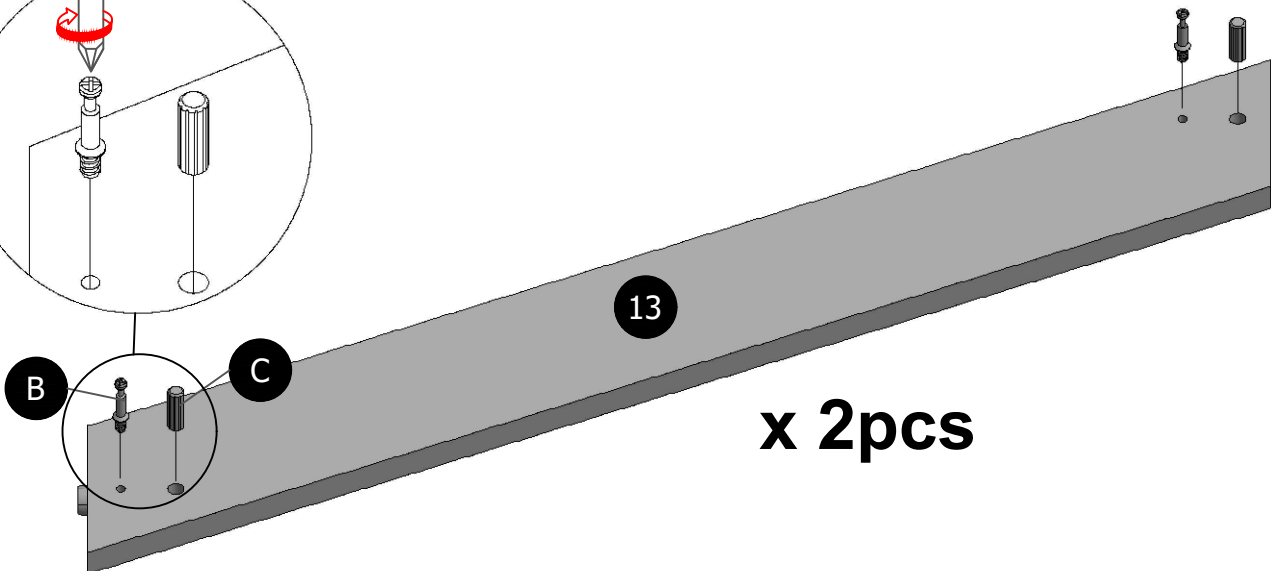
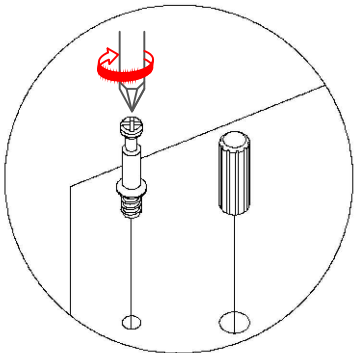
x 2pcs



STEP 21





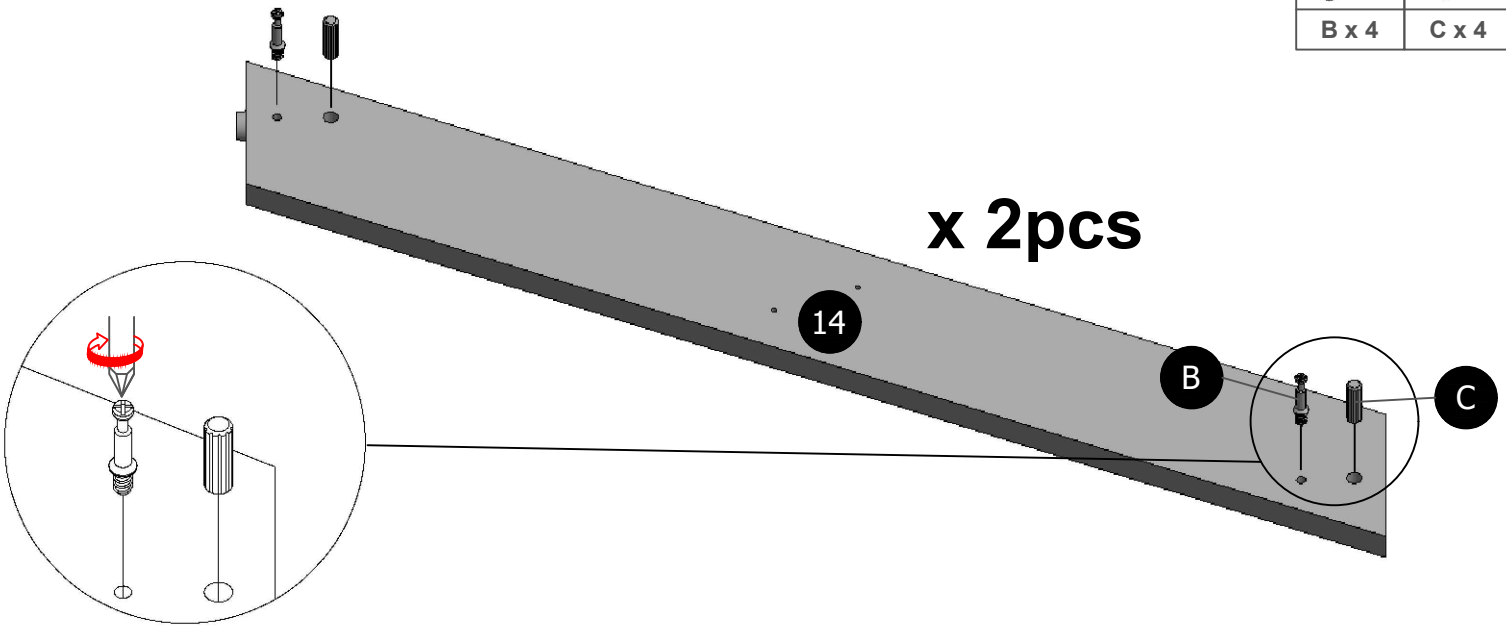
x 2pcs





ASSEMBLY INSTRUCTION

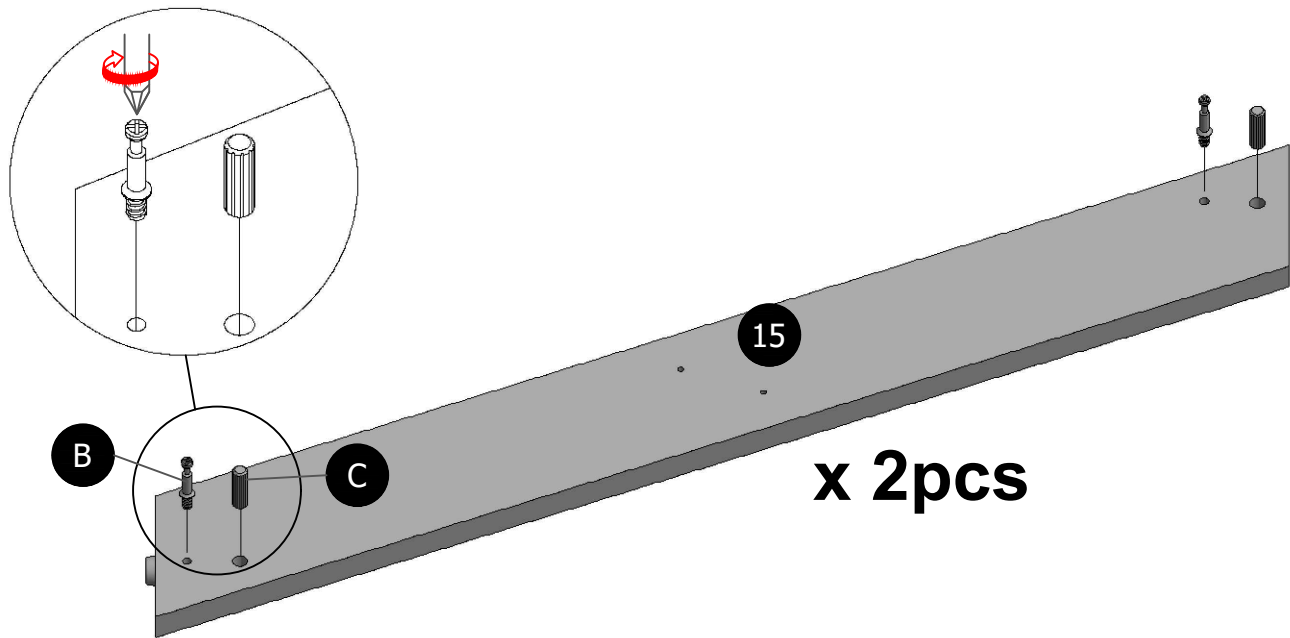
STEP 22

	
B x 4	C x 4




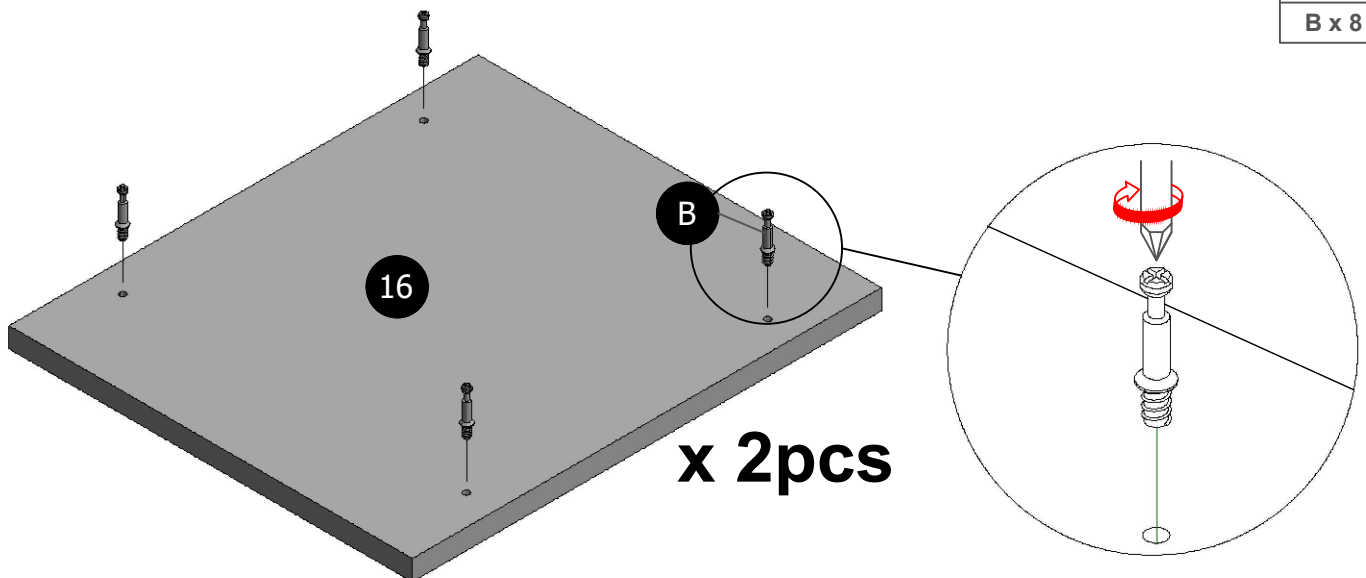
STEP 23

	
B x 4	C x 4



STEP 24

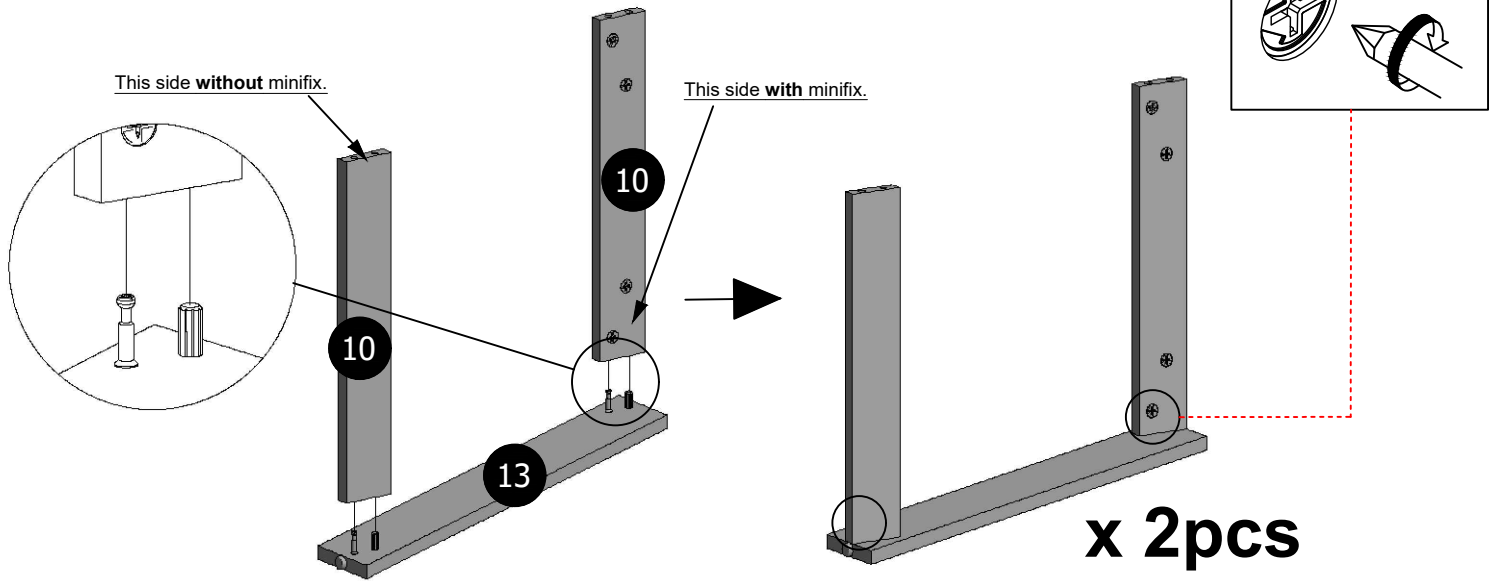

B x 8



ASSEMBLY INSTRUCTION

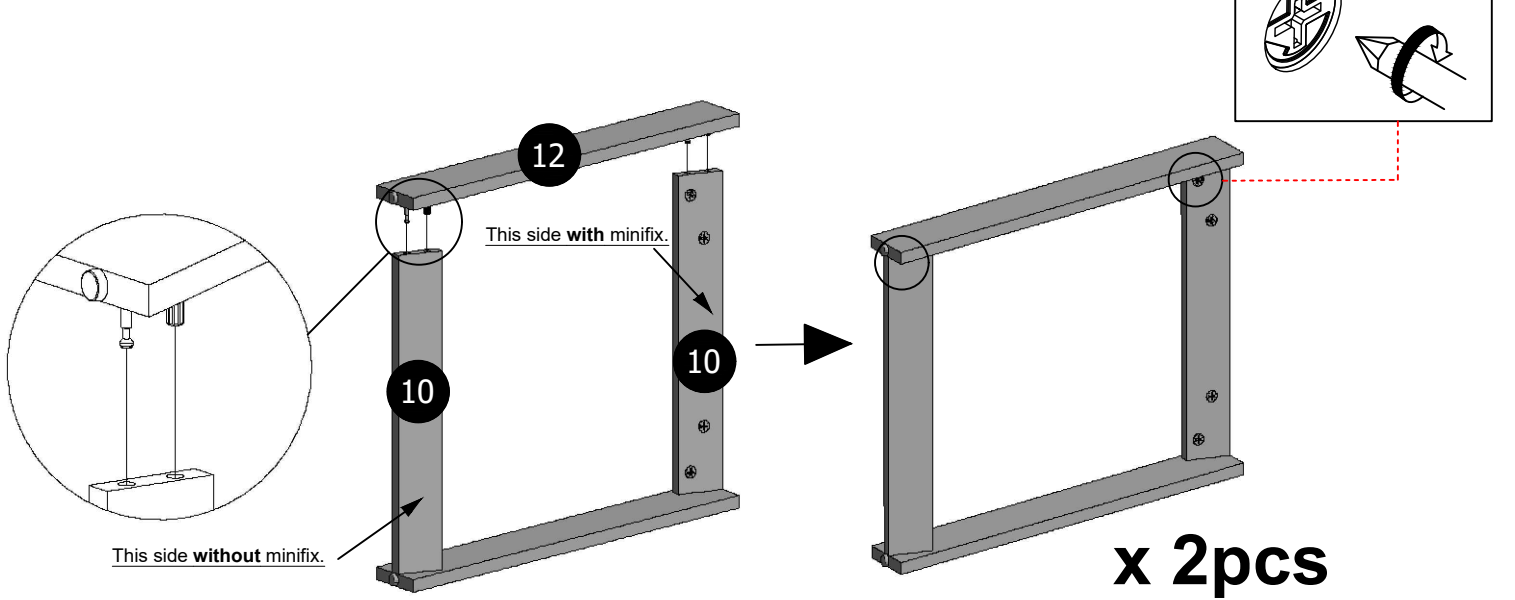
STEP 25

Combine (10) into (13), then tighten 2pcs (A) as shown.



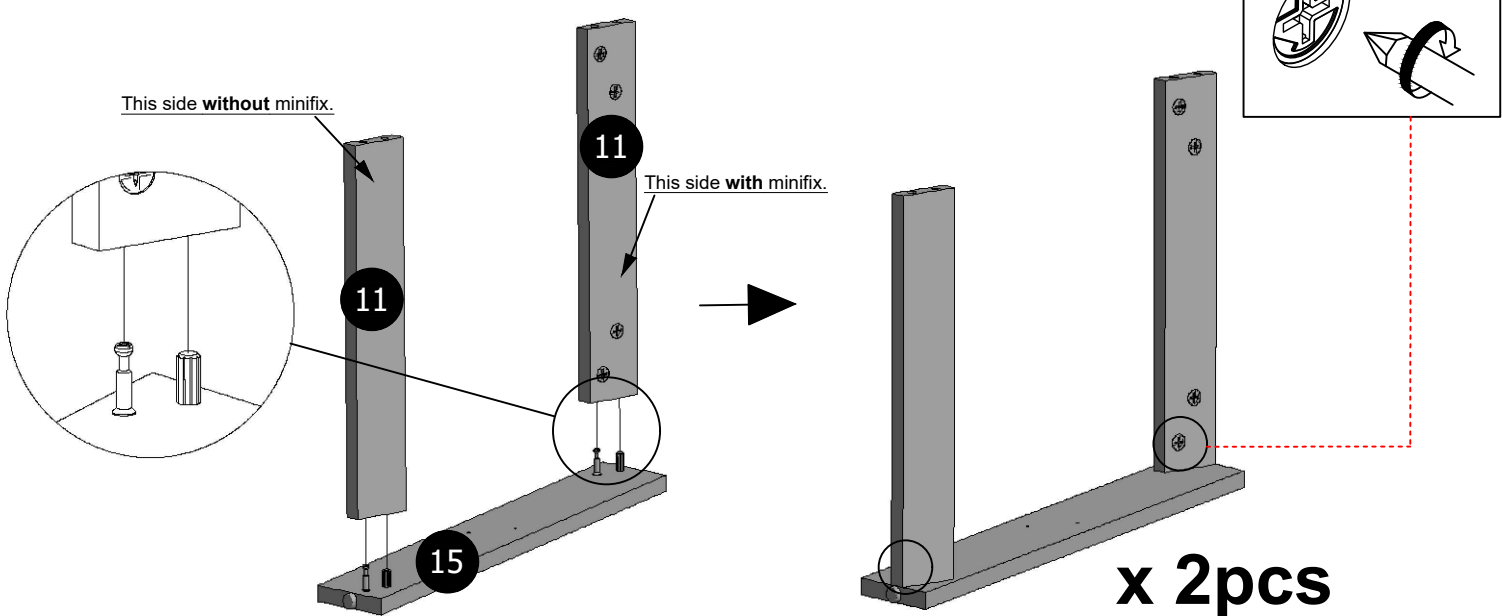
STEP 26

Combine (12) into (10), then tighten 2pcs (A) as shown.



STEP 27

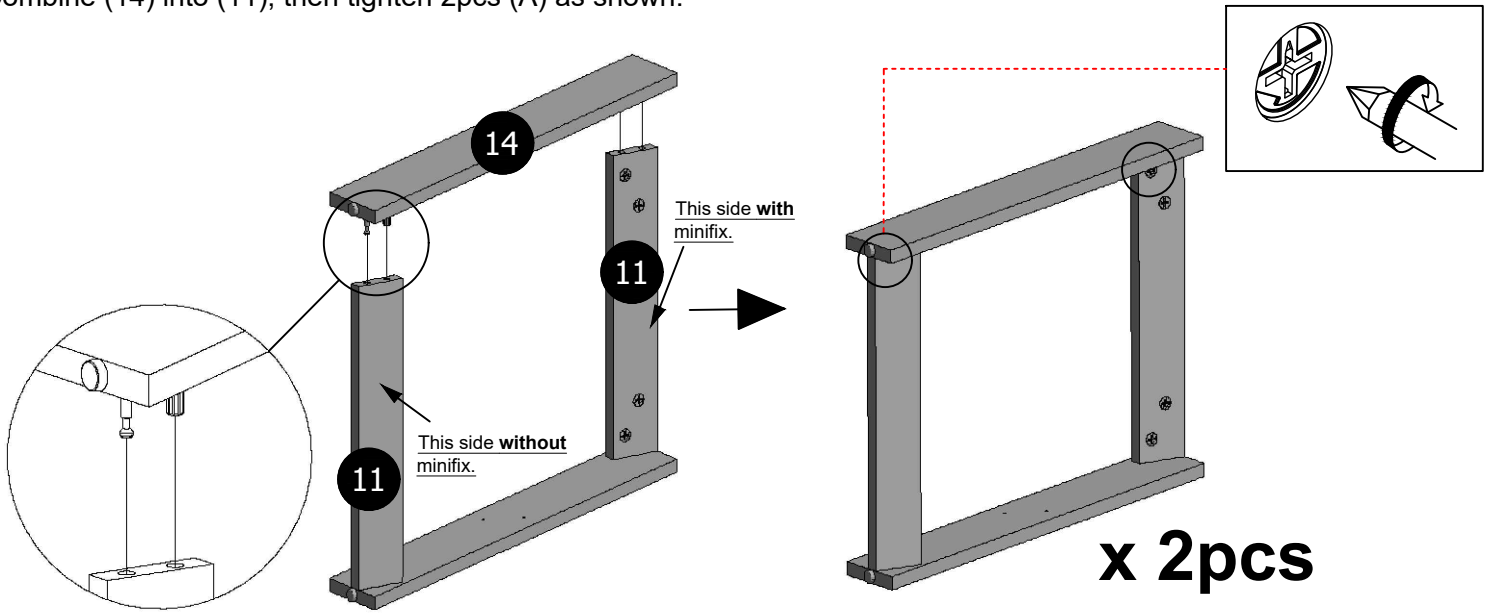
Combine (11) into (15), then tighten 2pcs (A) as shown.



ASSEMBLY INSTRUCTION

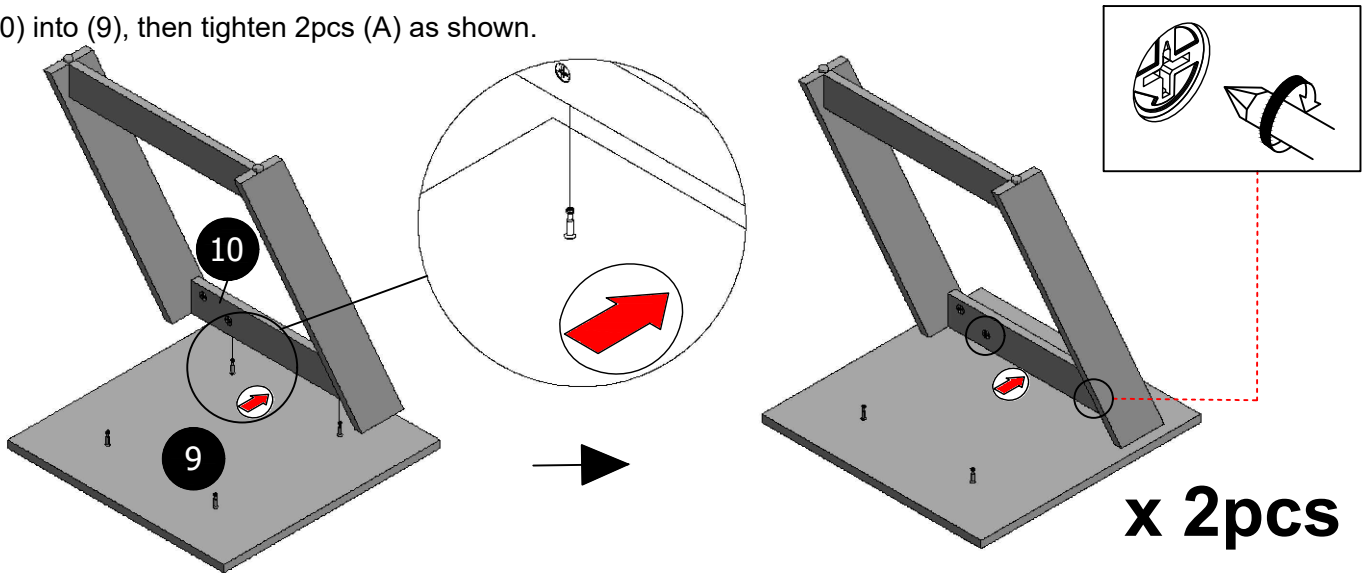
STEP 28

Combine (14) into (11), then tighten 2pcs (A) as shown.



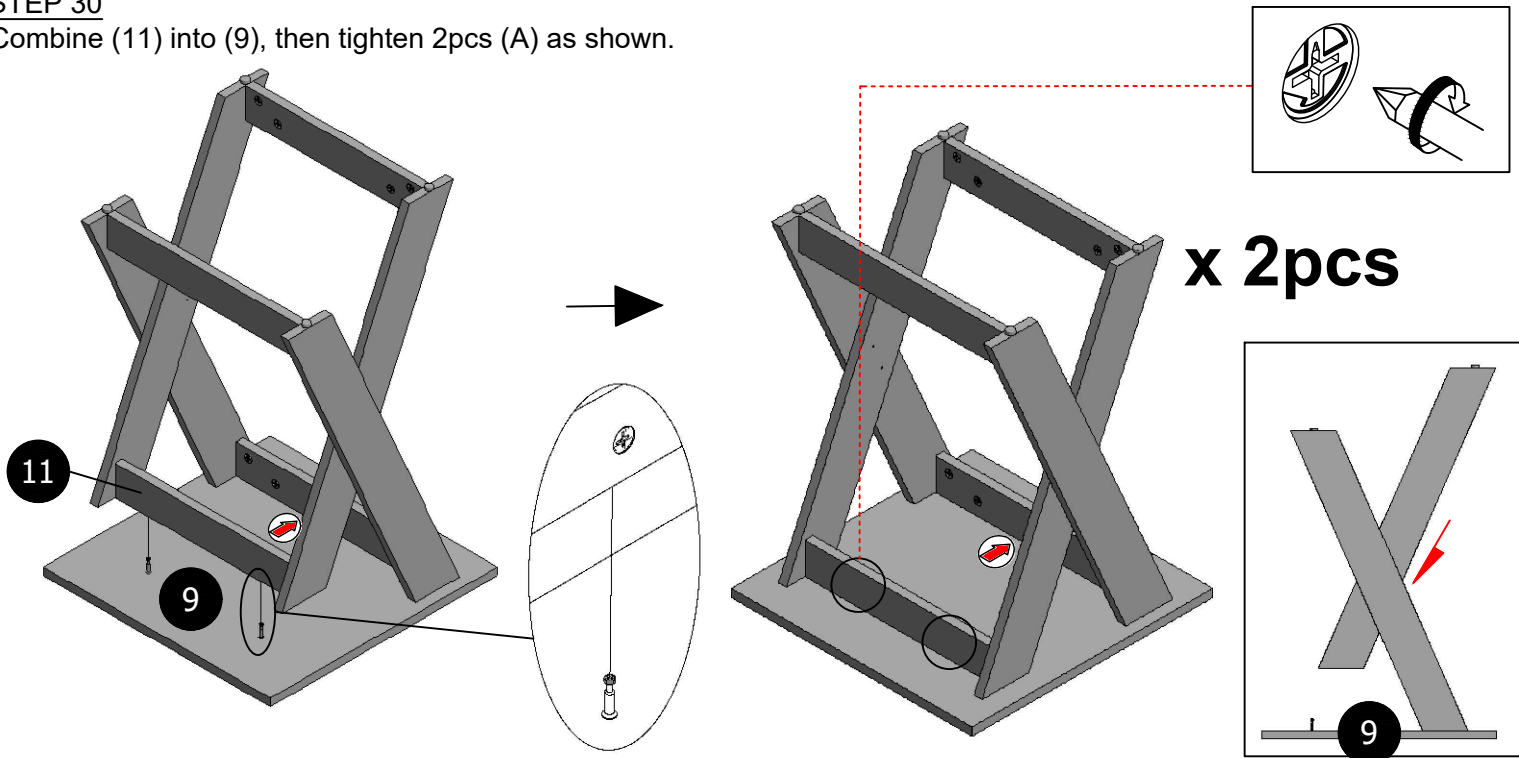
STEP 29

Combine (10) into (9), then tighten 2pcs (A) as shown.



STEP 30

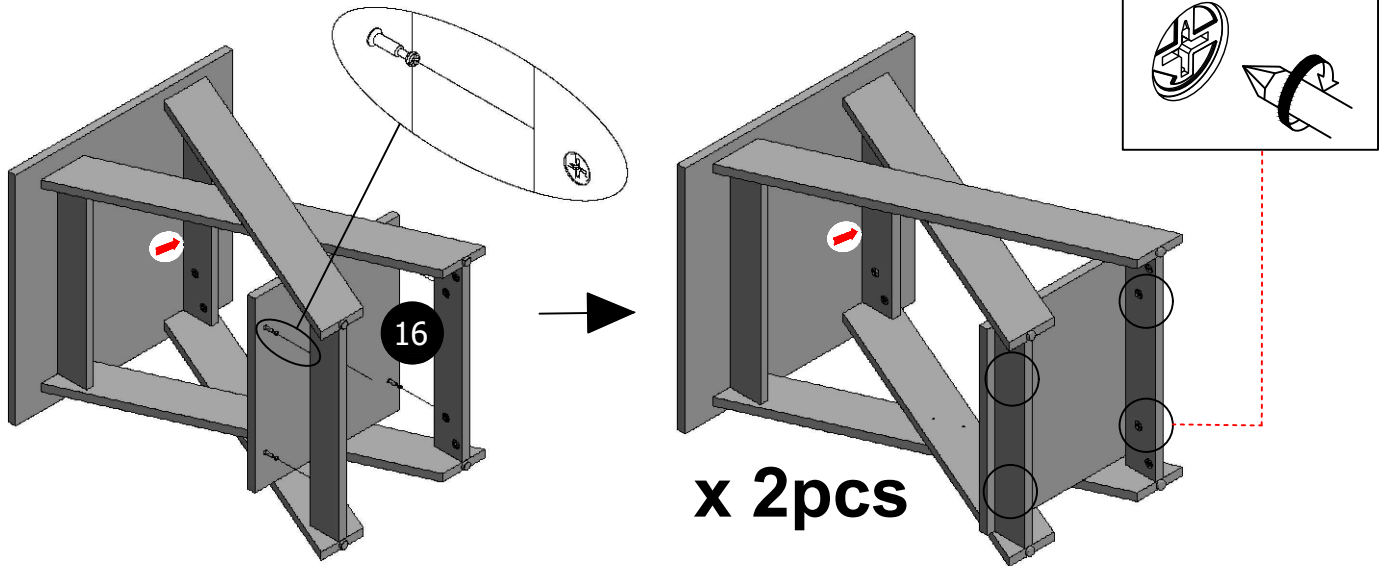
Combine (11) into (9), then tighten 2pcs (A) as shown.



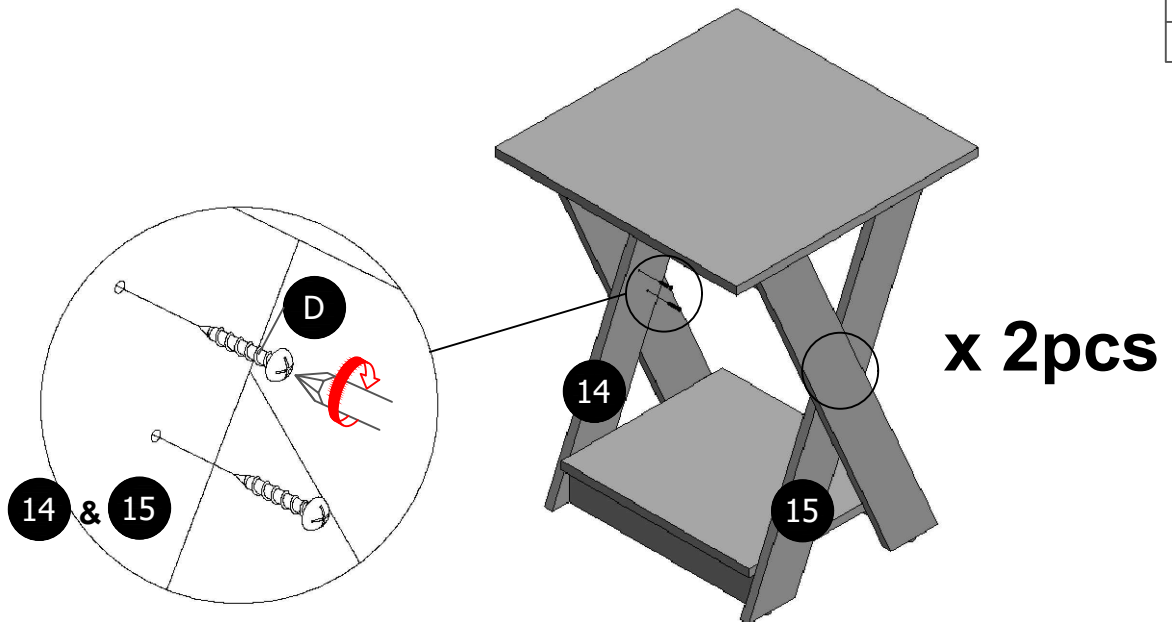
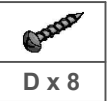
ASSEMBLY INSTRUCTION

STEP 31

Combine (16) into (10) & (11), then tighten 4pcs (A) as shown.



STEP 32



STEP 33

