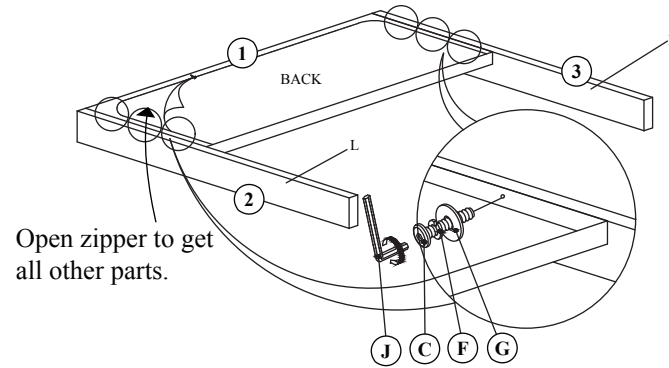


# ASSEMBLY INSTRUCTION

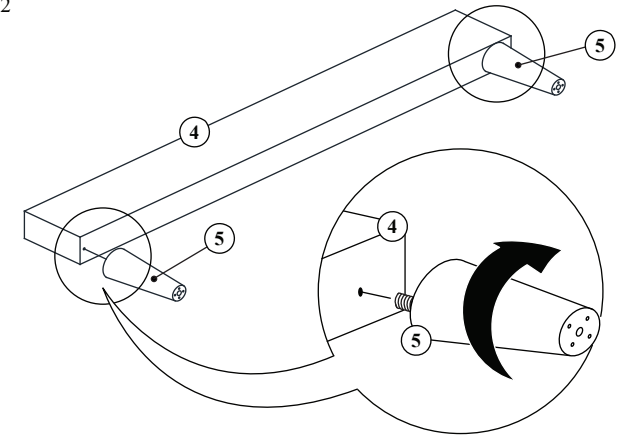
NO.	PART LIST	QTY
1	HEADBOARD CUSHION	1PC
2	LEFT WING	1PC
3	RIGHT WING	1PC
4	FOOTBOARD CUSHION	1PC
5	FOOTBOARD LEG	2PCS
6	SIDE RAIL (L/R)	2PCS
7	SIDE RAIL (L/R)	2PCS
8	SIDE RAIL LEG	2PCS
9	SLAT	2 SET

ITEM	HARDWARE	QTY
A	JCBB SCREW M8 x 20MM	4PCS
B	JCBC SCREW M6 x 25MM	8PCS
C	JCBC SCREW M6 x 35MM	6PCS
D	JCBC SCREW M8 x 50MM	4PCS
E	WOOD DOWEL M10 x 30	4PCS
F	SPRING WASHER M6 x 12MM	14PCS
G	FLAT WASHER M6 x 19MM	14PCS
H	SCREW M4 x 32MM	8PCS
I	L - KEY M5 x 65MM	1PC
J	L - KEY M4 x 100MM	1PC
K	SPRING WASHER M8 x 13MM	4PCS
L	FLAT WASHER M8 x 22MM	4PCS

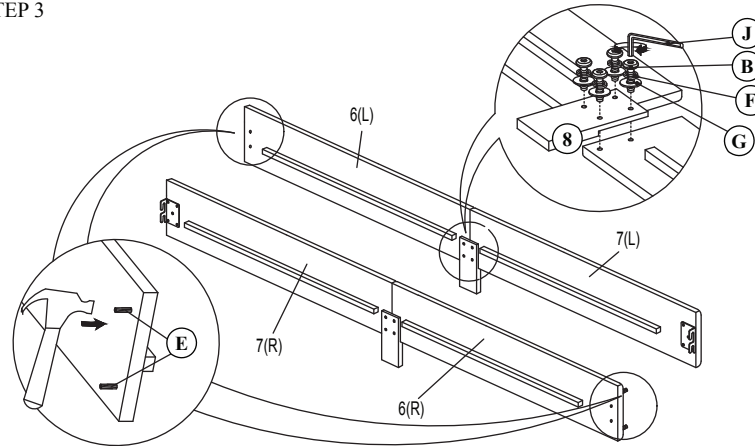
STEP 1



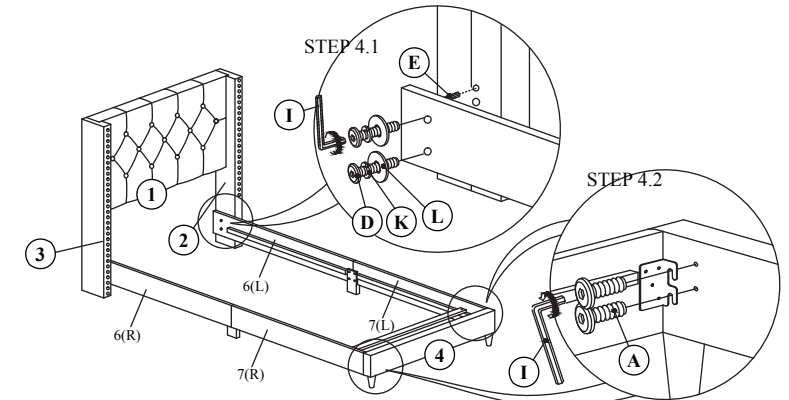
STEP 2



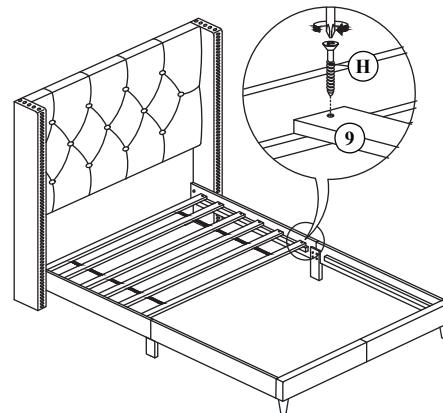
STEP 3



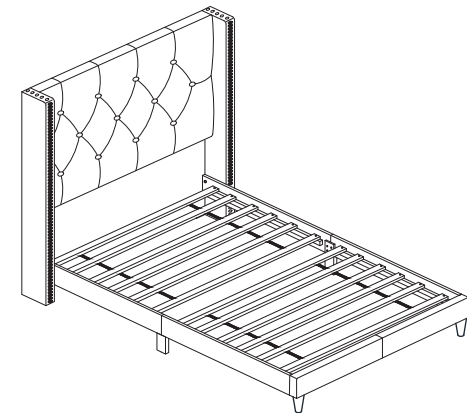
STEP 4



STEP 5



STEP 6



ASSEMBLY  
COMPLETED