

INSTALLA & ASSEMBLY

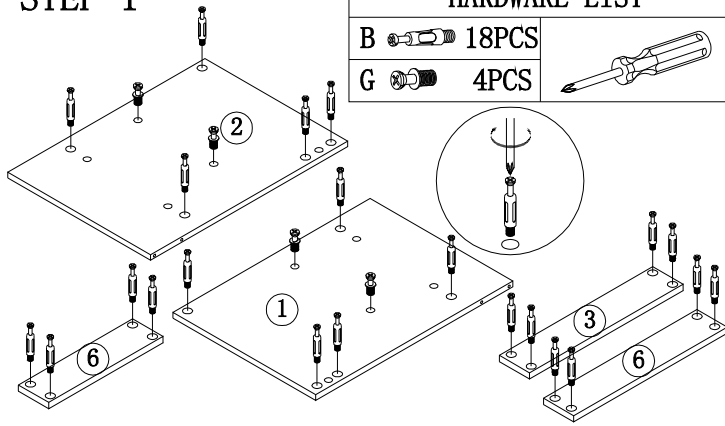
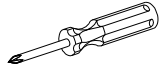
INSTALLATIONS

STEP 1

HARDWARE LIST

B  18PCS

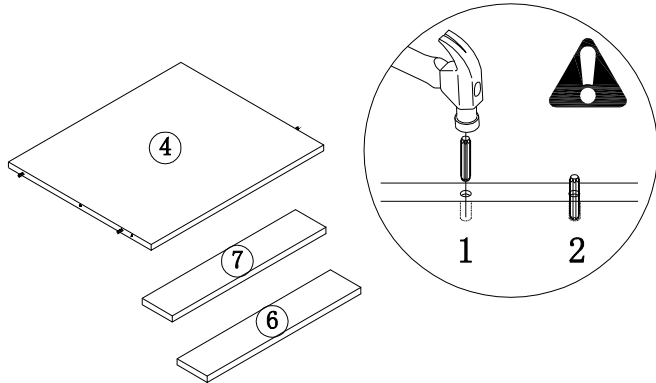
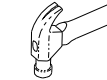
G  4PCS



STEP 2

HARDWARE LIST

D  8PCS

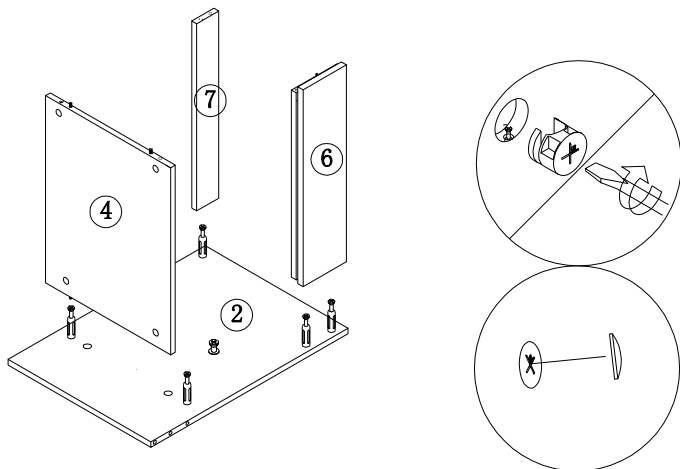
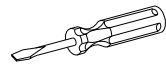


STEP 3

HARDWARE LIST

A  7PCS


C  7PCS

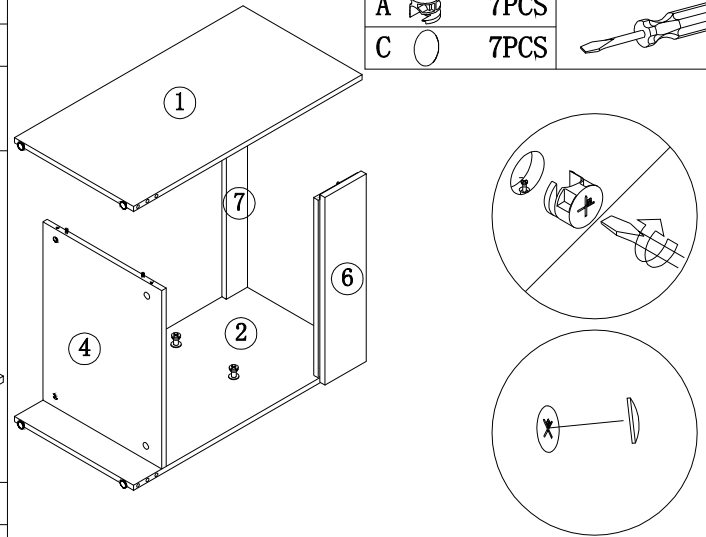
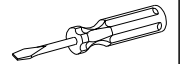


STEP 4

HARDWARE LIST

A  7PCS

C  7PCS

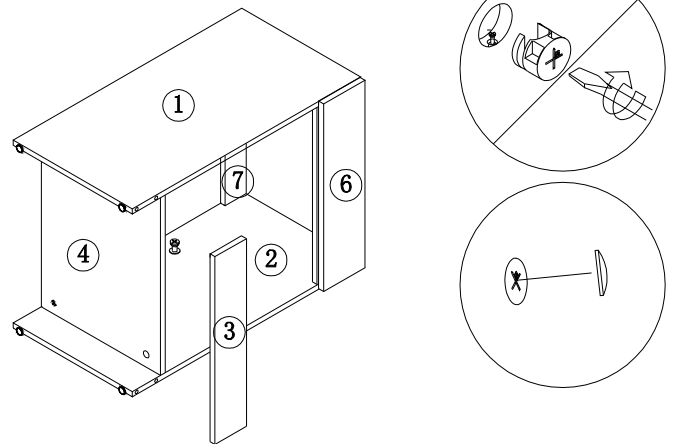
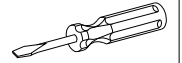


STEP 5

HARDWARE LIST

A  4PCS

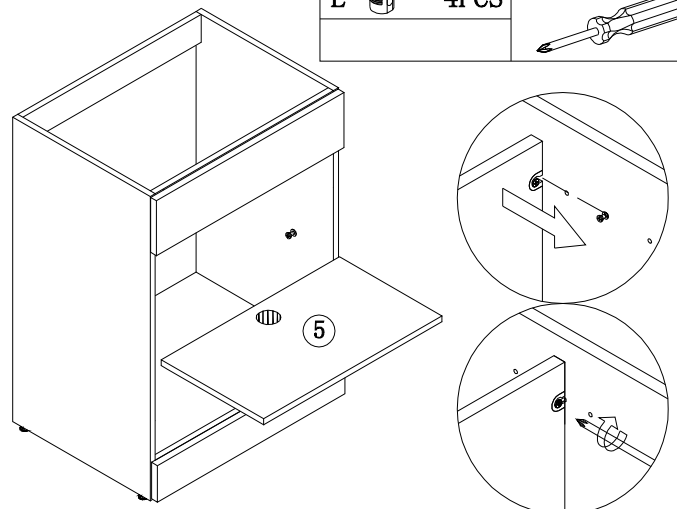
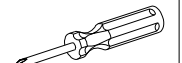
C  4PCS



STEP 6





HARDWARE LIST

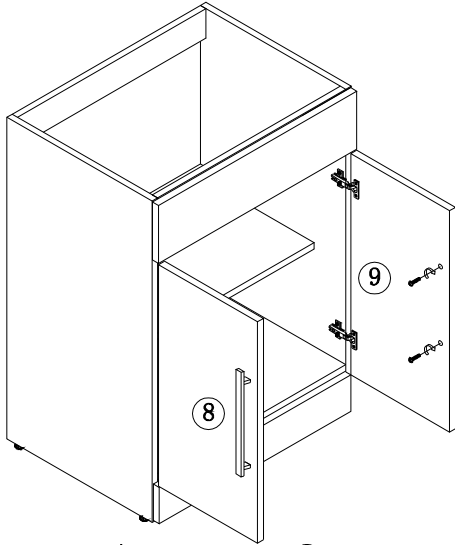
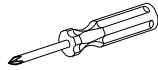
E  4PCS



STEP 7

HARDWARE LIST

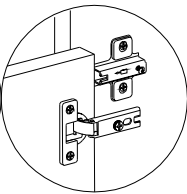
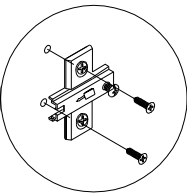
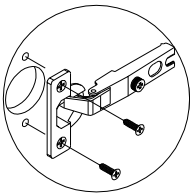
H		24PCS
J		2PCS
I		4PCS
F		4PCS



1

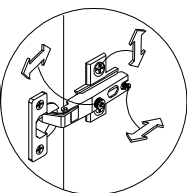
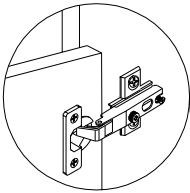
2

3

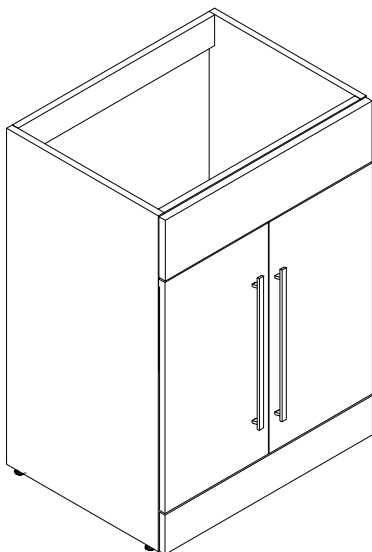


4

5



STEP 8



Choking hazard-Small Parts : This unit contains small parts, not for children under 3 years.

Tip-over hazard : Secure finished unit to wall stud using L-Bracket and wall screw (#10*1.5"W/out provided). If a wall stud is not neccessible ,Consault your local hardware store for appropriate mounting hardware . Failure to properly install will result in product collapse or tip-over. Serious injury can occur .