

# INSTALLATION INSTRUCTIONS

## LED Flush Mount

# MODERN FORMS

---

**CAUTION: TO PREVENT ELECTRICAL SHOCK, ENSURE ELECTRICITY HAS BEEN TURNED OFF AT THE CIRCUIT BREAKER BEFORE BEGINNING.**

- Read all instructions before installing.
- System is intended for installation by a qualified electrician in accordance with the National Electrical Code and local regulations.
- When handling the fixture, do not apply pressure to the LEDs. Hold the fixture by the base only.
- Retain installation instructions for future maintenance reference.

**WARNING:** All parts must be used as indicated in these instructions. This product is designed for use only with the supplied parts and/or accessories designated for use. Substitution of parts or accessories not designated for use with this product could result in personal injury or property damage, and will void the warranty. Contact an authorized dealer or the manufacturer if any parts are damaged or missing.

**MAINTENANCE NOTE:** Coastal conditions may cause mineral and residue build-up on the fixture. We recommend that customers in coastal areas clean all external surfaces of the fixture once every two weeks with a wet cloth.

**MISE EN GARDE: Pour éviter tout choc électrique, assurez-vous que le disjoncteur soit mis hors tension avant de commencer.**

- Lisez toutes les instructions avant l'installation.
- Le système doit être installé par un électricien licencié conformément au code national de l'électricité (NEC), et également aux règlements locaux.
- Lors de la manipulation du luminaire, n'appuyez pas sur. Tenez-le uniquement par la base.

**ATTENTION:** Toutes les pièces doivent être utilisées comme indiqué dans ces instructions. Ce produit est conçu pour être utilisé seulement avec les pièces et/ou accessoires fournis pour être utilisés avec les produits. Remplacer des pièces ou accessoires non conçus pour ce produit pourrait causer des dommages corporels ou matériels et pourrait également causer l'annulation de la garantie. Veuillez contacter un revendeur autorisé ou le fabricant si des pièces manquent ou sont endommagées.

**NOTE D'ENTRETIEN:** Les conditions côtières peut causer une accumulation de minéraux et de résidus sur le luminaire. Nous recommandons aux clients qui résident dans les zones côtières de nettoyer toutes les surfaces externes du luminaire une fois toutes les deux semaines avec un chiffon humide.

---

**HARDWARE****A**

Wire Connector  
Qty: 3pcs+1Extra

**B**

Mounting Screw  
Qty: 1 Extra

**C**

Wood Screw  
Qty: 3pcs+1Extra

**D**

Plastic Anchor  
Qty: 3pcs+1Extra

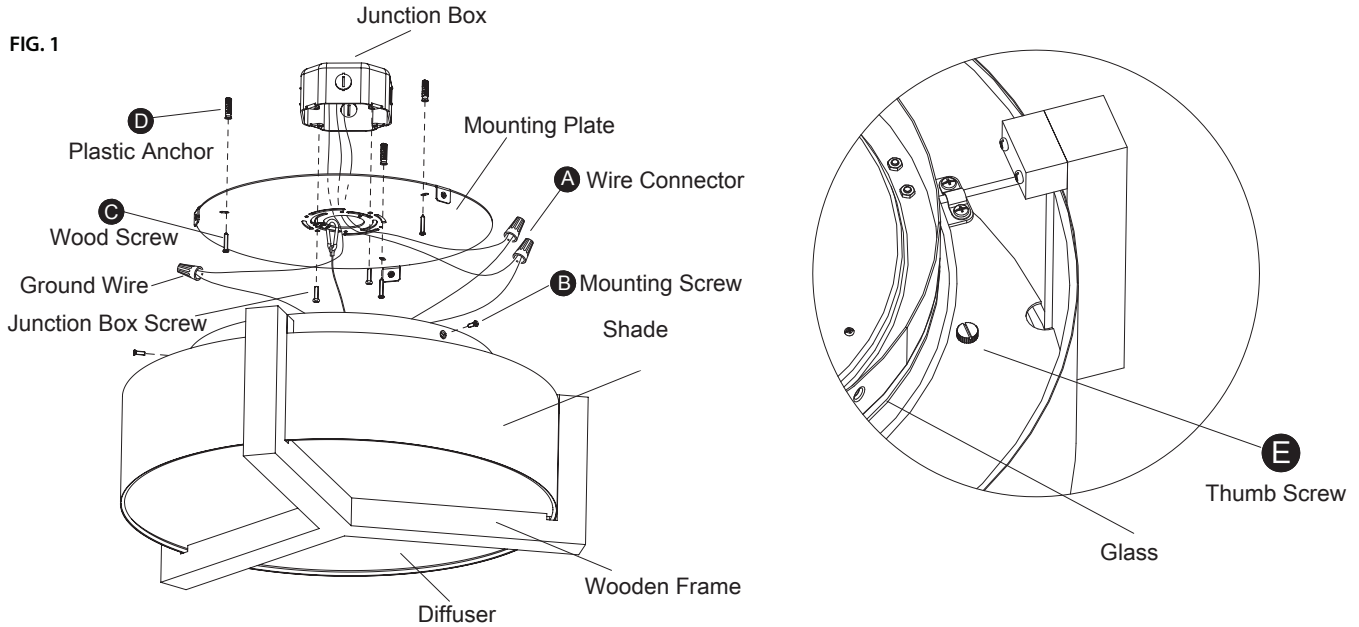
**E**

Thumb Screw  
Qty: 3pcs+1Extra

# INSTALLATION INSTRUCTIONS

## LED Flush Mount

# MODERN FORMS



### PREPARATION

1. Shut off the power at the circuit breaker and remove existing fixture, including the crossbar.
2. Carefully unpack your new fixture and lay out all the parts on a clear area. Be careful not to lose any small parts necessary for installation.

### MOUNTING THE FIXTURE (Fig. 1)

3. Remove the mounting screw (B) and back plate from the fixture.
4. Drill holes in the wall aligned with the waist holes located in the mounting back plate, insert the plastic anchors (D).
5. Secure the mounting plate to the junction box using the screws provided with the junction box. Fasten it to the wall using wood screws (C).  
**NOTE:** The side of the mounting plate marked "GND" must face out.
6. Adjust the position of the diffuser plate to ensure that the diffuser plate is placed on the wooden frame. Rotate the cloth lamp shade so that the through-hole of the diffuser plate is aligned with the screw holes on the wooden frame. Install thumb screws (E).
7. Hook the safety cords to the mounting plate.

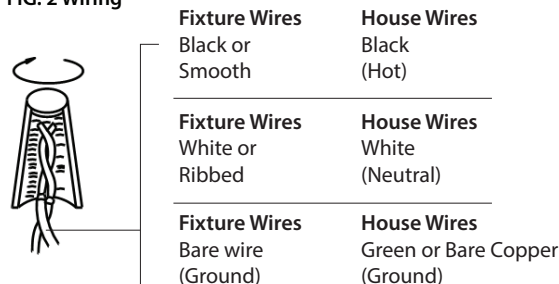
### CONNECTING THE WIRES (Fig. 2)

8. Connect the fixture's wires to the junction box wires as shown (Fig. 2). Make sure that all wire connectors (A) are secure. If your outlet box has a green or bare copper ground wire, connect the fixture's ground wire to it. Otherwise, connect the fixture's ground wire directly to the back plate using the green screw provided. After wires are connected, tuck them carefully inside the junction box.

### CONNECTING THE WIRES (Fig. 2)

9. Secure the fixture to the mounting back plate using the mounting screw (B).

FIG. 2 Wiring



### Back Plate Dimensions

