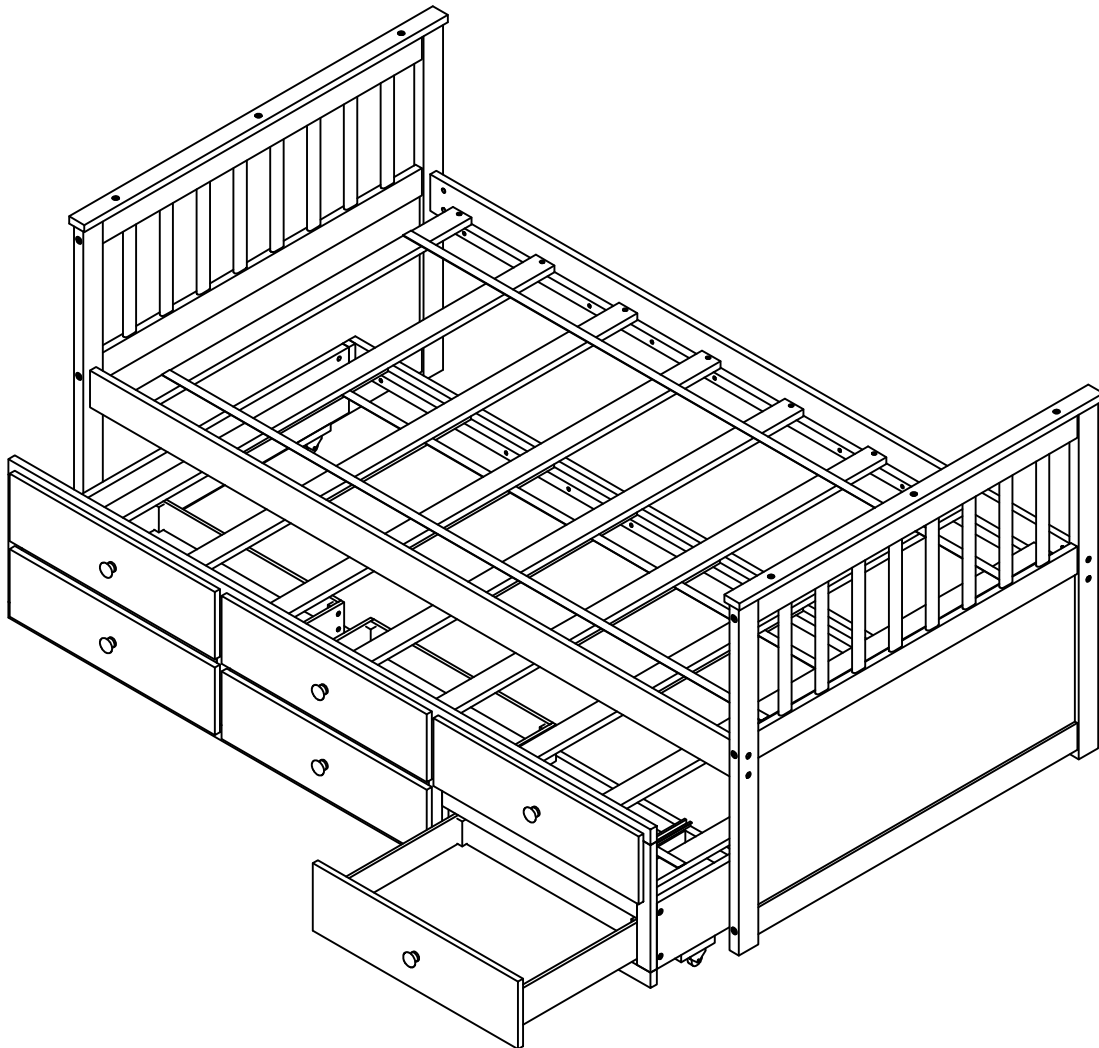


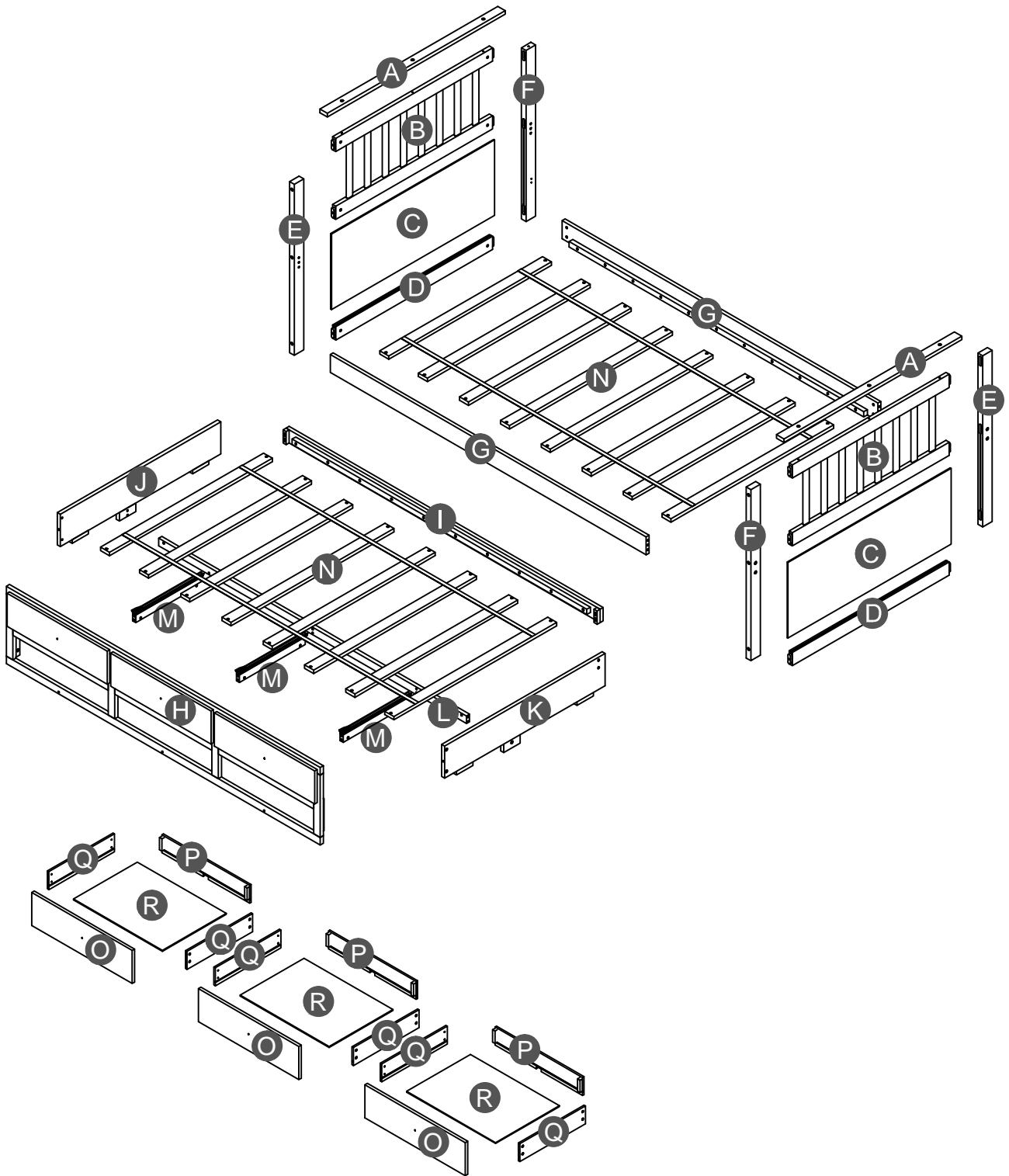
ASSEMBLY INSTRUCTIONS

CAPTAINS BED WITH TRUNDLE

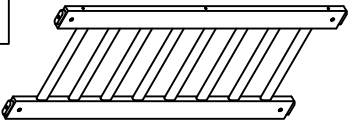





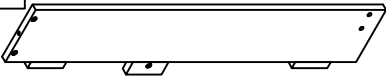


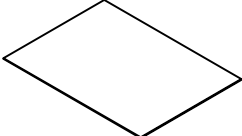

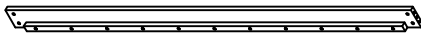


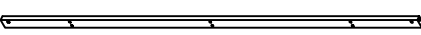
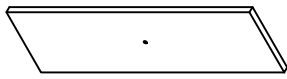

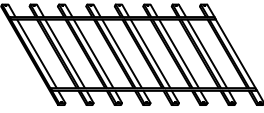


This set is included 2 boxes if don't receive full 2 boxes please contact our customer service team.

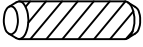
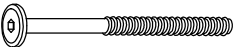
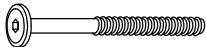
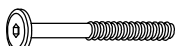













Detail View



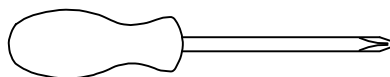
Part List

<p>B</p>  <p>HB & FB - 2pcs</p>	<p>C</p>  <p>Side panel - 2pcs</p>	<p>D</p>  <p>Horizontal bar - 2pcs</p>
<p>E</p>  <p>Leg HB & FB (Left) - 2pcs</p>	<p>F</p>  <p>Leg HB & FB (Right) - 2pcs</p>	<p>J</p>  <p>Left side panel of trundle -1pc</p>
<p>K</p>  <p>Right side panel of trundle -1pc</p>	<p>M</p>  <p>Support drawer -3pcs</p>	<p>Q</p>  <p>Left / right drawer panel - 6pcs</p>
<p>R</p>  <p>Drawer bottom - 3pcs</p>		
<p>A</p>  <p>Cap for HB & FB - 2pcs</p>	<p>G</p>  <p>Side rail(Back & Front)-2pcs</p>	<p>H</p>  <p>Front panel - 1pc</p>
<p>I</p>  <p>Back panel side rail of trundle -1pc</p>	<p>L</p>  <p>Support rail of trundle -1pc</p>	<p>O</p>  <p>Front drawer panel - 3pcs</p>
<p>P</p>  <p>Back drawer panel - 3pcs</p>	<p>N</p>  <p>Slats - 2set (8pcs/set)</p>	

Hardware List



1  Ø8*30mm Wood dowel (8pcs)	2  (Ø15)1/4"*100mm Hex-Head bolts (12pcs)	3  (Ø15)1/4"*80mm Hex-Head bolts (12pcs)
4  (Ø12)1/4"*60mm Hex-Head bolts (8pcs)	5  (Ø12)1/4"*30mm Hex-Head bolts (4pcs)	6  1/4"*15 (9.5mm) Horizontal-Hole bolts(32pcs)
7  Ø38*31mm Pine Knob (6pcs)	8  3/16"*25mm Ph zinc(Knob) (3pcs)	9  3/16"*30mm Ph zinc(Knob) (3pcs)
10  400*30mm Upper slider drawer (3pcs)	11  (1/4")4.5*58mm Allen key (1pc)	12  45*20*35mm Caster (4pcs)
13  Ø3.5*19mm Wood screws (24pcs)	14  (Ø12)1/4"*40mm Wood screws (6pcs)	15  Ø4*30mm Wood screws (32pcs)
16  Ø3.5*12mm Wood screws (9pcs)	17  Ø3*19mm Wood screws (8pcs)	

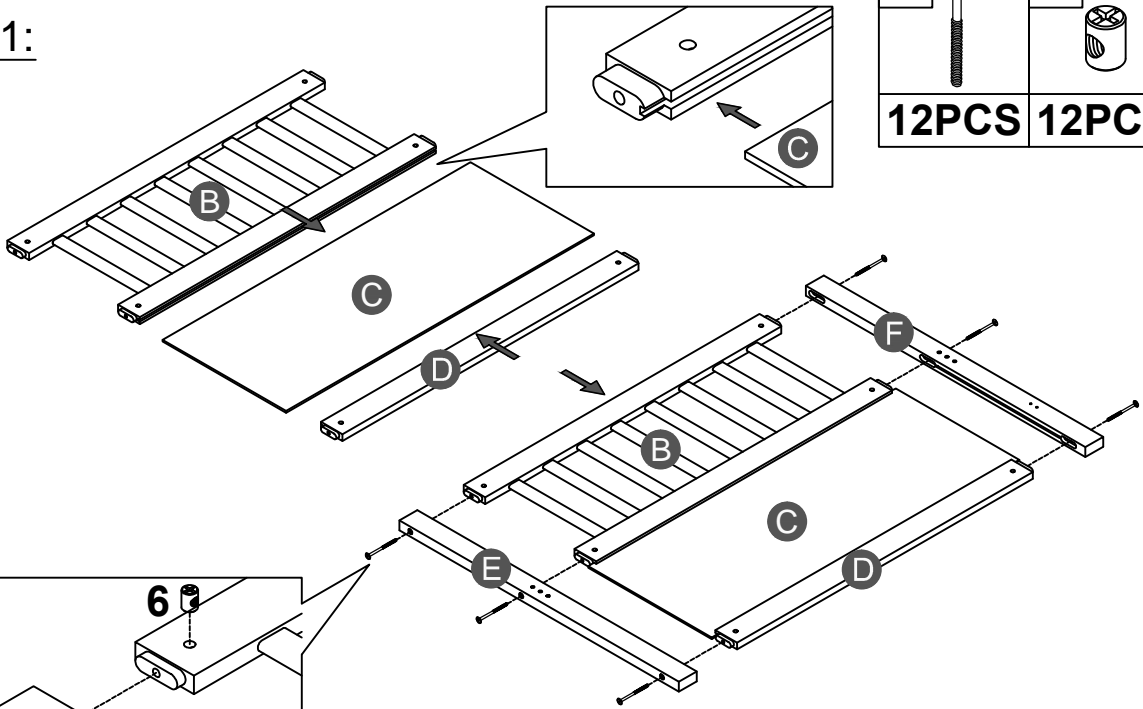
ASSEMBLY TOOLS REQUIRED (NOT INCLUDED)



PLEASE BE CAREFUL DO NOT DAMAGE THE HOLE POSITION WHEN YOU USE POWER TOOLS !

STEP 1:


2		6	
12PCS		12PCS	

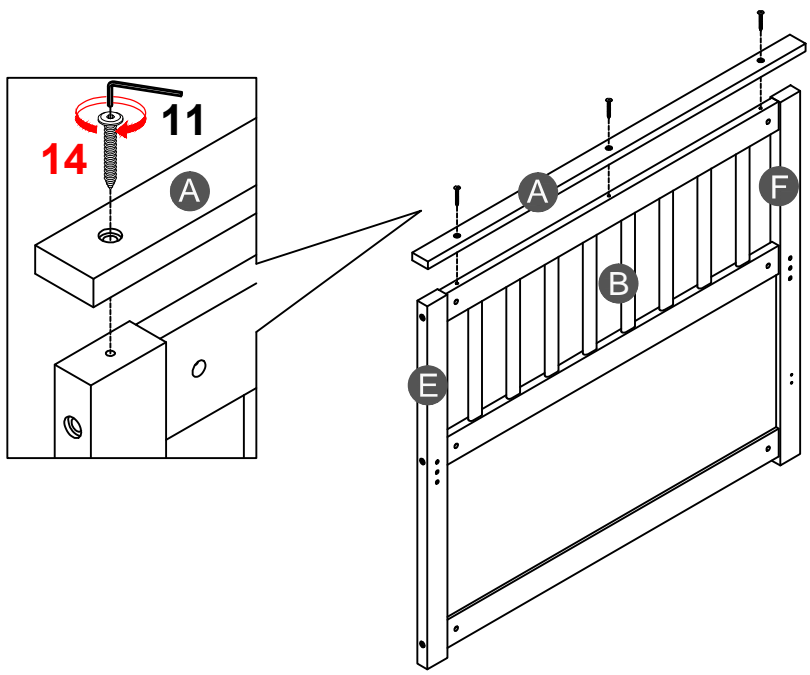


11

x2




STEP 2:

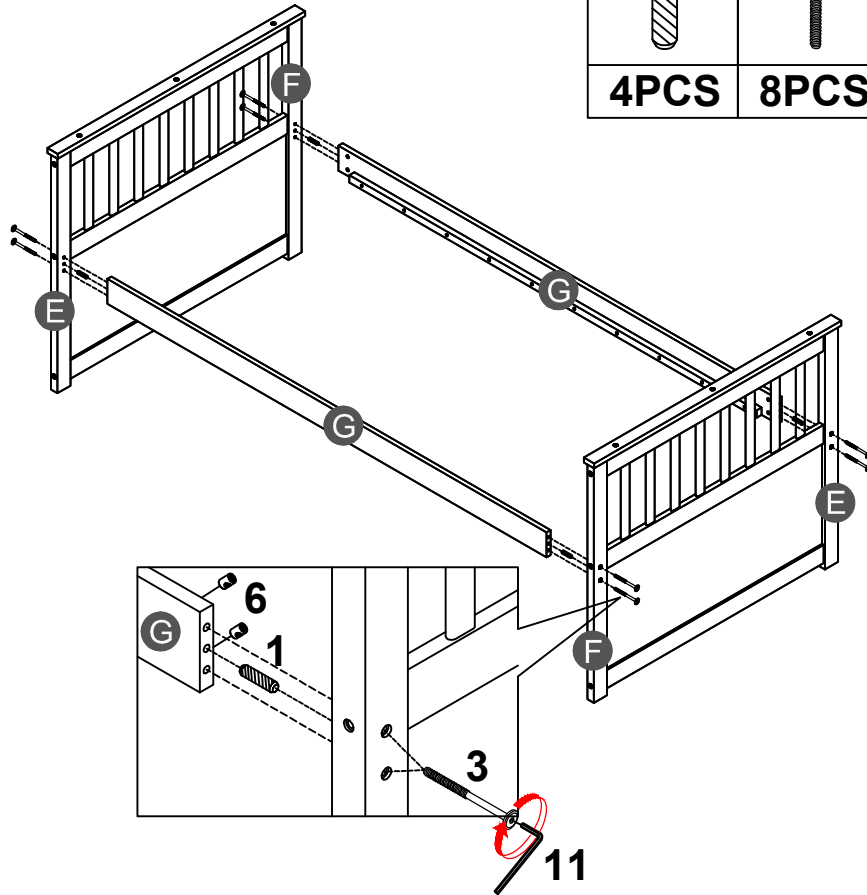
14	
6PCS	




x2

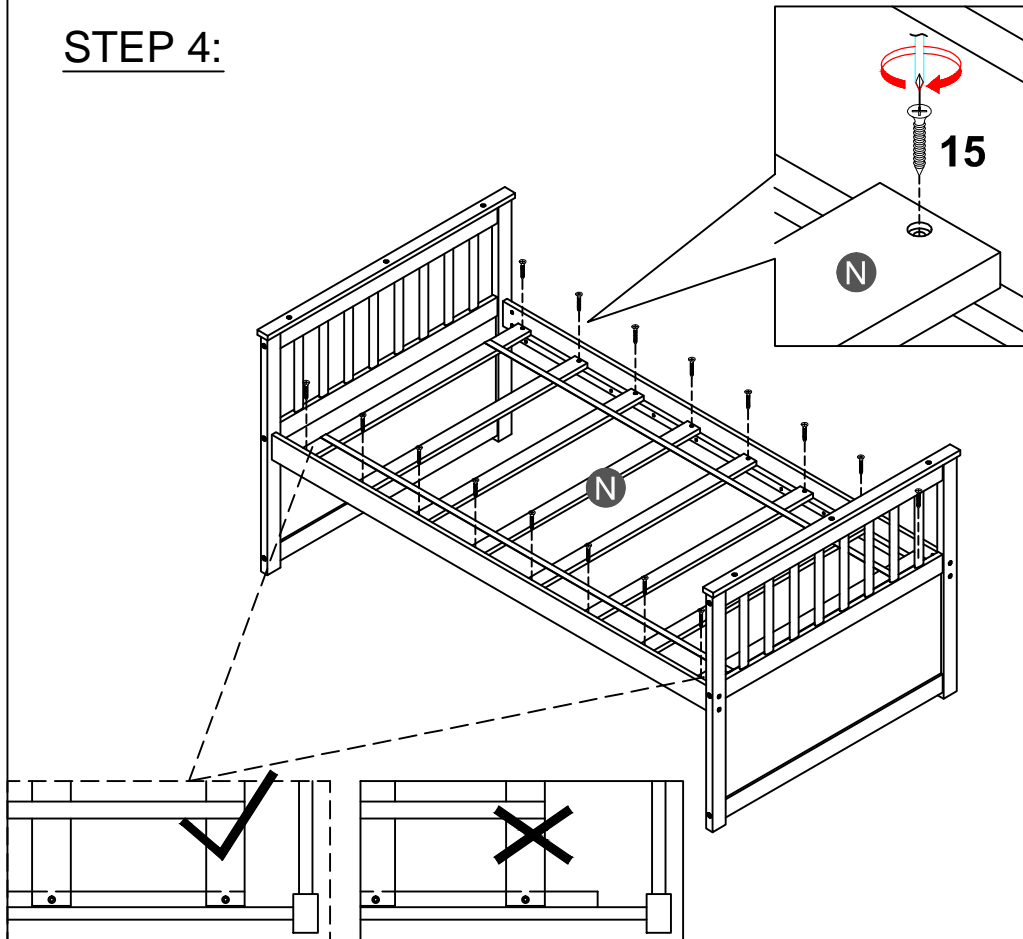
STEP 3:

1 	3 	6 
4PCS	8PCS	8PCS





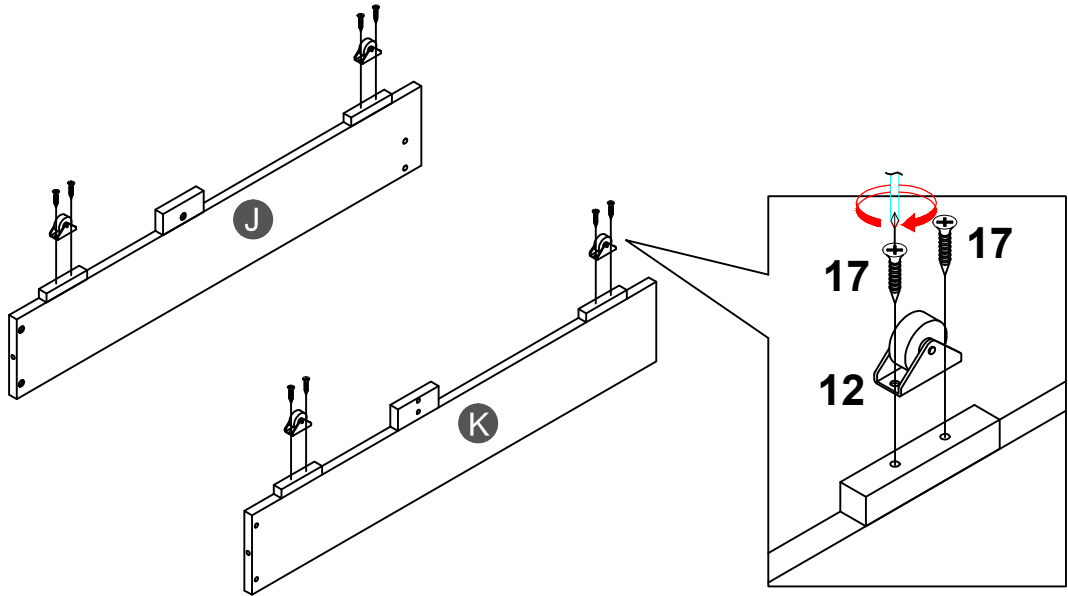
STEP 4:

15 
16PCS


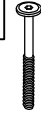




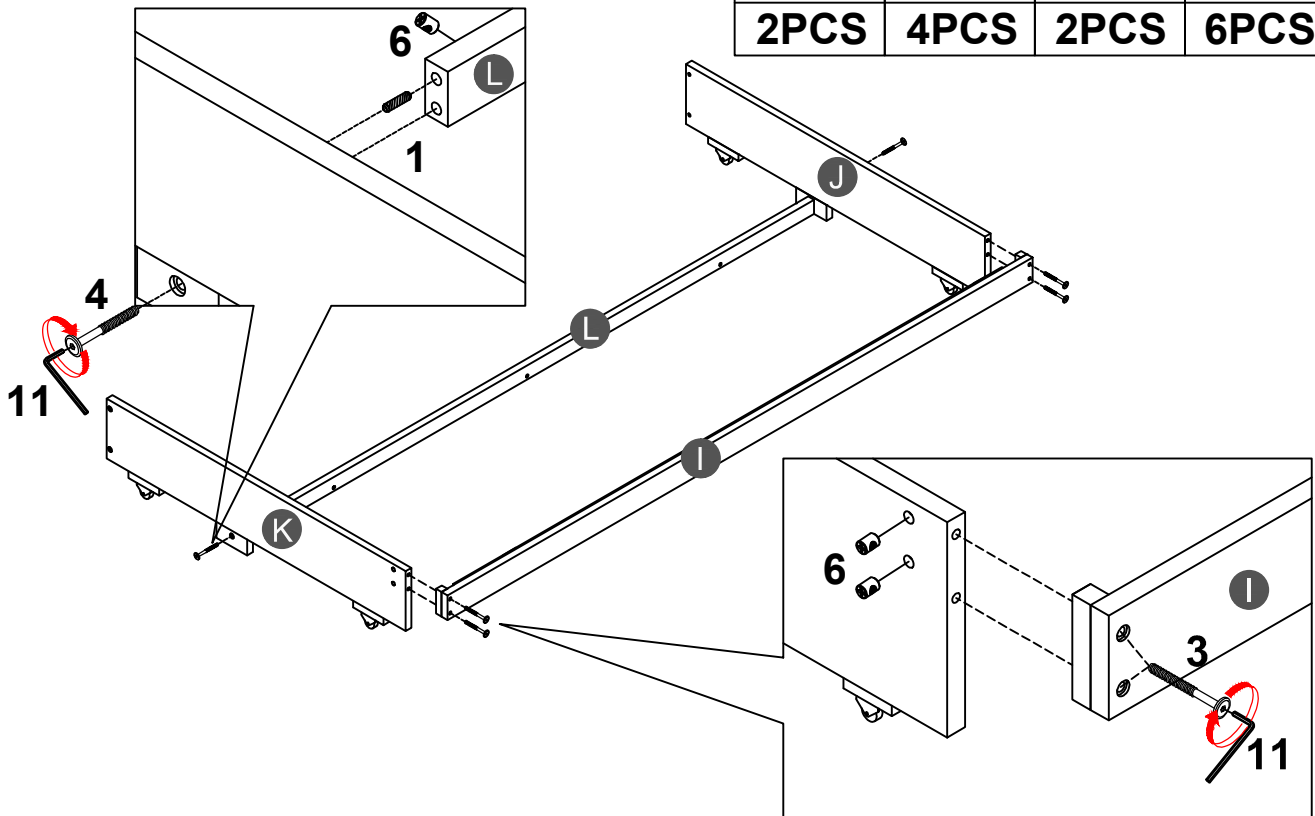
STEP 5:

12	17
	
4PCS	8PCS





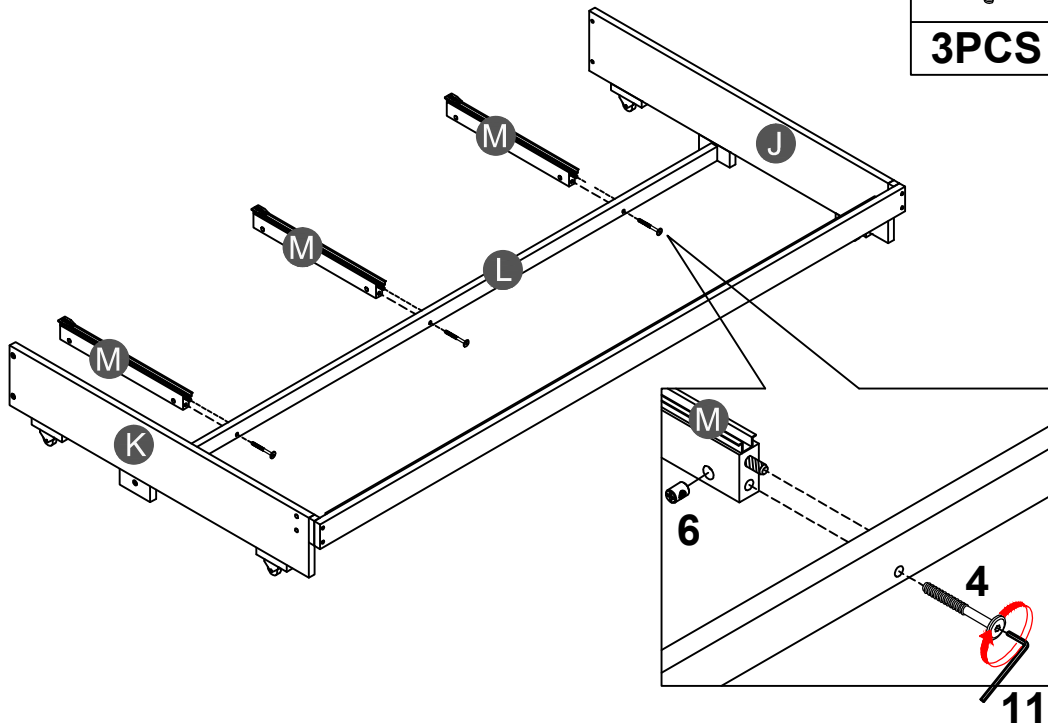
STEP 6:

1	3	4	6
			
2PCS	4PCS	2PCS	6PCS







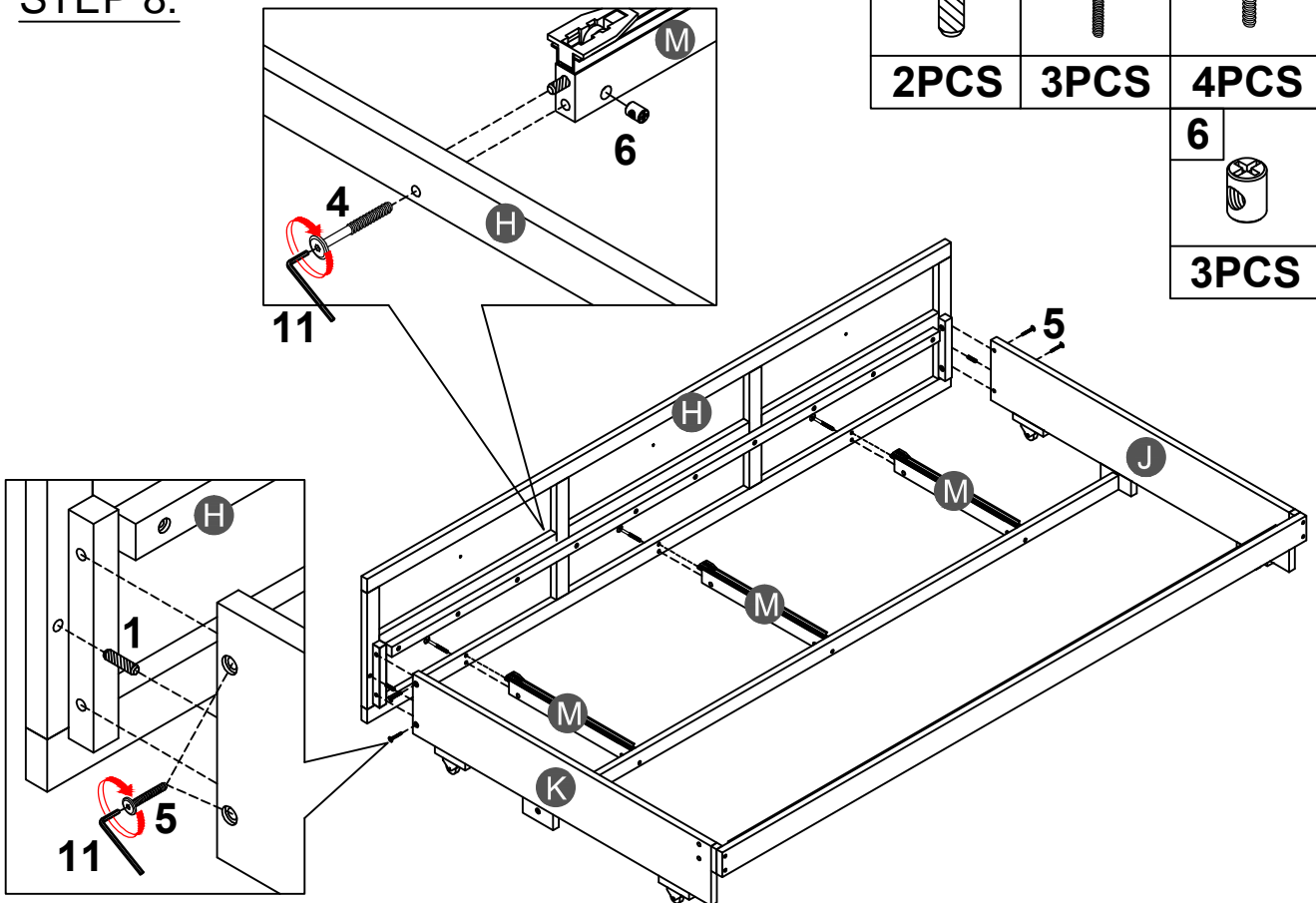
STEP 7:

4		6	
3PCS		3PCS	



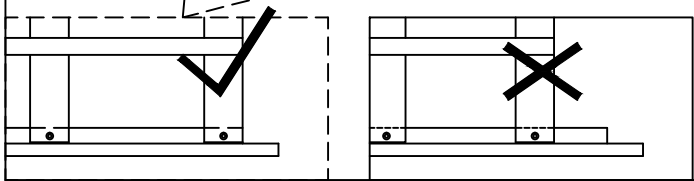
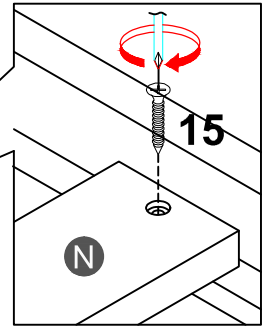
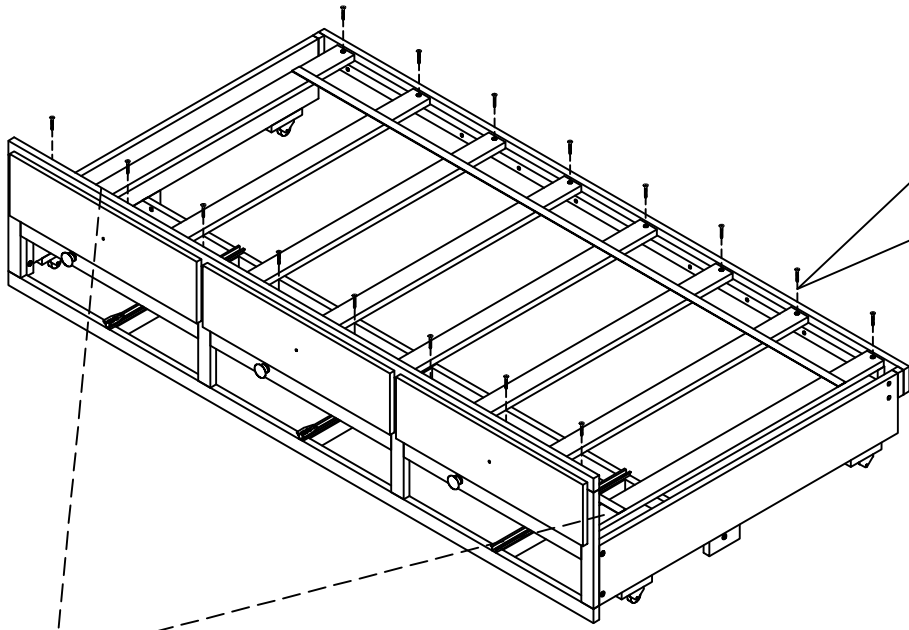
STEP 8:

1		4		5	
2PCS		3PCS		4PCS	
				6	
				3PCS	



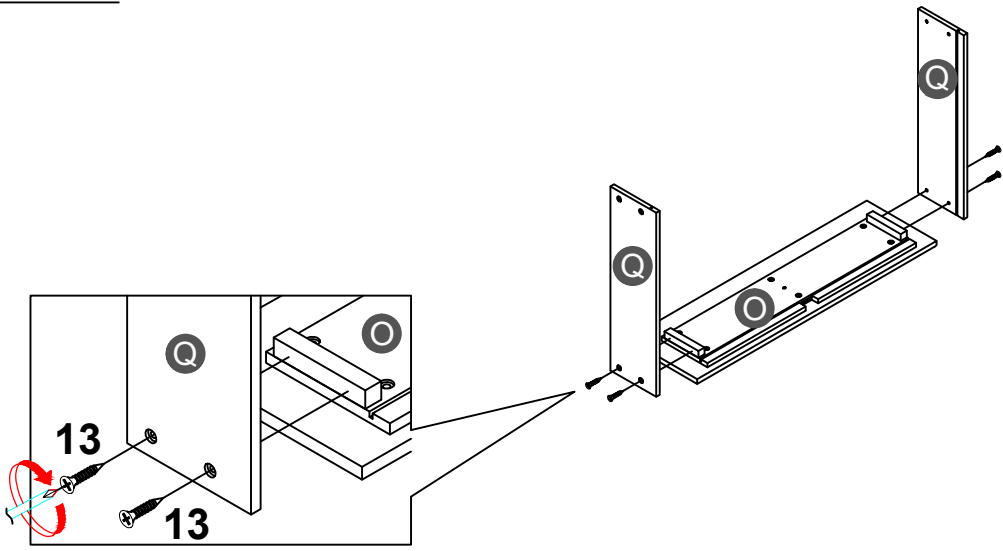
STEP 9:

15
16PCS




STEP 10:

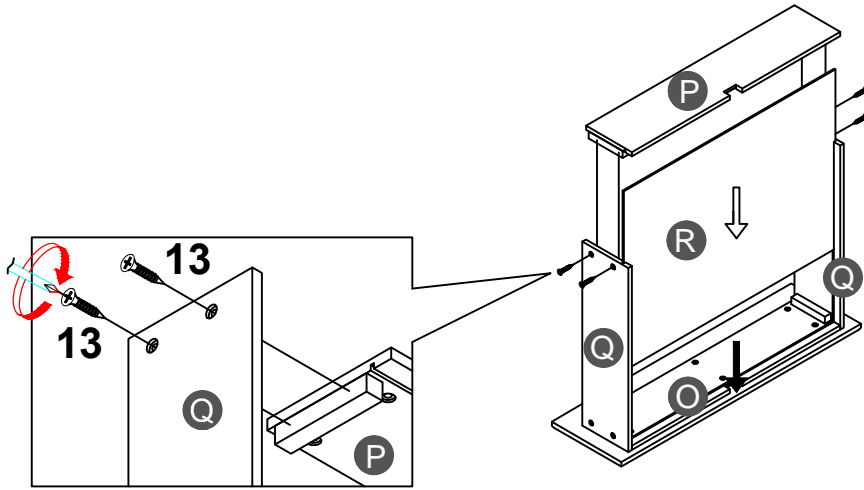
13
12PCS



3 PCS



STEP 11:

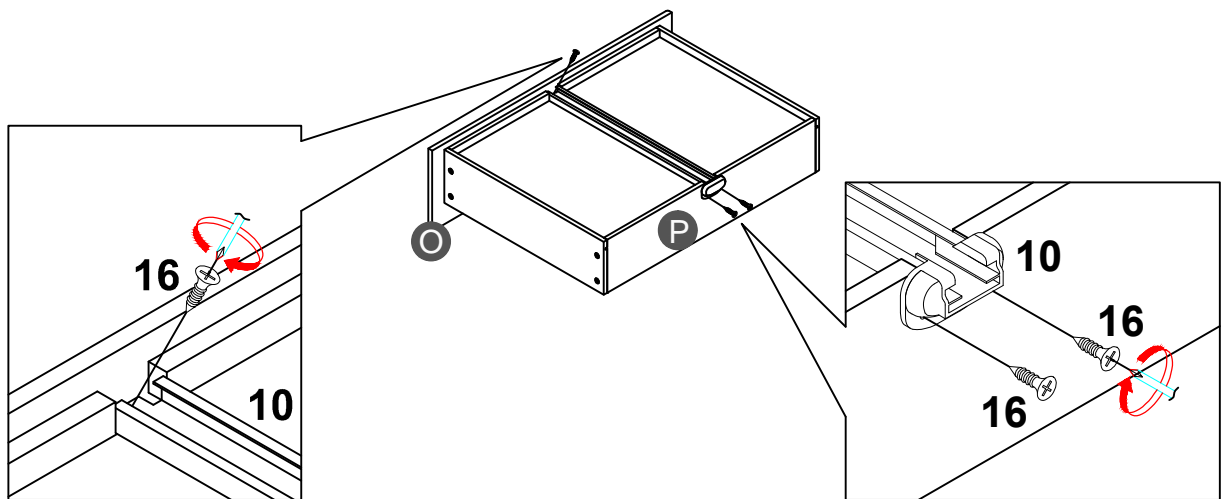
13	
12PCS	



3 PCS

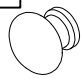

STEP 12:

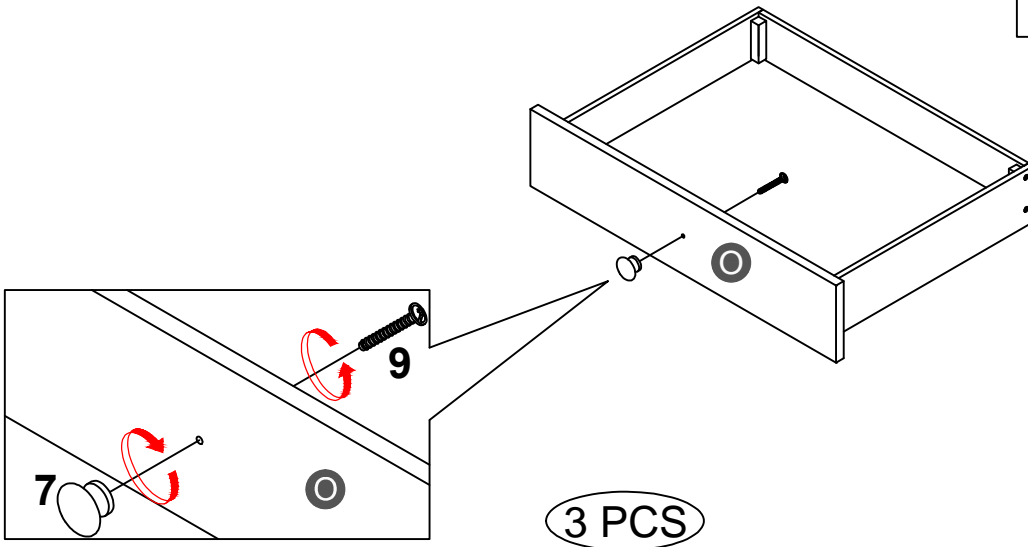
10	16
	
3PCS	9PCS



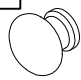

3 PCS

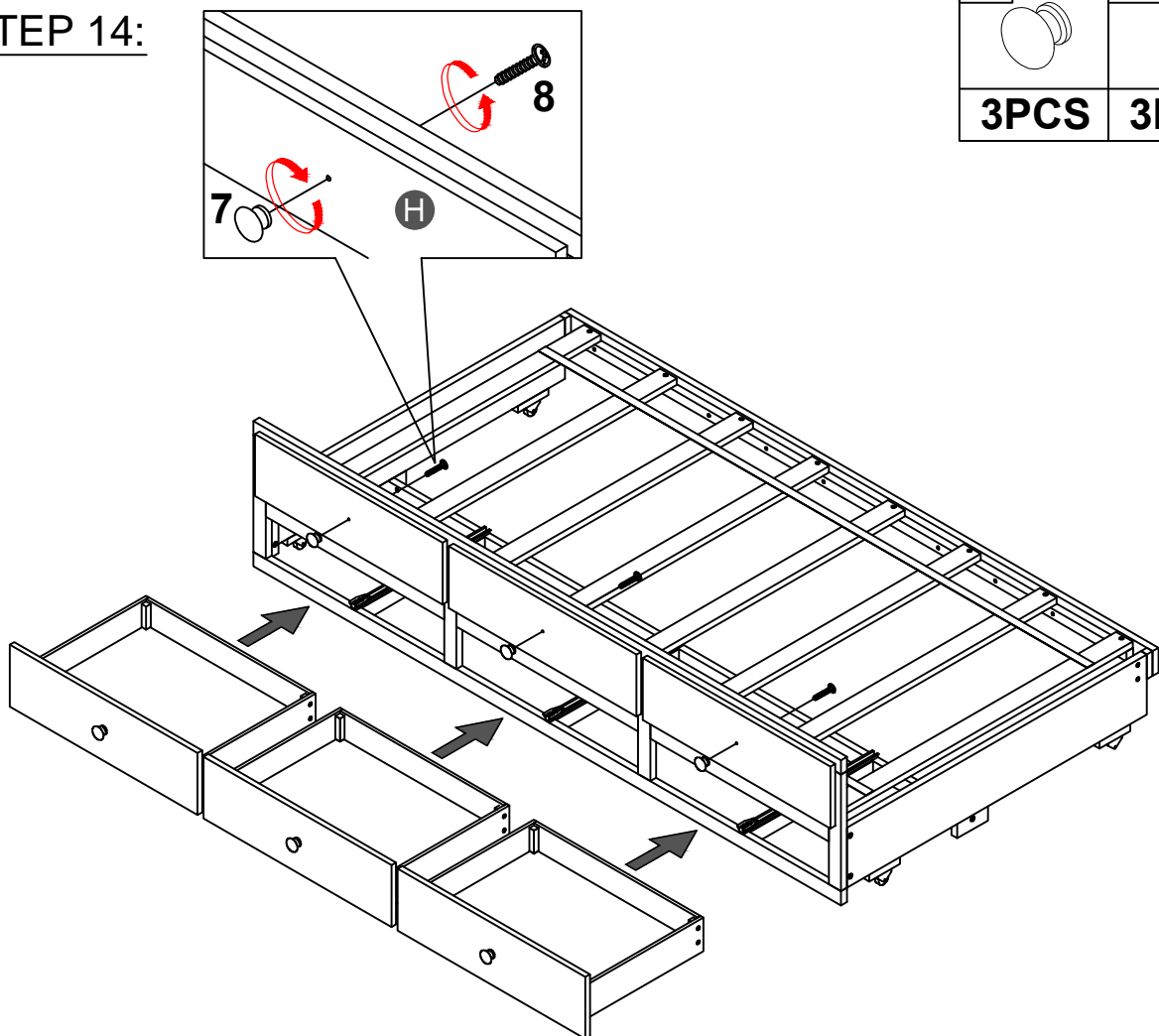
STEP 13:

7		9	
3PCS		3PCS	

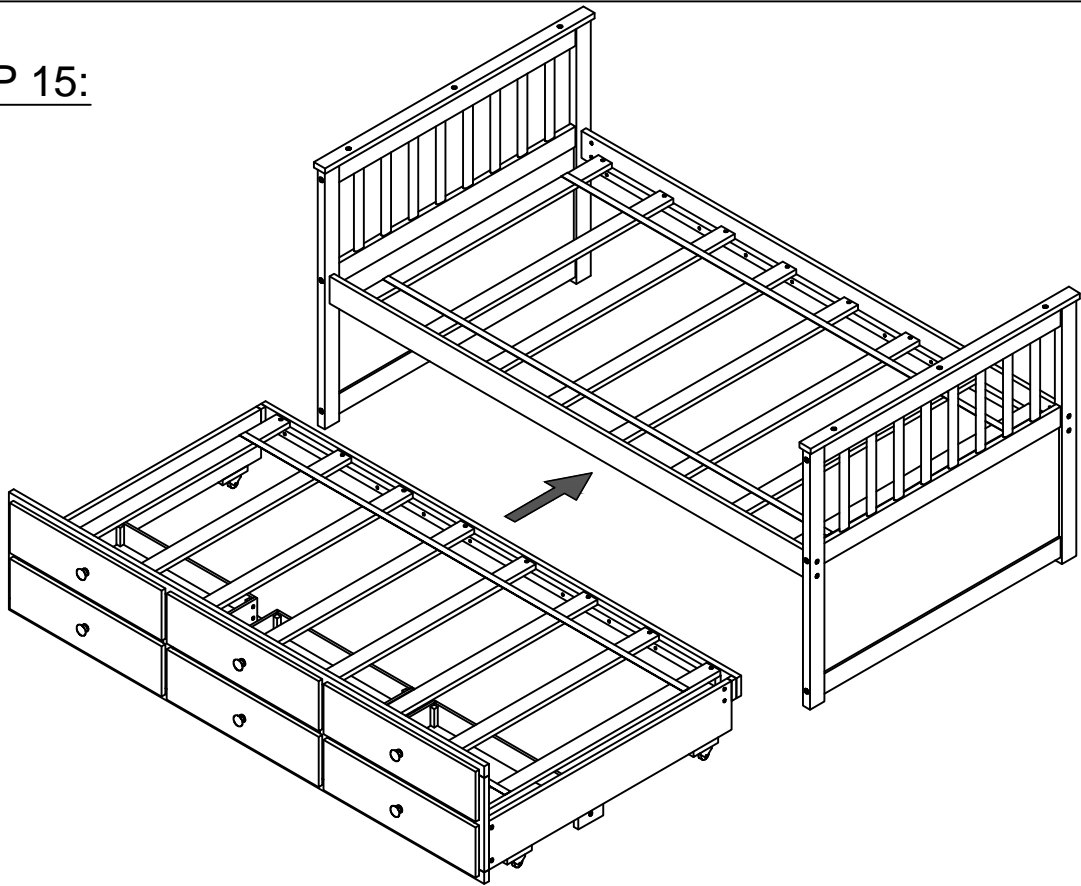


STEP 14:

7		8	
3PCS		3PCS	



STEP 15:



Push Trundle under the bottom of Twin bed.

