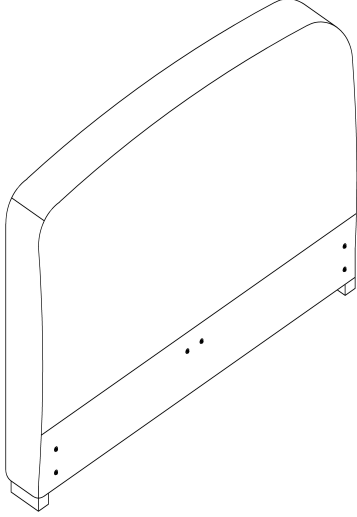


UPHOLSTERED BED QUEEN ASSEMBLY INSTRUCTIONS







BOX# 1

A. HEADBOARD PANEL

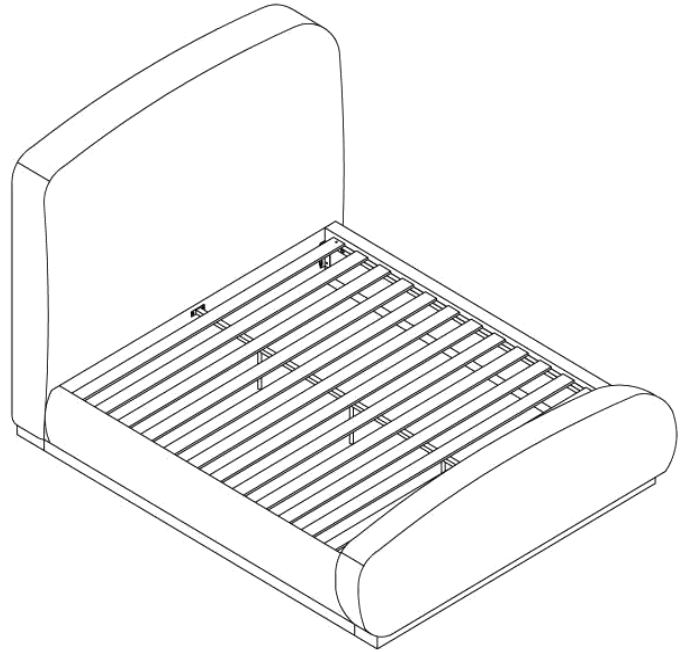
1 PC



HARDWARE KIT PACKED IN BOX #2

1	ALLEN BOLT (8x70mm)		6 PCS
2	ALLEN BOLT (6x40mm)		3 PCS
3	PHILLIPS SCREW (7x35mm)		4 PCS
4	FLAT WASHER (8mm)		6 PCS
5	FLAT WASHER (6mm)		3 PCS
6	ALLEN KEY (5mm)		1 PC

FULLY ASSEMBLED



BOX# 2

B. LEFT SIDE RAIL 1 PC

C. RIGHT SIDE RAIL 1 PC

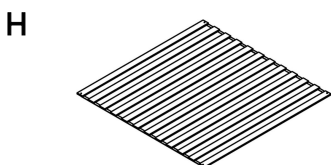
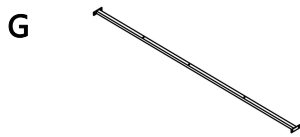
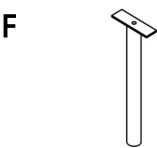
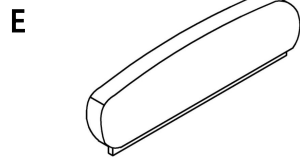
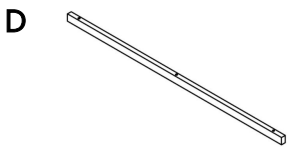
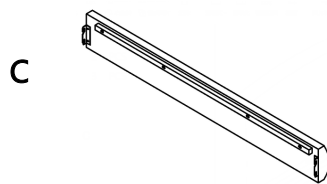
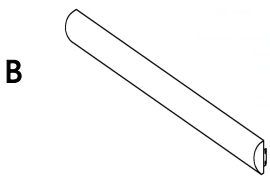
D. SIDE RAIL FRAME 2 PCS

E. FOOTBOARD 1 PC

F. SUPPORT LEG 3 PCS

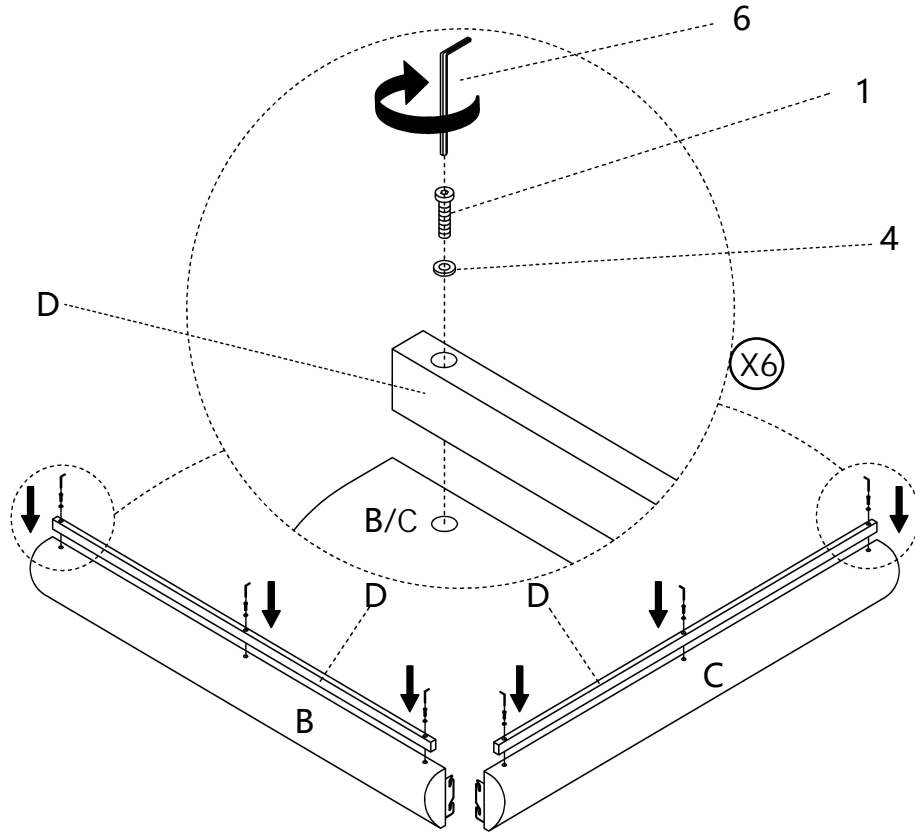
G. CENTER SLAT SUPPORT 1 PC

H. SLAT ROLL 1 SET

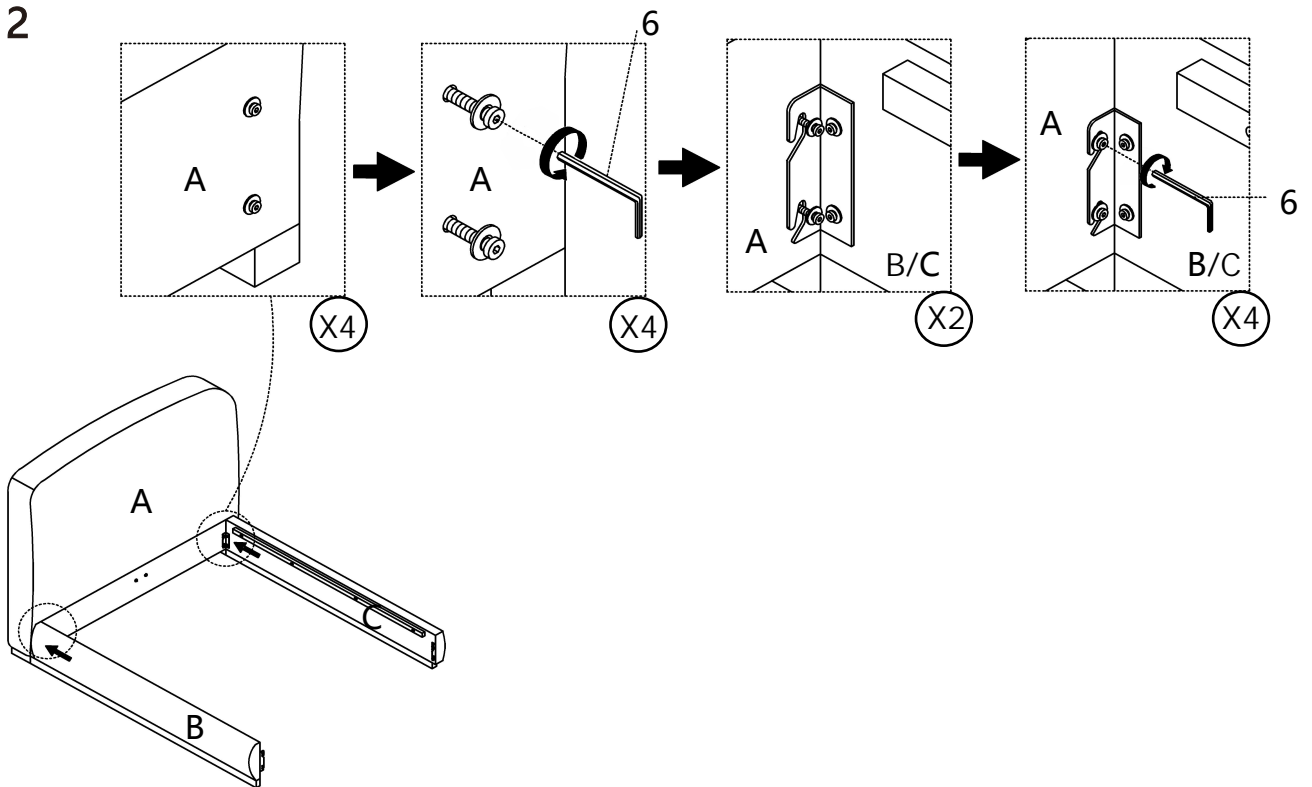


UPHOLSTERED BED QUEEN ASSEMBLY INSTRUCTIONS

STEP 1

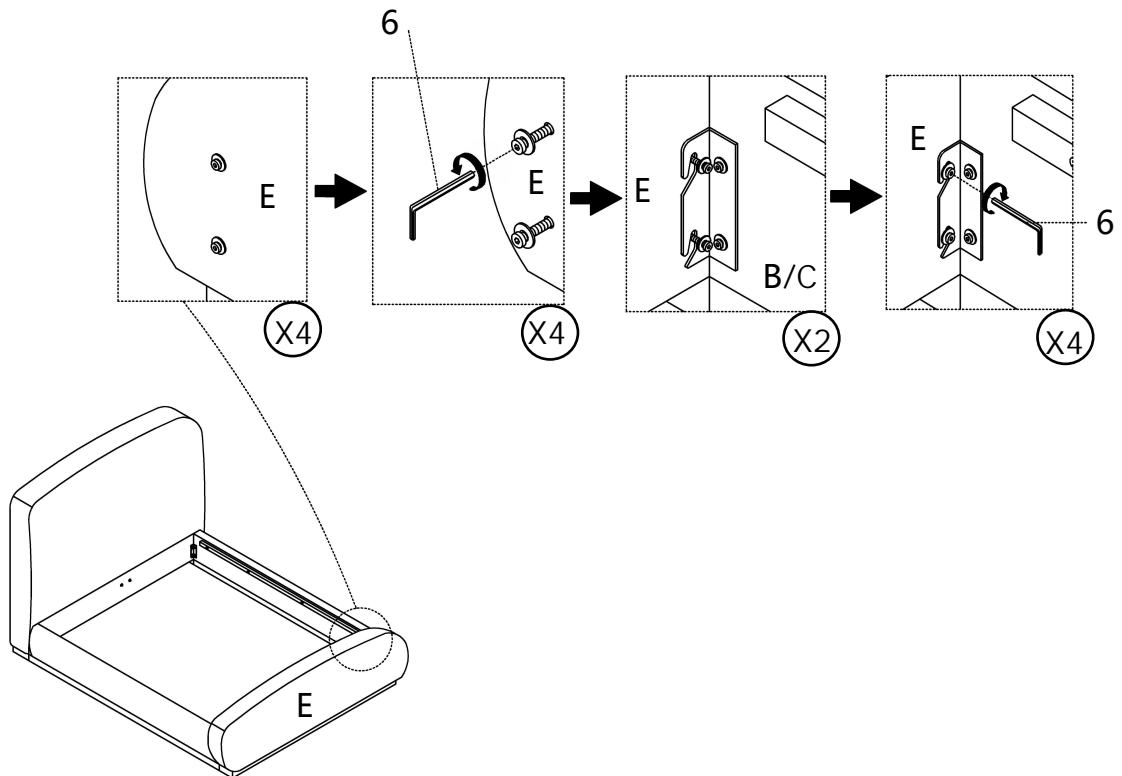


STEP 2



UPHOLSTERED BED QUEEN ASSEMBLY INSTRUCTIONS

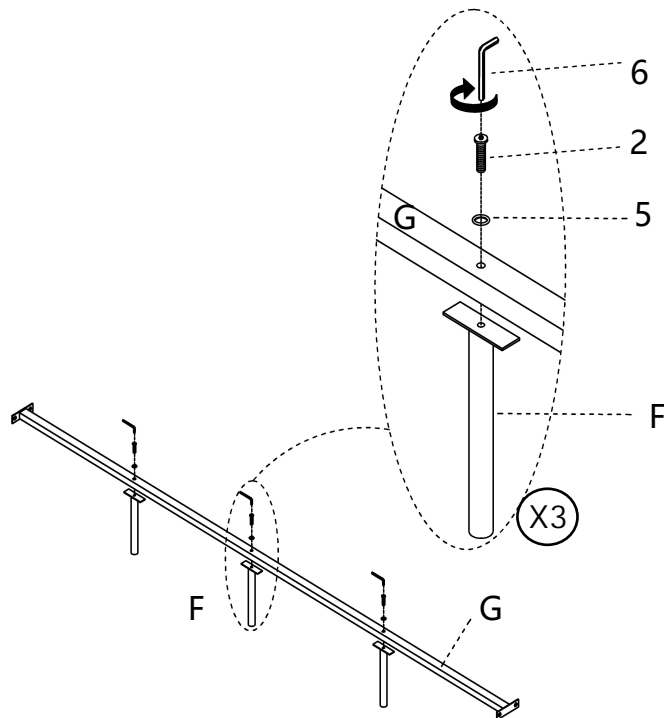
STEP 3



STOP

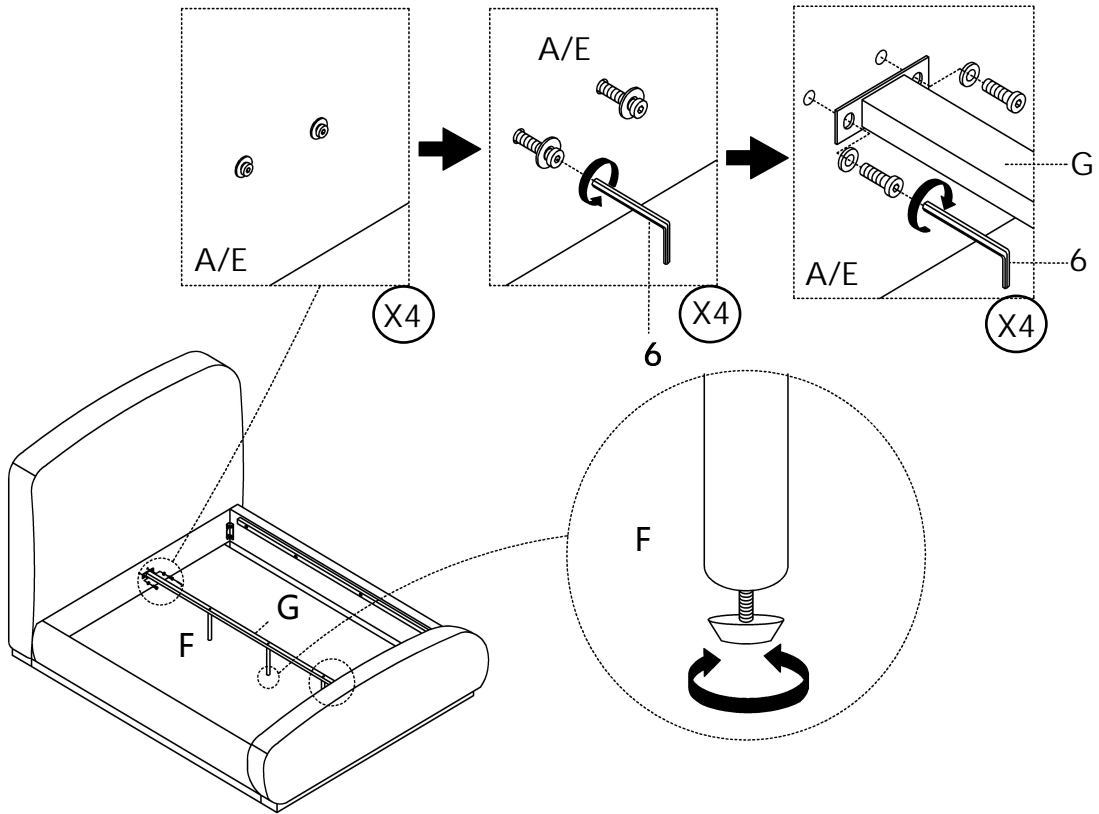
IF USING BED WITH AN ADJUSTABLE MATTRESS BASE, SKIP STEPS 4, 5 & 6 AND REFERENCE APPENDIX A: ADJUSTABLE MATTRESS BASE ASSEMBLY SUPPLEMENT. IF USING BED FRAME WITH STANDARD BOX SPRING OR FOUNDATION, CONTINUE TO STEP 4.

STEP 4

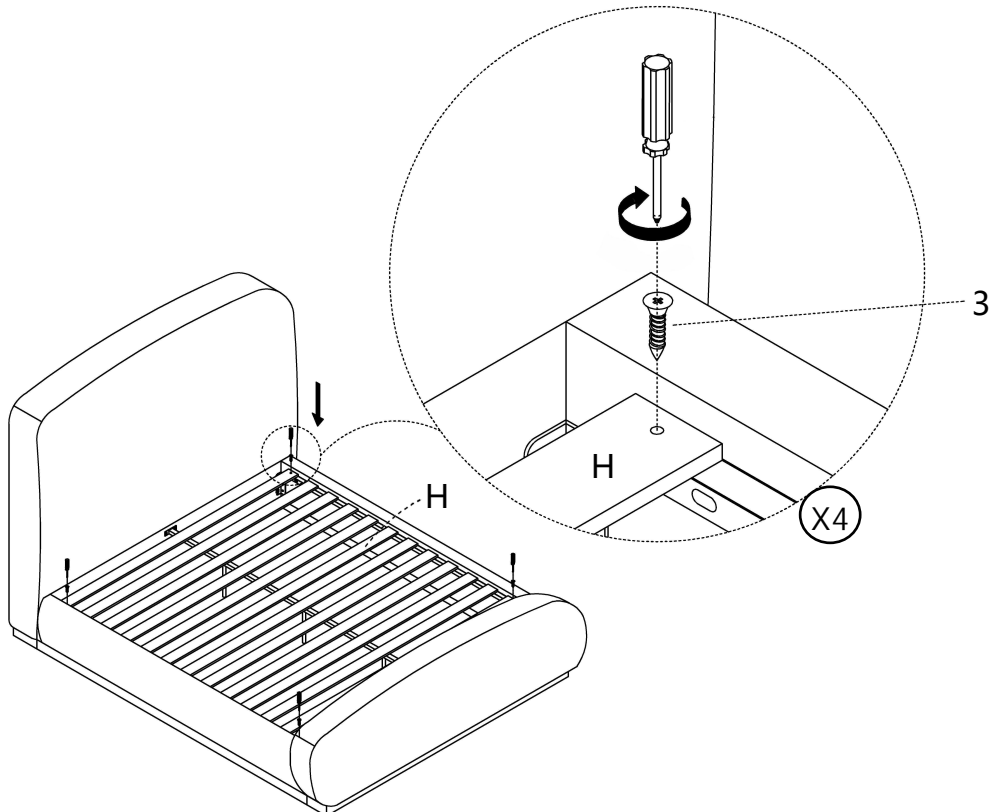


UPHOLSTERED BED QUEEN ASSEMBLY INSTRUCTIONS

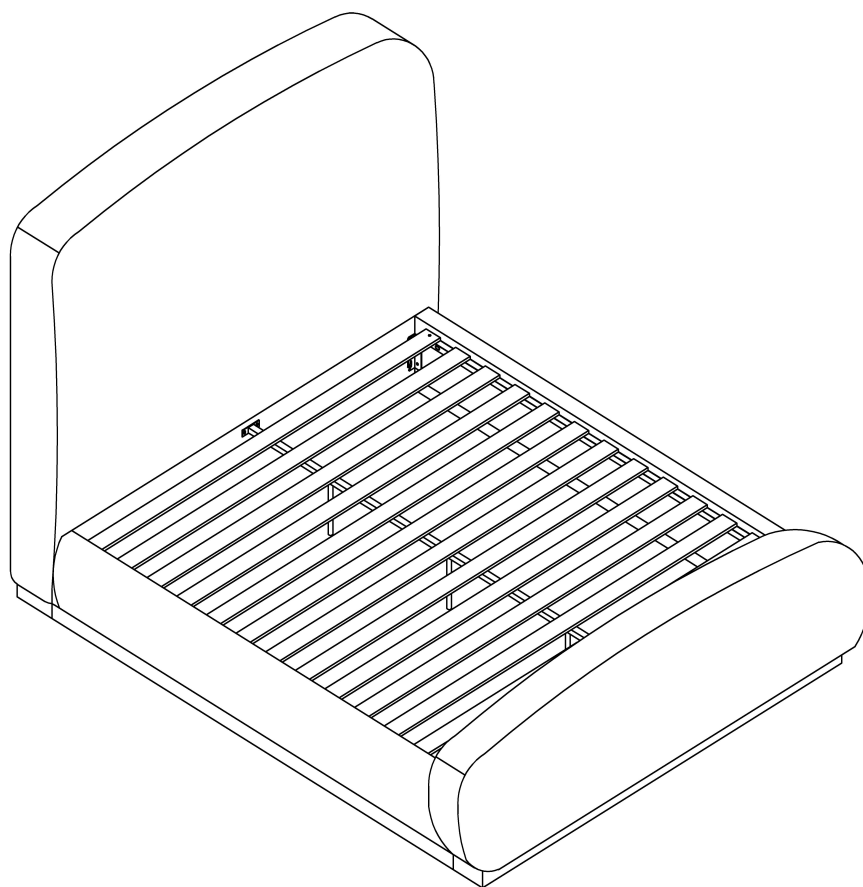
STEP 5



STEP 6



UPHOLSTERED BED QUEEN ASSEMBLY INSTRUCTIONS



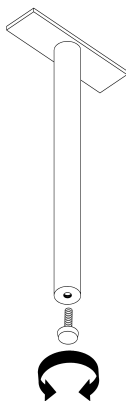
ASSEMBLY COMPLETE.

INSTRUCTIONS FOR ADJUSTING LEVELERS:

POSITION THE BED IN YOUR ROOM.
LOCATE LEVELERS UNDER EACH
SUPPORT LEG (F).

TURN COUNTER-CLOCKWISE TO
EXTEND, CLOCKWISE TO RETRACT.

ADJUST LEVELERS UNTIL EACH LEG
SUPPORT IS APPLYING EQUAL UPWARD
PRESSURE ON THE CENTER SLAT.



MAINTENANCE INSTRUCTIONS:

- PERIODICALLY CHECK ALL FITTINGS AND TIGHTEN IF NECESSARY, AS THEY CAN LOOSEN OVER TIME.
- ALWAYS REMOVE BOX SPRING AND MATTRESS BEFORE MOVING THE BED.
- LIFT THE BED WHEN MOVING IT. DRAGGING THE BED CAN DAMAGE THE CENTER SUPPORT.
- READJUST LEVELERS AFTER MOVING THE BED.

UPHOLSTERED BED QUEEN ASSEMBLY INSTRUCTIONS

APPENDIX A:ADJUSTABLE MATTRESS BASE ASSEMBLY SUPPLEMENT

AN ADJUSTABLE MATTRESS BASE IS A FREESTANDING MATTRESS SUPPORT THAT SITS WITHIN THE PERIMETER OF THE BED FRAME.

IF USING THIS BED FRAME WITH A STANDARD BOX SPRING OR FOUNDATION THESE INSTRUCTIONS DO NOT APPLY.

PRE-ASSEMBLED SIDE RAIL CLEATS OBSTRUCT ADJUSTABLE BASE INSTALLATION AND OPERATION. FOLLOW THESE INSTRUCTIONS TO REMOVE THEM.

THE FOLLOWING PARTS ARE NOT REQUIRED FOR ADJUSTABLE MATTRESS BASE INSTALLATION:

F. SUPPORT LEG	3 PCS
G. CENTER SLAT SUPPORT	1 PC
H. SLAT ROLL	1 SET

STEP 1 :

USE ALLEN KEY (6) TO UNSCREW ALLEN BOLTS AND REMOVE PRE-ASSEMBLED SIDE RAIL CLEATS.

