

Desk W/3 Tier Shelf



ASSEMBLY INSTRUCTIONS







We have designed our furniture with you, the customer in mind. Our clear, easy to follow, step by step instructions will guide you through the project from start to finish. Feel confident that this will be a fun and rewarding project. The final product will be a quality piece of furniture that will go together smoothly and give years of enjoyment.



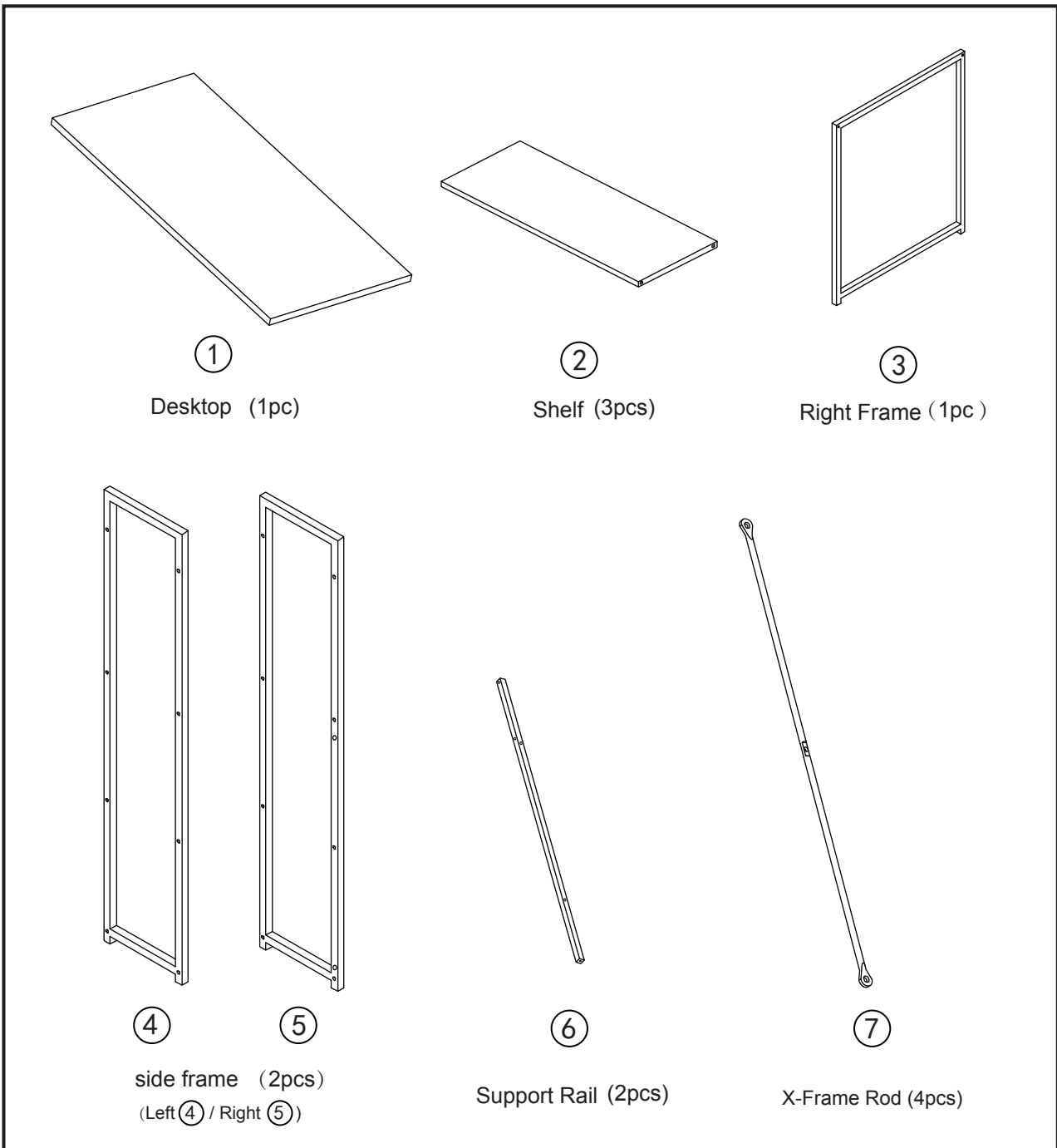
Please do not return to the store

- . Broken or missing parts ?
- . Need help with assembly ?

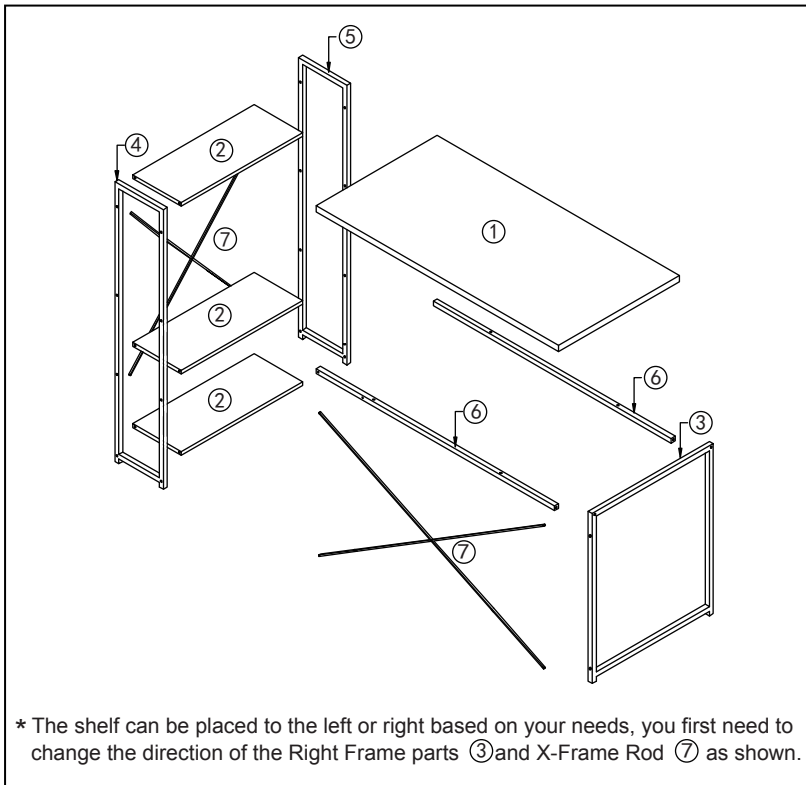
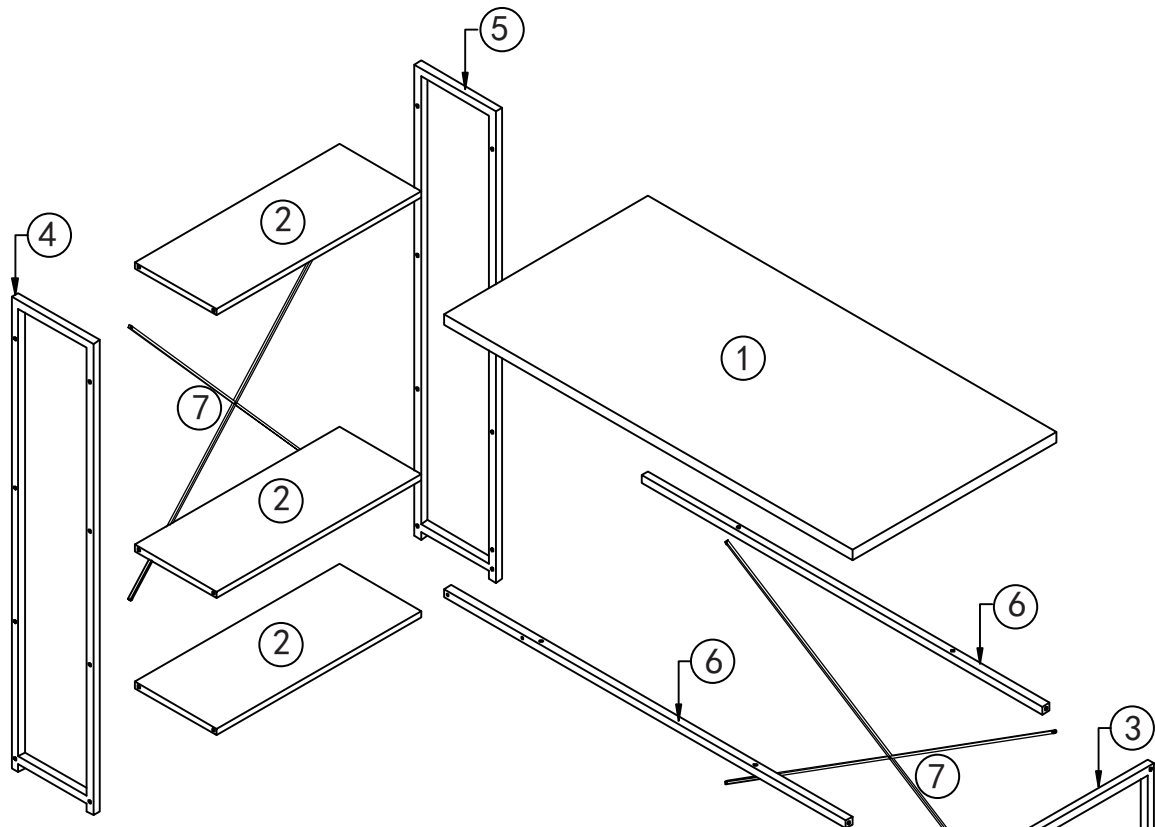
Hardware List

A 	B 	C 	D 	E 	F 
Large Screw (12pcs)	Medium Screw (12pcs)	Small Screw (10pcs)	Acorn Nut (2pcs)	Foot (6pcs)	Locking nut (12pcs)

Panel List



Hardware List

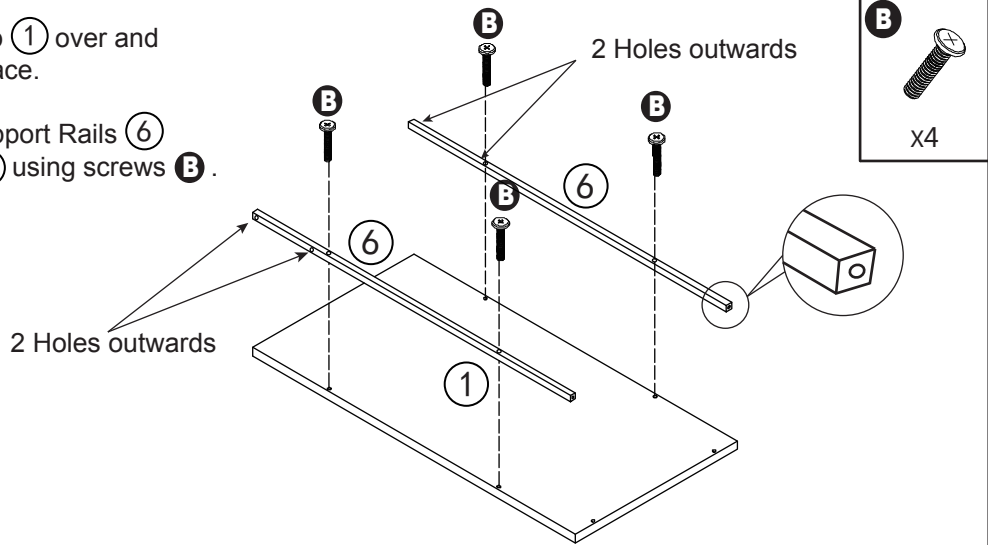


* The shelf can be placed to the left or right based on your needs, you first need to change the direction of the Right Frame parts ③ and X-Frame Rod ⑦ as shown.

Step 1

1. Turn the desktop ① over and put it on soft surface.

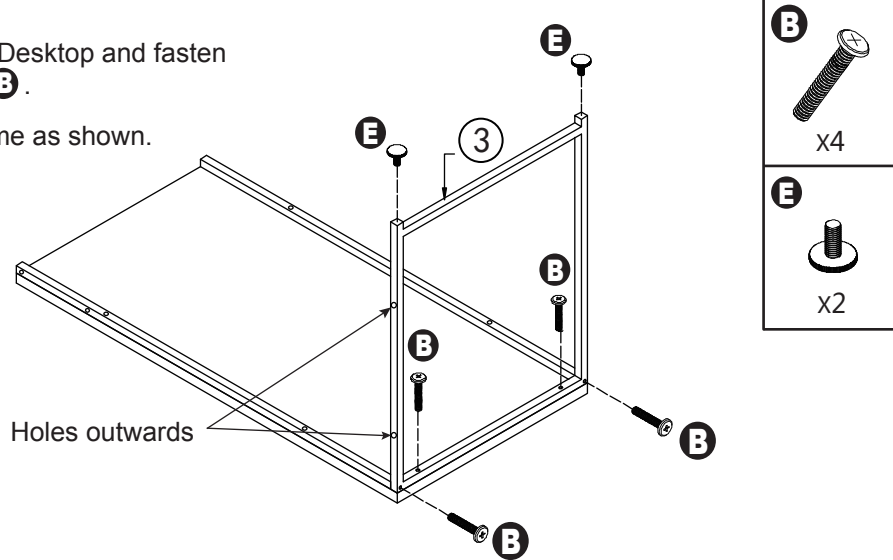
2. Connect the Support Rails ⑥ to the desktop ① using screws ②.



Step 2

1. Place Frame ③ onto Desktop and fasten with Medium Screws ②.

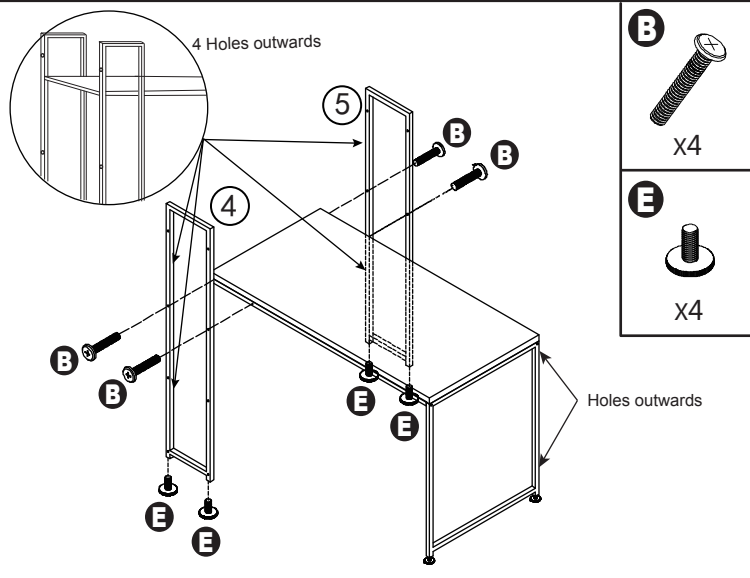
2. Screw feet ④ into Frame as shown.



Step 3

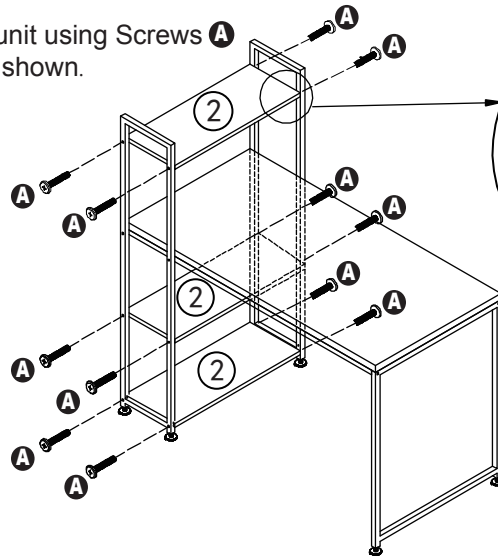
1. Attach side frames ④ ⑤ to unit using Medium Screws ②.

2. Screw feet ④ into side frames ④ ⑤ as shown.



Step 4

1. Attach Shelves (2) to unit using Screws (A) and Locking Nuts (F) as shown.

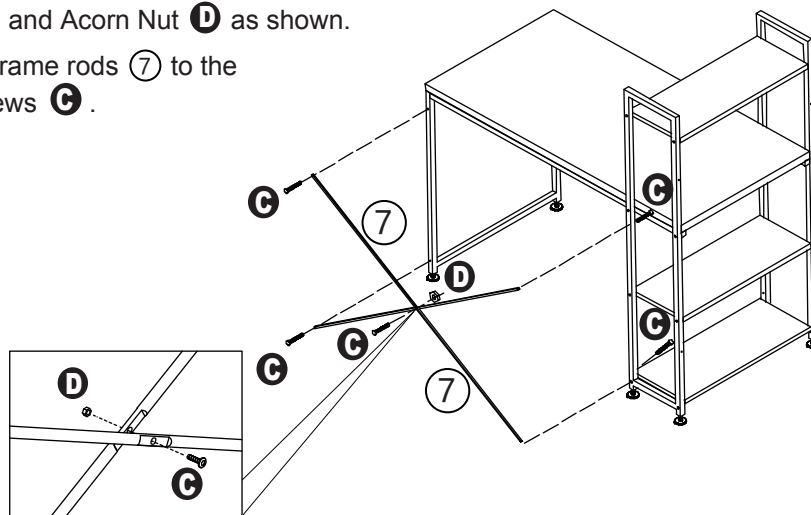


* Threads of Locking Nut must face screw hole.

Step 5

1. Connect the two X-frame rods together using Screw (C) and Acorn Nut (D) as shown.

2. Attach the X-frame rods (7) to the desk using Screws (C).



Step 6

1. Connect the two X-frame rods together using Screw (C) and Acorn Nut (D) as shown.

2. Attach the X-frame rods (7) to the desk using Screws (C).

Enjoy your new desk!

