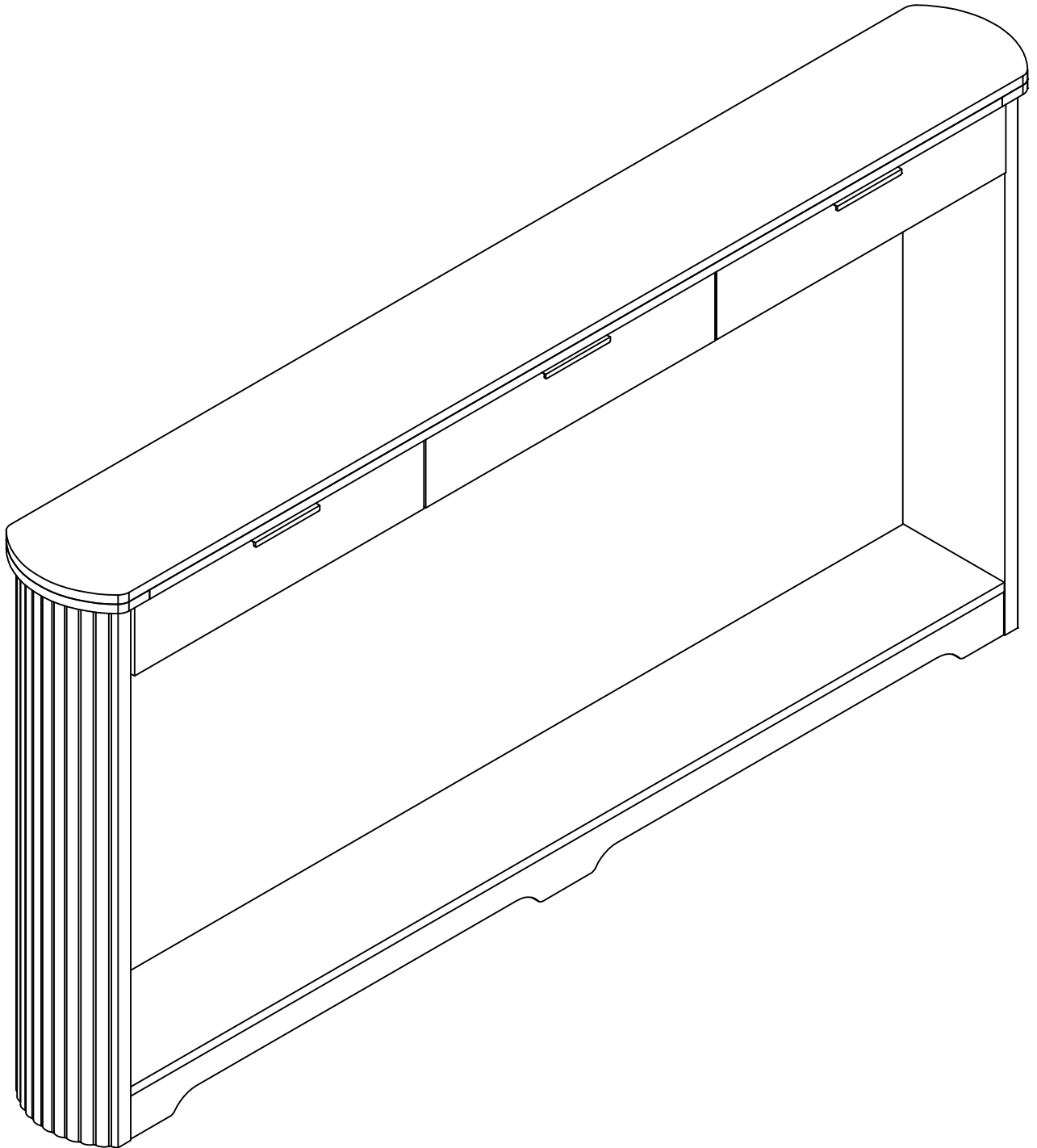


SFT172



General Guidelines

- Please read the following instruction carefully and use the product accordingly.
- Please keep this manual and hand it over when you transfer the product.
- This summary may not include every detail of all variations and considered steps. Please contact us when further information and help are needed.

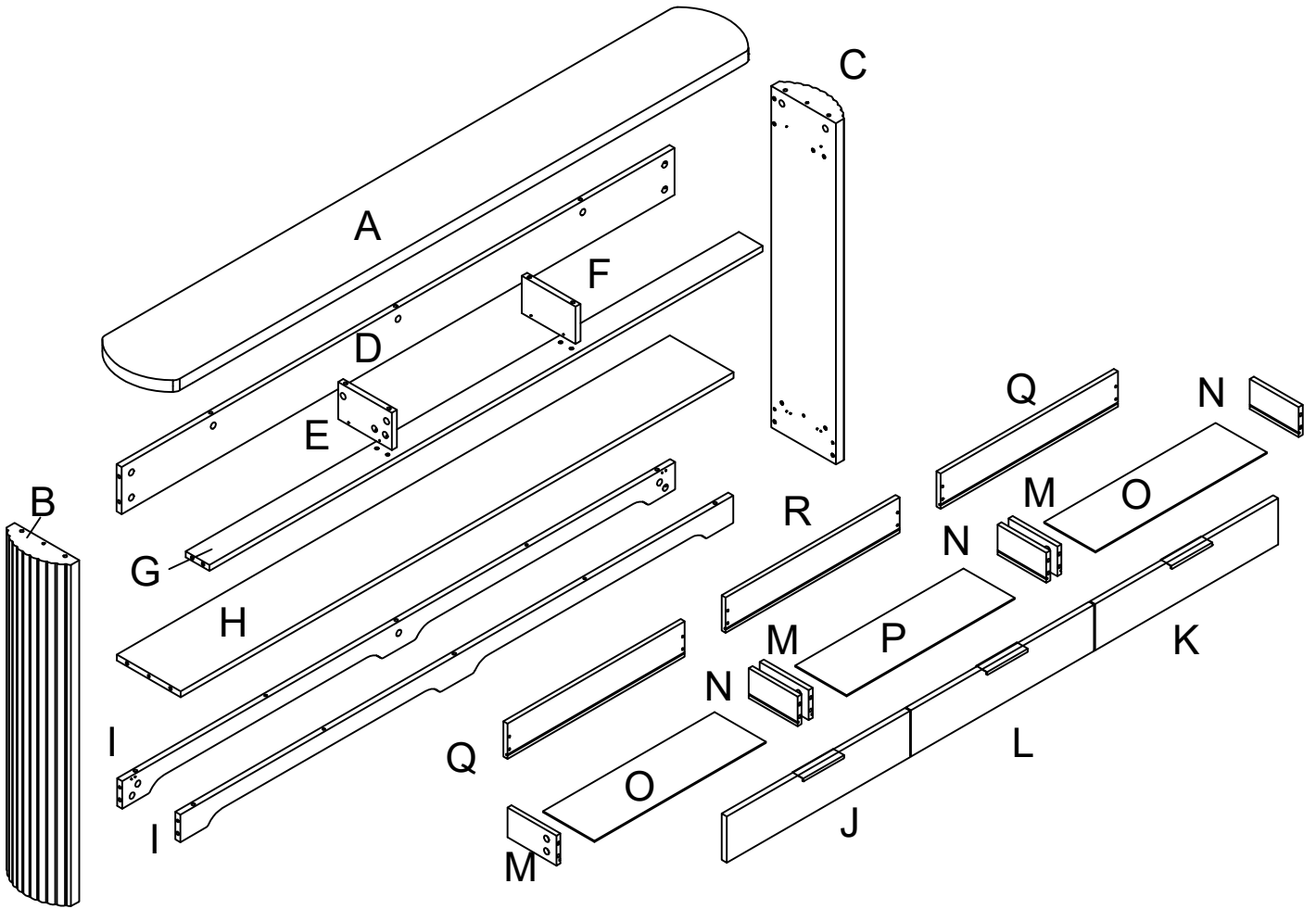
Notes

- The product is intended for indoor use only. The product must be assembled and used in accordance with the provisions of the manual. Personal injury and/or damage to product may occur if products are used outside of their intended purposes and/or if products have been changed/modified from their original design. The seller does not assume any responsibility or liability with respect to any injury/damage caused by incorrect assembly or improper use.
- Avoid long-term exposure to humid environments to prevent mildew.
- Keep the product away from fire sources and high temperatures. Do not expose the product to direct sunlight.
- Do not place any hot objects on the surface of the product.
- If there are any defective or missing parts after unpacking, please cease assembly immediately and contact us.
- Please assemble the item on a spacious surface and do not place the unwrapped product directly on the ground to avoid product damage.
- Please do not stand or sit on the wooden boards.
- Please wear gloves during the assembly and/or disassembly process to avoid scratches from any sharp edges.
- Please match the corresponding part and fitting based on the part number in the manual.
- If the part does not match with the fitting, please check the piece as specified in this manual.
- During assembly, first loosely align all screws with the corresponding pre-drilled holes and then tighten the screws one by one.
- Periodically inspect screw tightness while the product is in use. If necessary, retighten to ensure structural integrity.
- If you accidentally spill water or another liquid on the surface, immediately wipe clean with a dry towel.
- Please keep the product away from sharp, pointed objects and corrosive substances to prevent product damage.
- Please place this item on level, solid ground during use.

Warnings

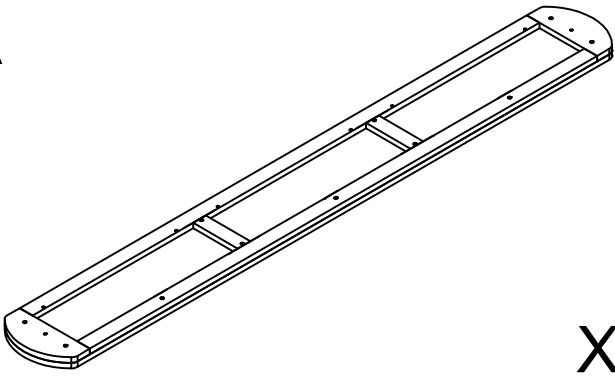
- During assembly, keep all small parts out of the reach of children. It may be fatal if swallowed or inhaled.
- Children should not climb or play on the product in order to avoid tipping over the furniture and causing serious injury.
- To avoid the potential dangers of suffocation, please keep all parts and packaging (film, plastic bags, foam, etc.) away from babies and children.
- Keep sharp objects and corrosive items away from the product to avoid any damage or injury.
- Do not shake or move violently during use to avoid tipping over the product.

Parts List



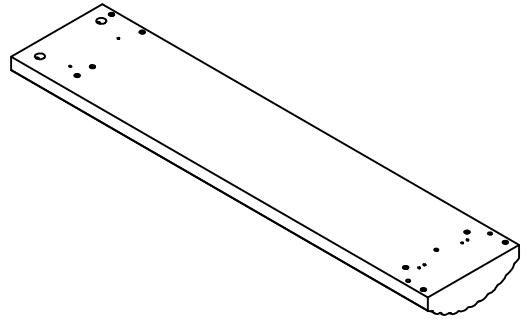
Parts List

A



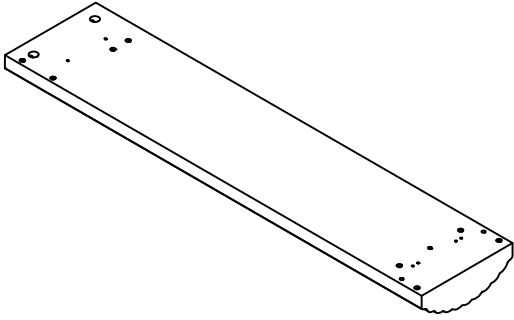
X1

B



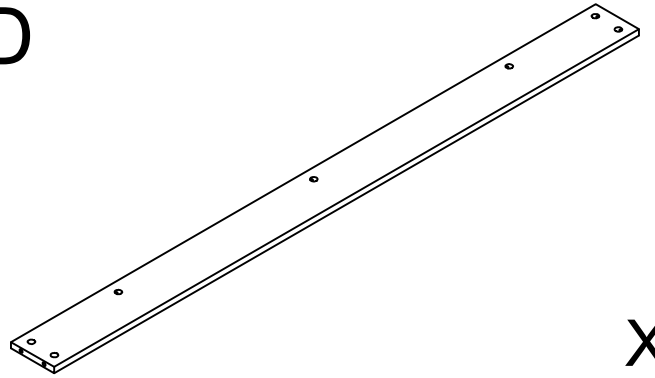
X1

C



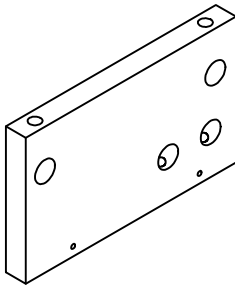
X1

D



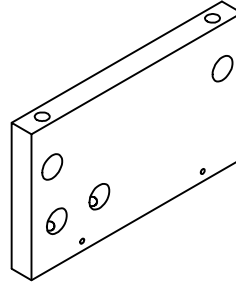
X1

E



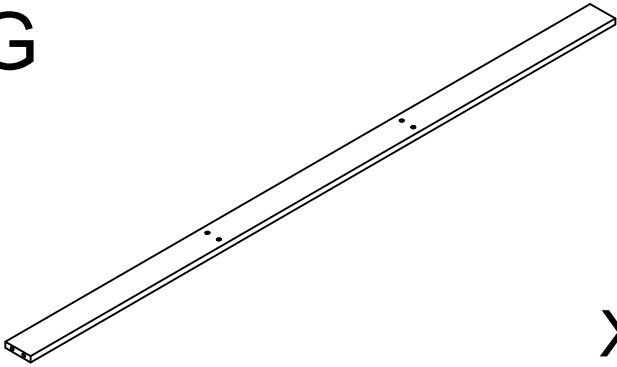
X1

F



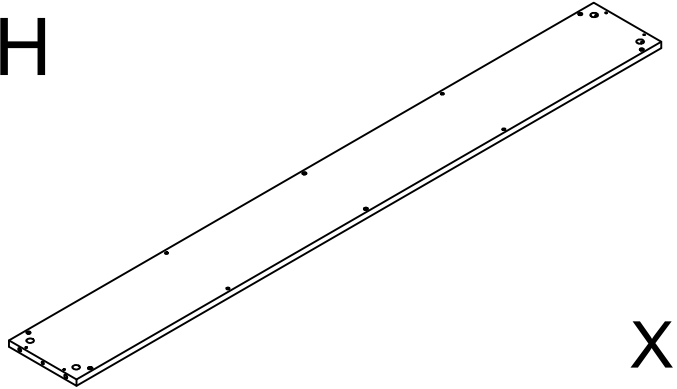
X1

G



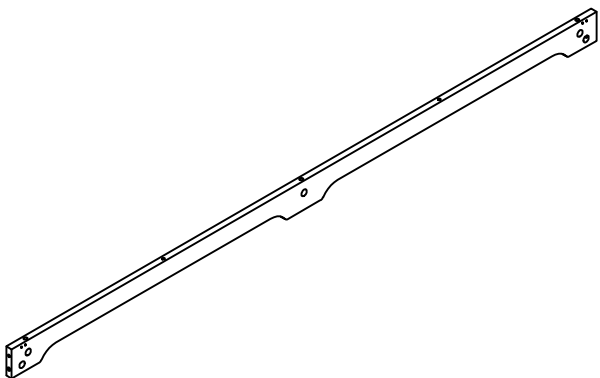
X1

H



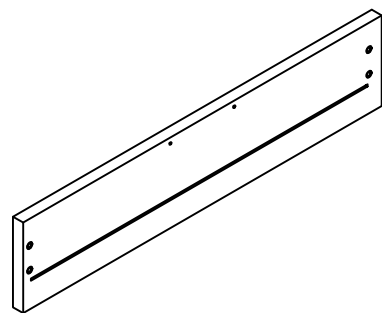
X1

I



X2

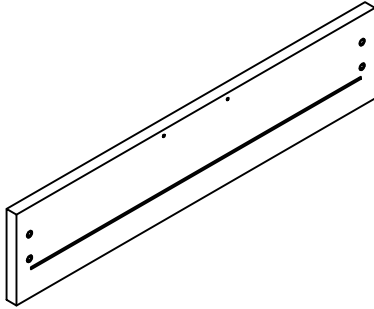
J



X1

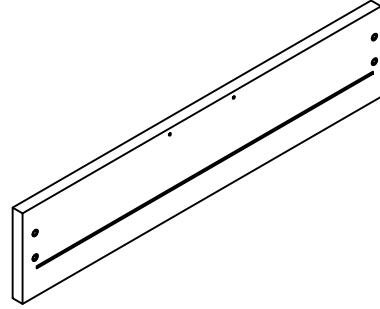
Parts List

K



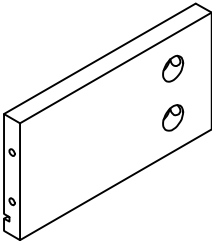
X1

L



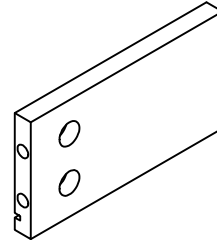
X1

M



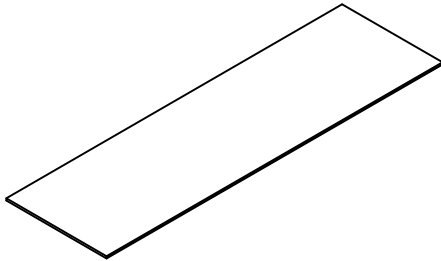
X3

N



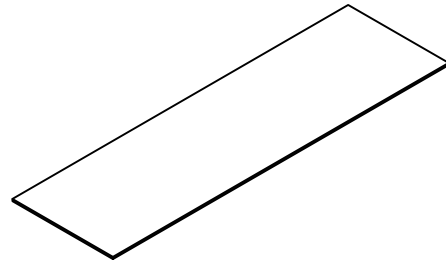
X3

O



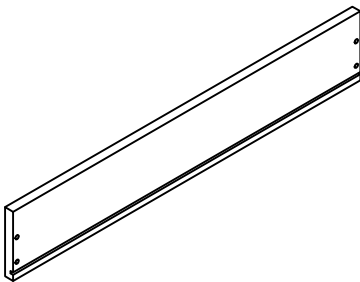
X2

P



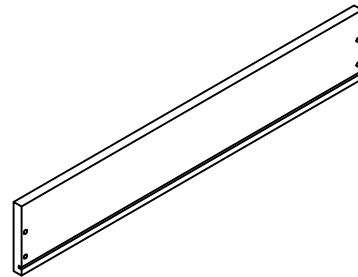
X1

Q



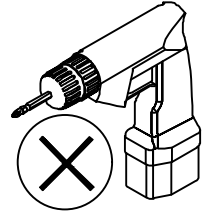
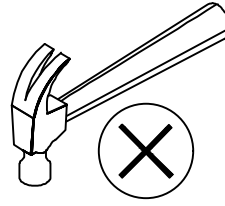
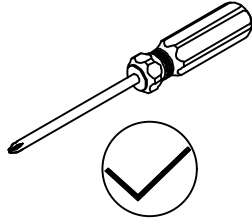
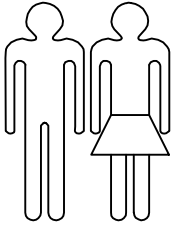
X2

R

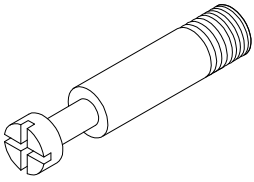


X1

Hardware List

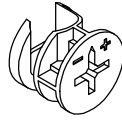


1



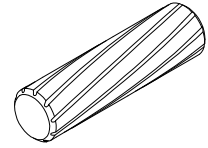
49+2PCS

2



49+2PCS

3



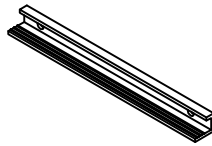
12+1PCS

4



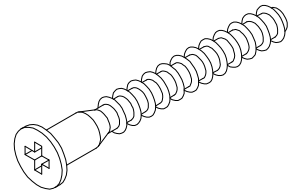
16+1PCS

5



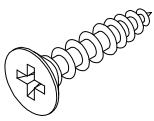
6PCS

6



M5*50 12+1PCS

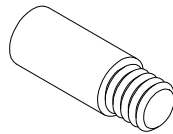
7



Ø3.5*12

12+1PCS

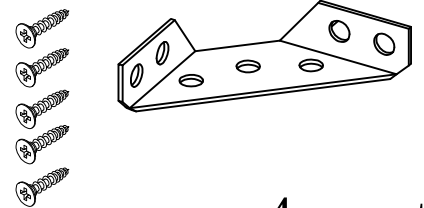
8



Ø6*23

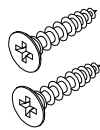
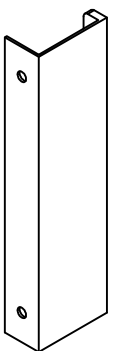
6PCS

9



4 set

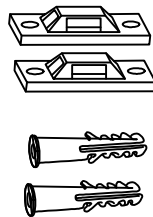
10



Ø3.5*12

3 set

11



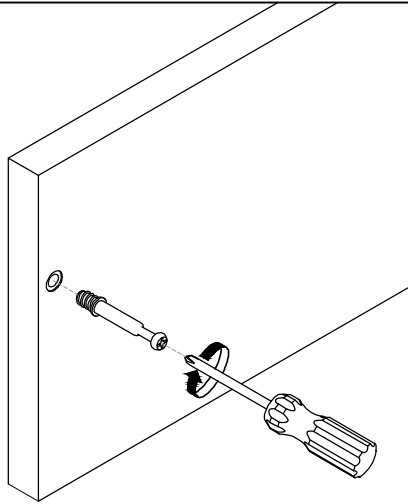
2 set

INSTALLING THE CAM LOCKS

1

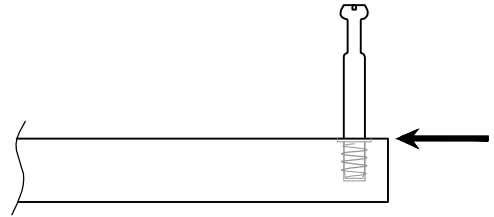


Do not over tighten!



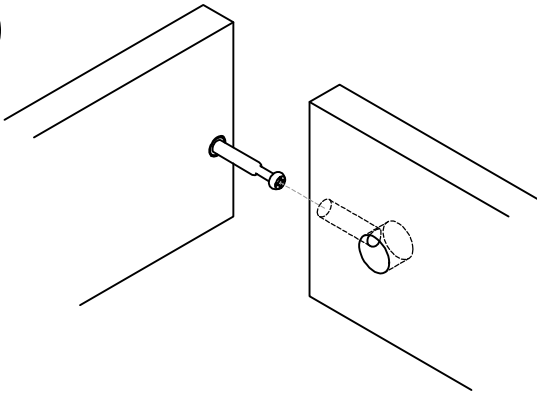
The base of the Cam Screw should be flush with the panel

2



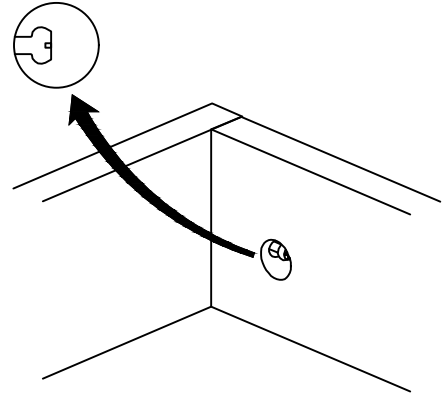
Screw the Cam Screw into the prethreaded hole. Tighten with a screwdriver until snug.

3



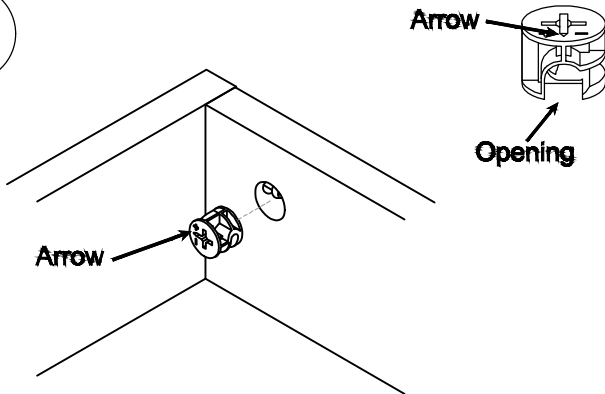
Connect the panels. Insert the Cam Screw into the small hole in the adjoining panel.

4



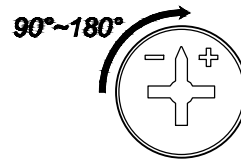
The head of the Cam Screw should be visible through the large hole.

5



Insert the Cam Lock into the large hole. Make sure the arrow and the opening in the Cam Lock are facing the Cam Screw.

6

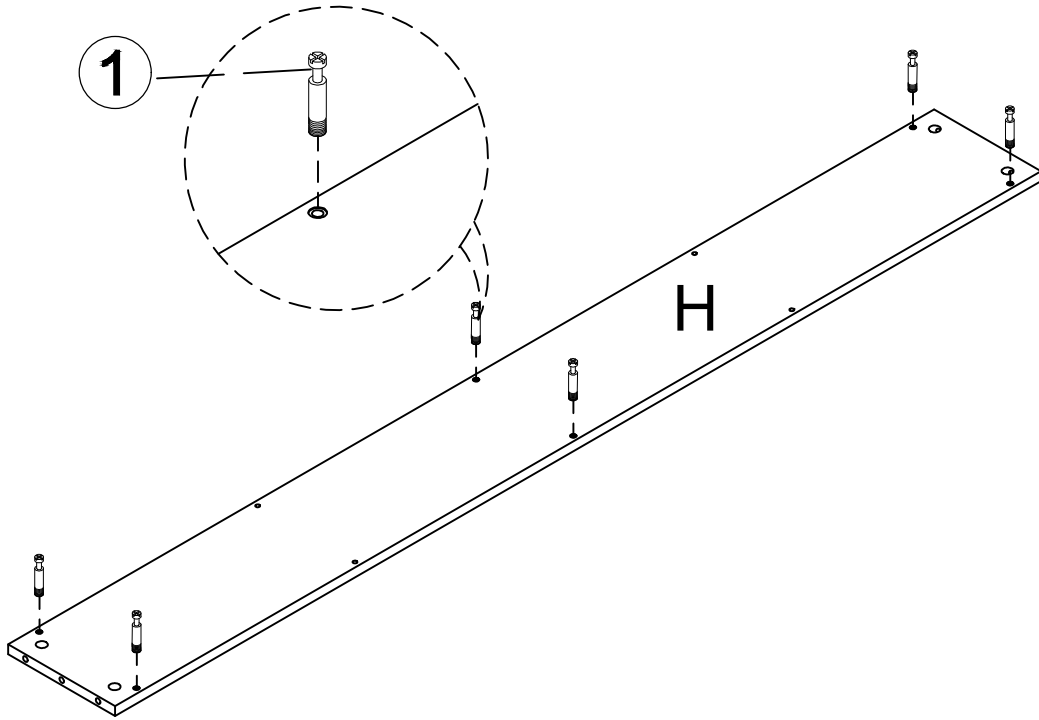


Do not over tighten!

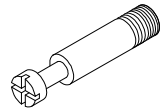
Using a screwdriver, turn the Cam Lock at least 90° clock-wise to lock the two panels firmly together.

Assemble steps

1

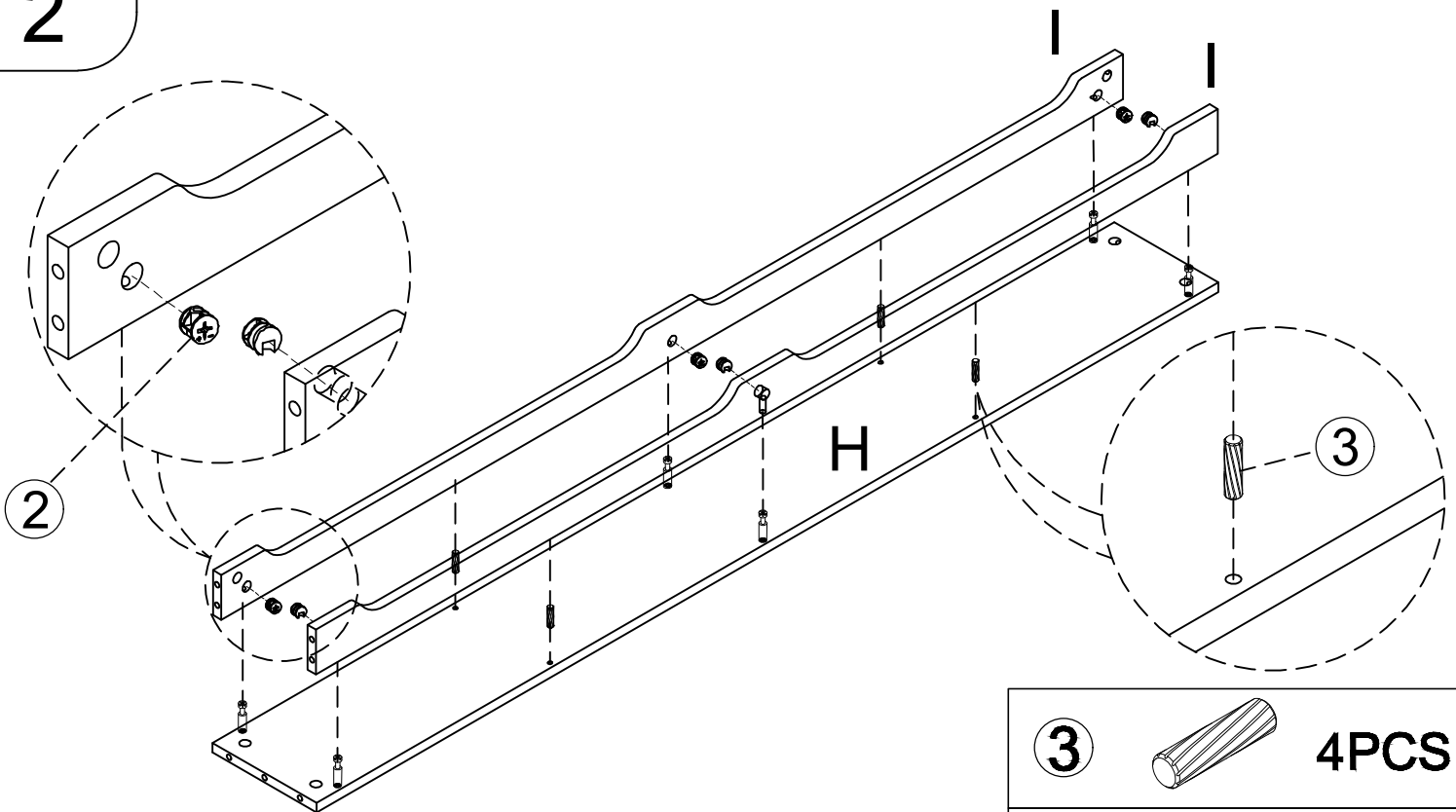


1

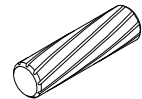


6PCS

2



3



4PCS

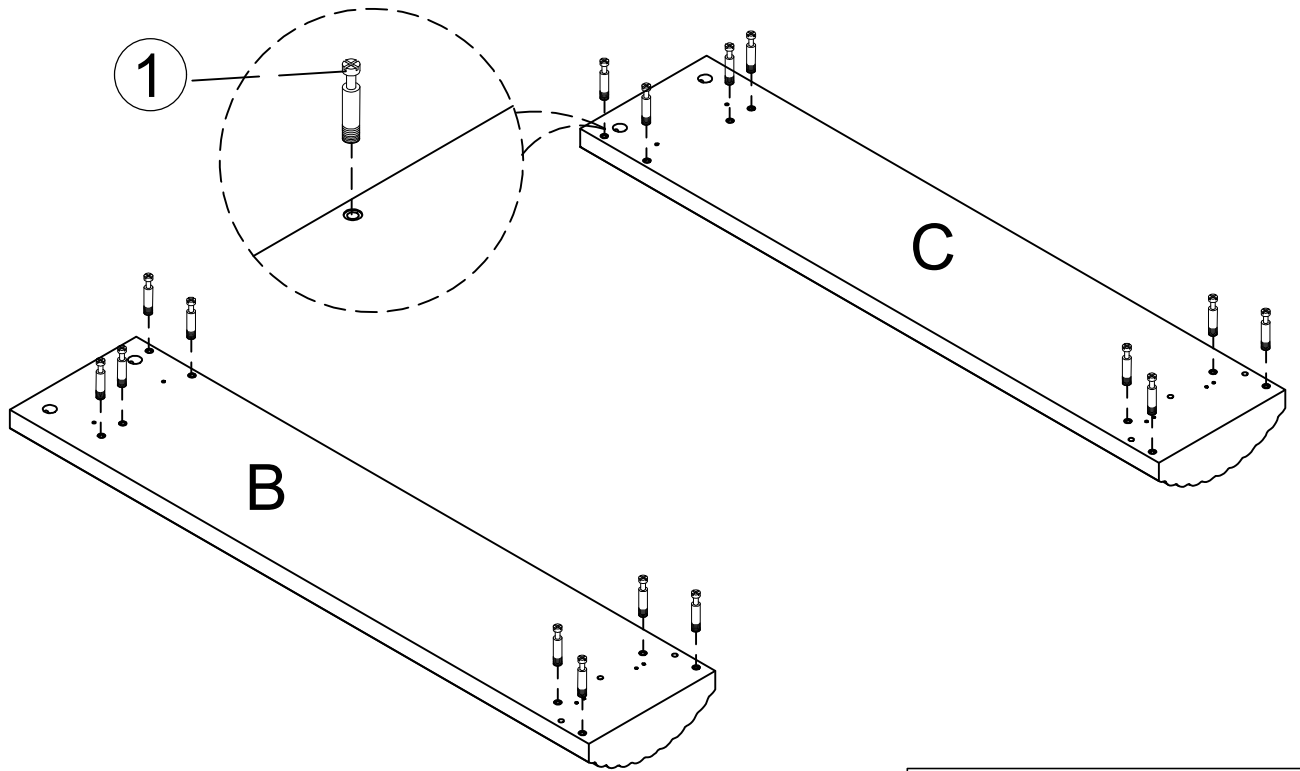
2



6PCS

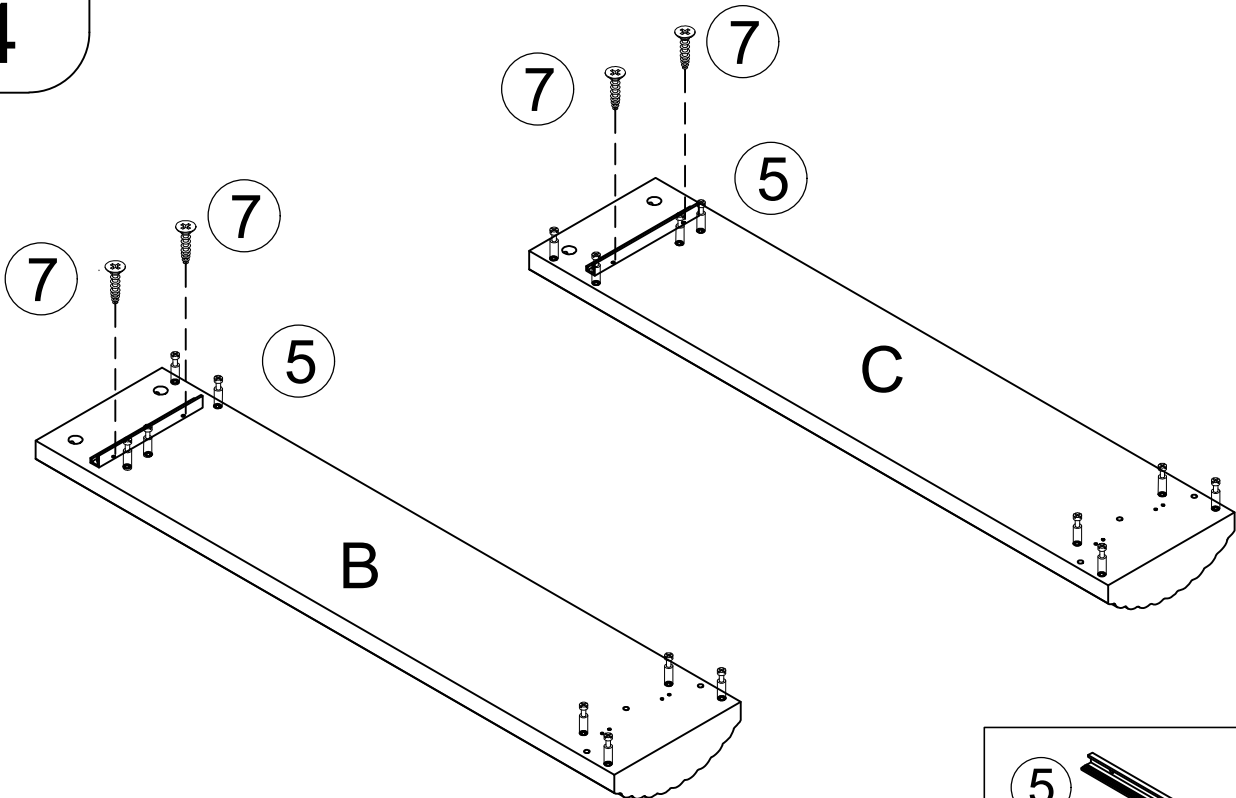
Assemble steps

3



1 16PCS

4

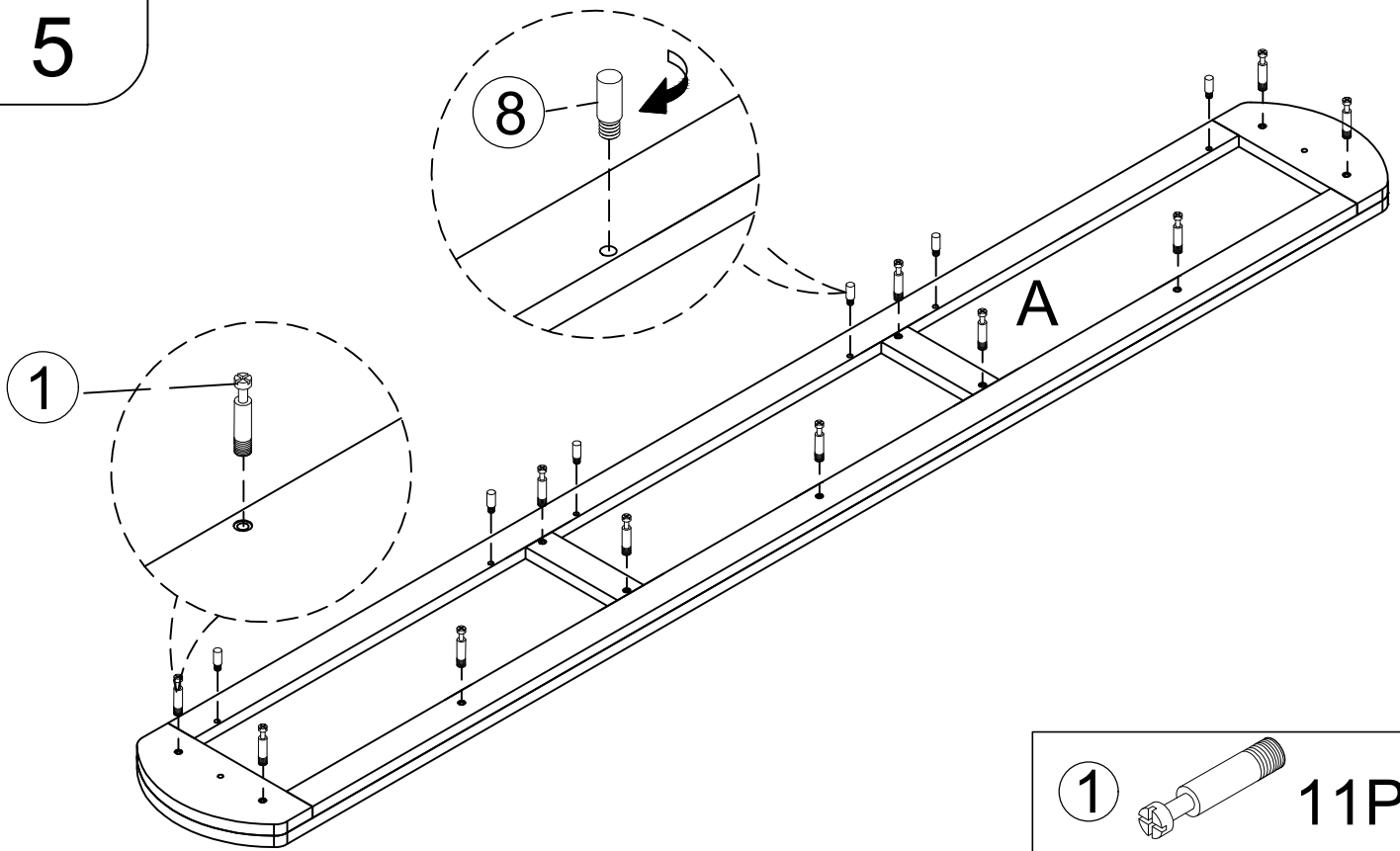


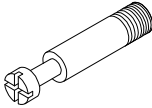
5 2PCS

7 4PCS
Ø3.5*12

Assemble step

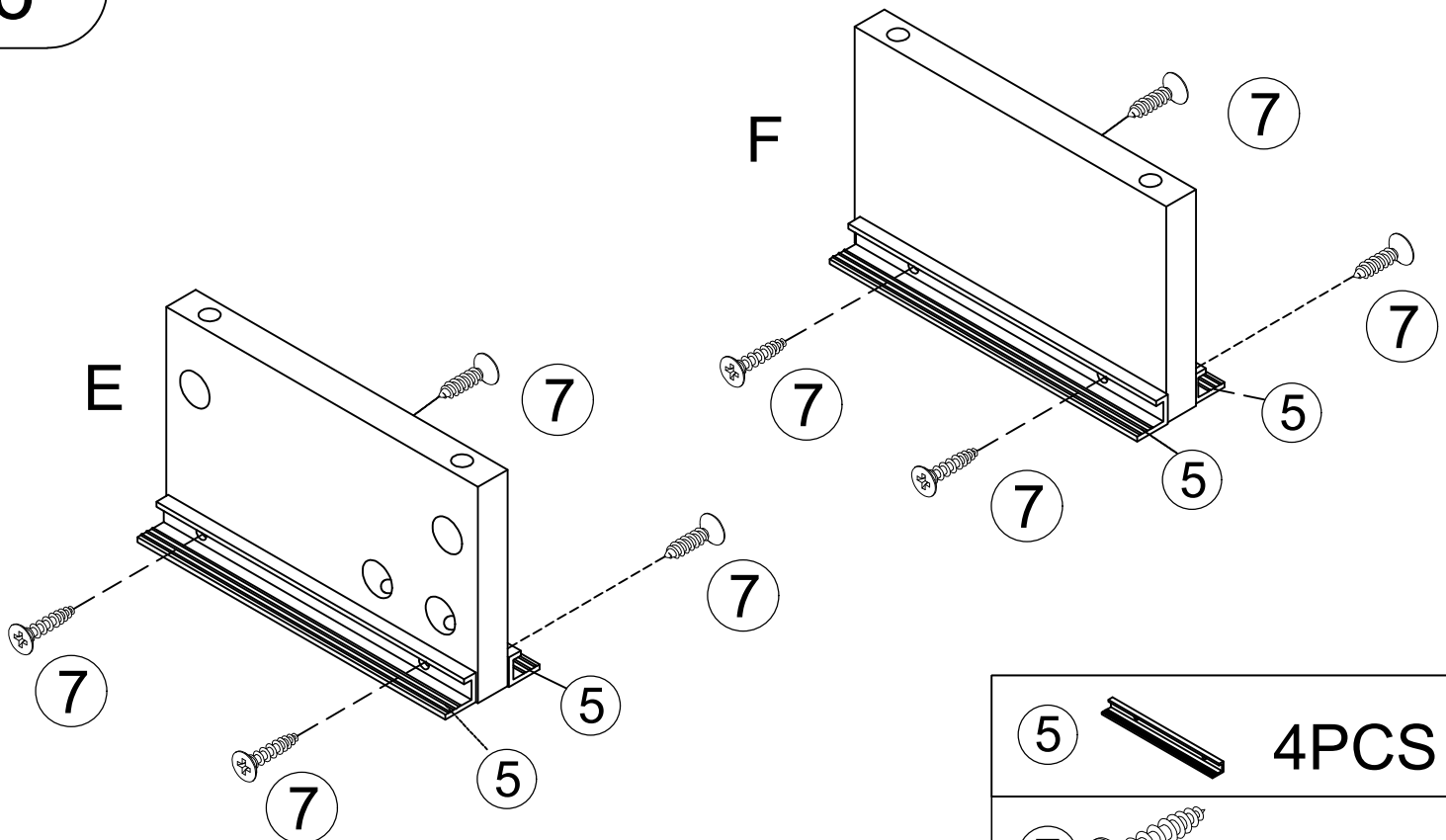
5



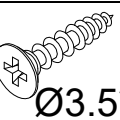
①  11PCS

⑧  6PCS

6

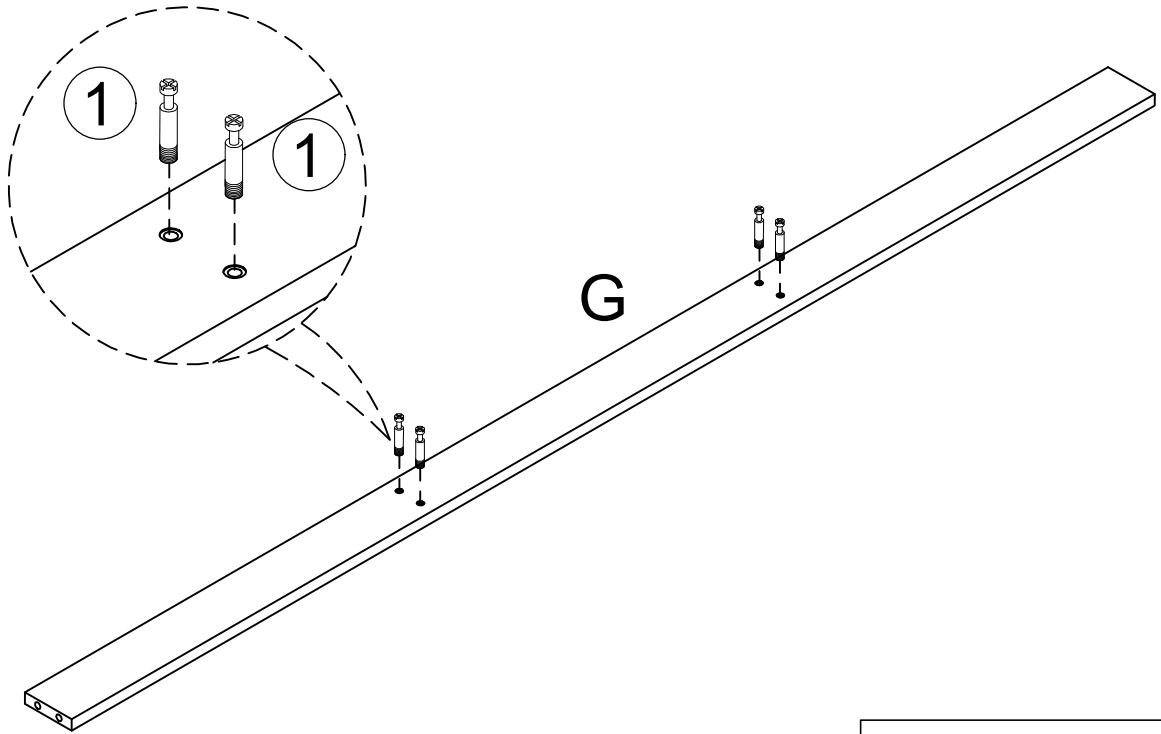


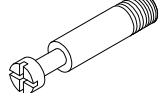
⑤  4PCS

⑦  8PCS
Ø3.5*12

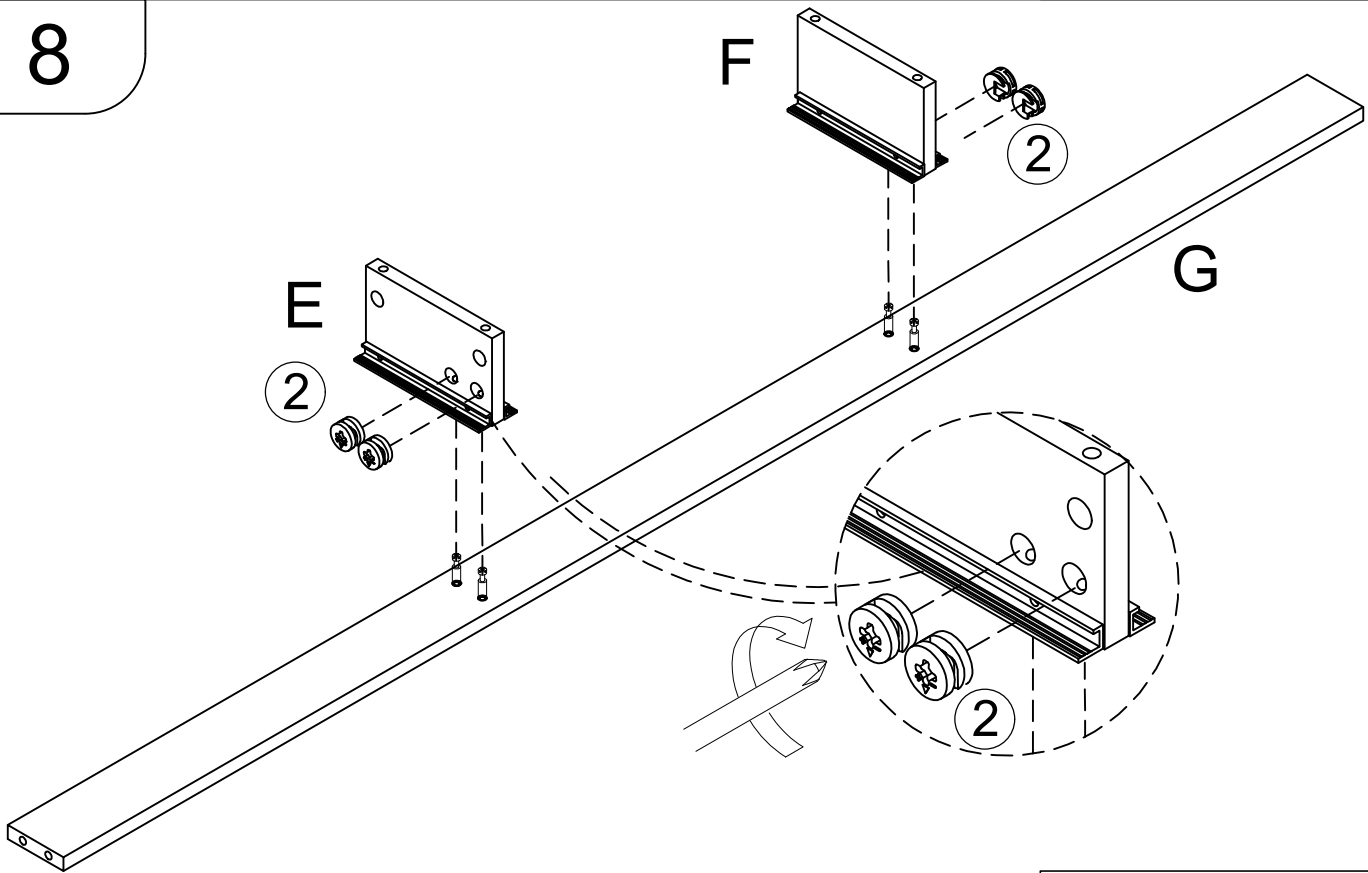
Assemble steps


7



①  4PCS

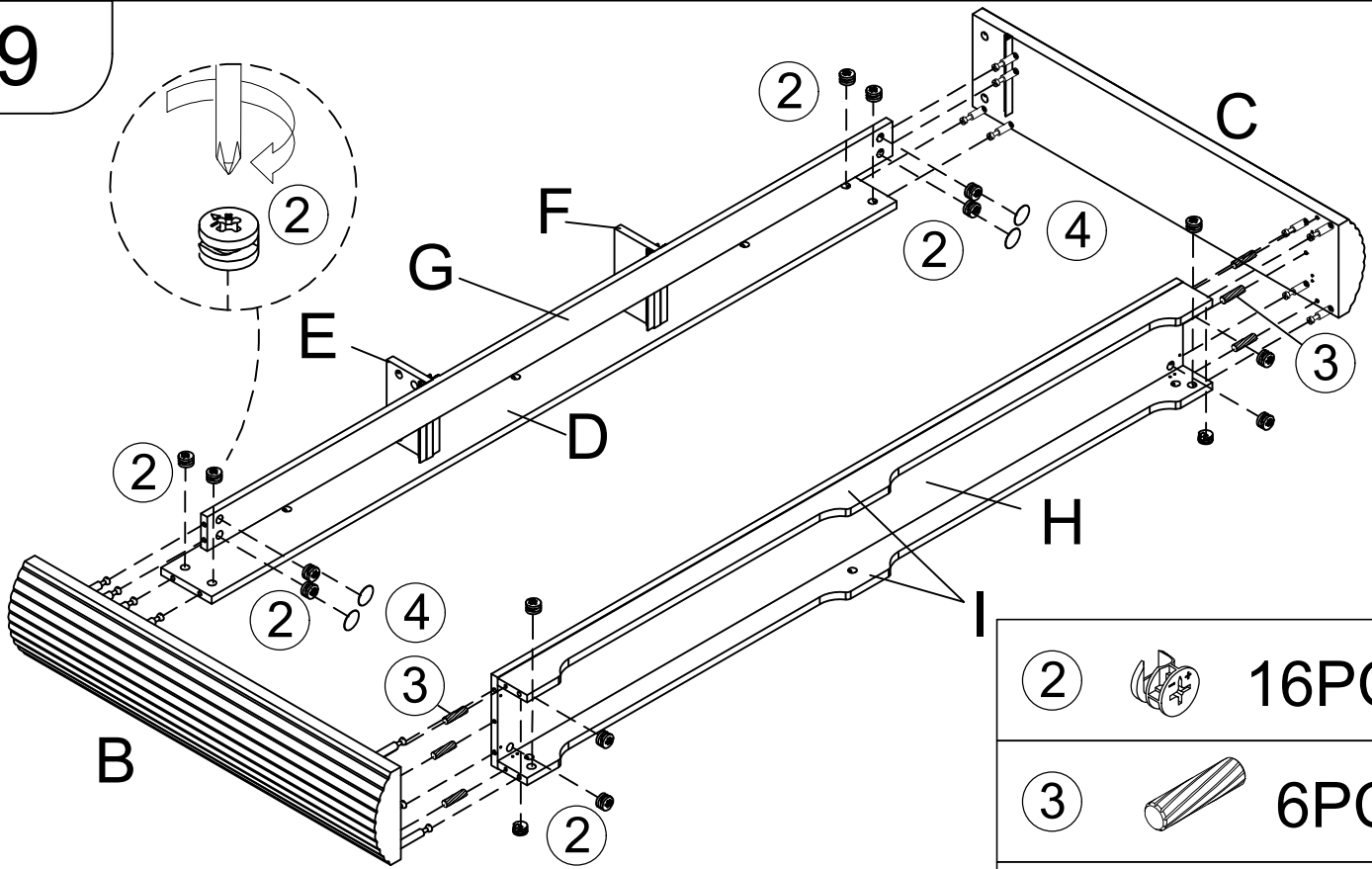
8


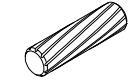



②  4PCS

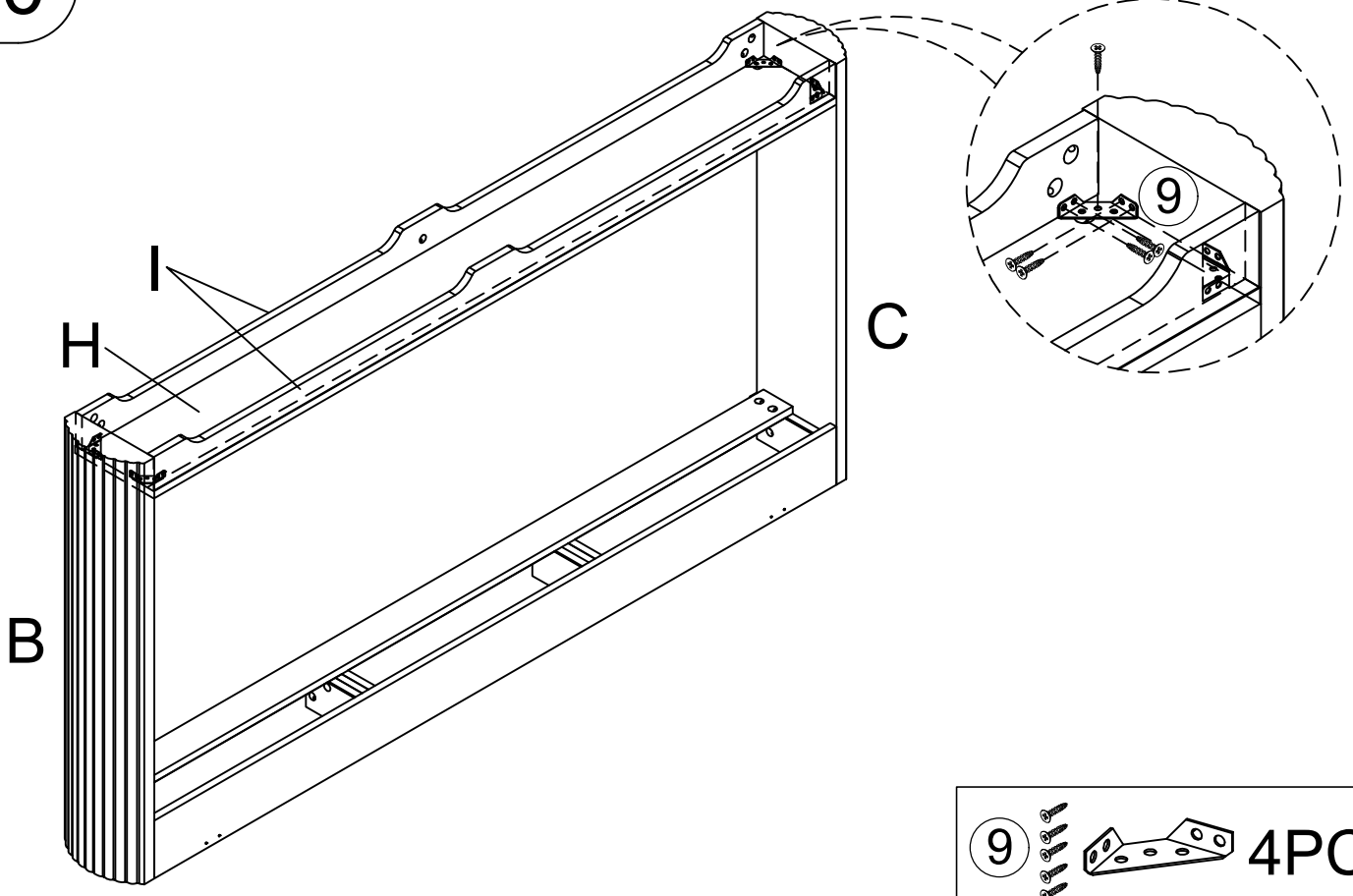
Assemble steps

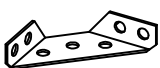
9



②		16PCS
③		6PCS
④		4PCS

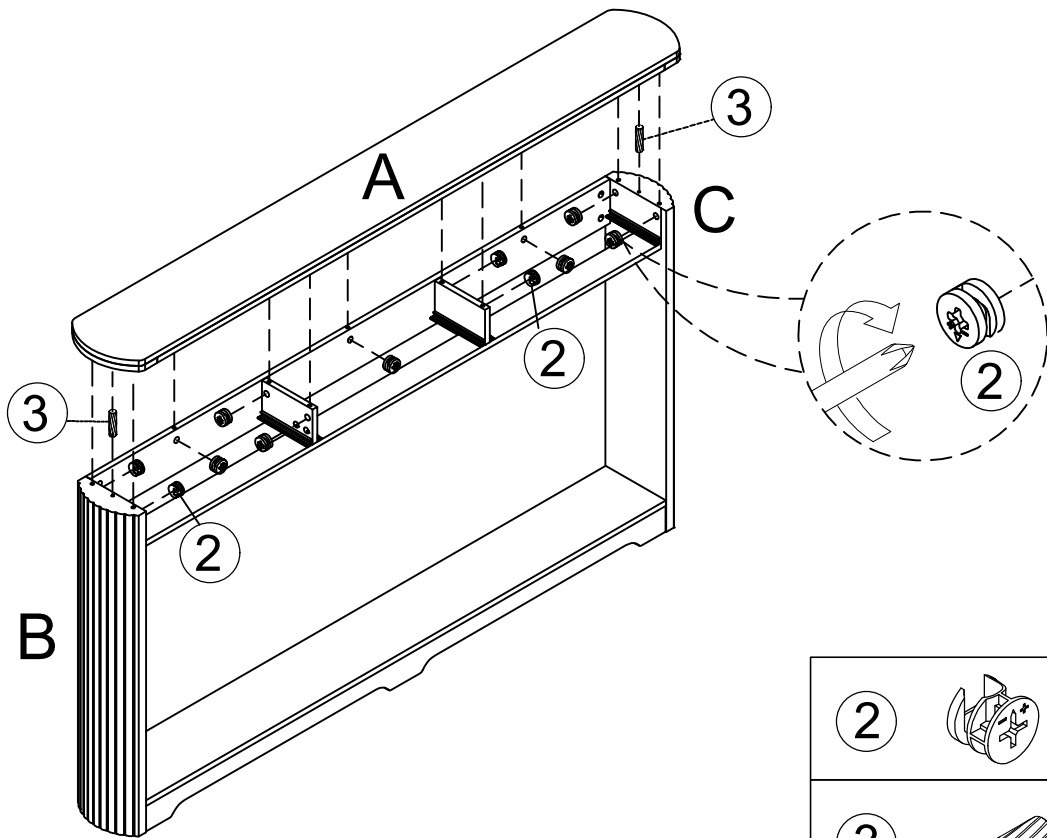
10



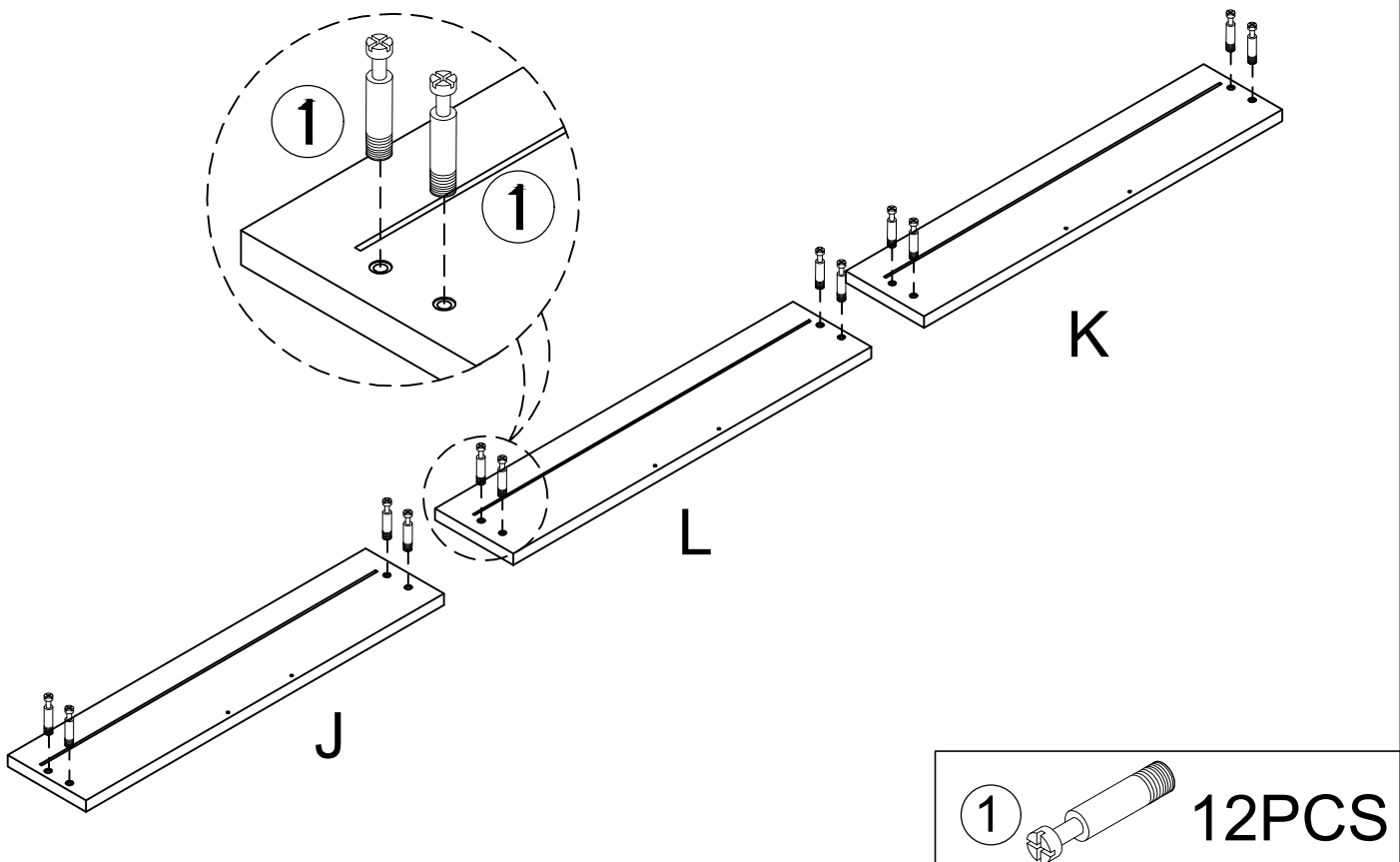
⑨		4PCS
---	---	------

Assemble steps

11

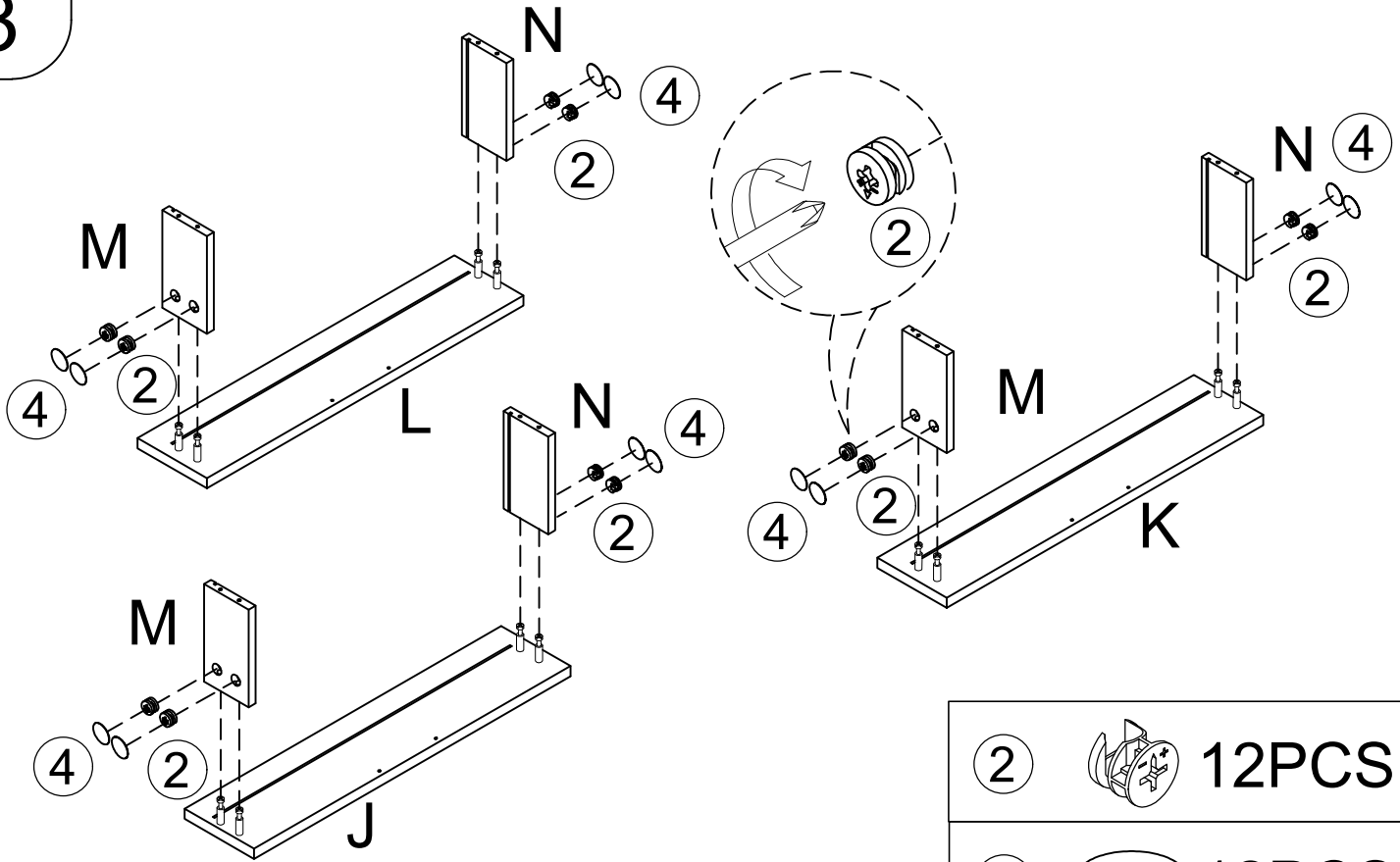


12

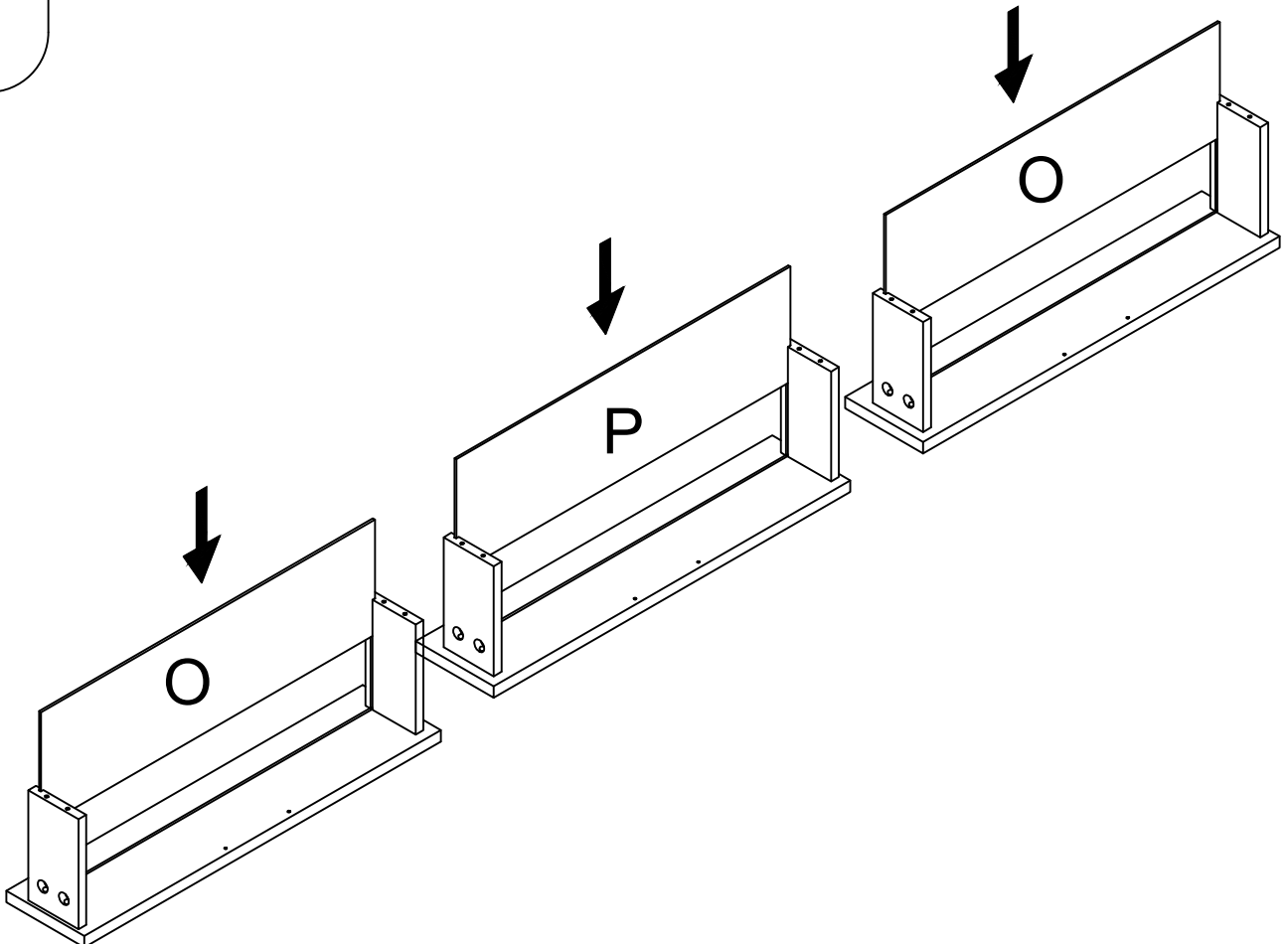


Assemble steps

13

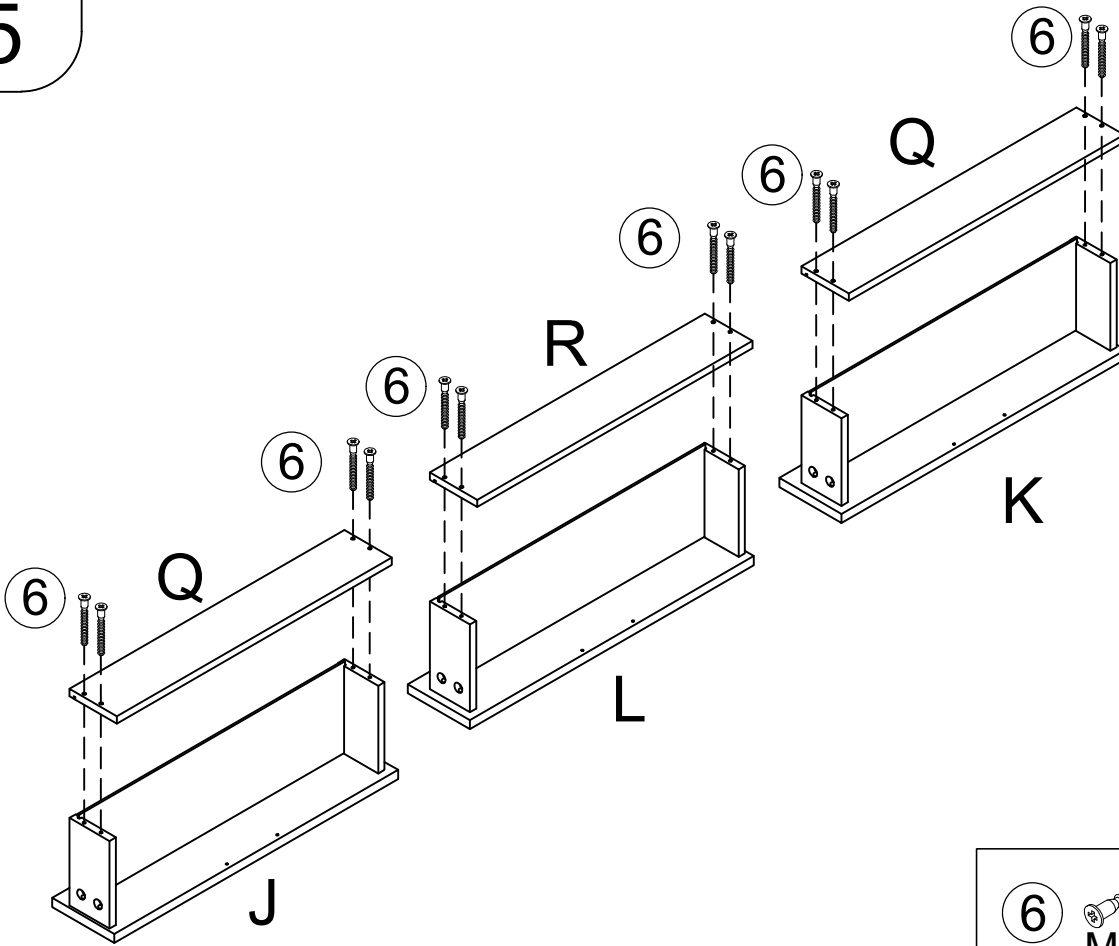



14



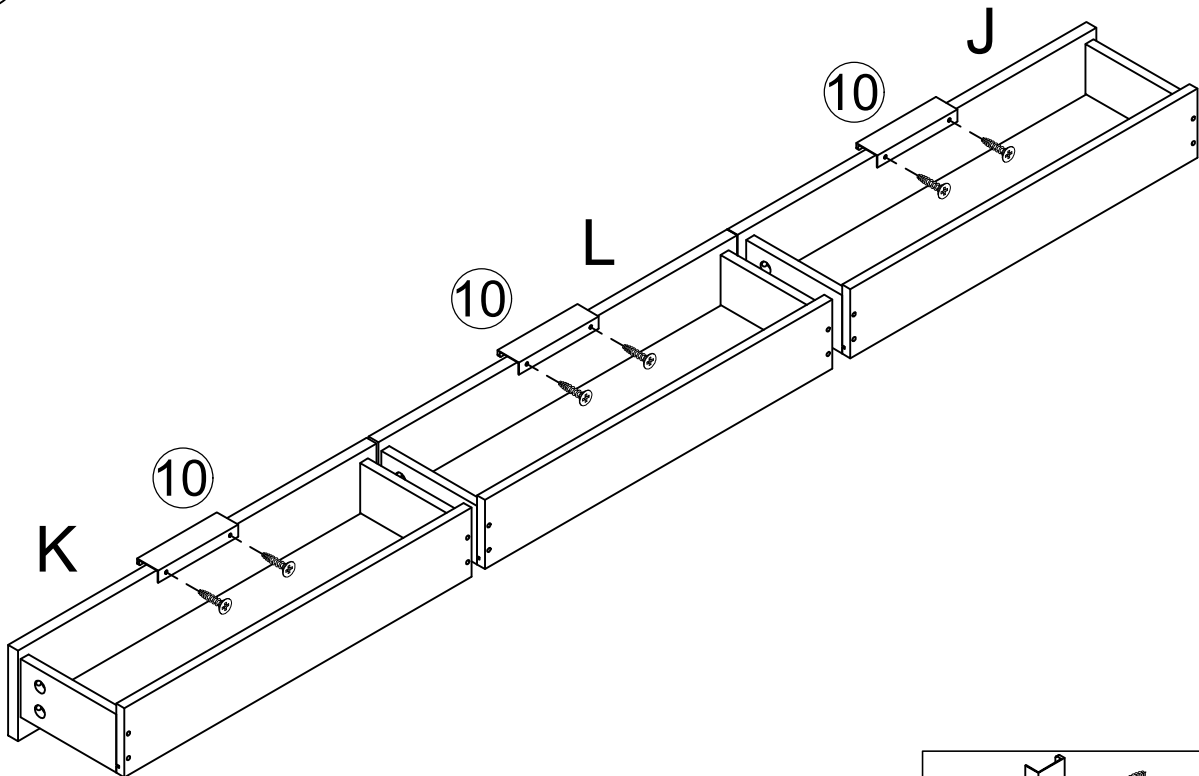
Assemble steps


15



⑥  12PCS
M5*50

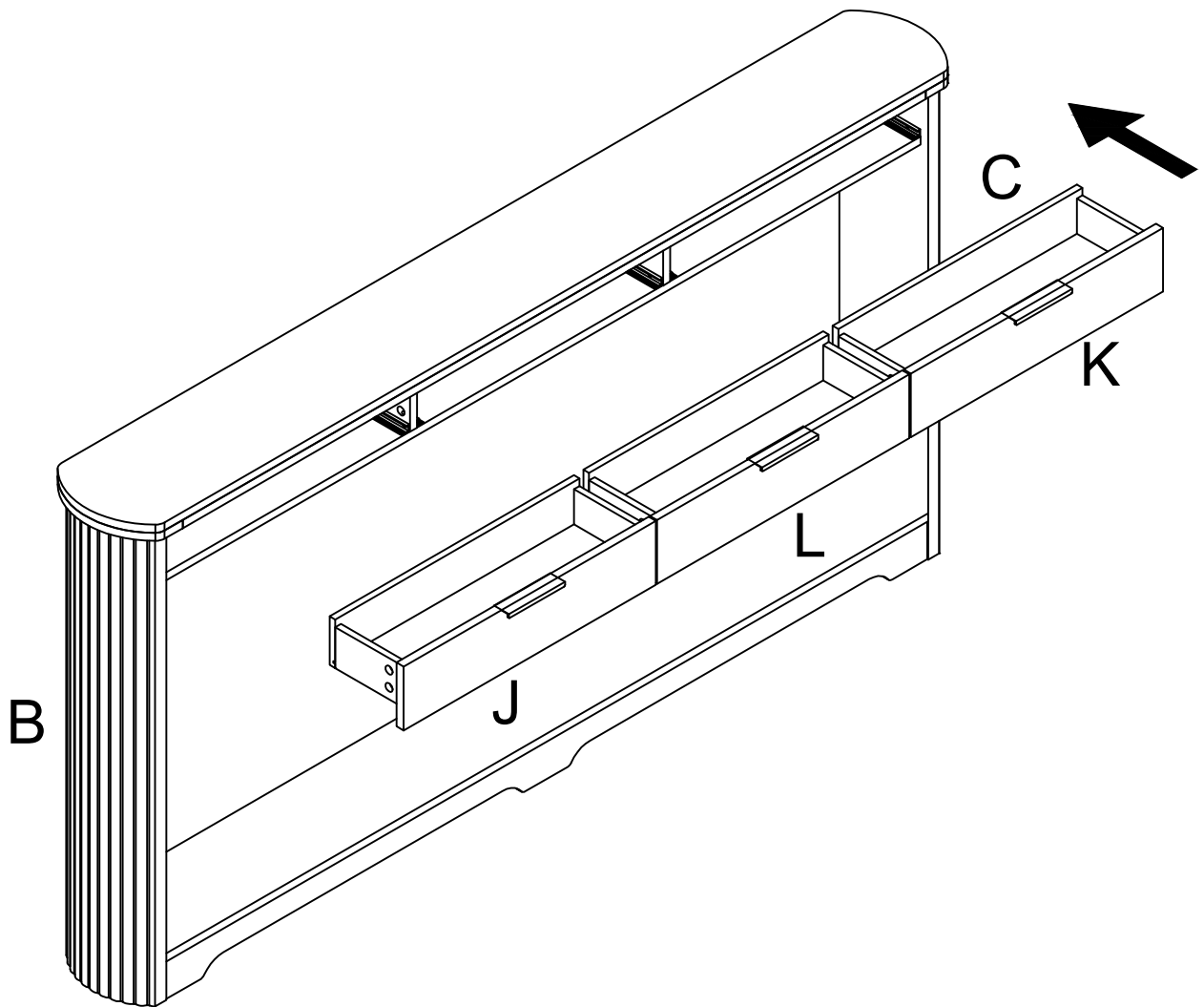
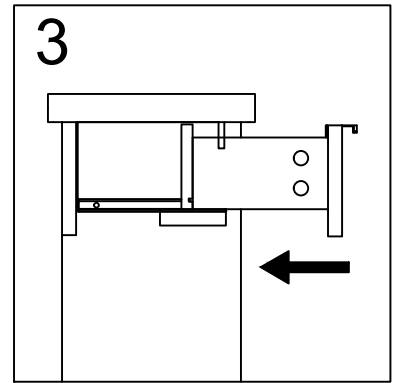
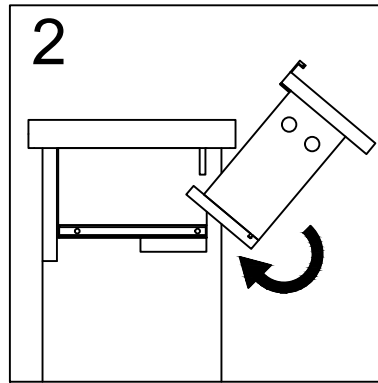
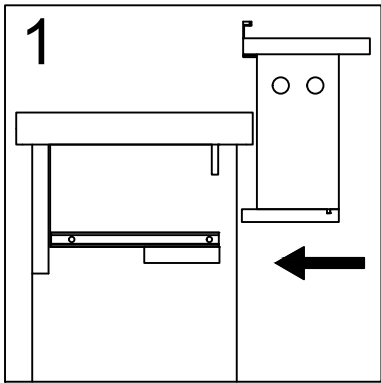
16



⑩  3PCS
Ø3.5*12

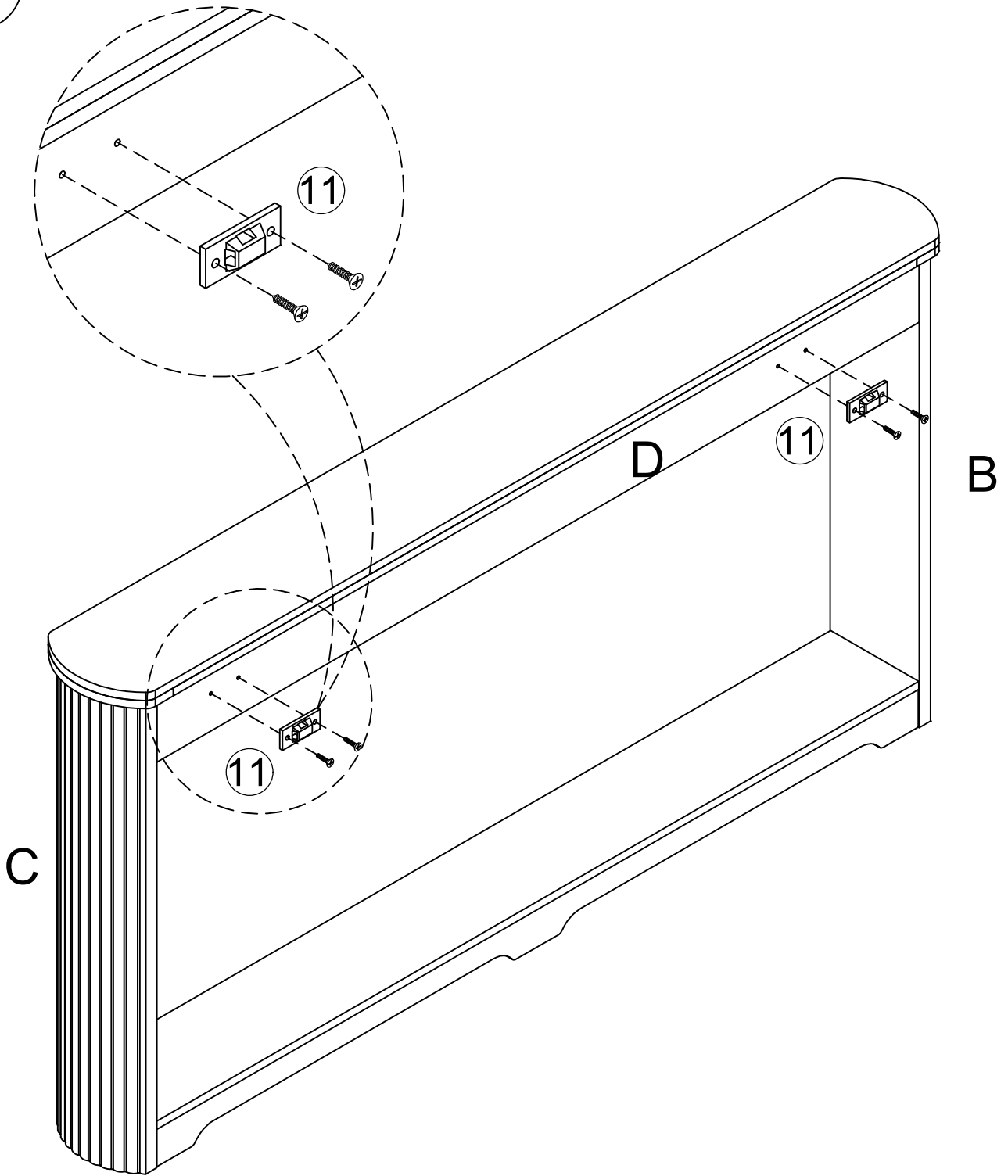
Assemble steps

17



Assemble steps

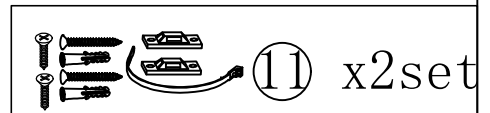
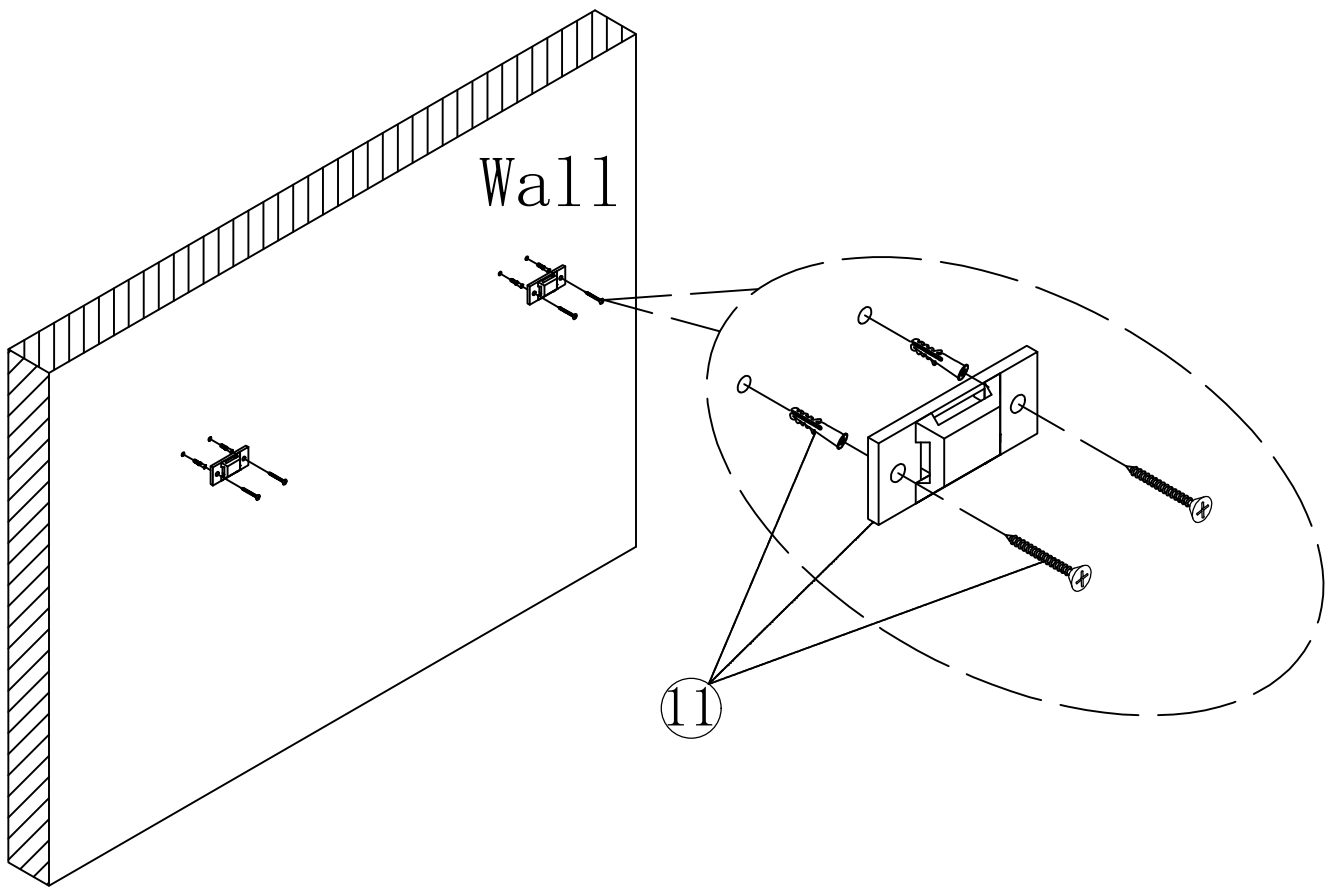
18



 11 x2set

Assemble steps

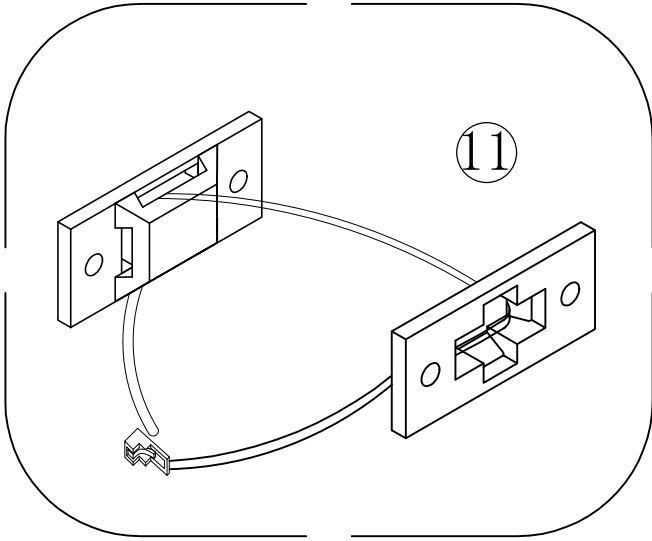
19



Assemble steps

20

Final



Wall

