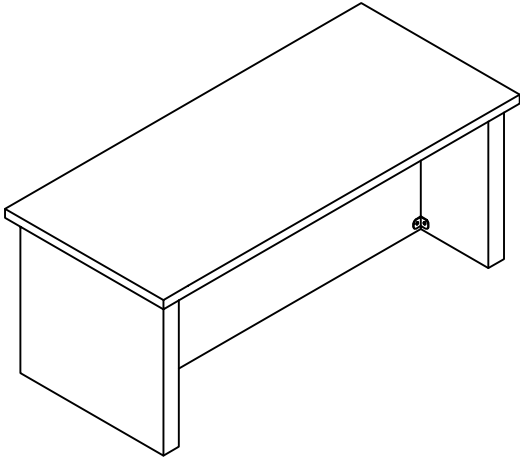



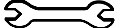
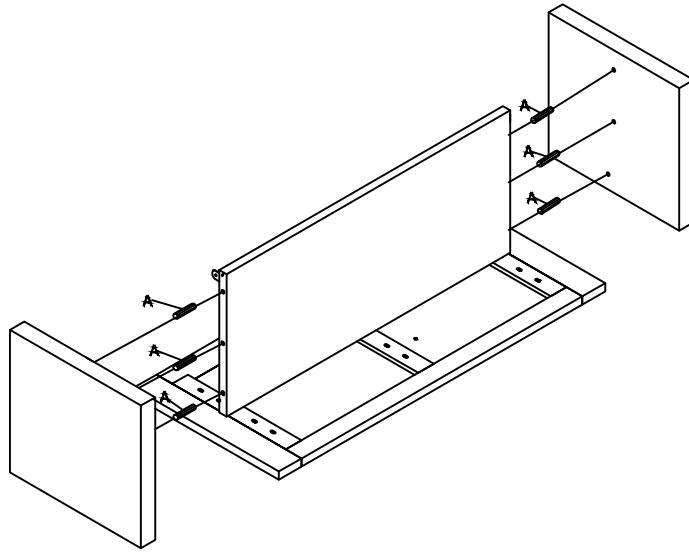


# ASSEMBLY INSTRUCTION



NO.:	HARDWARE LIST	Q'TY
B	 25mm	12
C	 Ø25mm	12
D		6
E		1

## STEP 1



## STEP 2

