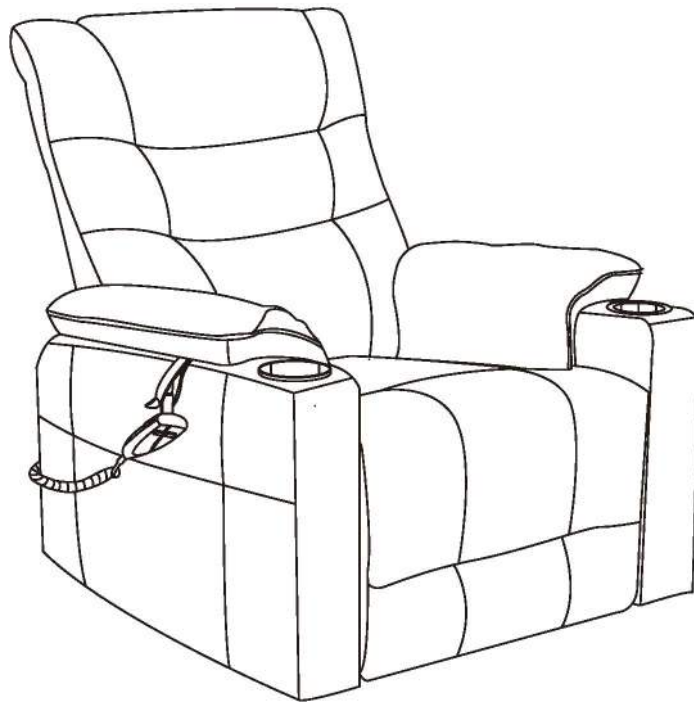


# **Electric Massage Lift Recliner**

## **Instruction Manual**



**Size:W 33.5" x D 37.4" x H 40.2"**

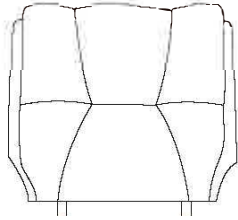
**Functions: Stand Assist / Electric Reclining / Massage / Lumbar Heating**

## **Warning**

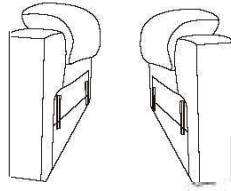
- ①** The maximum weight capacity of the recliner is 350 lbs (159 kg)
- ②** Use only on a flat, stable surface
- ③** Do not allow children under 5 years old to use the chair unattended
- ④** Do not sit on the armrests
- ⑤** Do not stand on the chair or use it as a ladder or footrest
- ⑥** Do not place heavy items on the chair or use it as a trolley
- ⑦** Avoid contact with sharp or hooked objects to prevent damage

# Packing List

## Package 1



Ⓐ Backrest

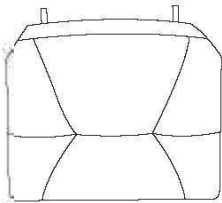


Ⓑ Armrest

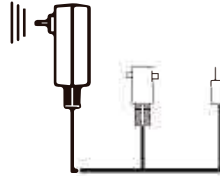


Ⓒ Instruction Manual

## Package 2

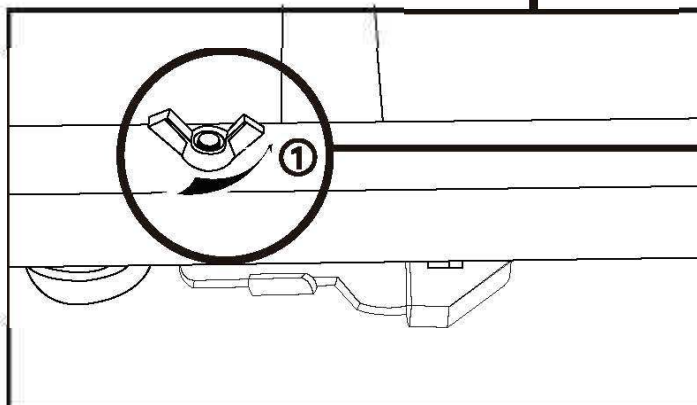
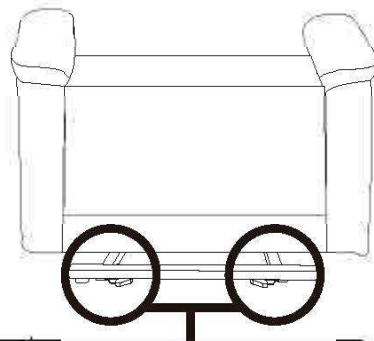


Ⓓ Seat Cushion



Ⓔ Power Supply

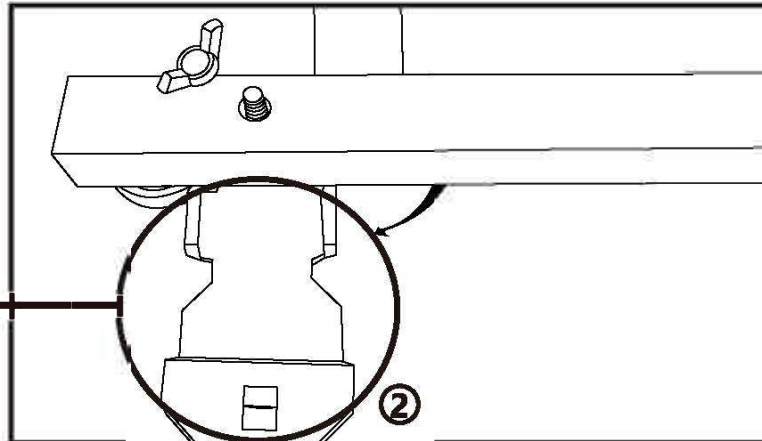
## Step1: Iron Frame Valgus



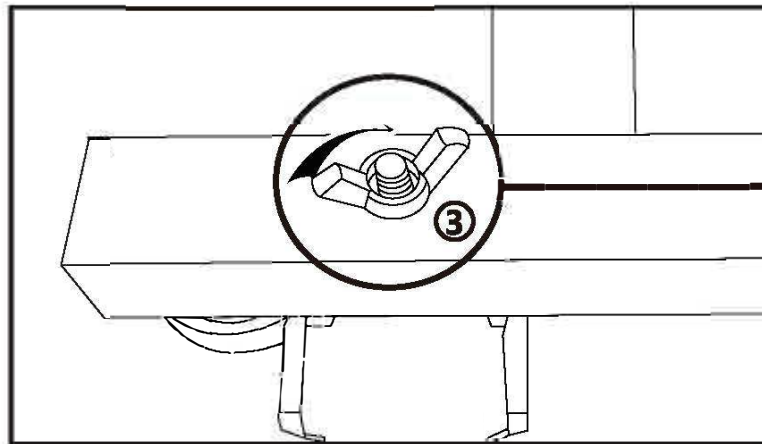
Unscrew the Y-shaped screw

# Installation Steps

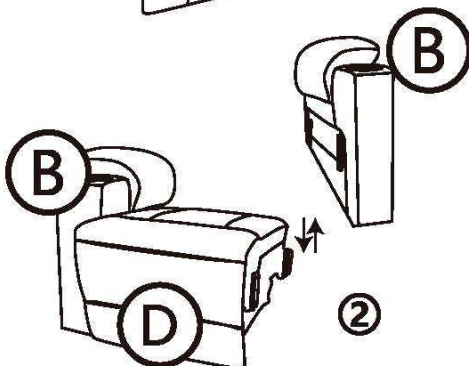
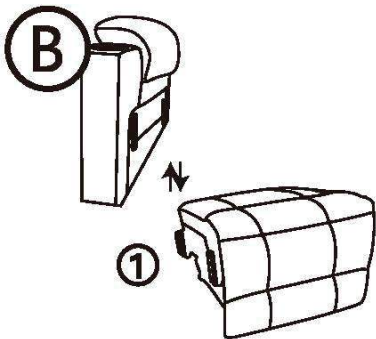
Rotate the metal plate to the position shown in the image



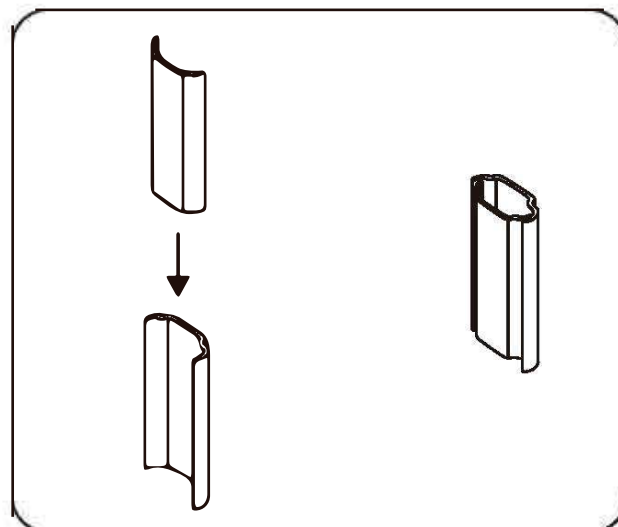
Tighten the Y-shaped screw



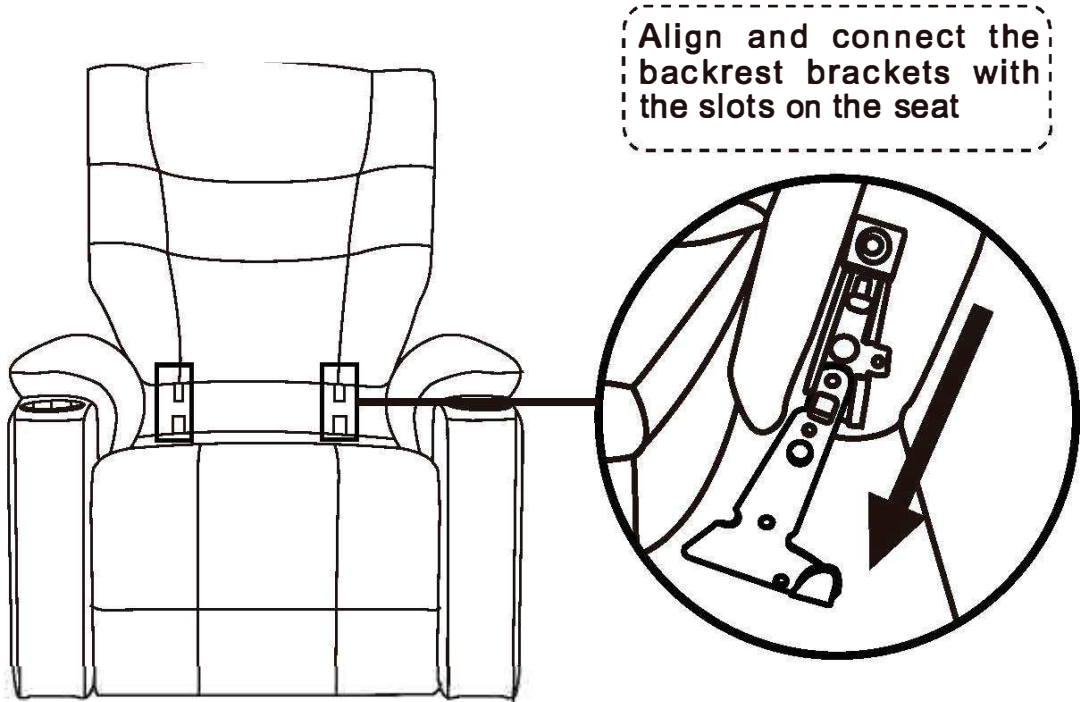
## Step 2: Install the Armrests



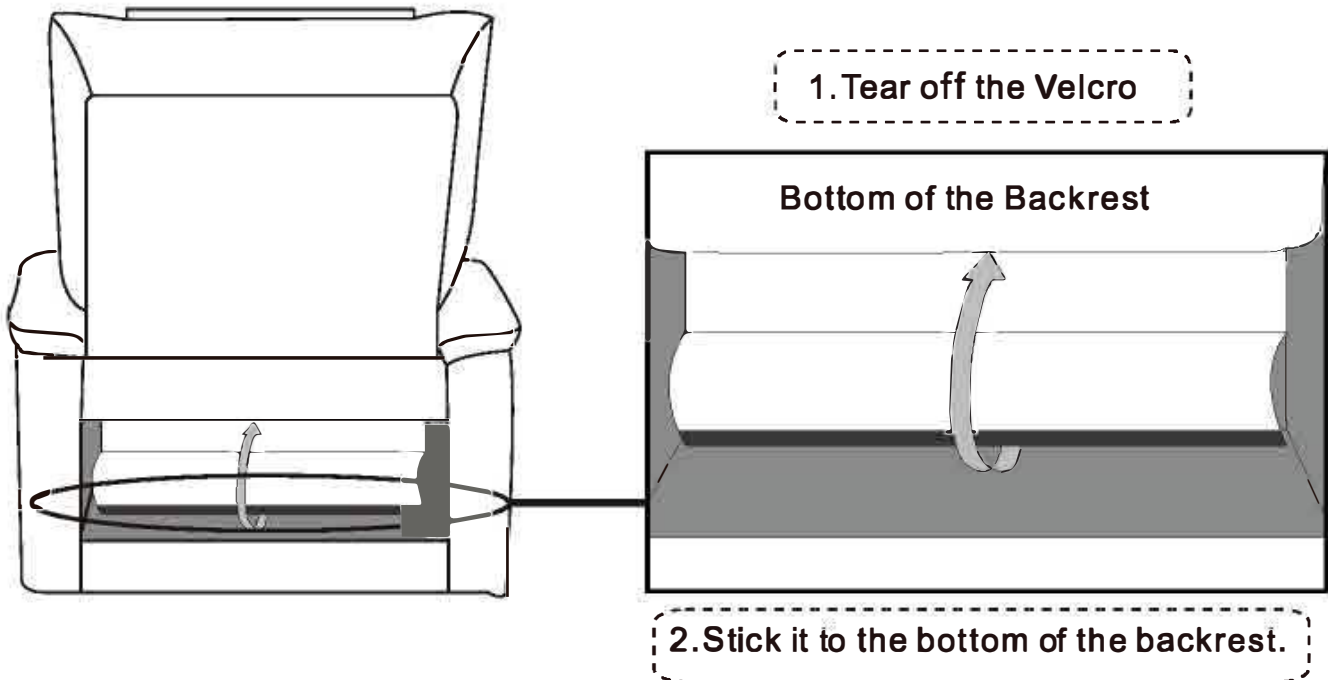
Insert the metal brackets from top to bottom



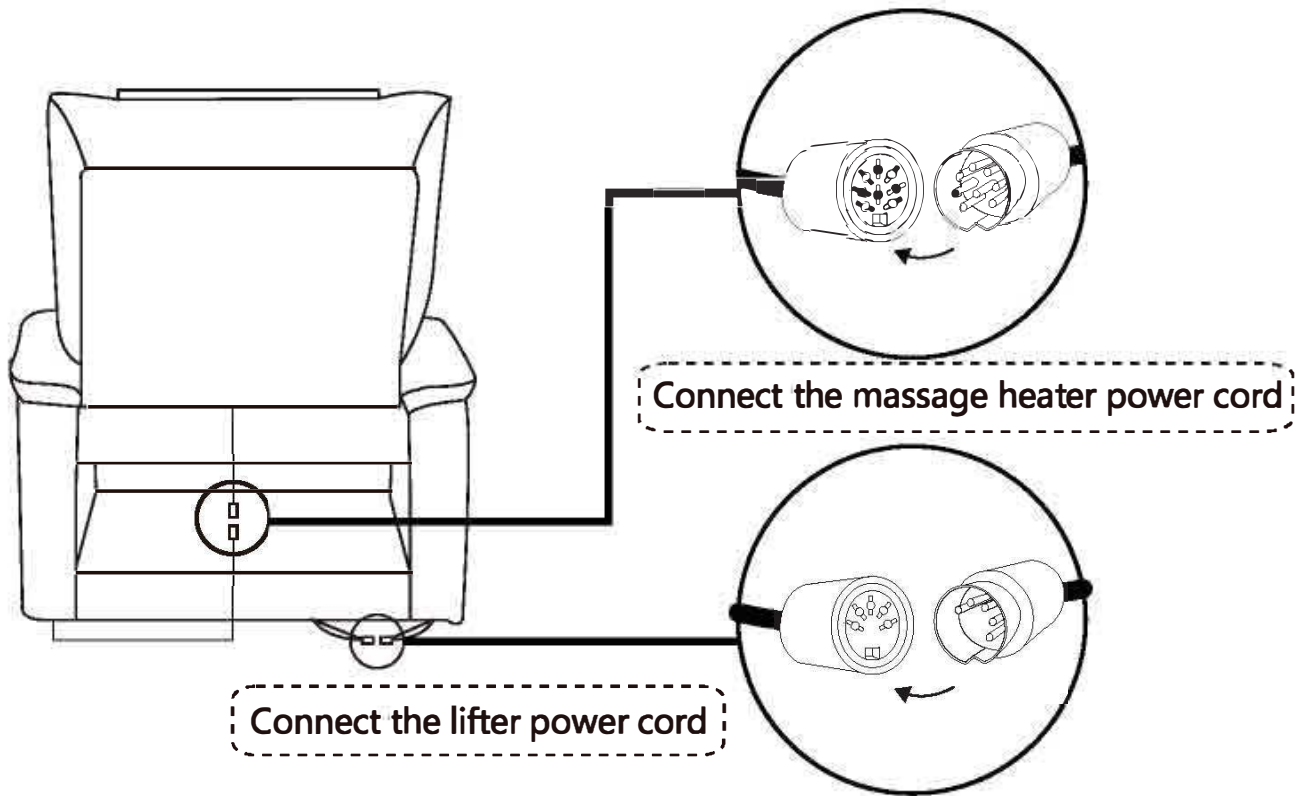
### Step 3: Install the Backrest



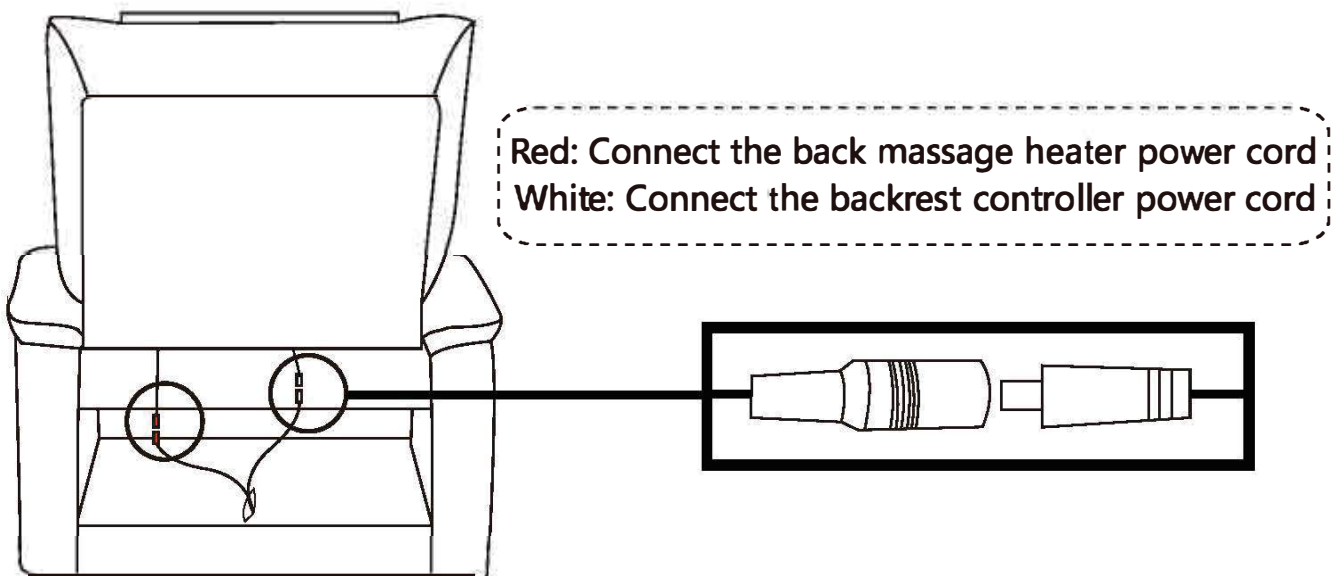
### Step 4: Attach Protective Pad



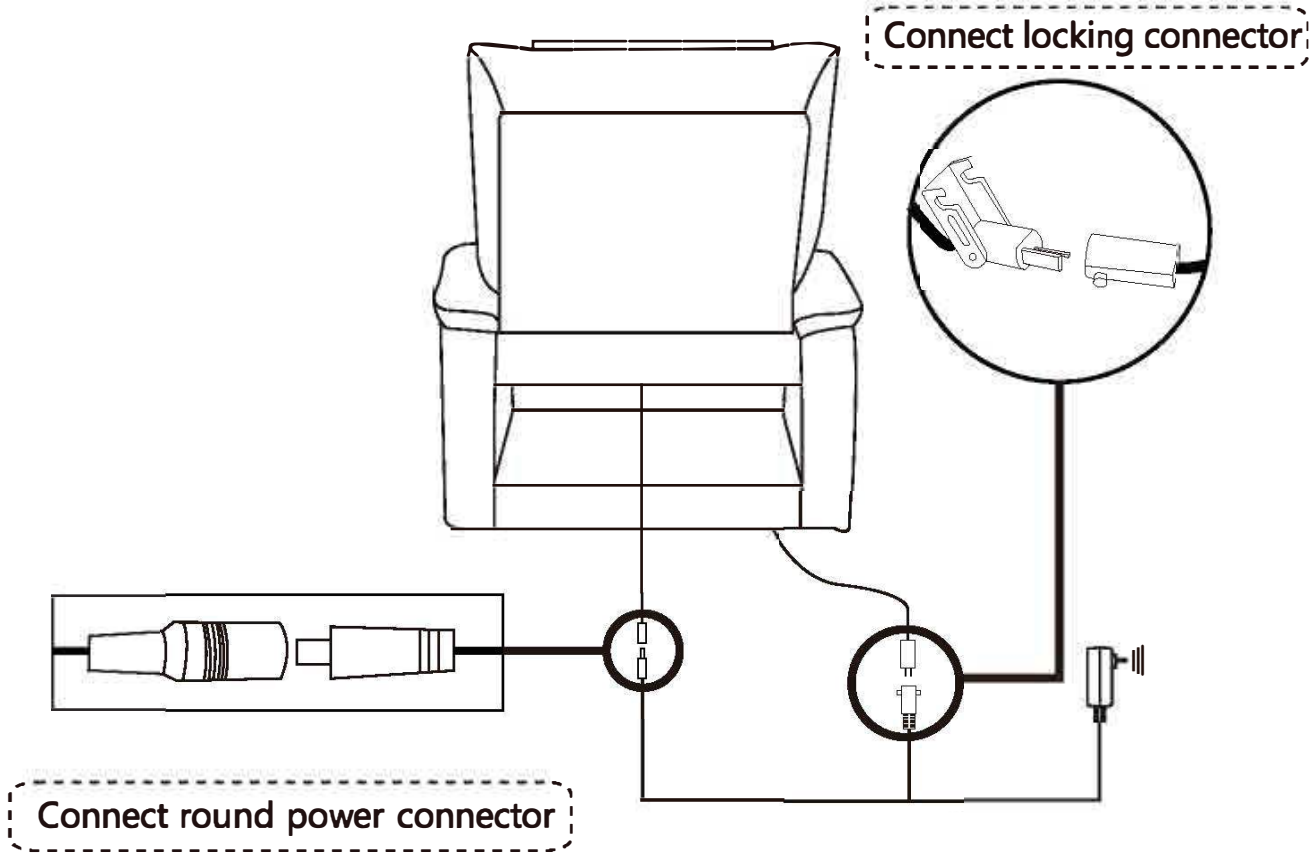
## Step 4-1: Connect the Power Cord



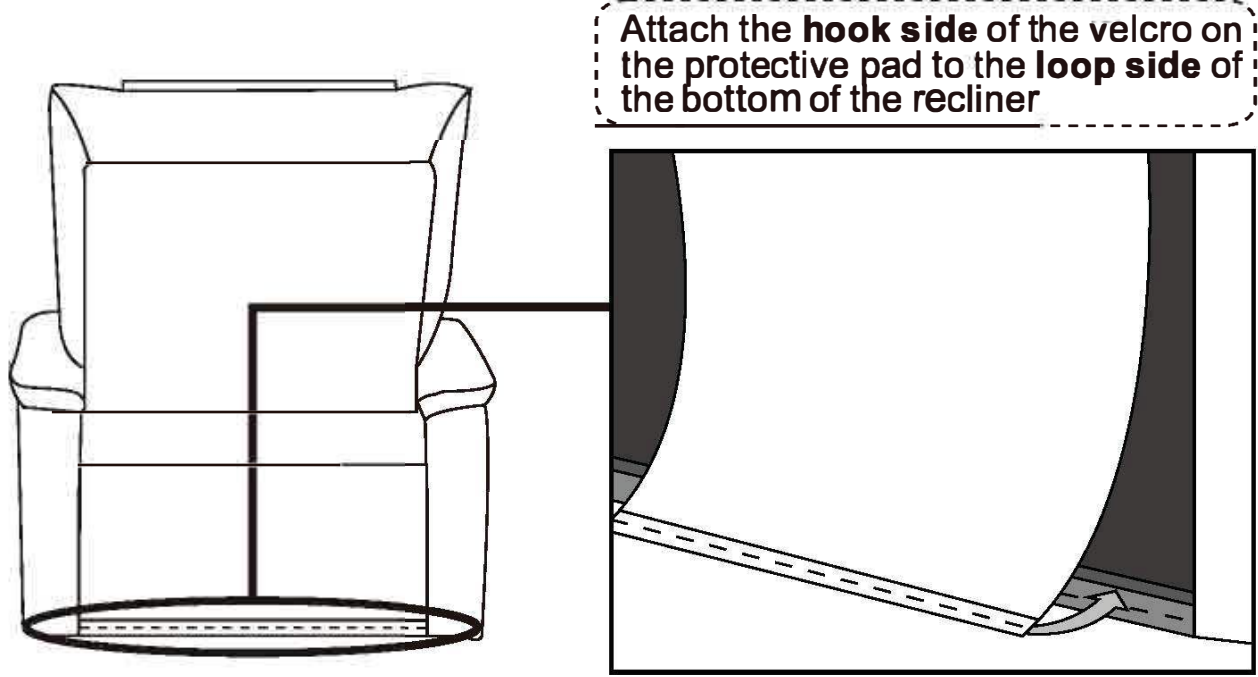
## Step 4-2 : Connect the Power Cord



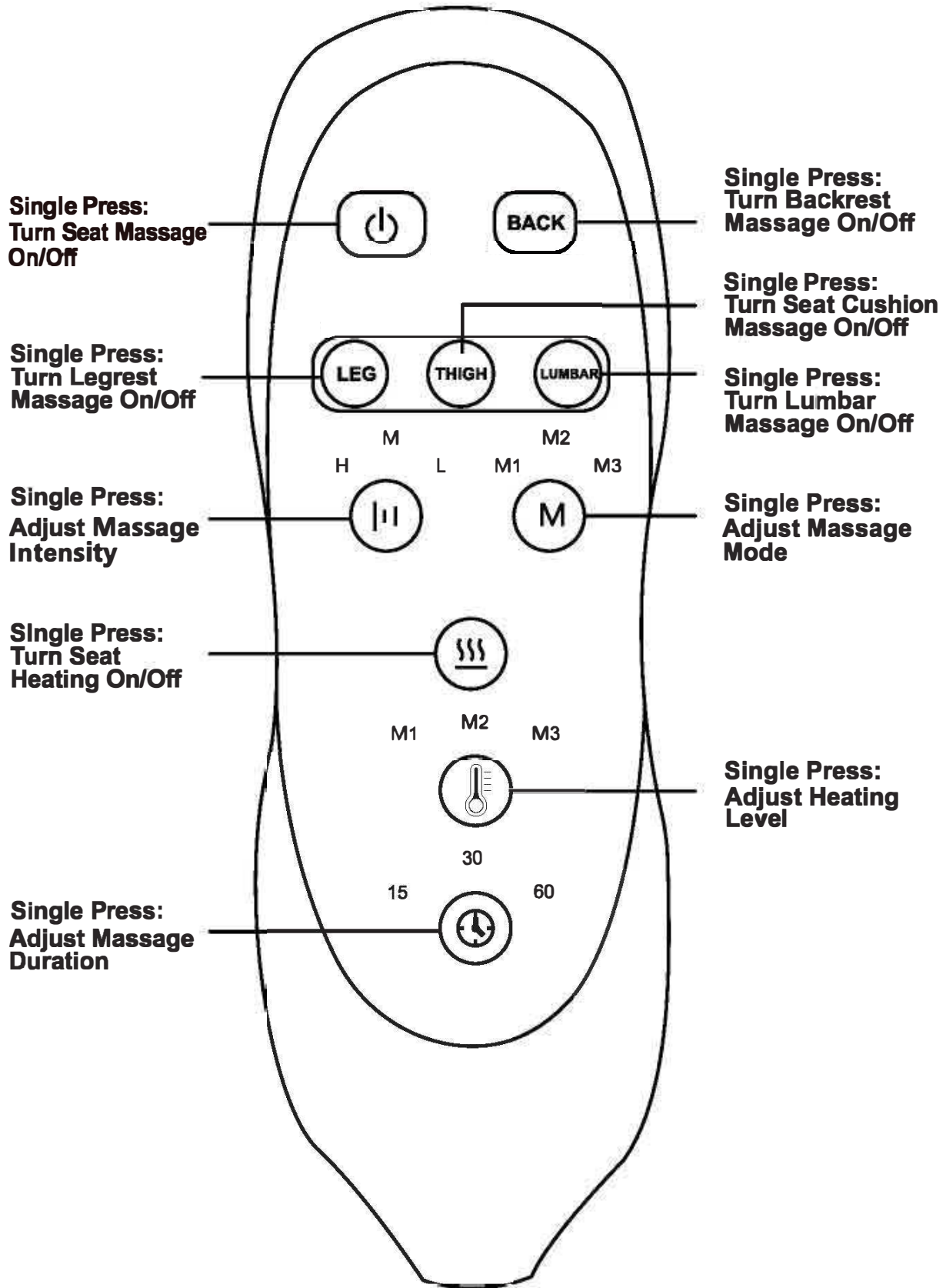
## Step 4-3: Connect the Power Cord













## Step 5: Secure the Protective Pad



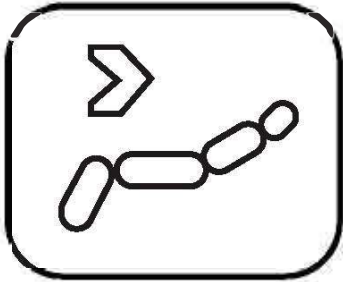
# Massage Heating Controller



# Controller Button Description

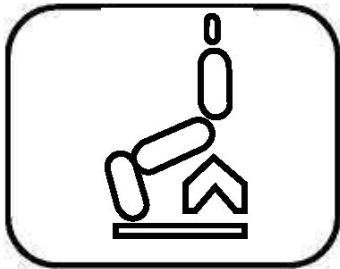
	Single Press: Turn Seat Massage On/Off (Activates all massage functions)	
	Single Press: Turn Backrest Massage On/Off When the massage function is on press this button to activate backrest massage only	
	Single Press: Turn Footrest Massage On/Off When the massage function is on press this button to activate footrest massage only	
	Single Press: Turn Seat Cushion Massage On/Off When the massage function is on press this button to activate seat cushion massage only	
	Single Press: Turn Lumbar Massage On/Off When the massage function is on press this button to activate lumbar massage only	
	<b>15</b>	Press this button to set massage duration to 15 minutes
	<b>30</b>	Press this button to set massage duration to 30 minutes
	<b>60</b>	Press this button to set massage duration to 60 minutes
	<b>H</b>	Press this button to set massage intensity to High
	<b>M</b>	Press this button to set massage intensity to Medium (default level when massage is activated)
	<b>L</b>	Press this button to set massage intensity to Low
	<b>M1</b>	Press this button to activate Pulse Massage
	<b>M2</b>	Press this button to activate Continuous Massage
	<b>M3</b>	Press this button to activate Rotating Massage (alternates among four zones)
 	<b>Start</b>	Press this button to turn Seat Heating On/Off
	<b>M1</b>	Press this button to set heating level to Low
	<b>M2</b>	Press this button to set heating level to Medium
	<b>M3</b>	Press this button to set heating level to High

# Controller Function Introduction



## The footrest extends and the backrest reclines simultaneously

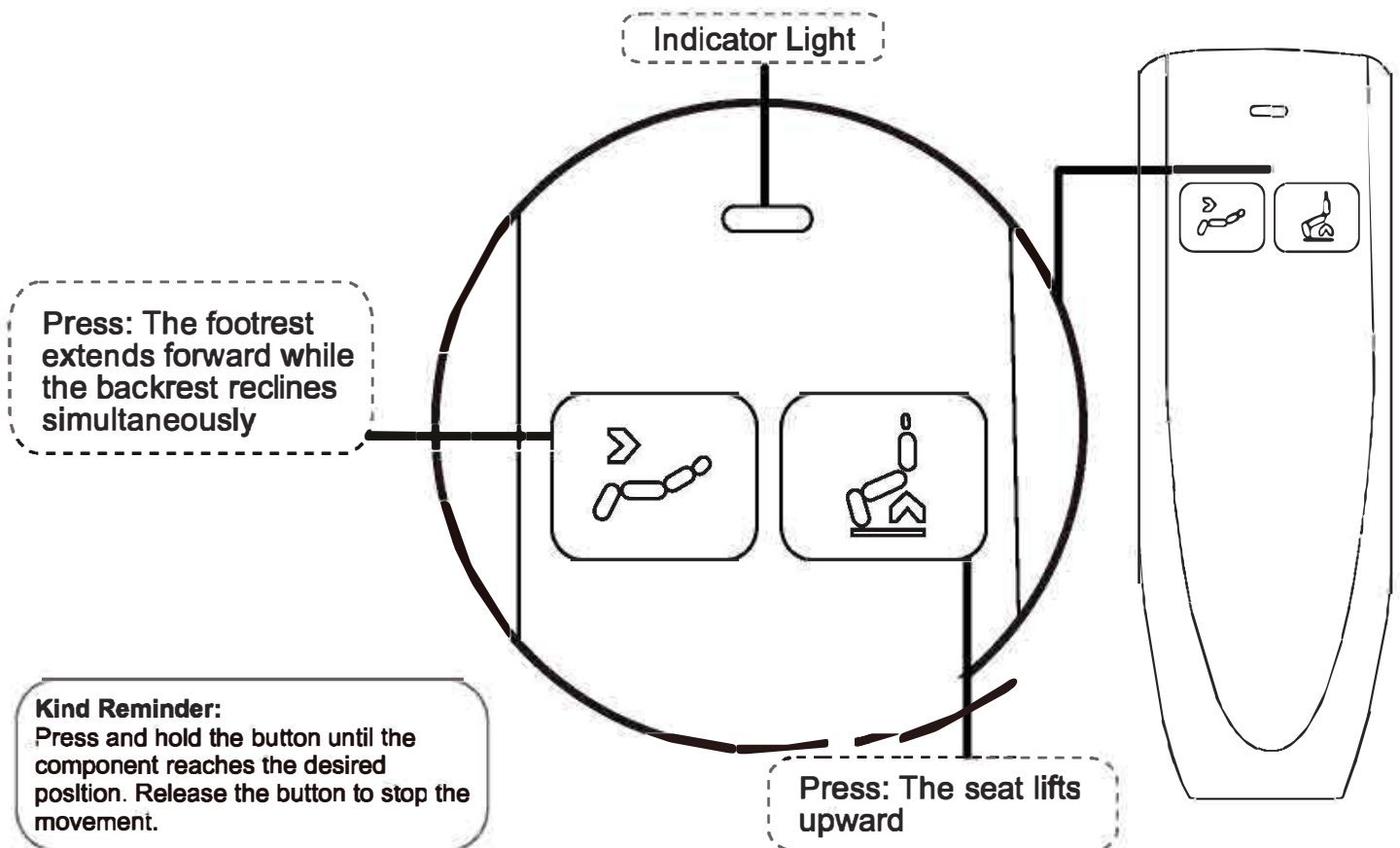
If the seat is fully lifted, press and hold this button to return the seat to its default position. Once reset, press again to extend the footrest and recline the backrest simultaneously.



## Seat Lifting

If the seat is fully reclined, press and hold this button to retract the footrest and return the seat to upright position.

After the seat returns to its upright position, pressing this button again will gradually lift the seat. When the seat is in use, support your legs firmly. As the seat rises, release the button at a suitable height and leave the seat slowly and carefully.



# Help Center

**Q: Why did I only receive part of the recliner?**

A: The recliner is shipped in two separate packages, which may arrive at different times. Thank you for your patience and understanding.

**Q: Why does the color of the recliner look different from the pictures?**

A: Slight color variations may occur due to lighting during photography, display settings, or dye lot differences. We appreciate your understanding.

**Q: Why does the recliner have a smell upon arrival?**

A: This is normal for new, tightly packaged products. Simply place the recliner in a well-ventilated area for 2–3 days to allow the odor to dissipate.

**Q: There are dents on the recliner. Is it damaged?**

A: Temporary dents can happen due to long-distance transportation, but they will usually return to normal after a short period of use.

**Q: What should I do if parts are missing?**

A: Please contact us and specify which parts are missing, along with photos of what you received. We will arrange replacement or compensation as appropriate.

**Q: What should I do if the recliner is damaged on arrival?**

A: We sincerely apologize for the inconvenience. Please contact our customer service team with photos of the damage, and we will assist you as soon as possible.

**Q: I have suggestions for the product. Where can I share them?**

A: We truly appreciate your feedback! Since we have our own factory, we welcome suggestions for product improvement and innovation. Please feel free to share your ideas with us—we're listening.