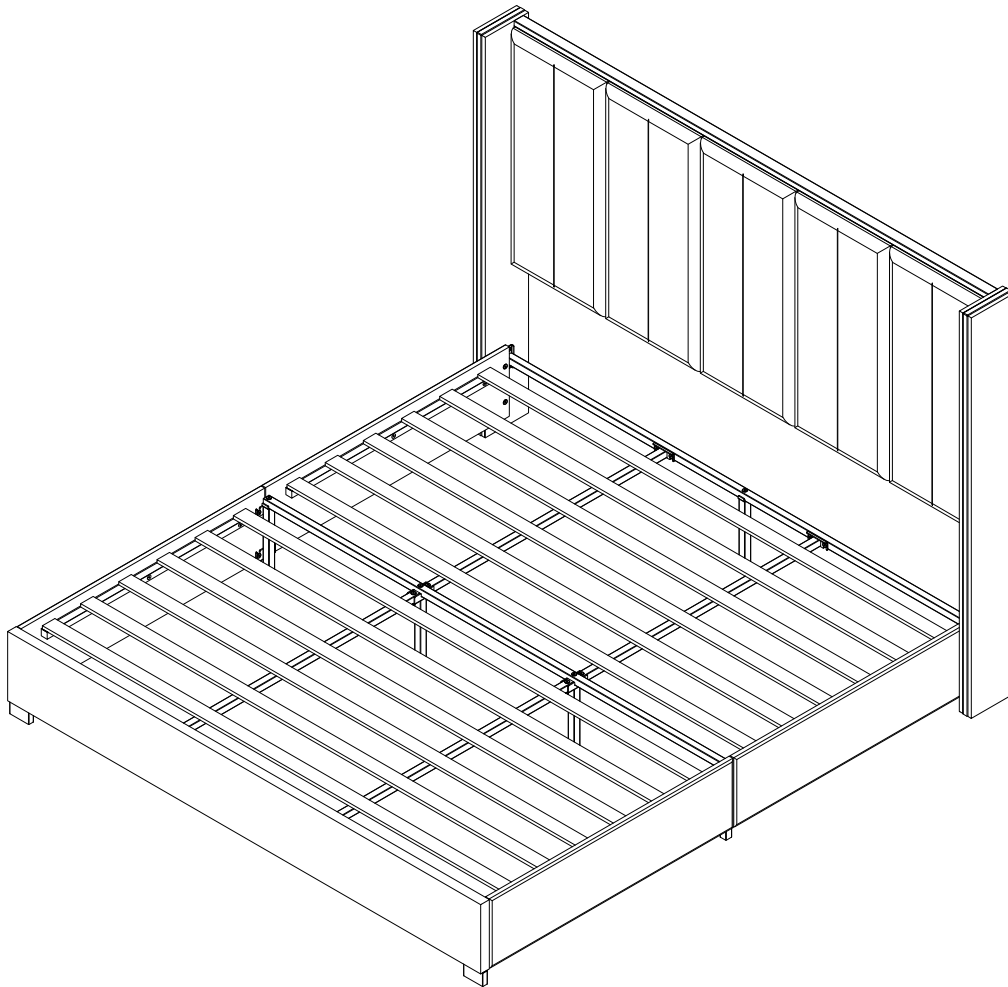
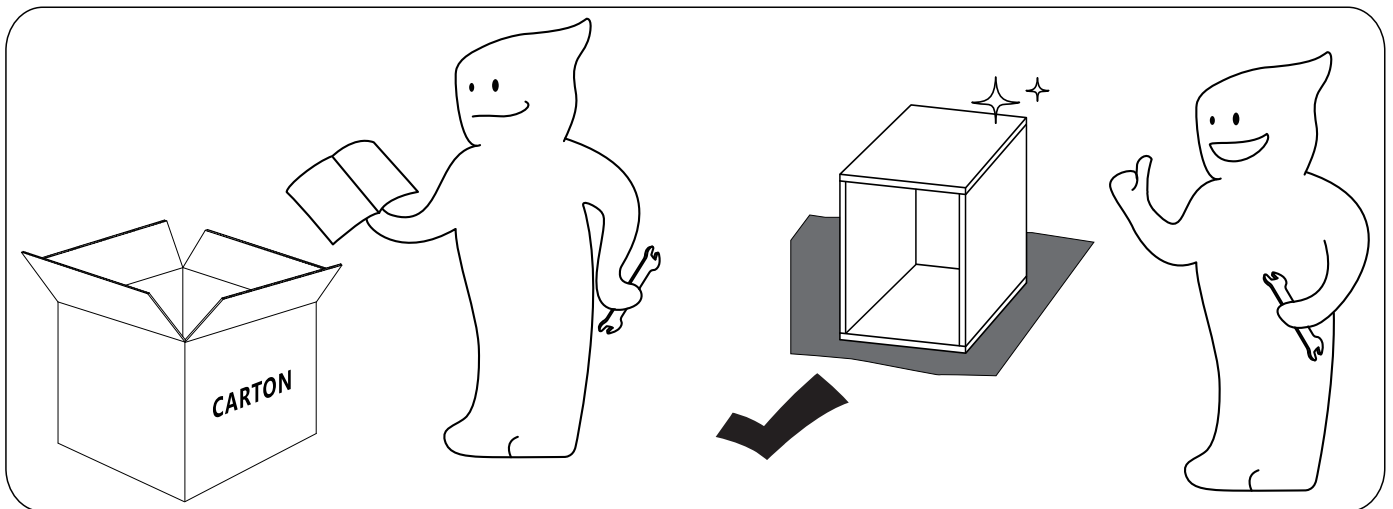
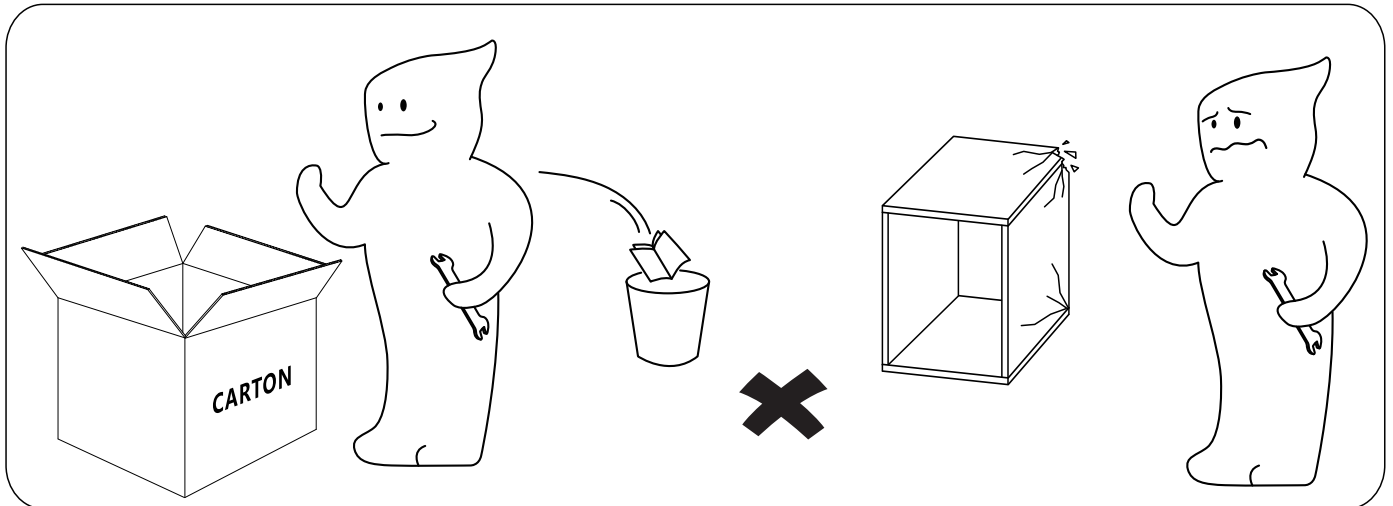


Velvet Upholstered Bed with Metal Trim



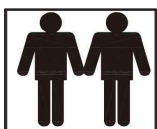
! IMPORTANT

Please follow the instruction manuals and use a pad to protect the product during your assembly.



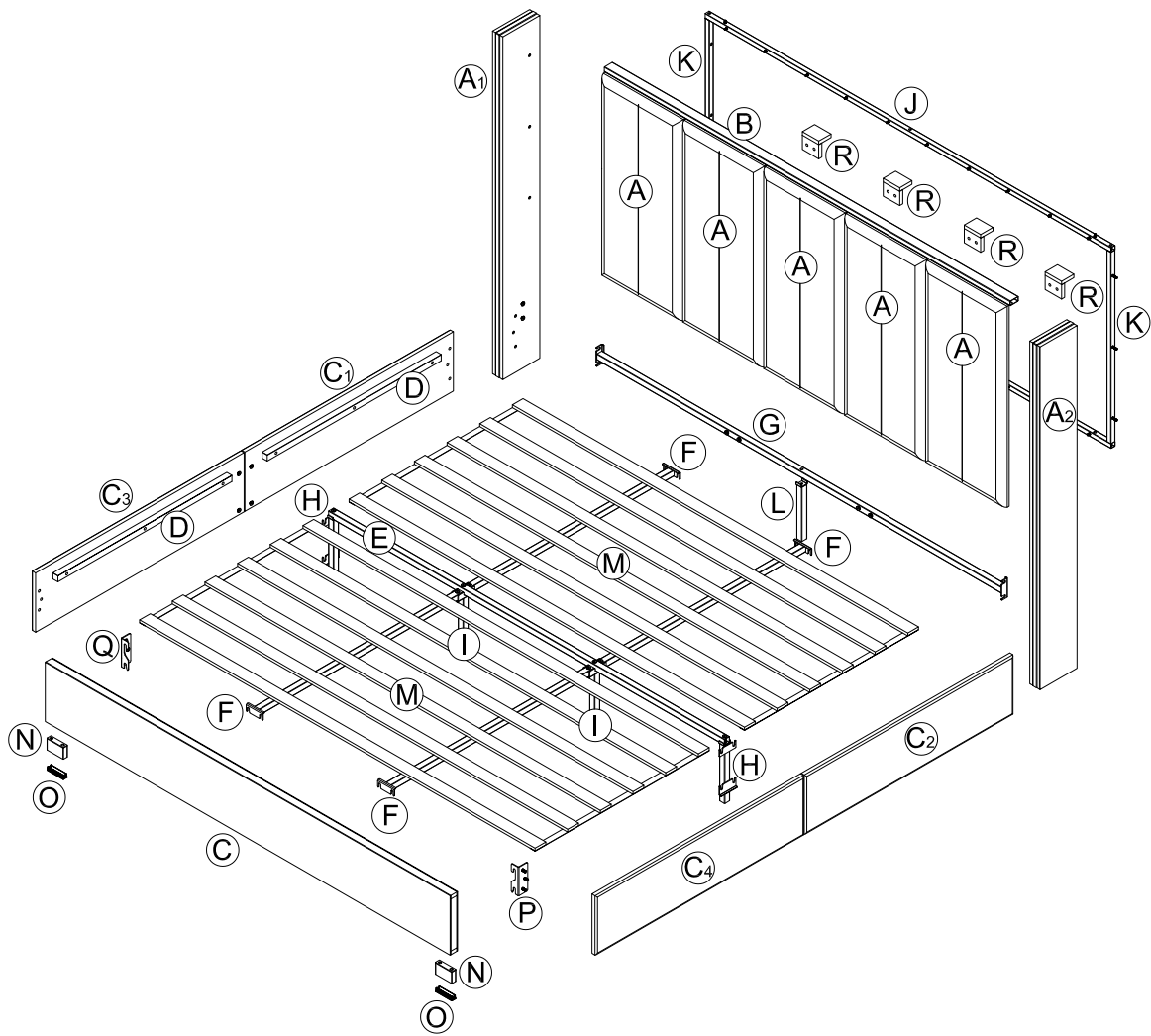
Note:

- 1. Should be assembled on flat ground to keep balance.**
- 2. Before completing the installation, do not tighten the screws.**

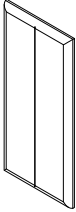


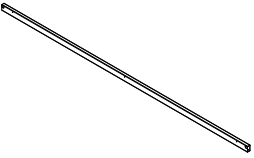
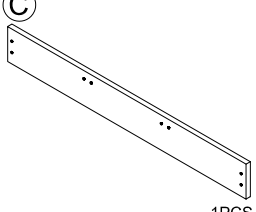
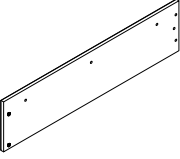
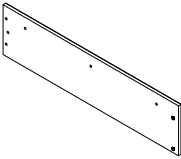
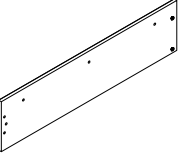
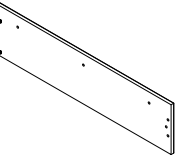
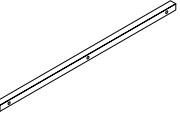
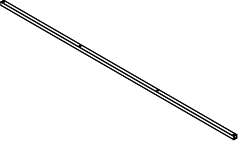
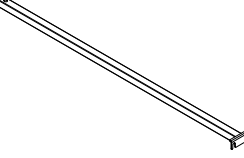
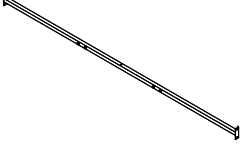
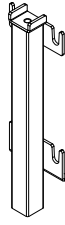
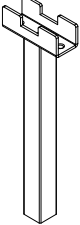
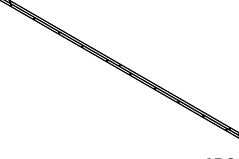
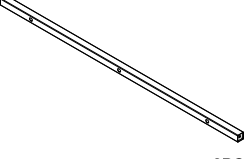

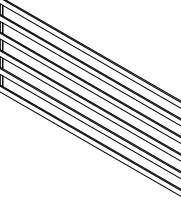
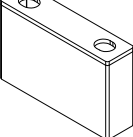

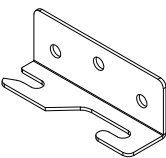
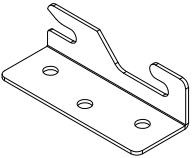
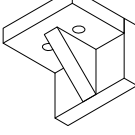
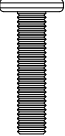

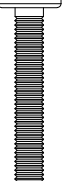




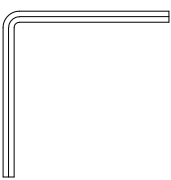


For easier and better assembly, **2** or more adults are required.

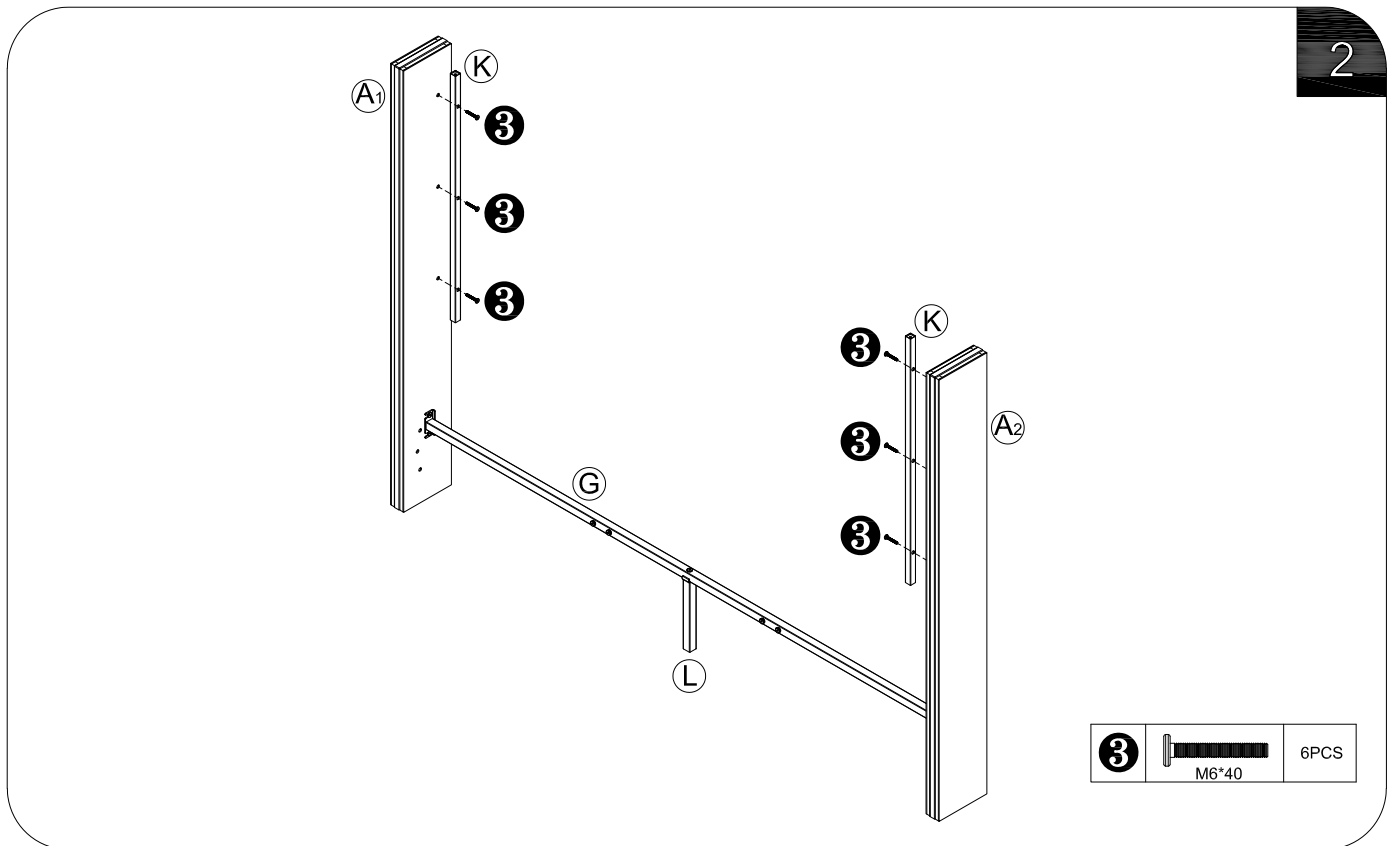
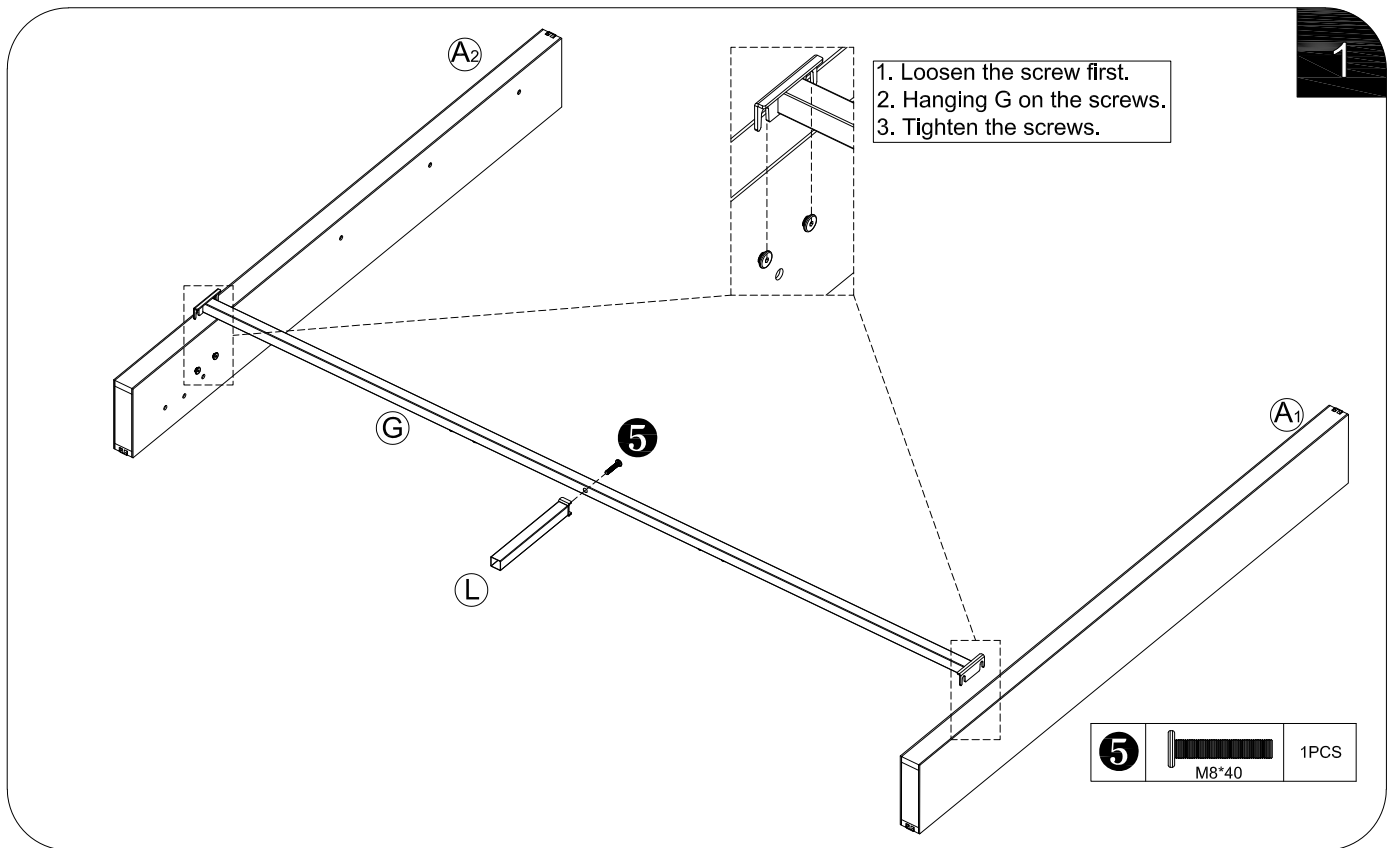
ASSEMBLY INSTRUCTIONS

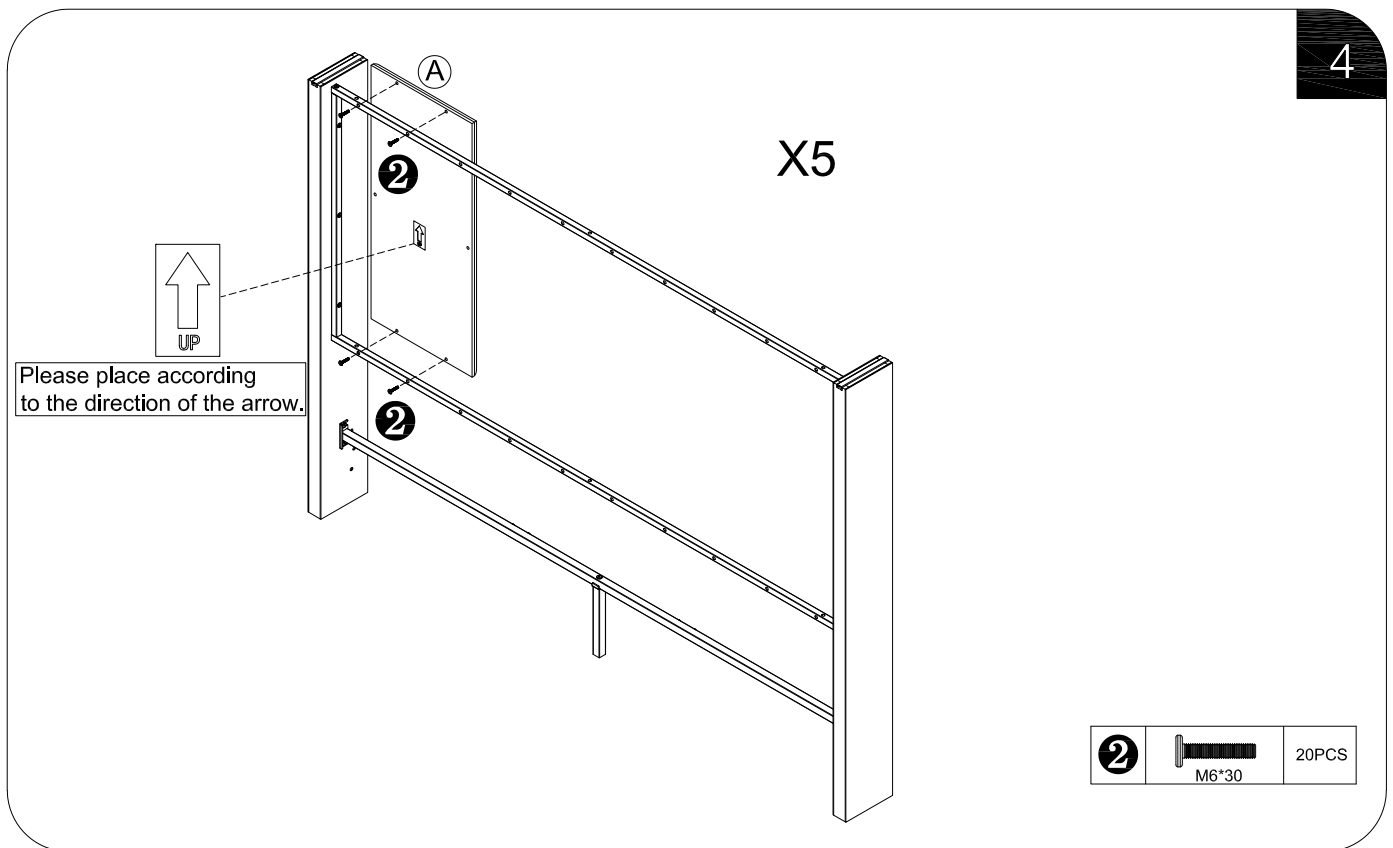
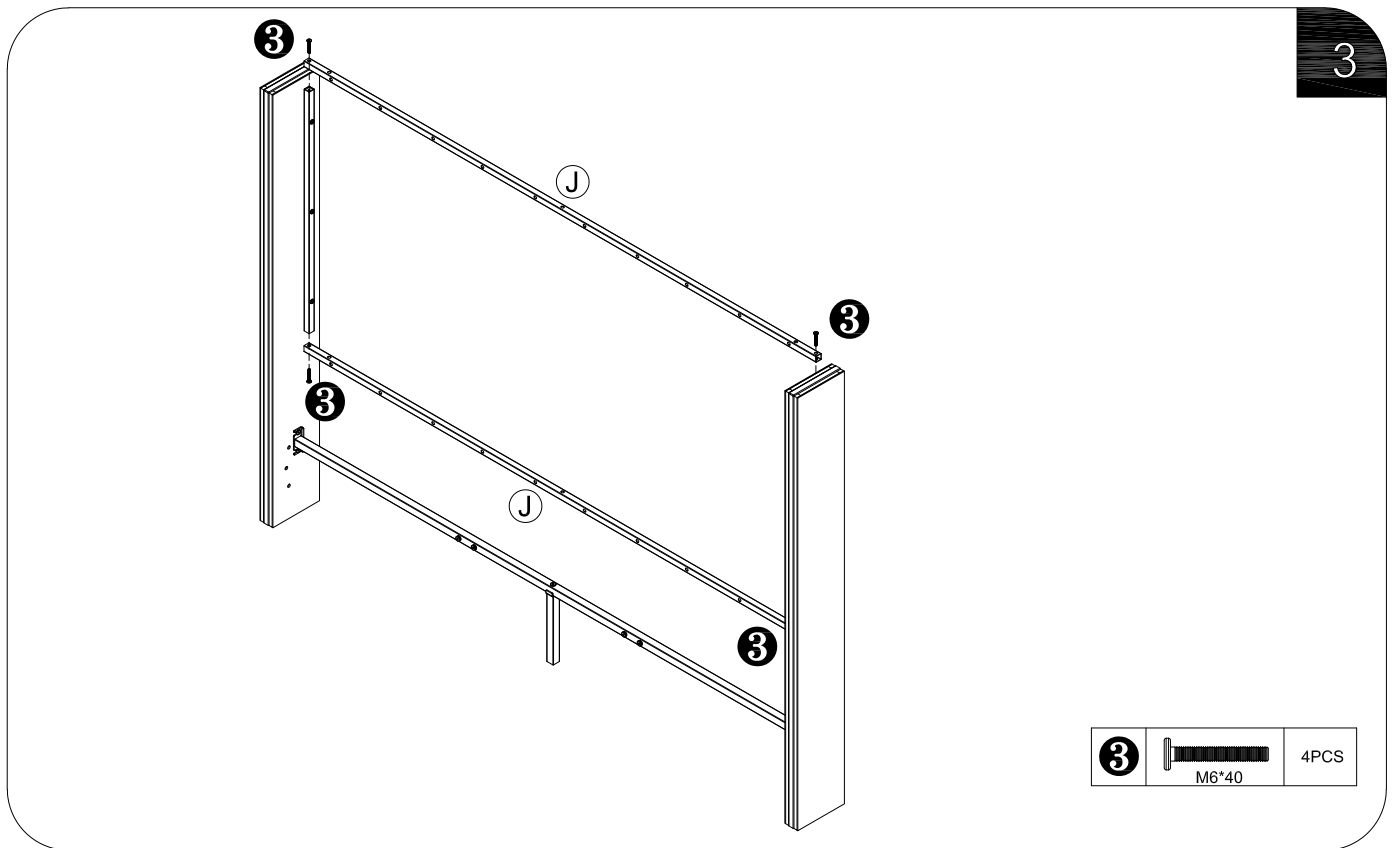


PARTS LIST

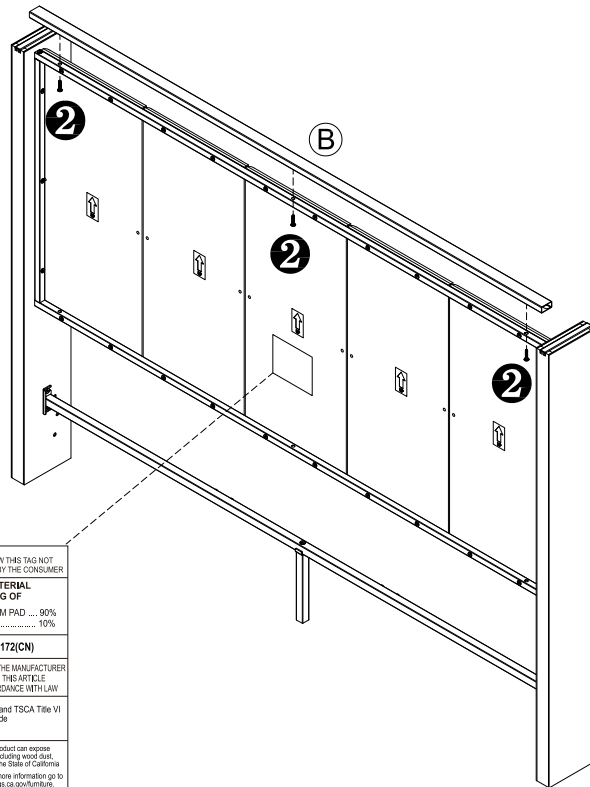
A  5PCS	A₁  1PCS	A₂  1PCS	B  1PCS	C  1PCS
C₁  1PCS	C₂  1PCS	C₃  1PCS	C₄  1PCS	D  4PCS
E  1PCS	F  4PCS	G  1PCS	H  2PCS	I  2PCS
J  2PCS	K  2PCS	L  1PCS	M  2PCS	N  2PCS
O  2PCS	P  1PCS	Q  1PCS	R  4PCS	
1  M6*25 8PCS	2  M6*30 23PCS	3  M6*40 10PCS	4  M8*18 10PCS	5  M8*40 13PCS
6  M8*43 12PCS	7  M8*50 2PCS	8  4*85 1PCS		

ASSEMBLY INSTRUCTIONS





5



NOTICE
 THIS ARTICLE MEETS THE FLAMMABILITY REQUIREMENTS OF CALIFORNIA BUREAU OF ELECTRONIC AND APPLIANCE REPAIR, HOME FURNISHINGS AND THERMAL INSULATION TECHNICAL BULLETIN 117-2013. CARE SHOULD BE EXERCISED NEAR OPEN FLAME OR WITH BURNING CIGARETTES.

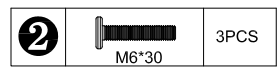
ALL NEW MATERIAL
 CONSISTING OF
 POLYURETHANE FOAM PAD ... 90%
 POLYESTER FIBER,..... 10%

REG.NO. UT 6172(CN)

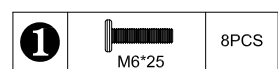
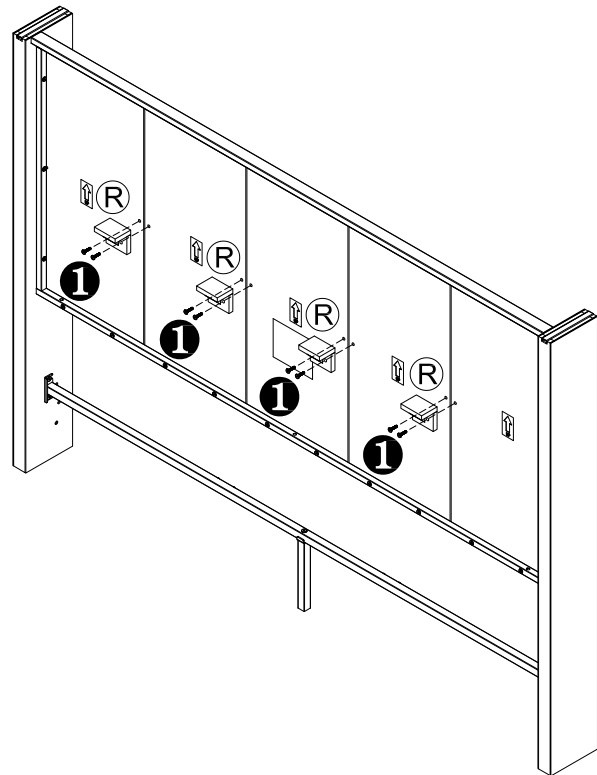
CERTIFICATION IS MADE BY THE MANUFACTURER THAT THE MATERIAL IN THIS ARTICLE ARE DESCRIBED IN ACCORDANCE WITH LAW

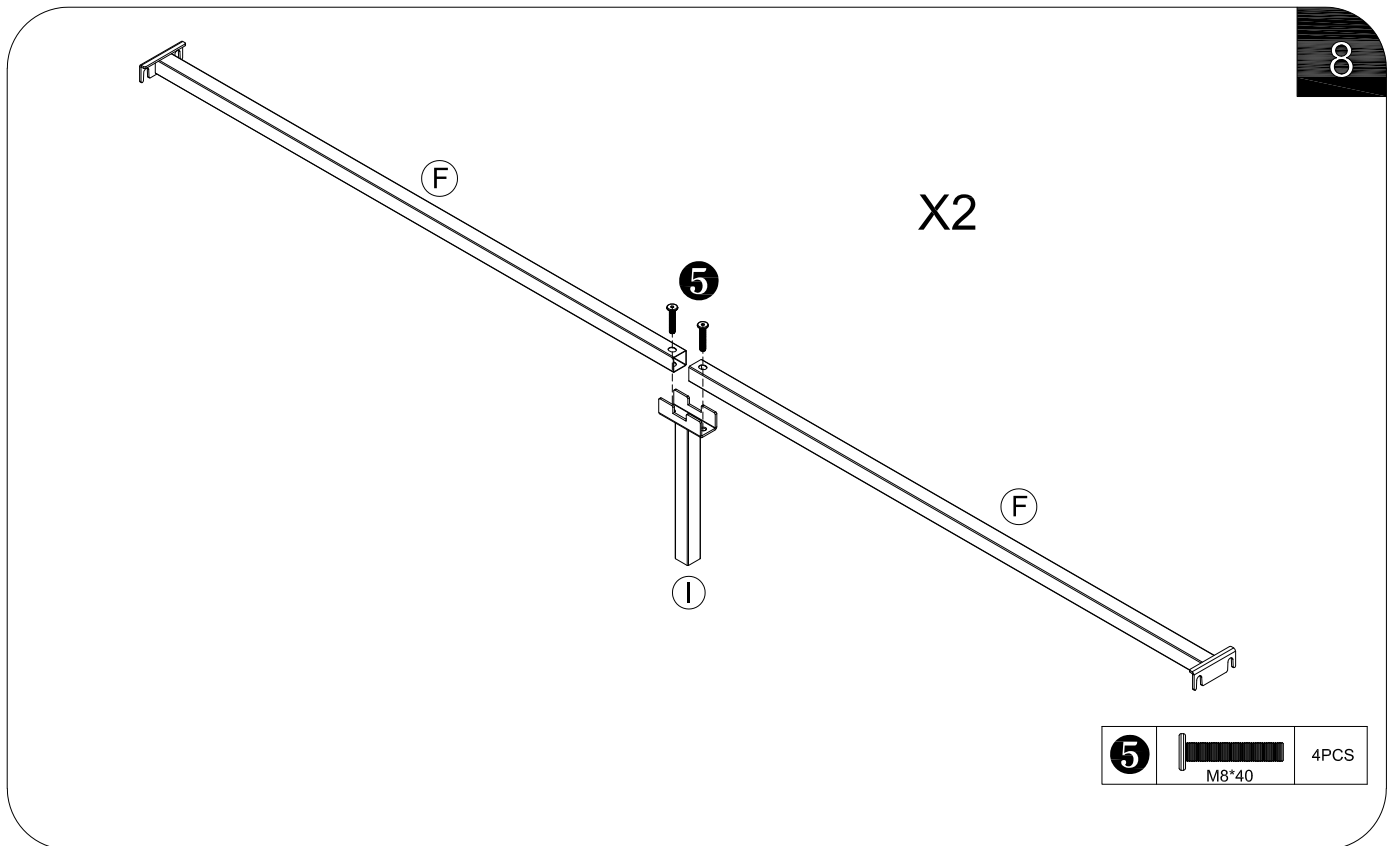
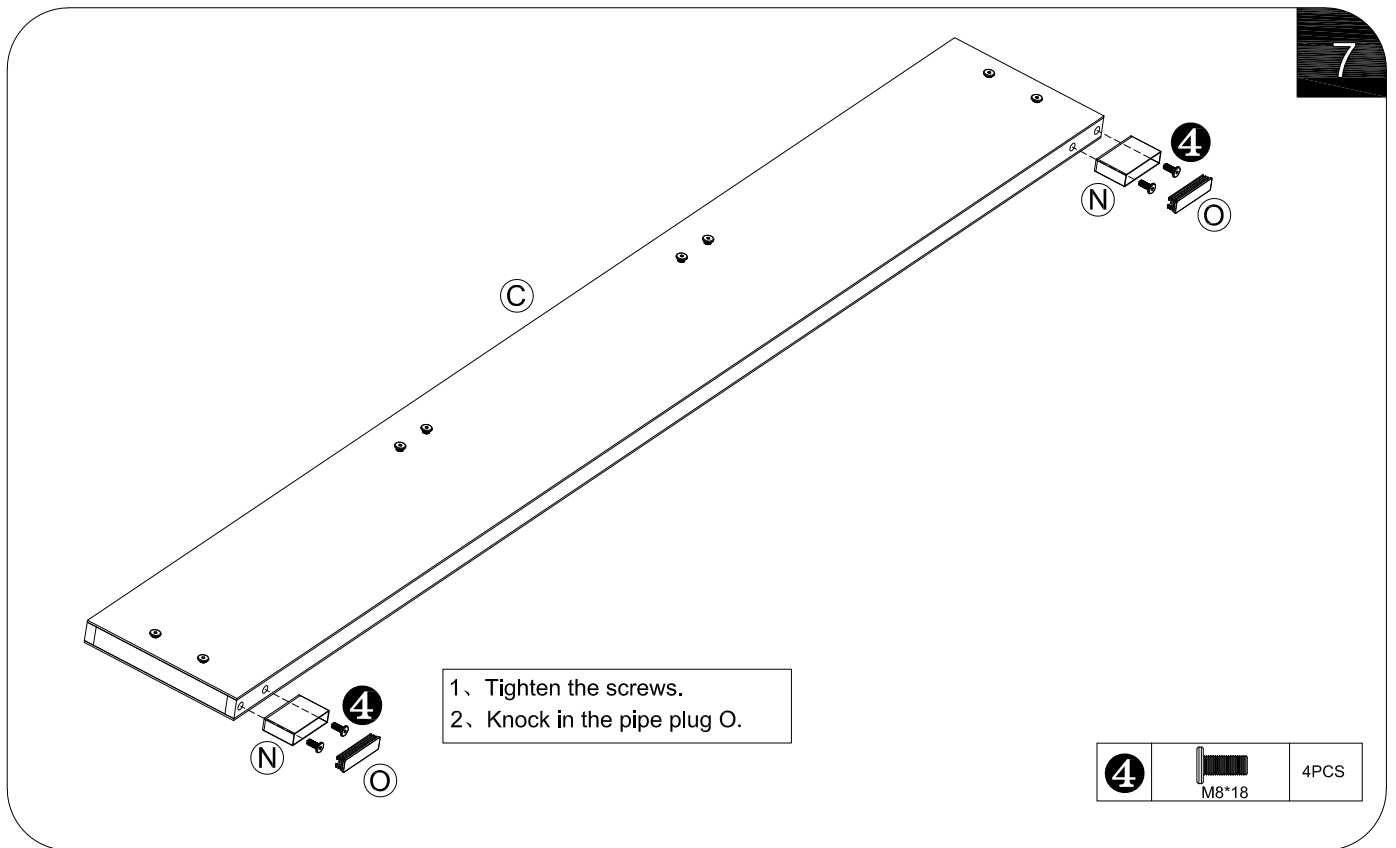
California 92120 Phase 2 and TSCA Title VI Compliant for Formaldehyde
 MADE IN CHINA

WARNING: This product can expose you to chemicals including wood dust, which is known to the State of California to cause cancer. For more information go to www.P65Warnings.ca.gov/furniture.

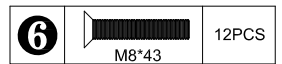
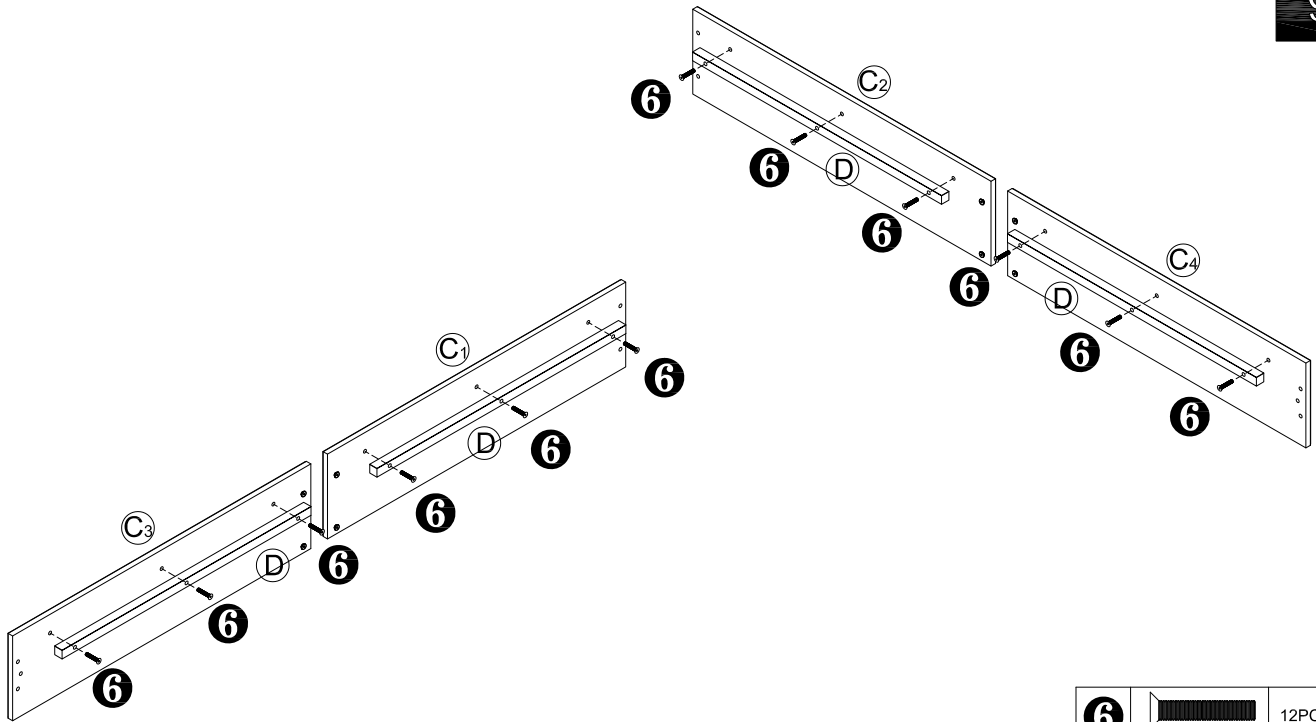


6

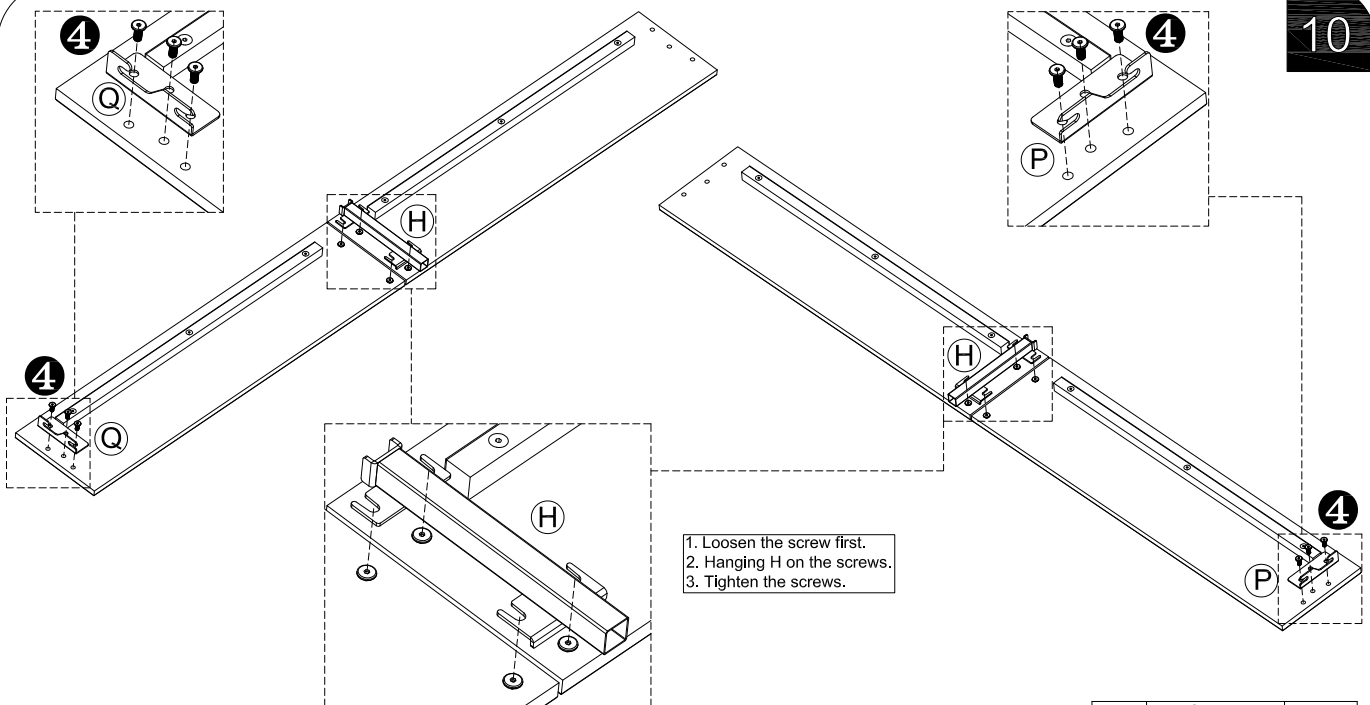




9



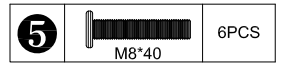
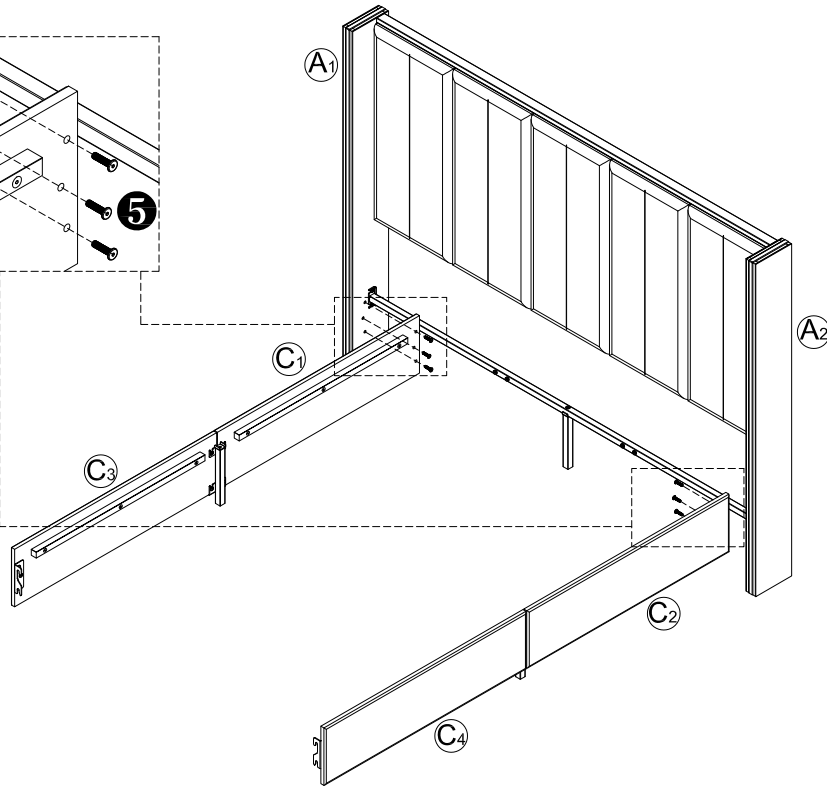
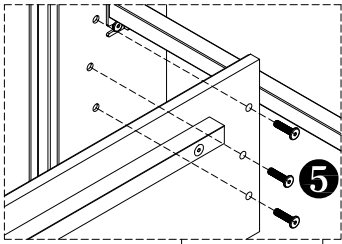
10



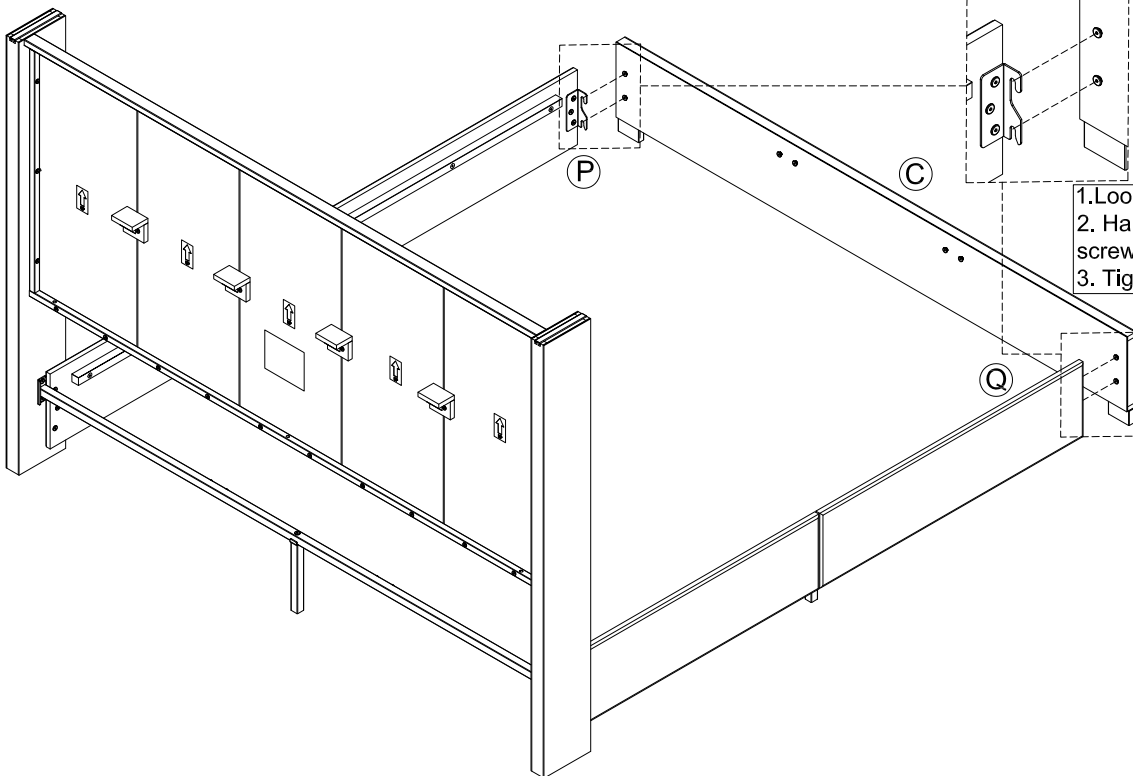
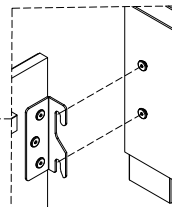
1. Loosen the screw first.
2. Hanging H on the screws.
3. Tighten the screws.



11

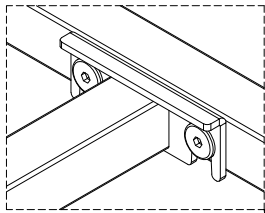


12

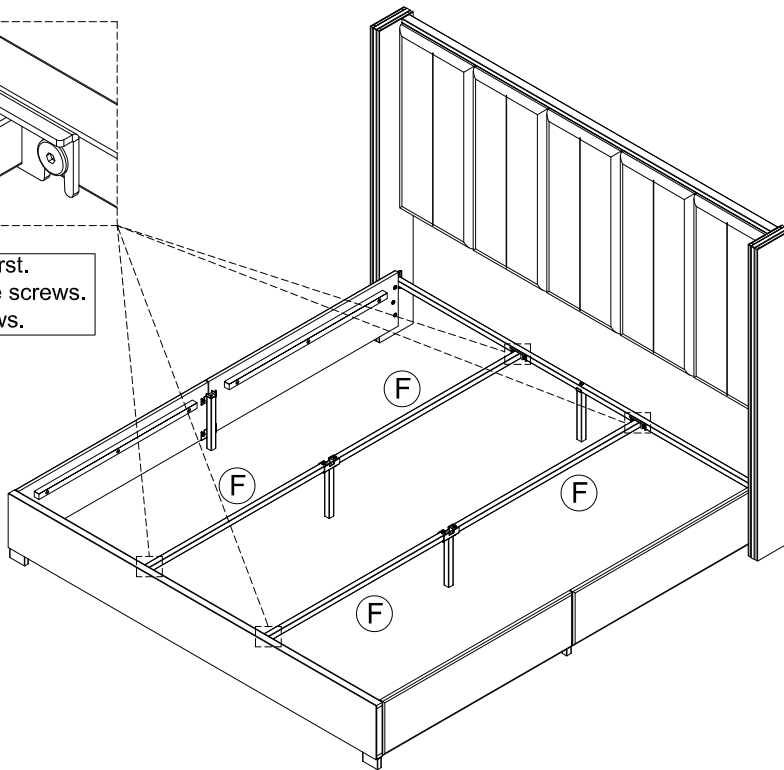


1. Loosen the screw first.
2. Hanging P/Q on the screws.
3. Tighten the screws.

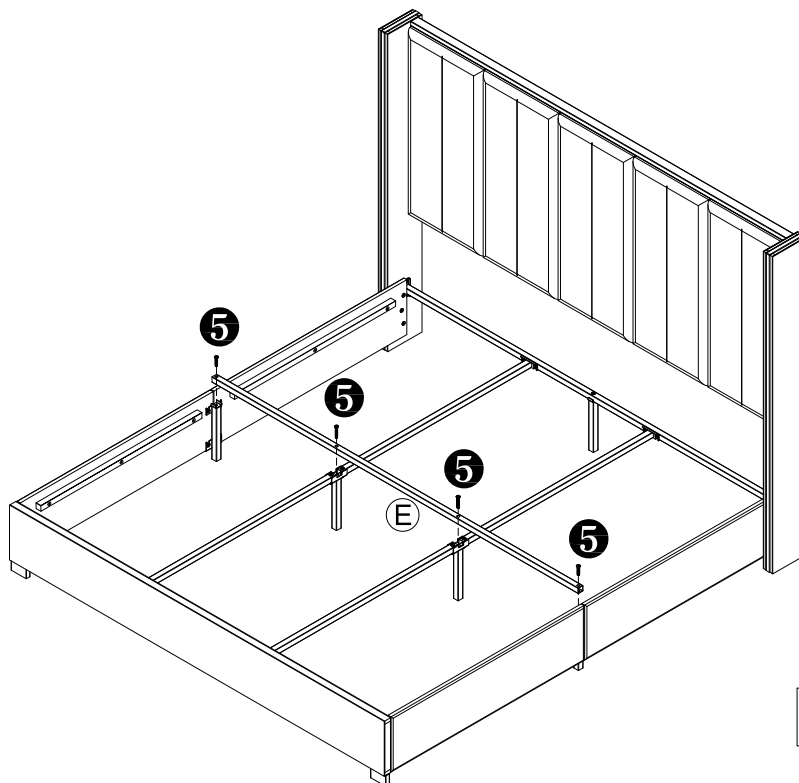
13

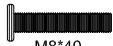


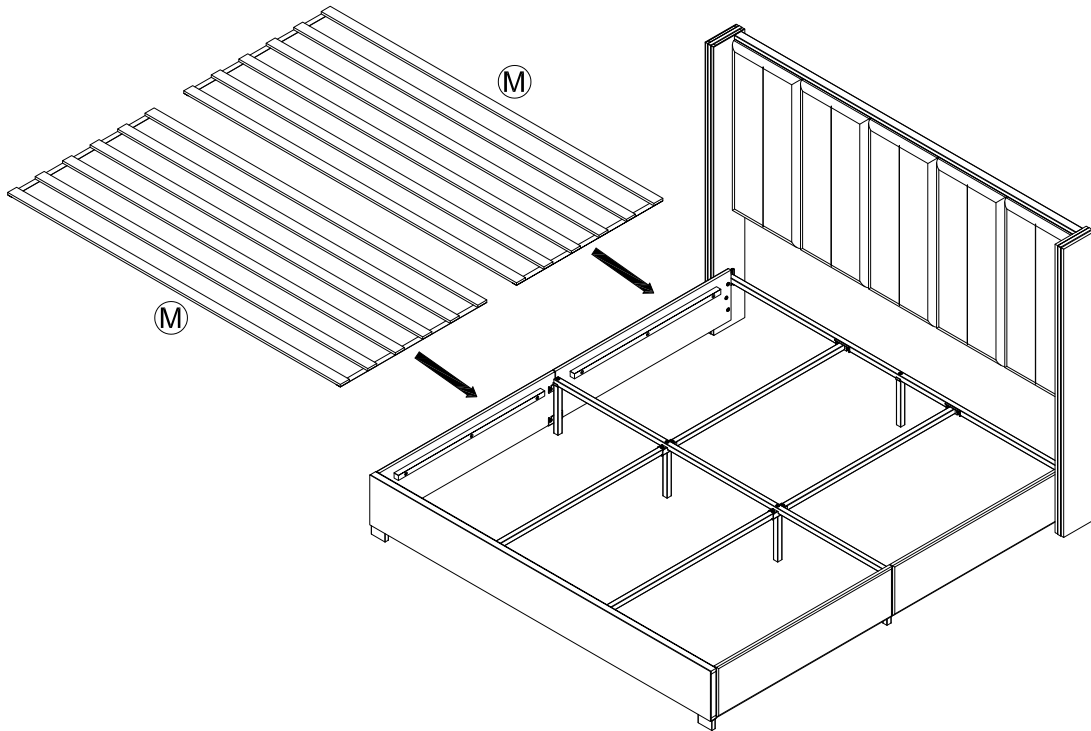
Loosen the screw first.
2. Hanging F on the screws.
3. Tighten the screws.



14



5		M8*40	4PCS
----------	---	-------	------



Finish

