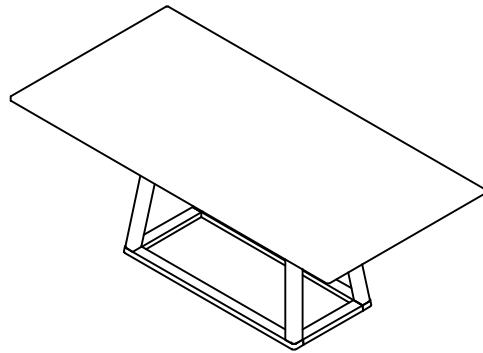
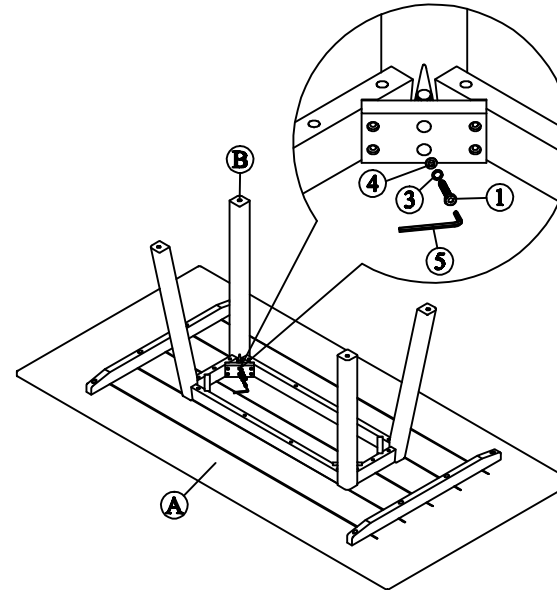


ASSEMBLY INSTRUCTION



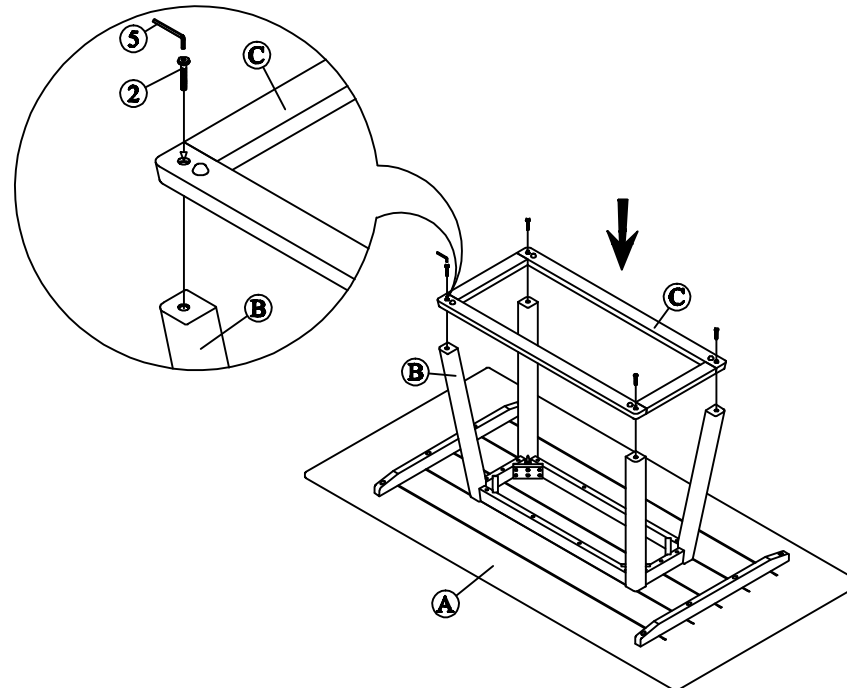
Step. 1



PARTS LIST

<p>A</p> <p>Top 01 pc</p>	<p>B</p> <p>Legs 04 pcs</p>
<p>C</p> <p>Base 01 pc</p>	

Step. 2



HARDWARE LIST

<p>1. Long bolt</p> <p>M8*70 mm 08 pcs</p>	<p>2. Short bolt</p> <p>M8*45 mm 04 pcs</p>
<p>3. Lock washer</p> <p>Ø8.5*13 mm 08 pcs</p>	<p>4. Flat washer</p> <p>Ø8.5*18 mm 08 pcs</p>
<p>5. Allen key</p> <p>M4 01 pc</p>	