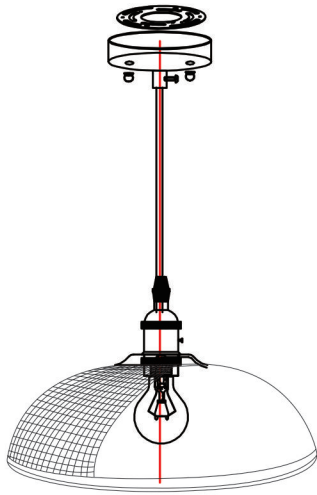
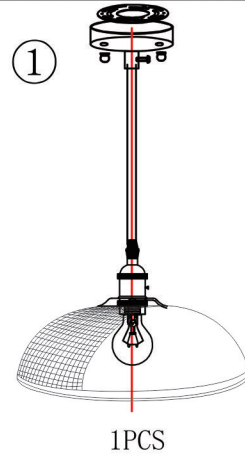


ASSEMBLY INSTRUCTIONS



components & hardware



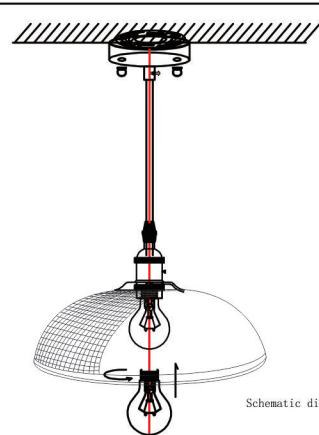
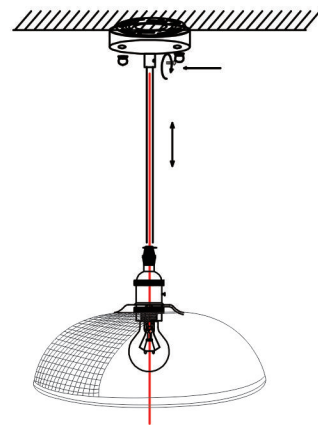
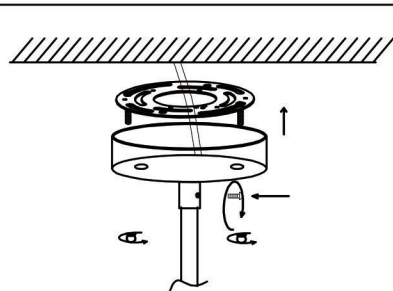
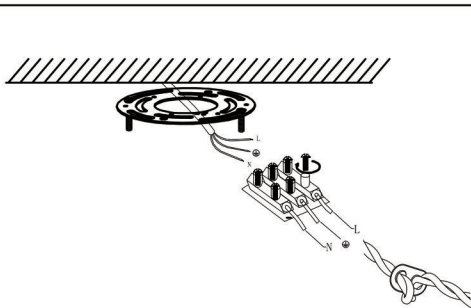
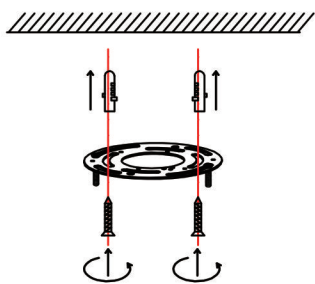
cleaning & care

Dust surfaces with a dry soft cloth.

IMPORTANT SAFETY INSTRUCTIONS:

If you are unsure about your ceiling/wall type or what mounting method you should use, consult a qualified professional or your local hardware store.

We recommend that the installation of this pendant lamp must be a licensed option.



Schematic diagram of bulb door installing

Wattage: E26 A60 60W

Thank you for purchasing this lamp.
 This page lists all the contents included in the box.
 Please confirm the hardware and various components of the product.
 As you unpack and prepare for assembly, place the contents on a carpeted or padded area to protect them from damage.
 Note: 2 people are required to install this safely product asfely.