








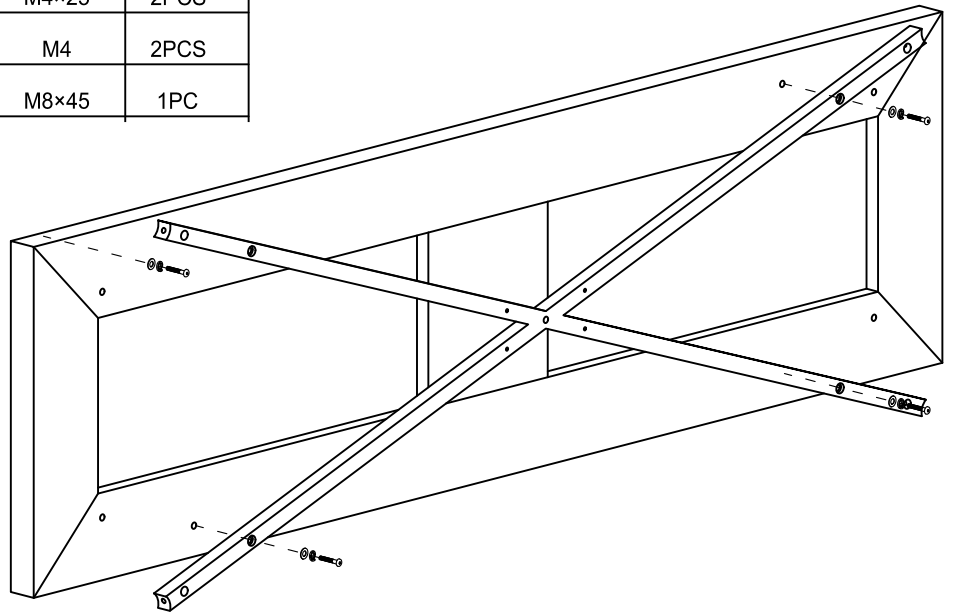


# ASSEMBLY INSTRUCTION

## Console Table

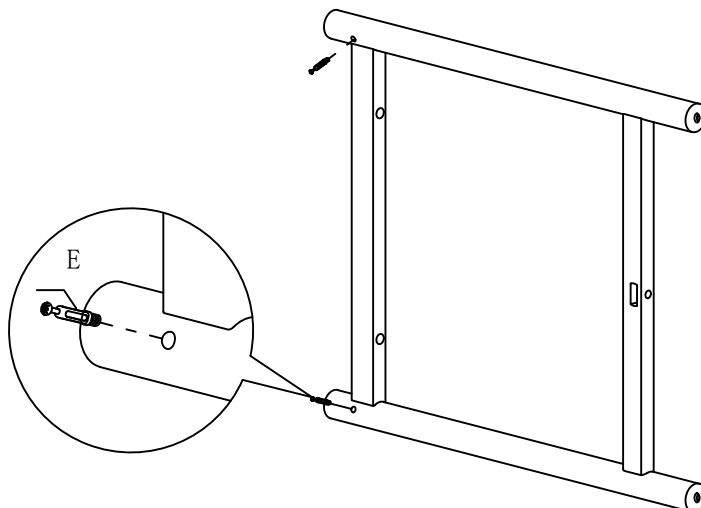
ITEM NO. :

NO.	ITEM	DESCRIPTION	SPEC.	QTY
A		Hexagon bolt	M8×55	4PCS
B		Lock washer	M8	5PCS
C		Washer	8×20	5PCS
D		Allen key	M8	1PC
E		Self tapping screw	6*40	4PCS
F		eccentric gear	15	4PCS
G		Cross screw	M4×25	2PCS
H		Washer	M4	2PCS
I		Hexagon bolt	M8×45	1PC



Disassemble the "X" stretcher from the underside of the Top, assemble and tighten it with legs firstly

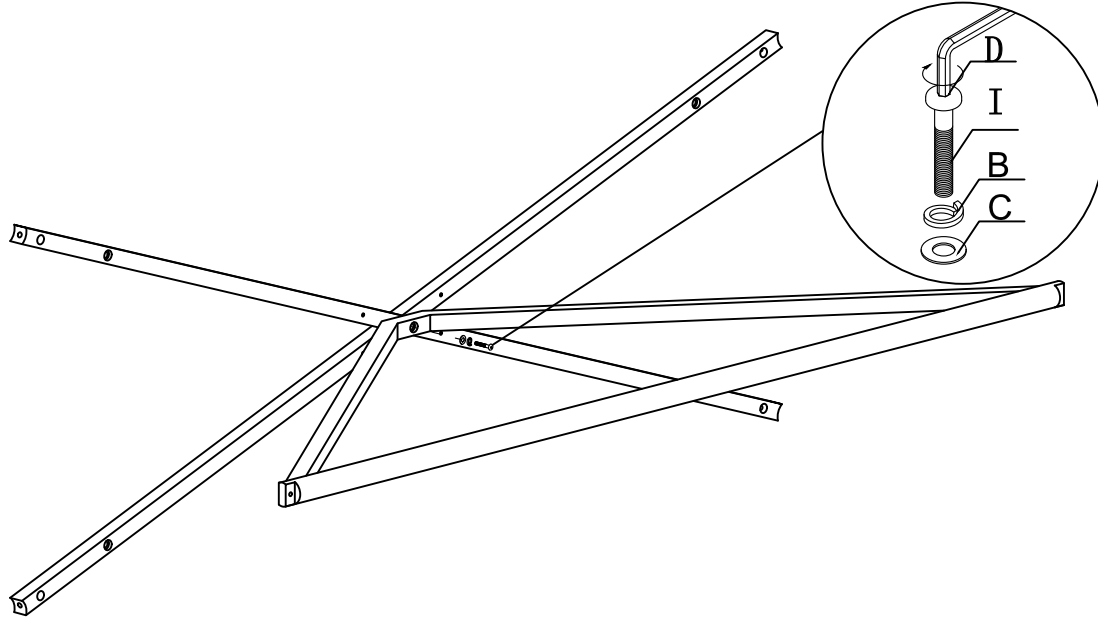
② x2



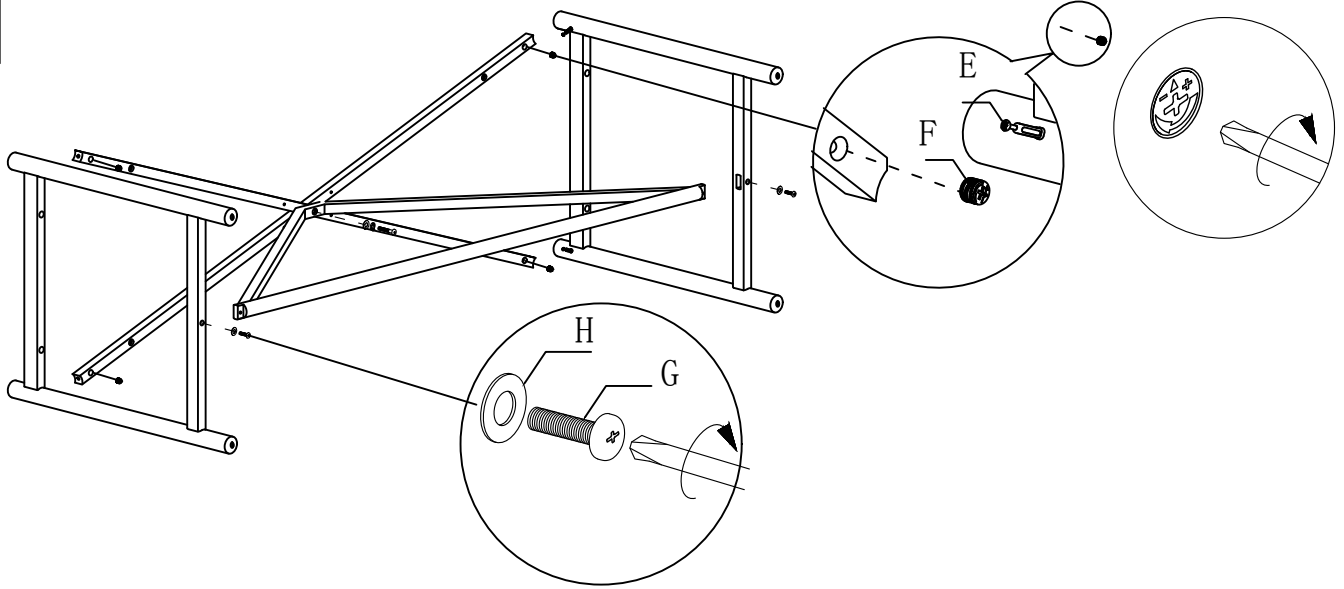
# ASSEMBLY INSTRUCTION

## Console Table

3



4



5

