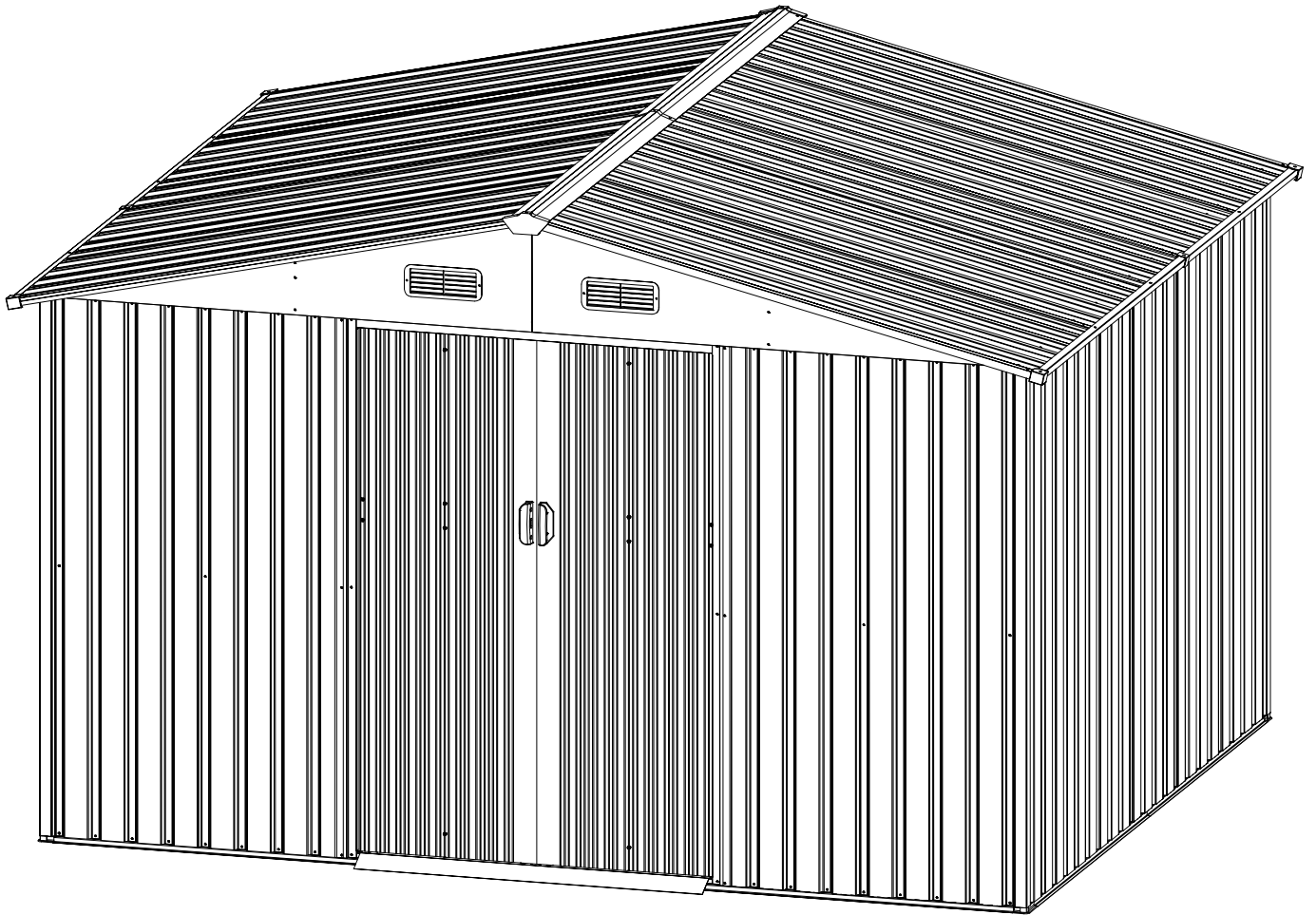


## STORAGE SHED INSTALLATION

---

If you have any questions about the storage shed, please feel free to contact us.

Customer Service Email: [Service@alaulm.com](mailto:Service@alaulm.com)



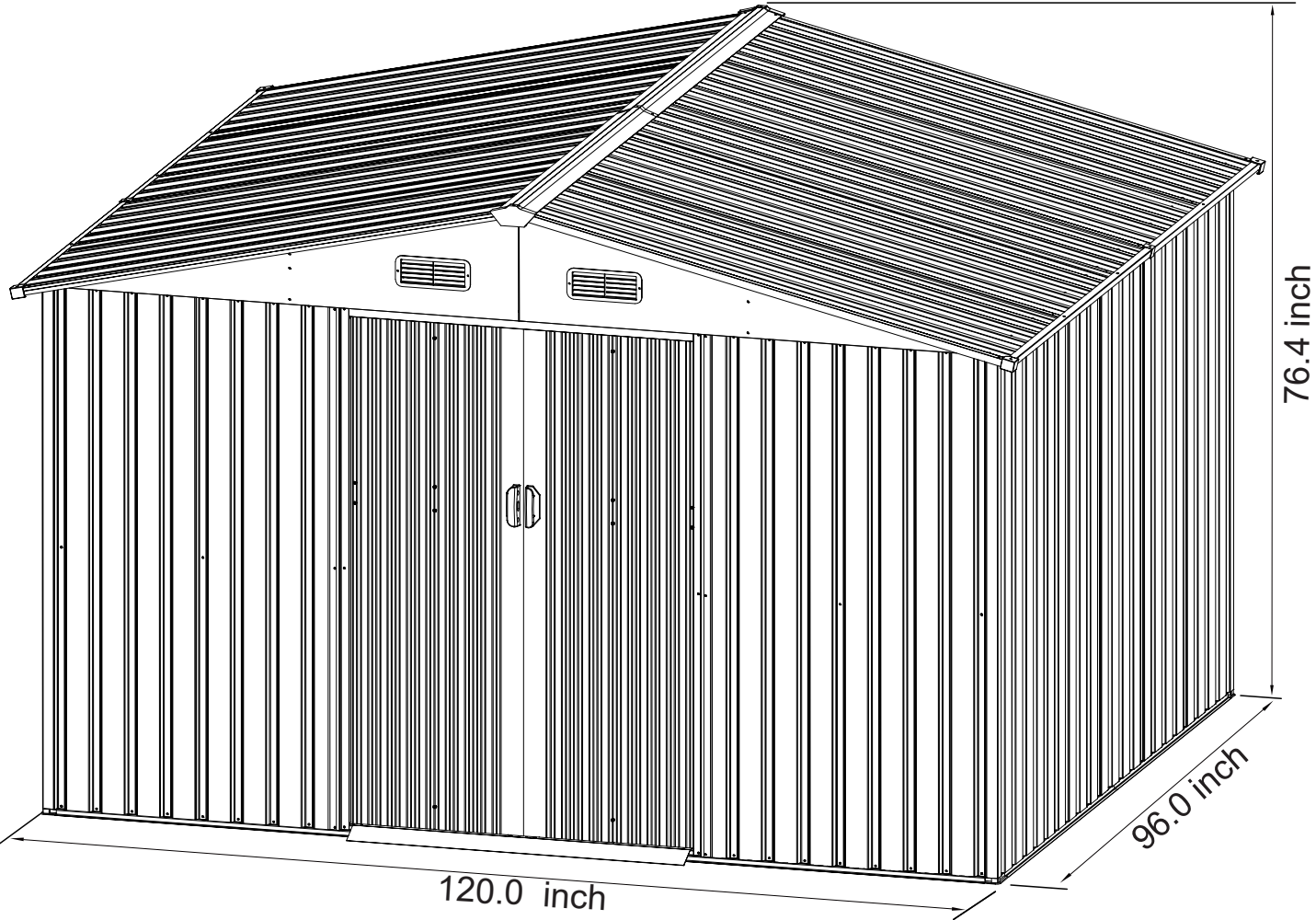
### 01SSR10X8-23-BROWN

**IMPORTANT**

**PLEASE READ BEFORE YOU COMMENCE ASSEMBLY**

Follow the guidelines in this user guide to ensure correct assembly and care for this product.

# SPECIFICATIONS









## Catalog

Specifications.....	01
Note.....	03
Warning .....	03
Installation Notes.....	04
Exploded Views.....	05
Part List .....	06
Extra .....	08
How to Assemble Storage Shed .....	09

# NOTICE



**Note:**Please prepare below tools before installation.

The following tools are not included and needed for assembly:		
		
Pistol Drill	Tape Measure	Ladder
Package included Tools		
		
Screw Driver	Gloves x2 pair	Screwdriver x1

## Warning

We recommend two adults to complete the installation. Two adults installed together will make the installation process easier and safer.

The gloves must be carried to prevent hand cuts during installation.

Take care when using power tools near water the use of a residual current device (RCD) is advised.

Please use the electric driver carefully during screwing to prevent the screw from slipping and hurting your hand.(We recommend that beginners use a manual screwdriver for installation.)

Be careful not to fall when installing the roof. Please steady the ladder and make sure the product placed on a flat ground.

**PLEASE KEEP THIS INSTRUCTION FOR FUTURE REFERENCE.**

## **Installation Notes**

Please check the quantity of all parts before installation (Please refer to the Parts Lists) and the appearance of the products. Please make sure the product is correct before installation. If there is any problem, please contact us directly.

Make sure the colored panels are facing outwards and all the holes match. The panels are textured, please install the panels in the order specified in the instructions. All lines and holes must be accurately matched to make the storage shed more stable. Please ensure that all screws are tightened to prevent the product from falling apart.

There is a protective film on the surface to protect the product, please tear it off after installation to get the final presentation. If you do not damage the film during installation, it can also remain on the product to protect the product.

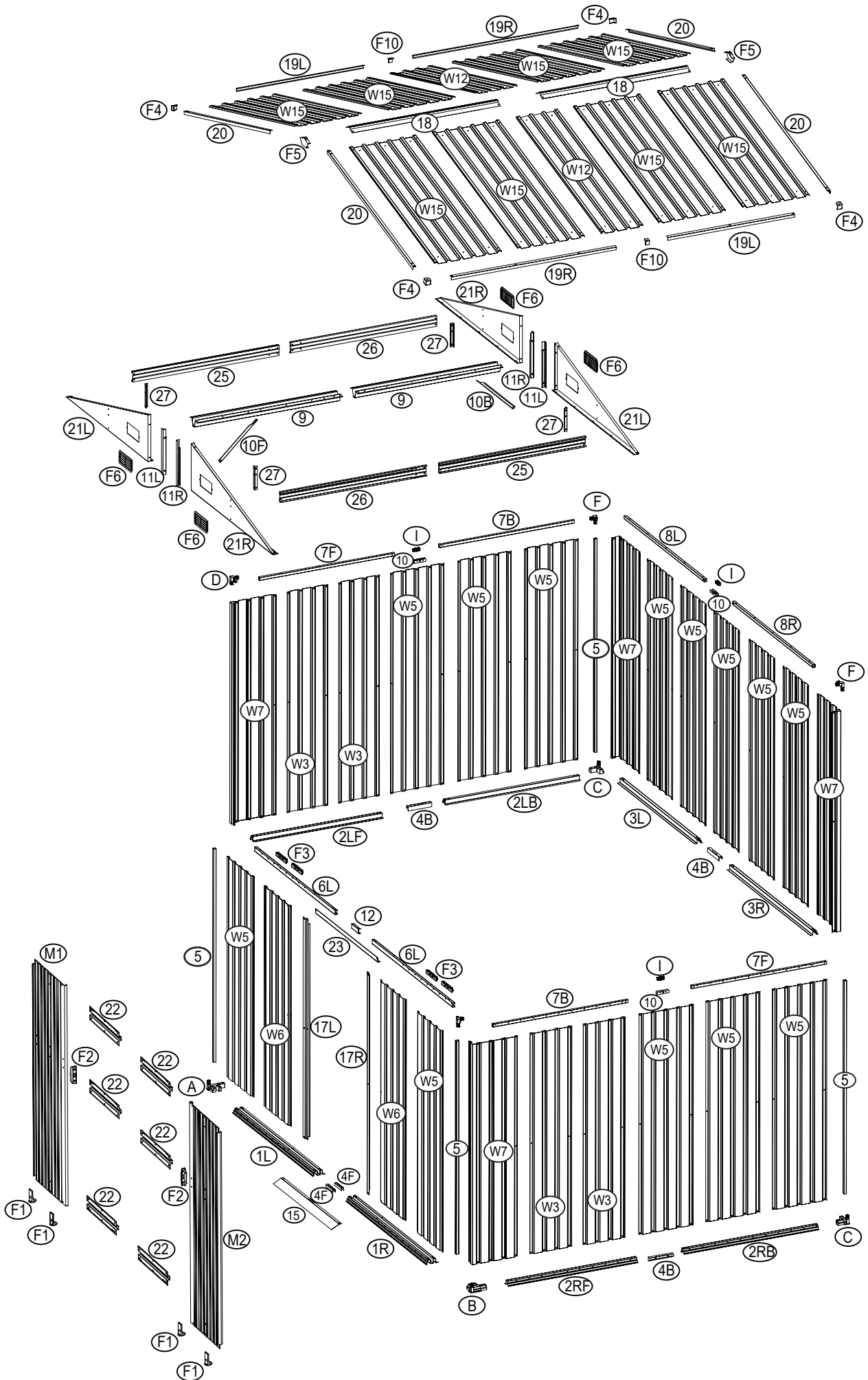
Please place the product on a flat ground to prevent leaning and collapse. If the ground is uneven, the door may can't be closed.

### **Attention:**









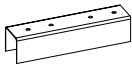
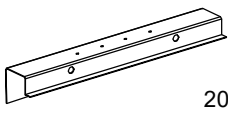

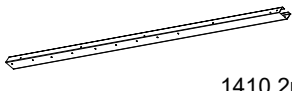

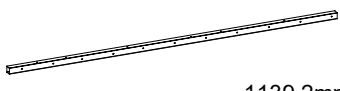
Please read this instruction carefully before installation and follow it strictly during installation.

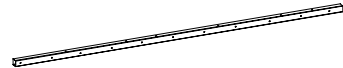
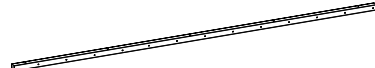
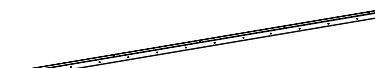
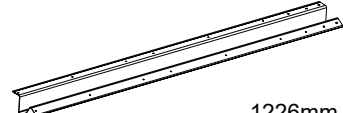
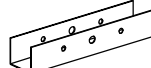

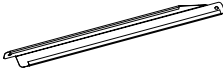
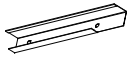
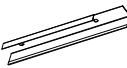
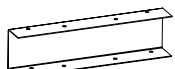
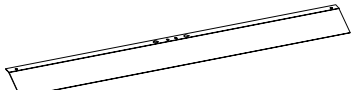

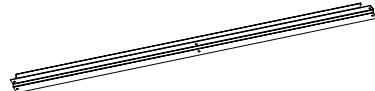
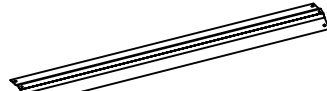
Ensure that there are no problems later due to installation errors.

# EXPLODED VIEWS



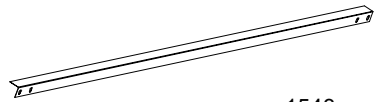


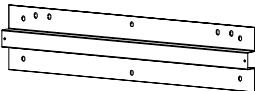
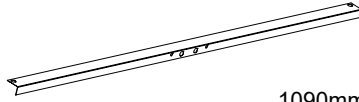



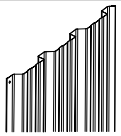





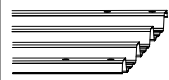
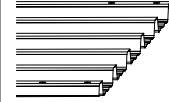
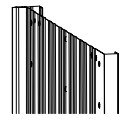
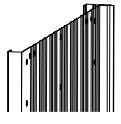
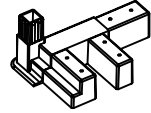
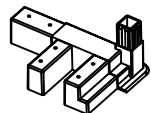
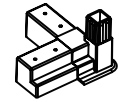
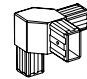
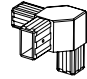
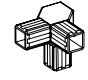
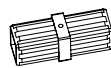
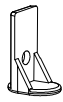
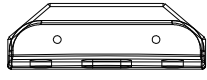
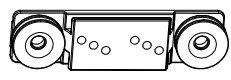
# PART LIST

NO.	PART.	Qty.
1L	 1403.6mm	1
1R	 1403.6mm	1
2LF	 1093.3mm	1
2LB	 1136.1mm	1
2RF	 1093.3mm	1
2RB	 1136.1mm	1
3L	 1350.1mm	1
3R	 1457.1mm	1
4F	 120mm	2
4B	 200mm	3
5	 1510mm	4
6L	 1410.2mm	1
6R	 1410.2mm	1
7F	 1139.2mm	2


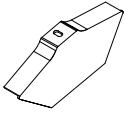
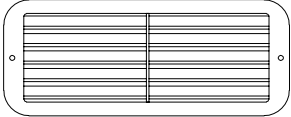

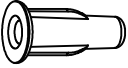

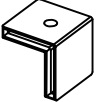
NO.	PART.	Qty.
7B	 1139.2mm	2
8L	 1406.7mm	1
8R	 1406.7mm	1
9	 1226mm	2
10	 100mm	3
10F	 405mm	1
10B	 405mm	1
11L	 320mm	2
11R	 320mm	2
12	 120mm	1
15	 1020mm	1
17L	 1560mm	1
17R	 1560mm	1
18	 1250.5mm	2

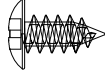
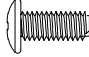

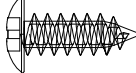

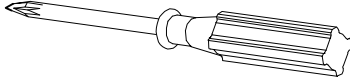
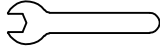
# PART LIST

NO.	PART.	Qty.
19L	 1072mm	2
19R	 1393mm	2
20	 1543mm	4
21L		2
21R		2
22	 532mm	6
23	 1090mm	1
25	 1236mm	2
26	 1236mm	2
27	 165mm	4
W3	 1560mm	4
W5	 1560mm	13
W6	 1560mm	2
W7	 1560mm	4


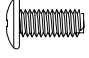


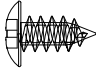
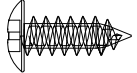
NO.	PART.	Qty.
W12	 1535mm	2
W15	 1535mm	8
M1	 1560mm	1
M2	 1560mm	1
A		1
B		1
C		2
D		1
E		1
F		2
I		3
F1		4
F2		2
F3		4

# PART LIST

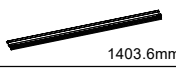
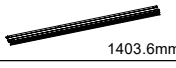


NO.	PART.	Qty.
F4		4
F5		2
F6		4
F7		364
F8		52
F9		2
F10		2

NO.	PART.	Qty.
S4		380
S6		106
S7		106
S8		12
S9		4
S12		2
S15		2

## Extra

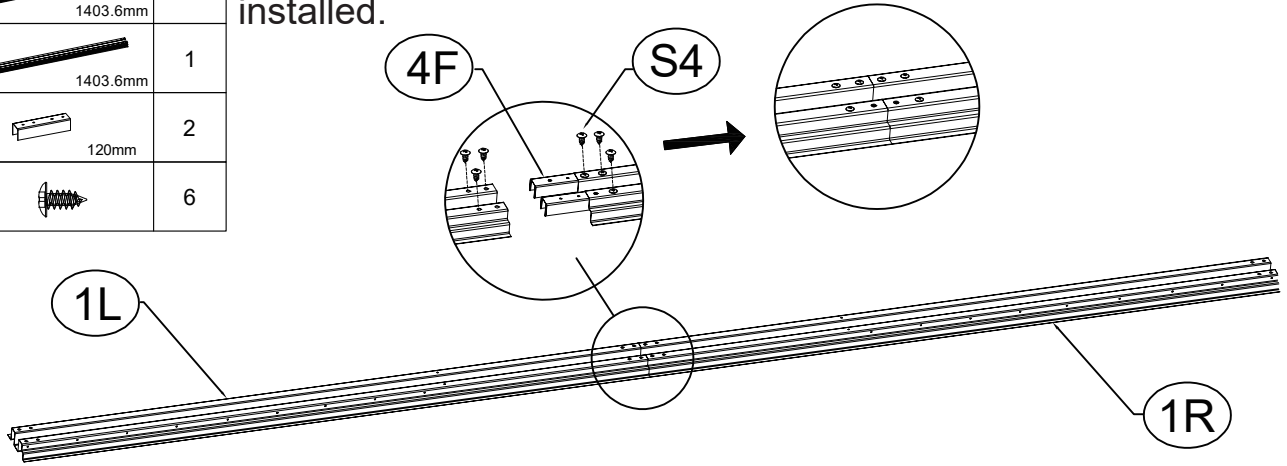
NO.	PART.	Qty.	NO.	PART.	Qty.
F7		15	S6		10
F8		5	S7		10
S4		15	S8		2

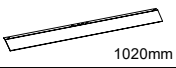

# Installation steps

Step 1		
NO.	PART.	Qty.
1L	 1403.6mm	1
1R	 1403.6mm	1
4F	 120mm	2
S4		6

**Step 1:** Connect 1L and 1R with screws(S4).

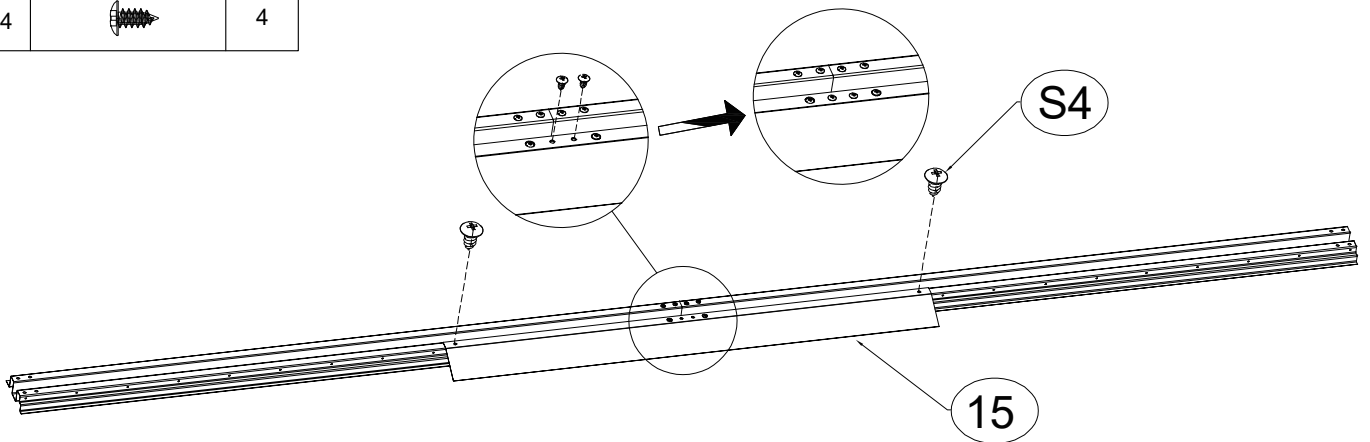
**NOTE:** There are two screws on the inside that don't need to be installed.

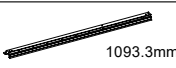
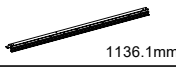




Step 2		
NO.	PART.	Qty.
15	 1020mm	1
S4		4

**Step 2:** Attach the 15 to the bottom frame(1L and 1R) with screws (S4).

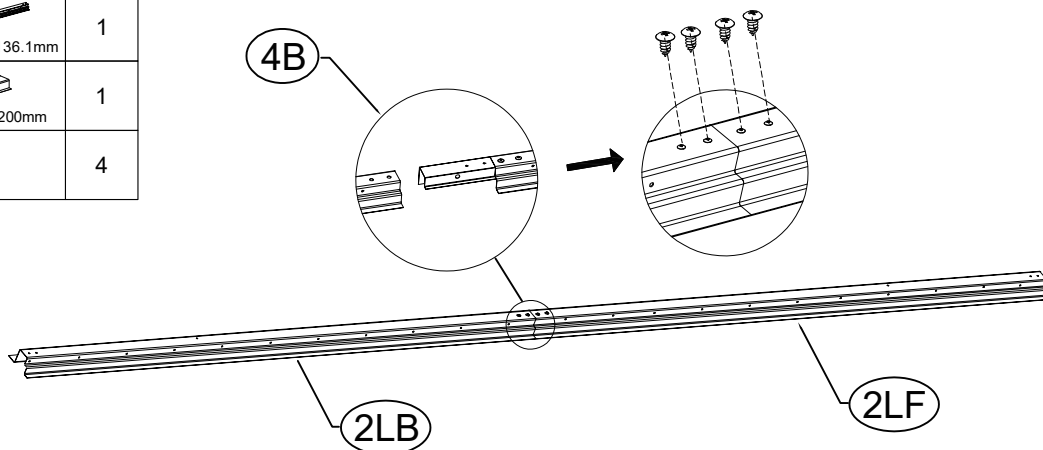
**NOTE:** The two screws on 1L and 1R do not need to be removed.



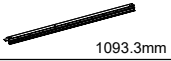
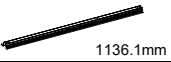
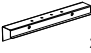

Step 3		
NO.	PART.	Qty.
2LF	 1093.3mm	1
2LB	 1136.1mm	1
4B	 200mm	1
S4		4

**Step 3:** Place the 4B in the grooves of the 2LF and 2LB, with the holes aligned and screwed in place.

**NOTE:** Screw the 4B to a part first.

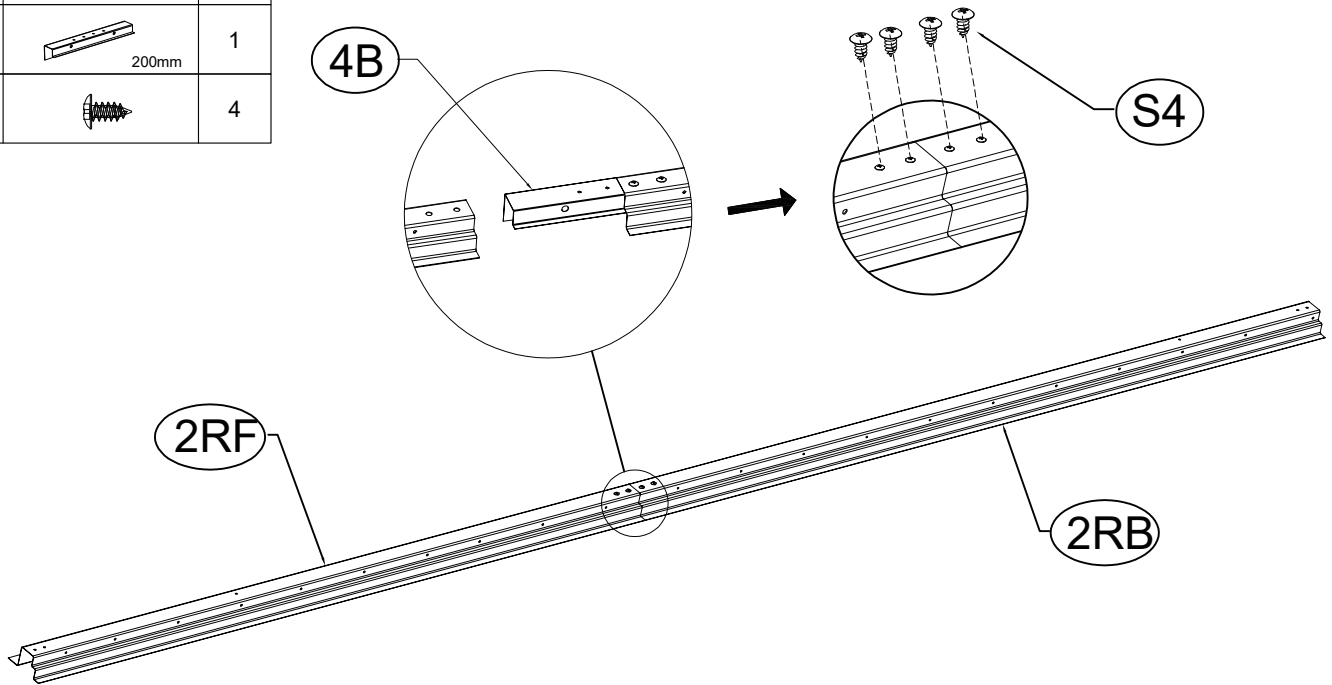


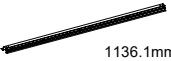
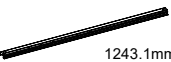
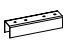

# Installation steps

Step 4		
NO.	PART.	Qty.
2RF	 1093.3mm	1
2RB	 1136.1mm	1
4B	 200mm	1
S4		4

**Step 4:** Place the 4B in the grooves of the 2RF and 2RB, with the holes aligned and screwed in place.

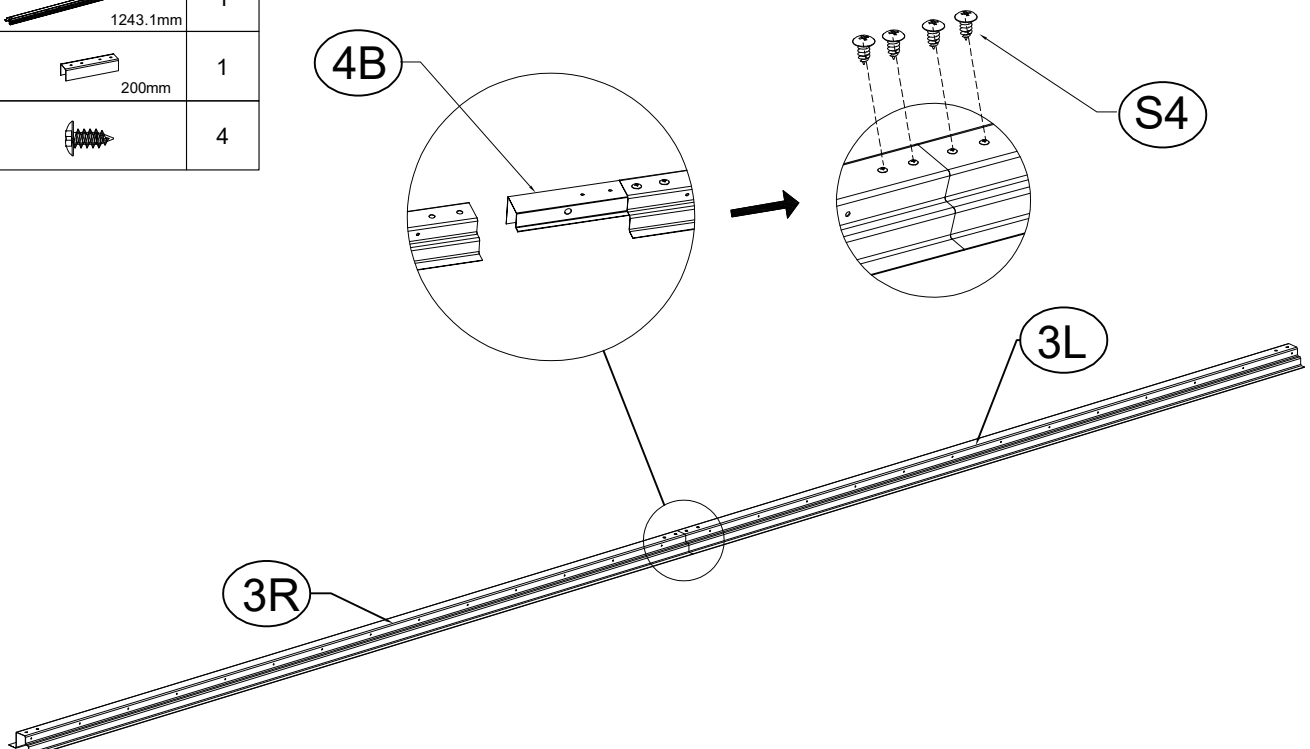
**NOTE:** Screw the 4B to a part first.



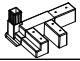
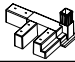
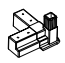

Step 5		
NO.	PART.	Qty.
3L	 1136.1mm	1
3R	 1243.1mm	1
4B	 200mm	1
S4		4

**Step 5:** Place the 4B in the grooves of the 3L and 3R, with the holes aligned and screwed in place.

**NOTE:** Screw the 4B to a part first.

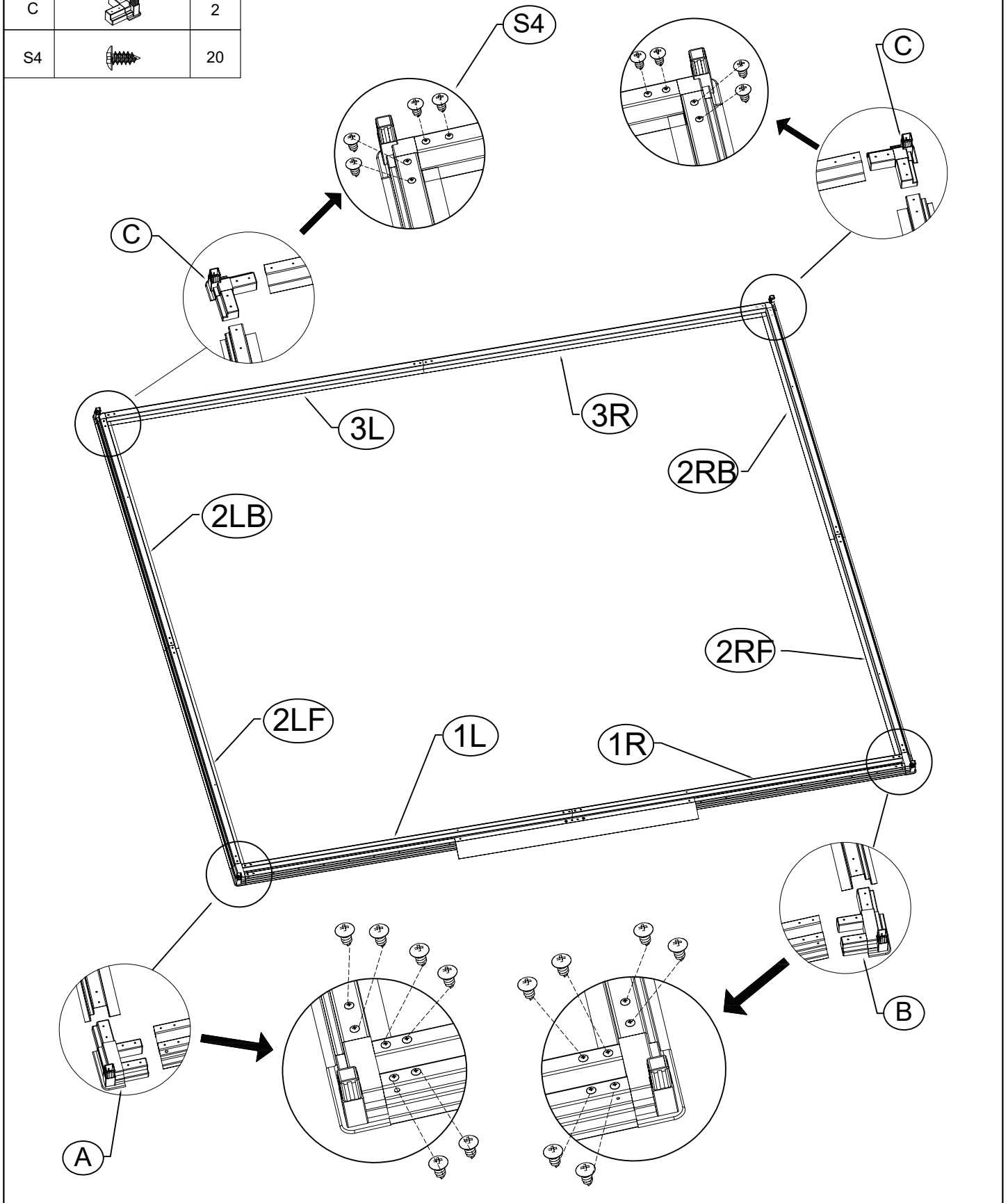


# Installation steps


Step 6		
NO.	PART.	Qty.
A		1
B		1
C		2
S4		20

**Step 6:** Screw the bottom frame rod to the plastic connector (A, B and C).

**NOTE:** Note the orientation of the bottom frame tube, with the stepped portion facing outward.

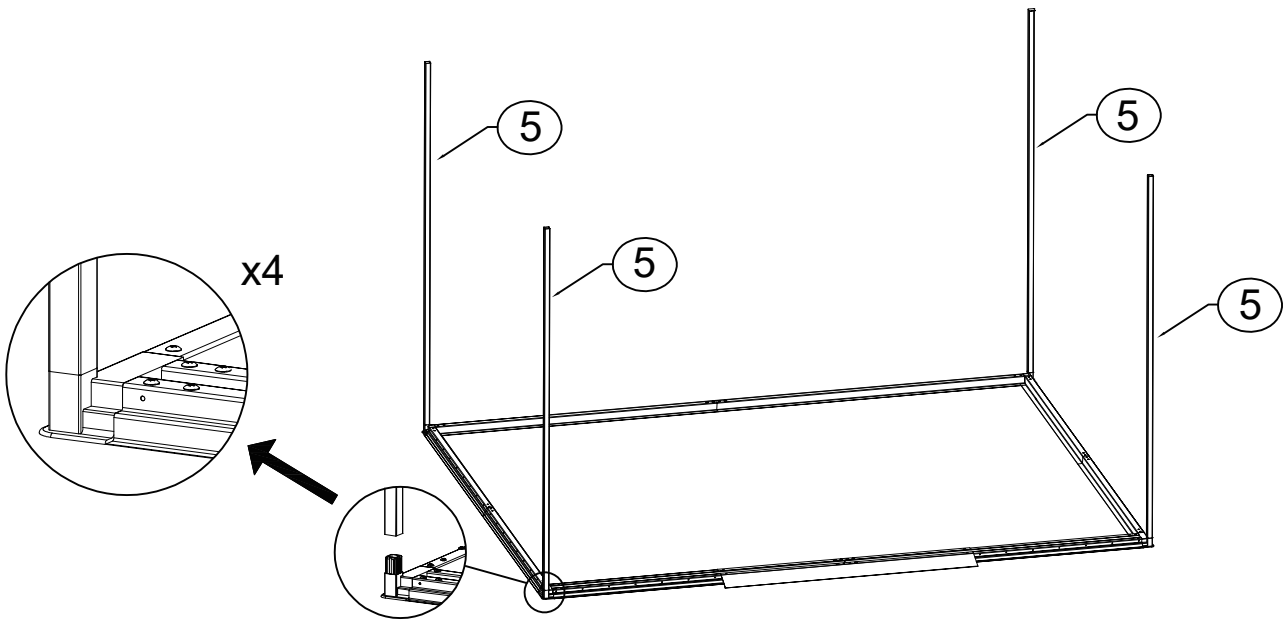


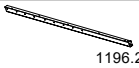
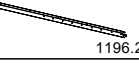

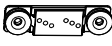

# Installation steps

Step 7		
NO.	PART.	Qty.
5	 1510mm	4

**Step 7:** Inserting the riser (5) into the plastic connector (A, B and C).

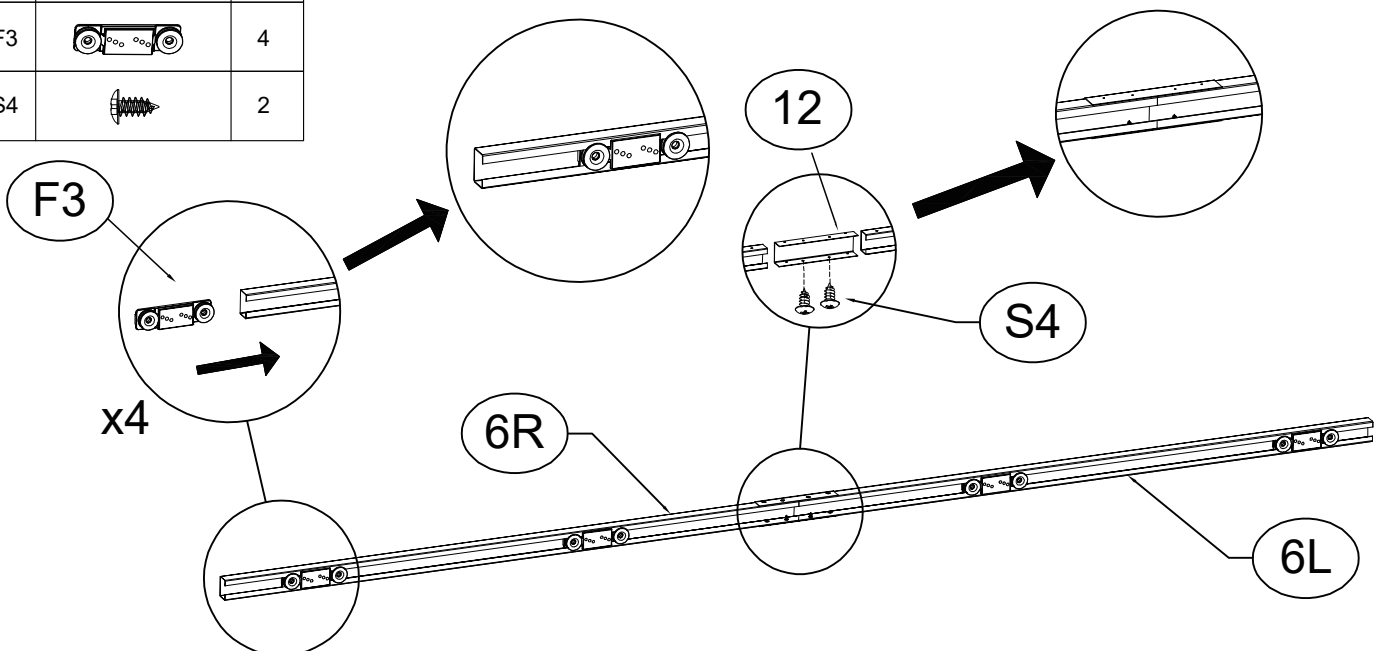
**NOTE:** The riser is not stable and needs to be held by a person or other object.



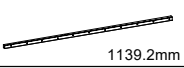

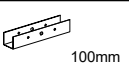


Step 8		
NO.	PART.	Qty.
6L	 1196.2mm	1
6R	 1196.2mm	1
12	 120mm	1
F3		4
S4		2

**Step 8:** Snap the metal connector (12) onto the upper jamb bar (metal connector on surface) and secure with screws (S4), then slide the pulley piece (F3) into the upper jamb bar track.

**Note:** Please observe the illustration carefully and pay attention to the front and back direction of the pulley piece, sliding it into the track from both sides respectively.

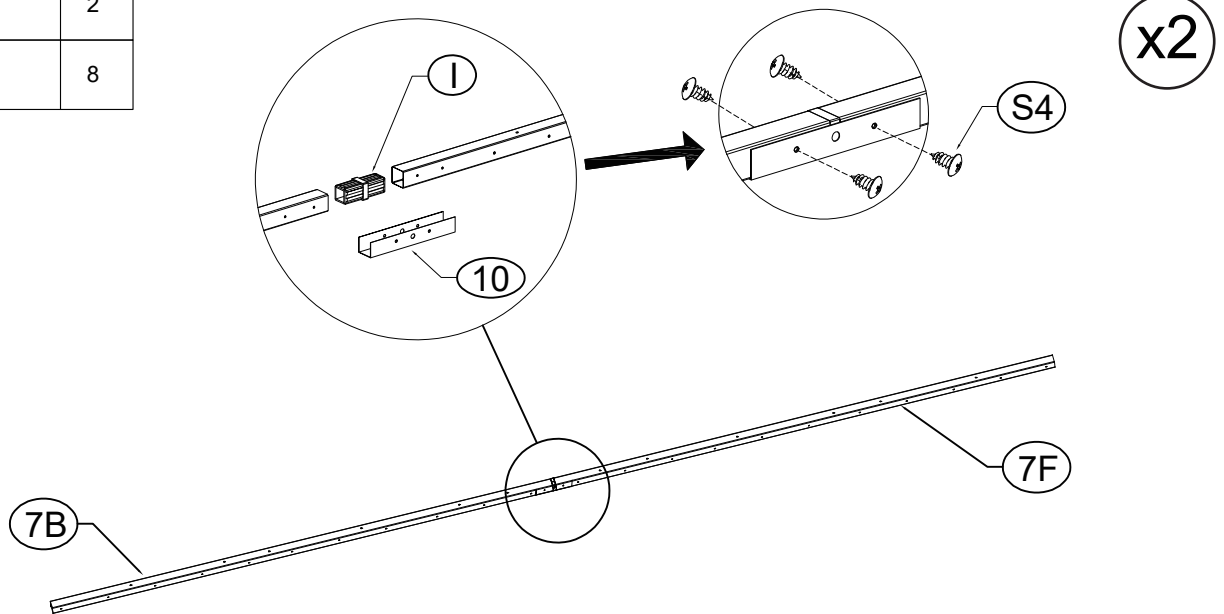


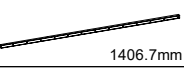
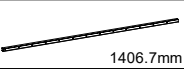
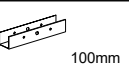


# Installation steps

Step 9		
NO.	PART.	Qty.
7F	 1139.2mm	2
7B	 1139.2mm	2
10	 100mm	2
I		2
S4		8

**Step 9:** Insert the plastic connector (I) into the middle connection of 7F and 7B, then snap the connector (10) onto the two cross bars and secure with screws (S4) .

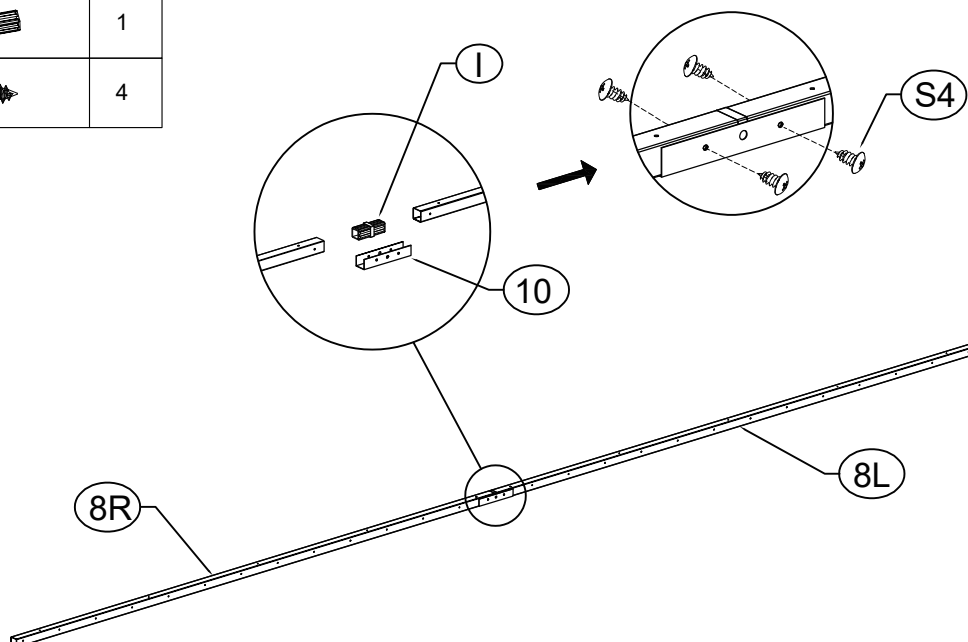
**Note:** Note the orientation of the crossbar, with the closer end of the two screw holes being the center position. The side of the crossbar with more screw holes is the location of the set screws.







Step 10		
NO.	PART.	Qty.
8L	 1406.7mm	1
8R	 1406.7mm	1
10	 100mm	1
I		1
S4		4

**Step 10:** Insert the plastic connector (I) into the middle connection of 8L and 8R, then snap the connector (10) onto the two cross bars and secure with screws (S4) .

**Note:** Note the orientation of the crossbar, with the closer end of the two screw holes being the center position. The side of the crossbar with more screw holes is the location of the set screws.

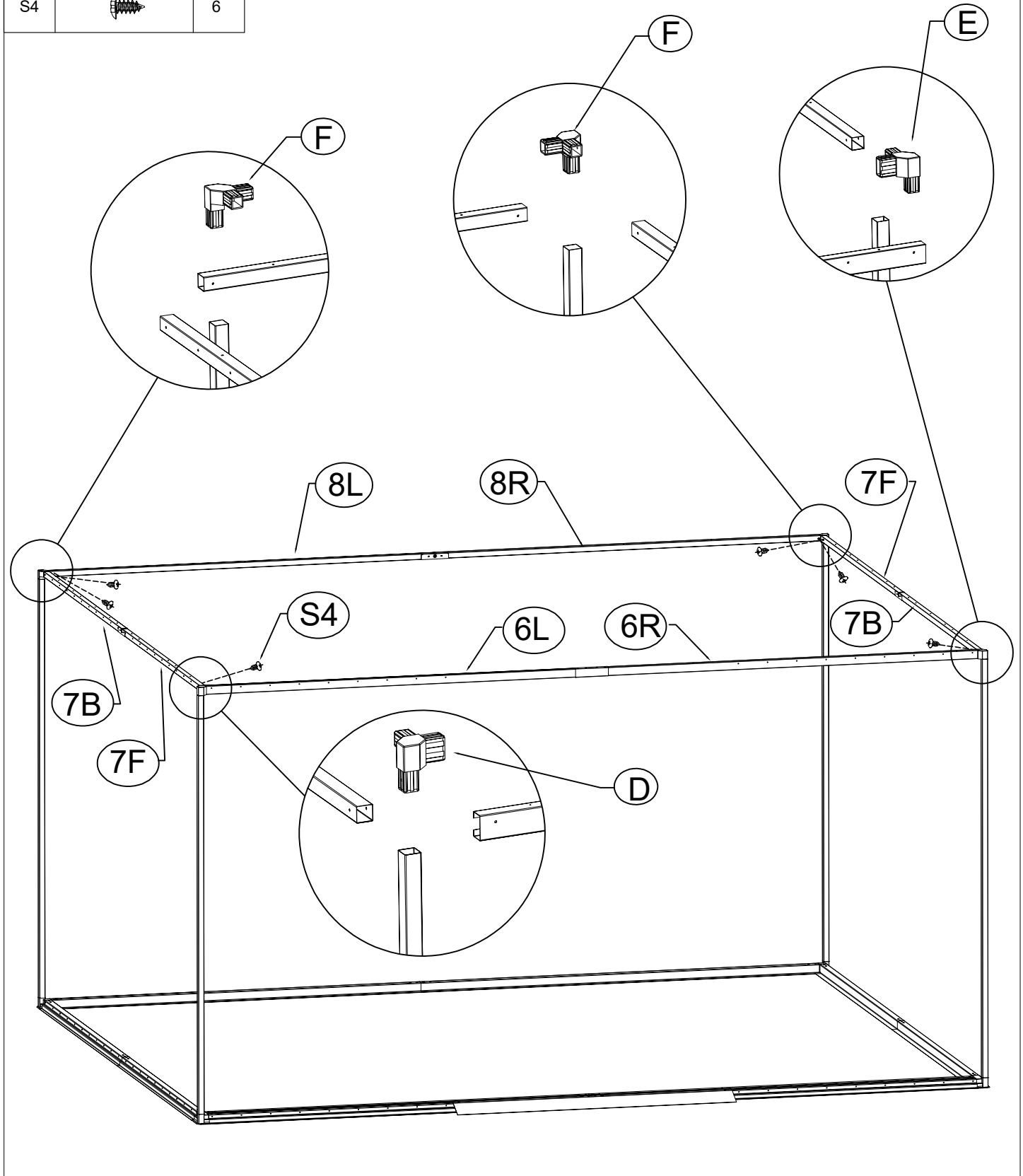


# Installation steps

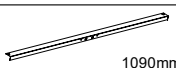
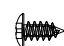
Step 11		
NO.	PART.	Qty.
D		1
E		1
F		2
S4		6

**Step 11:** Connect the upper frame bar and the riser bar with plastic connectors (D, E and F) and secure with screws.

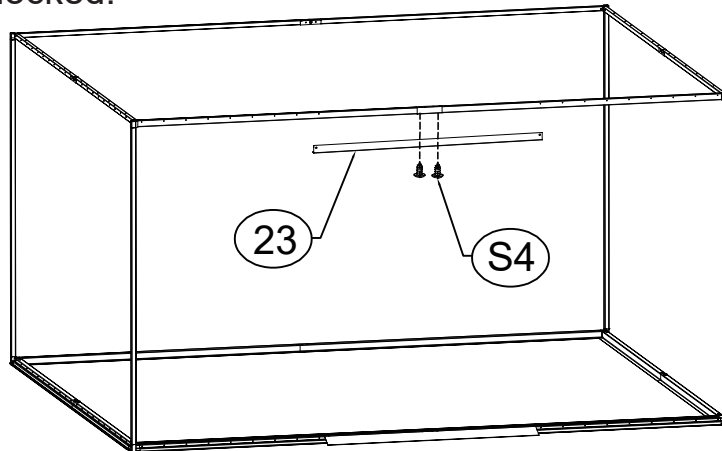
**Note:** Note the direction of the mounting rods, the 6L and 6R cross rods are jamb rods, the side with more screw holes is the direction of the mounting stopper, towards the outside. This step requires four people to hold the four uprights.

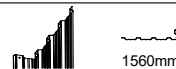




# Installation steps

Step 12		
NO.	PART.	Qty.
23	 1090mm	1
S4		2

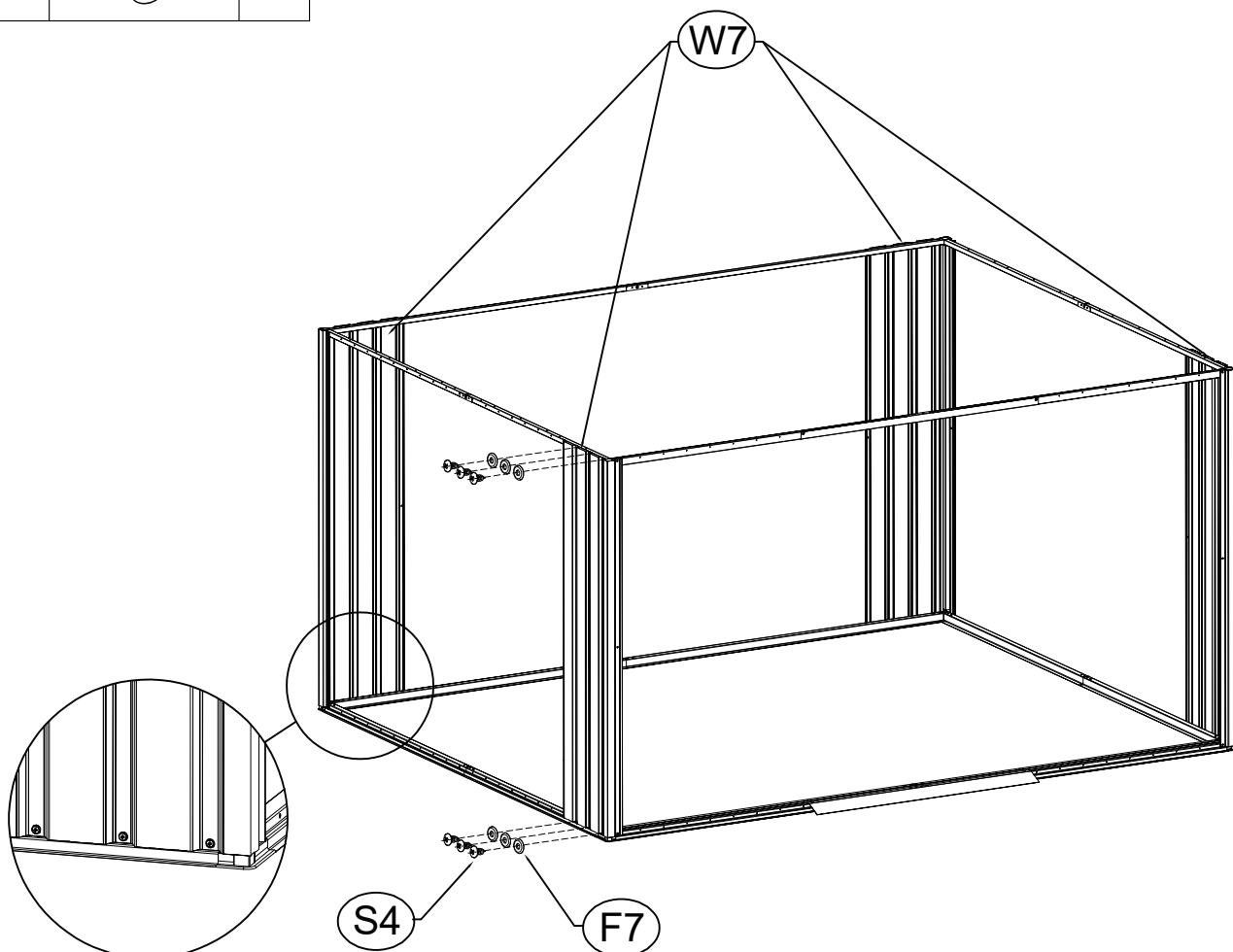
**Step 12:** Place the "L" shaped part 23 under the upper door frame bars 6L and 6R and secure with screws from below.  
**Note:** Leave the two screw holes at the ends of part 23 unlocked.








Step 13		
NO.	PART.	Qty.
W7	 1560mm	4
S4		24
F7		24

**Step 13:** Attach the "L" shaped partitions (W7) to the upper and lower frame bars in a clockwise direction and secure them with screws (S4 and F7).

**Note:** Place the spacer into the screws first, then the spacer and bezel bar holes are aligned for installation.



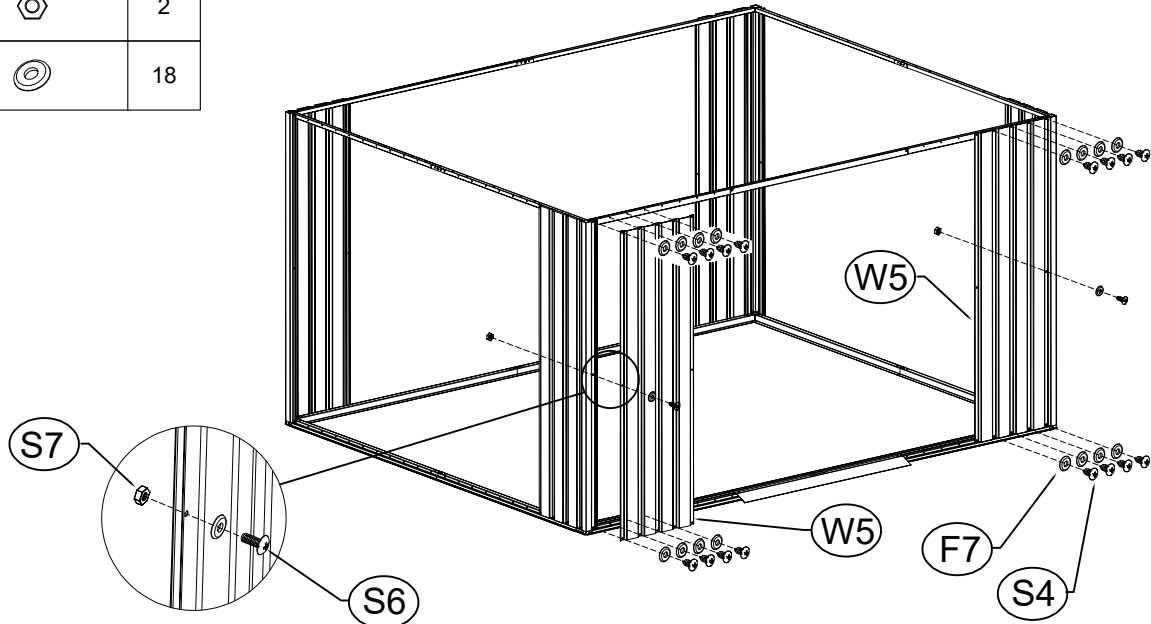
# Installation steps


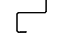
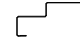

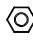

Step 14		
NO.	PART.	Qty.
W5	 1560mm	2
S4		16
S6		2
S7		2
F7		18

**Step 14:** Connect the two pieces (W5) near the door to the upper and lower bezel rods and lock with the screws (S4).

Align the holes in the center of the spacer and finish installing the screws (S6) and nuts (S7).

**Note:** Place the spacer into the screws first, then the spacer and bezel bar holes are aligned for installation.

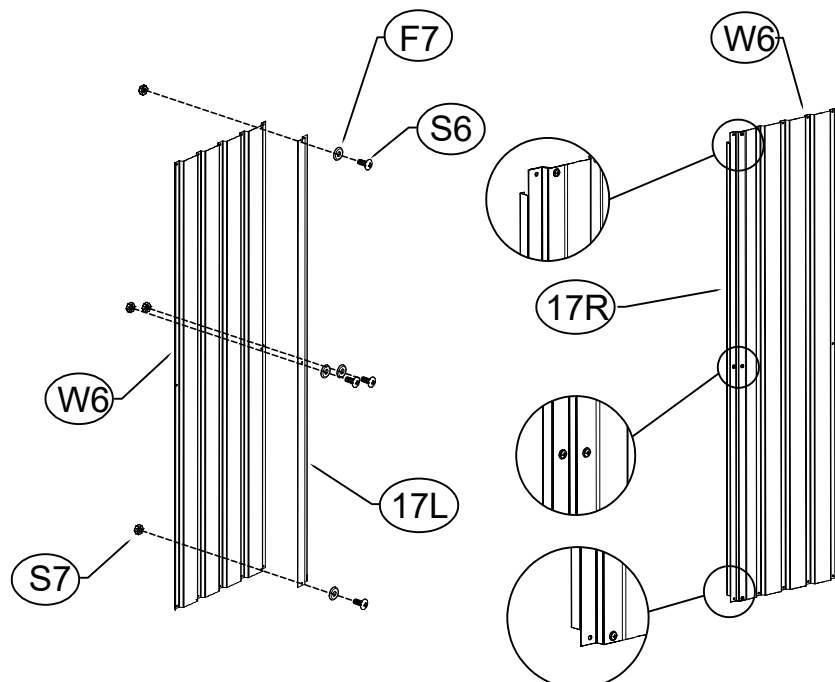


Step 15		
NO.	PART.	Qty.
W6	 1560mm	2
17L	 1560mm	1
17R	 1560mm	1
S6		8
S7		8
F7		8





**Step 15:** Install two W6 pieces on the sides of 17L and 17R respectively and secure them with screws (S6) and nuts (S7).

**Note:** Place the spacer into the screw first, then the holes are aligned for installation.

**Screws mounted in screw holes on raised surfaces.**

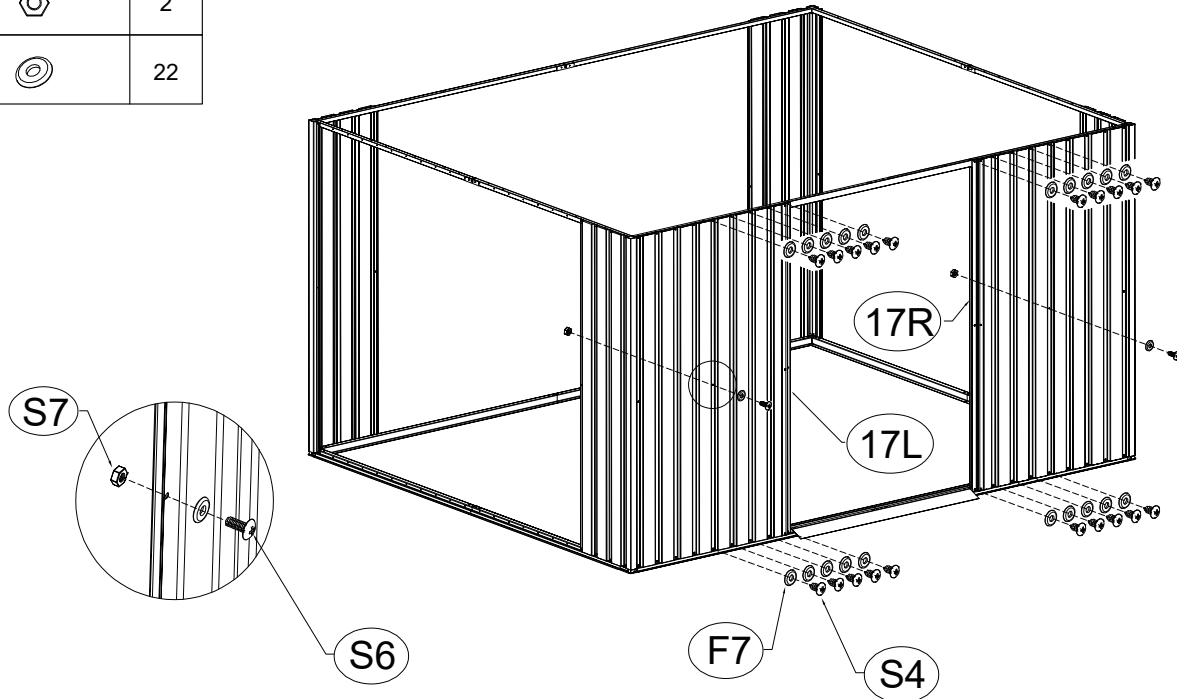








# Installation steps

Step 16		
NO.	PART.	Qty.
S4		20
S6		2
S7		2
F7		22

**Step 16:** Secure the mounted 17L, 17R and W6 to the upper and lower bezel bars and lock with screws.

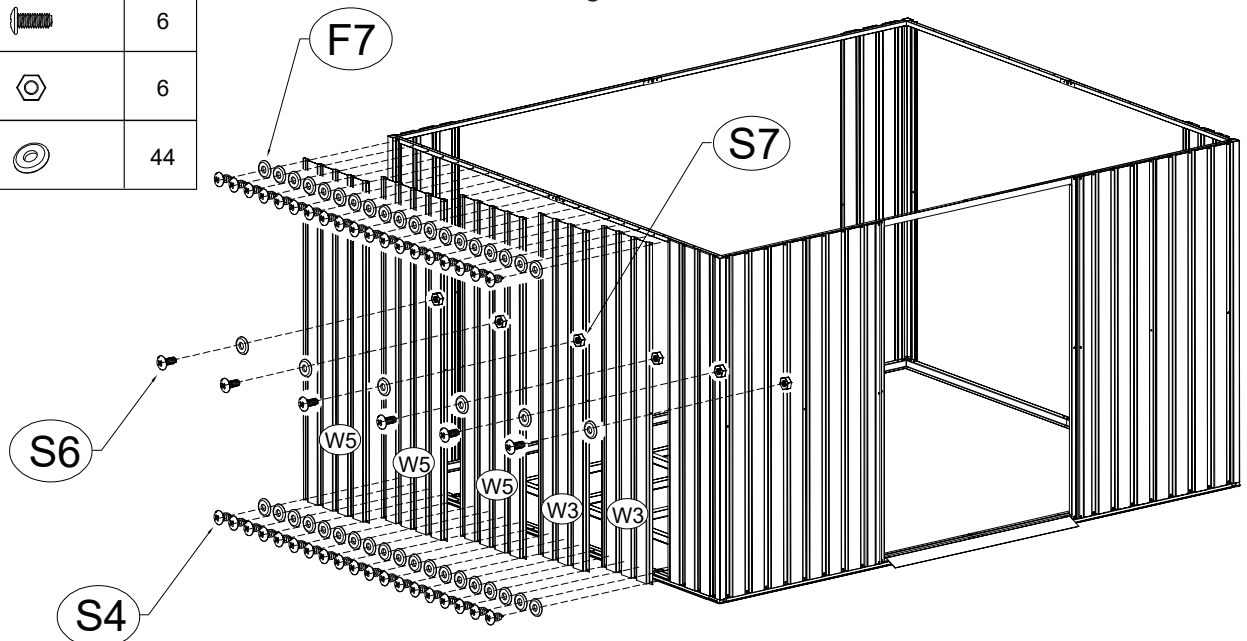
**Note:** Place the spacer into the screws first, then the spacer and bezel bar holes are aligned for installation. Five holes on one side.









Step 17		
NO.	PART.	Qty.
W3	 1560mm	2
W5	 1560mm	3
S4		38
S6		6
S7		6
F7		44

**Step 17:** Install the two W3 and three W5 in turn on the upper and lower bezel rods, with the upper and lower holes aligned with the holes on the bezel rods and fixed with mounting screws(S4), then align the holes in the middle of the partition and fix with screws(S6) and nuts(S7).

**Note:** Place the spacer into the screw first, then the holes are aligned for installation. When installing successively, the last hole of the first partition is not locked with screws, and then the screws are fixed when a section of the edge of the two boards is stacked together.

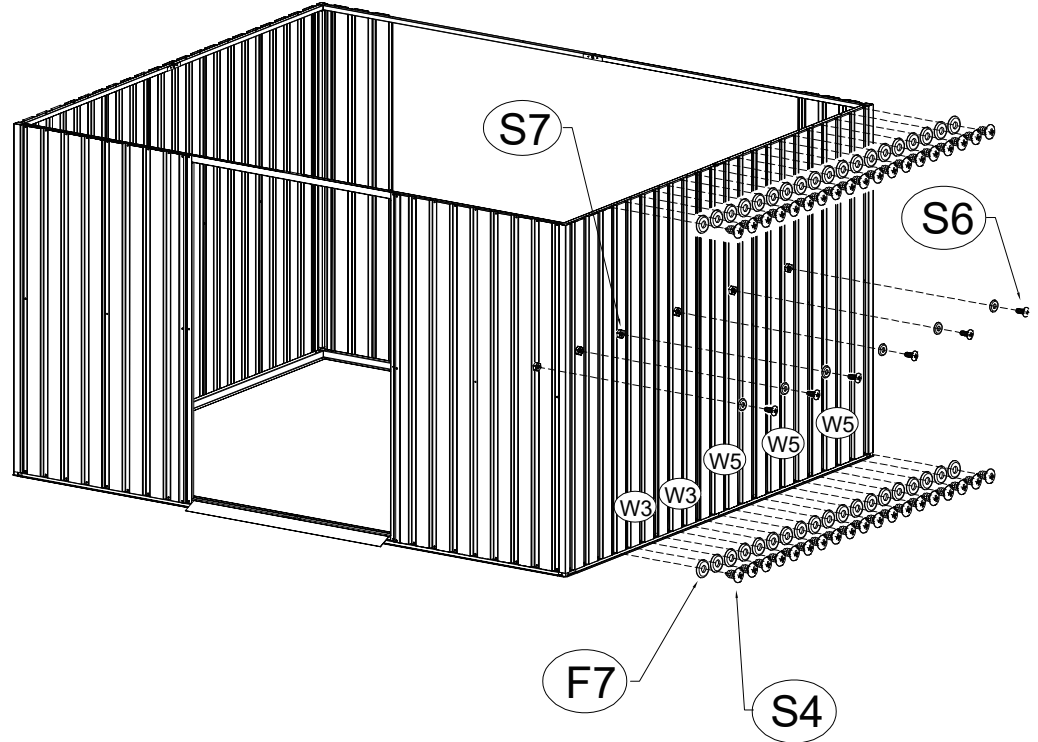







# Installation steps

Step 18		
NO.	PART.	Qty.
W3	 1560mm	2
W5	 1560mm	3
S4		38
S6		6
S7		6
F7		44

**Step 18:** Repeat the previous step, installing the right side spacer with W3 near the front door frame face.

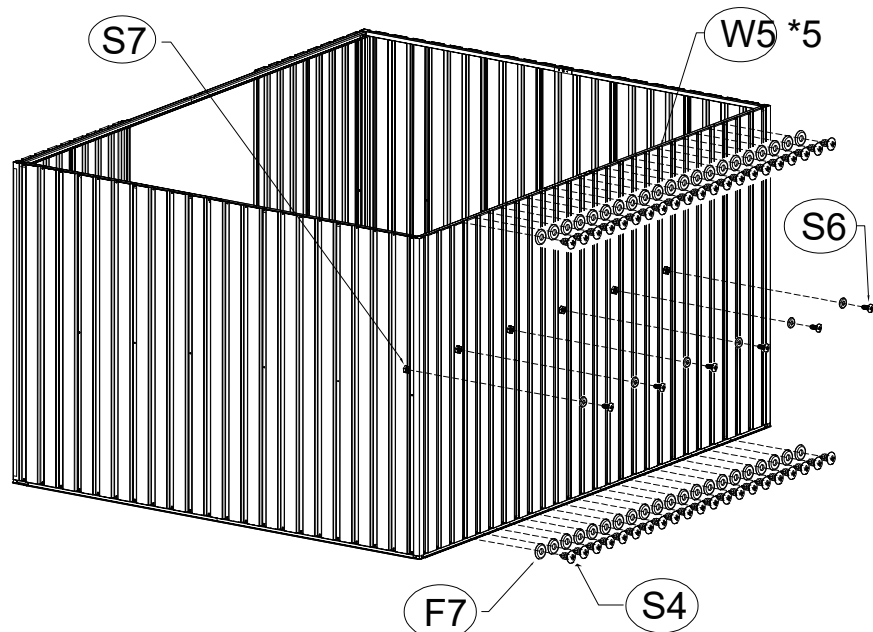
**Note:** Place the spacer into the screws first, then the spacer and bezel bar holes are aligned for installation.




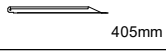
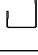

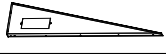




Step 19		
NO.	PART.	Qty.
W5	 1560mm	5
S4		42
S6		6
S7		6
F7		48

**Step 19:** Attach the 5 W5 pieces in turn to the top and bottom bezel bars on the backside, with the upper and lower holes aligned with the holes on the bezel rods and fixed with mounting screws (S4), then align the holes in the middle of the partition and fix with screws (S6) and nuts (S7).

**Note:** Place the spacer into the screw first, then the holes are aligned for installation. When installing successively, the last hole of the first partition is not locked with screws, and then the screws are fixed when a section of the edge of the two boards is stacked together.

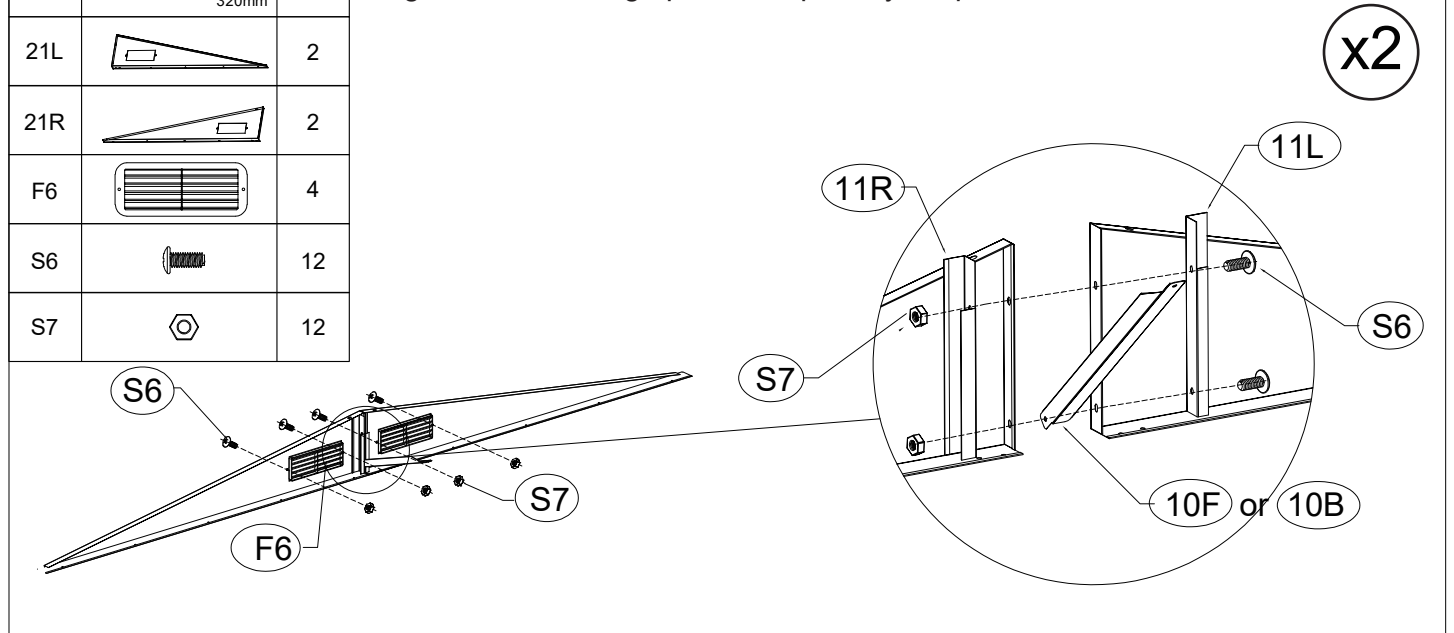



# Installation steps

Step 20		
NO.	PART.	Qty.
10F	 405mm	1
10B	 405mm	1
11L	 320mm	2
11R	 320mm	2
21L	 2	2
21R	 2	2
F6	 4	4
S6	 12	12
S7	 12	12

**Step 20:** Install the plastic vent window(F6) inside the triangular support plate(21L,21R) and secure it with screws(S6) and nuts(S7), with the nuts installed on the inside. Then snap 11L and 11R into the triangular support plate(21L,21R), with the holes aligned, and sandwich 10F between the two triangular support plates(21L,21R), with the holes aligned with the holes near the long right-angled side, and fasten with screws(S6) and nuts(S7).

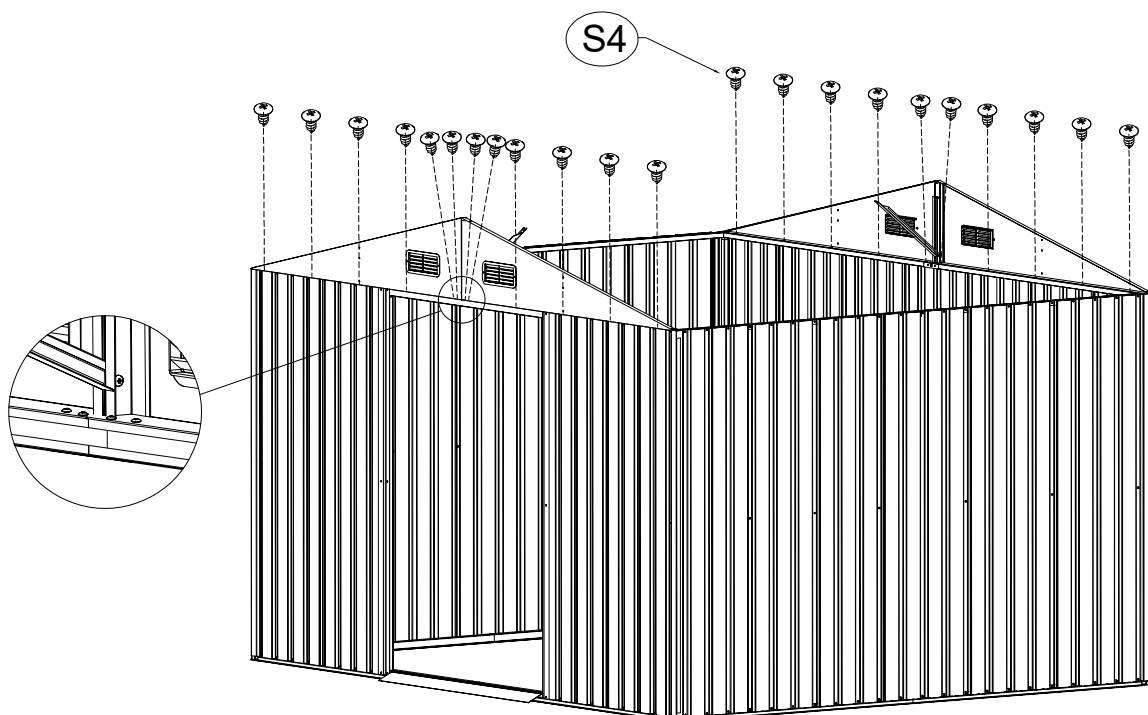
**Note:** Place the spacer into the screws first, then the spacer and bezel bar holes are aligned for installation. Note the orientation of the diagonal struts, with the diagonal ends facing up and temporarily suspended in the air.



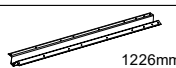


Step 21		
NO.	PART.	Qty.
S4	 22	22

**Step 21:** Align the triangular support plate(21L,21R) with the upper bezel bar holes in the front and rear panels and lock with screws(S4).

**Note:** The spacer and bezel bar holes are aligned for installation. Note the orientation of the diagonal struts, with the diagonal ends facing up and temporarily suspended in the air.

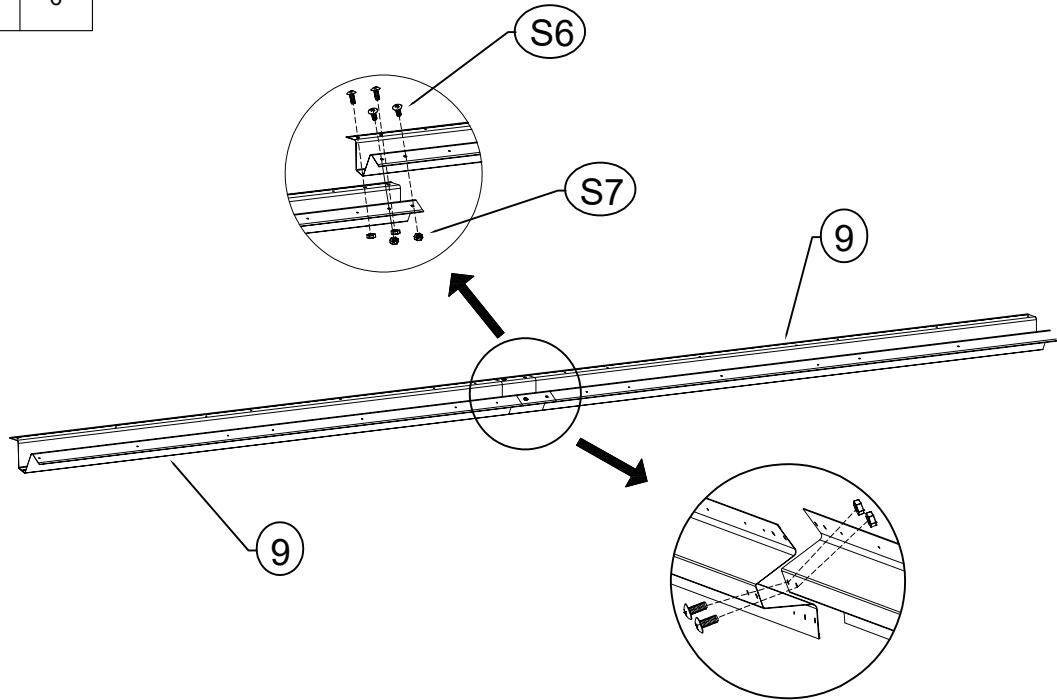



# Installation steps

Step 22		
NO.	PART.	Qty.
9	 1226mm	2
S6		6
S7		6

**Step 22:** Align the two top support bar(9) holes and secure with screws(S6) and nuts(S7).

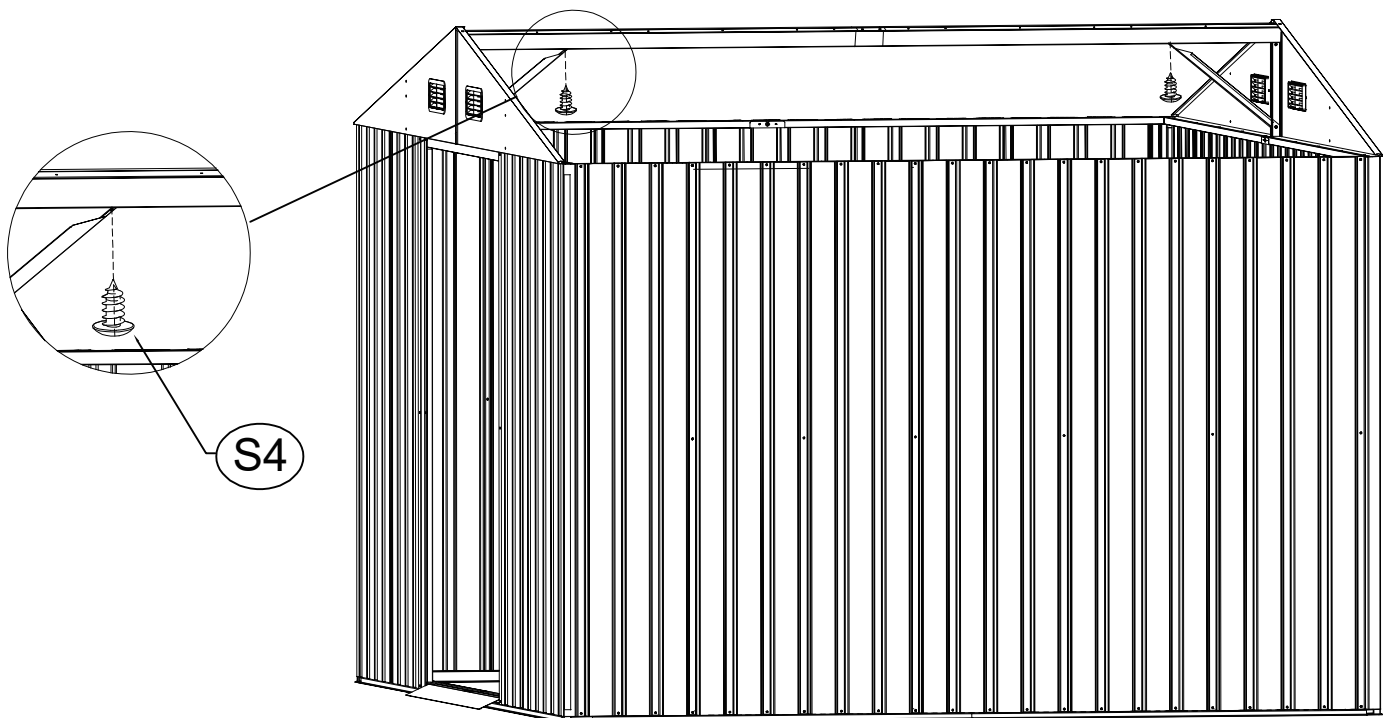
**Note:** Two segments with similar screw holes are mounted on top of each other, with the nut in the center section in the groove and the opposite on both sides.








Step 23		
NO.	PART.	Qty.
S4		2

**Step 23:** Snap the top support bar(9) into the triangular support plate(10B,10F) and screw the diagonal support bar to the top support bar.

**Note:** The diagonal support bar will be slightly bent and will not affect the product, the groove of the top support bar is facing up.

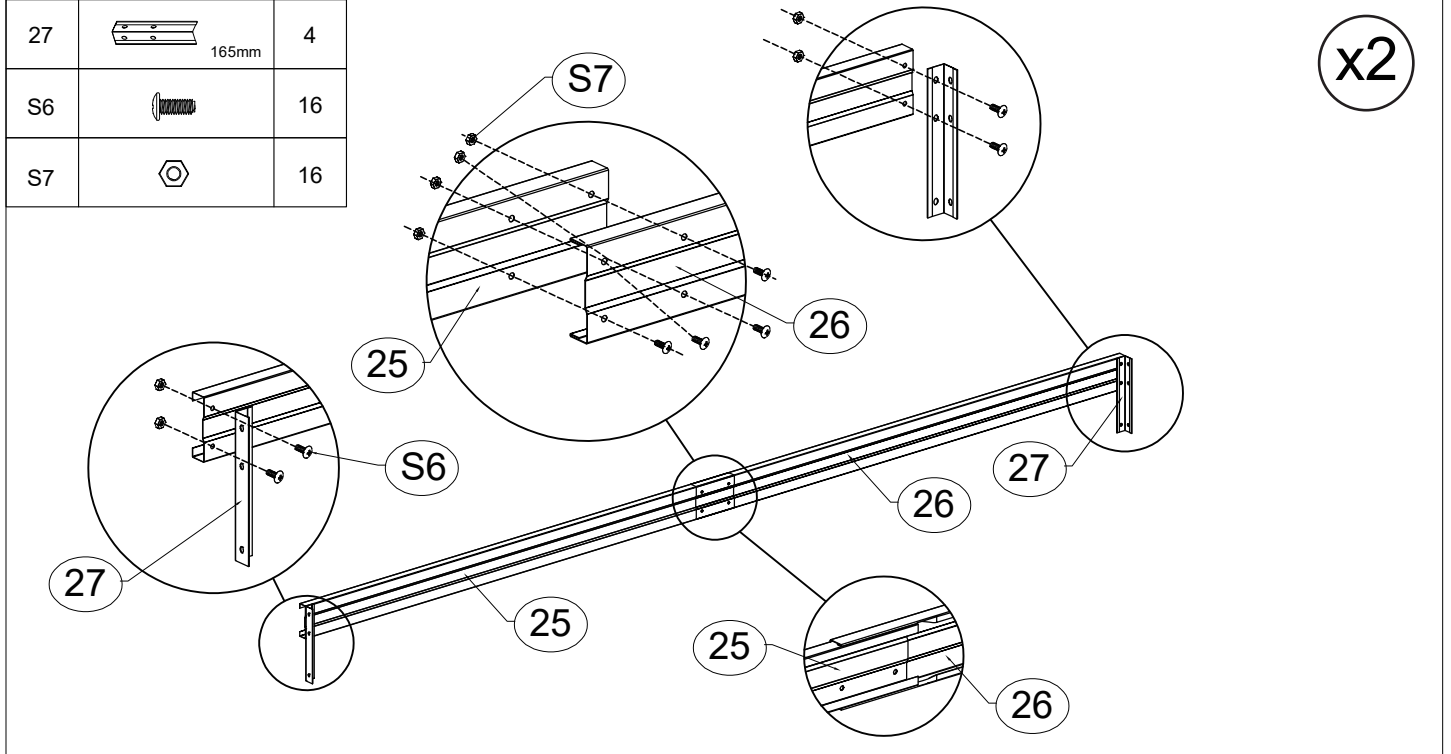





# Installation steps

Step 24		
NO.	PART.	Qty.
25	 1236mm	2
26	 1236mm	2
27	 165mm	4
S6		16
S7		16

**Step 24:** Connect the "L" shaped part(17) to the long pole at 90° and fix it with screws(S6 and S7), then connect the two long poles with screws(S6 and S7).

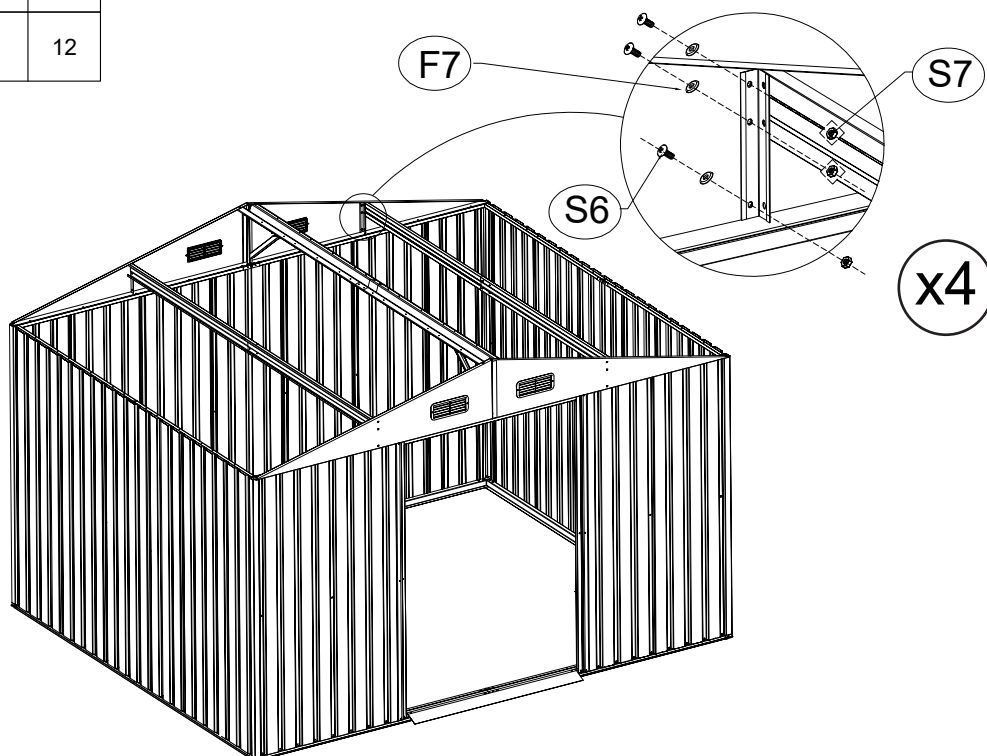
**Note:** Nut mounted inside the groove of the long rod.



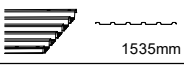


Step 25		
NO.	PART.	Qty.
S6		12
S7		12
F7		12

**Step 25:** Connect the long rod(25,26) to the triangular support plate(21L,21R) and secure it with screws(S6) and nuts(S7).

**Note:** Place the spacer on the screw first, with the nut on the inside of the triangular support plate.

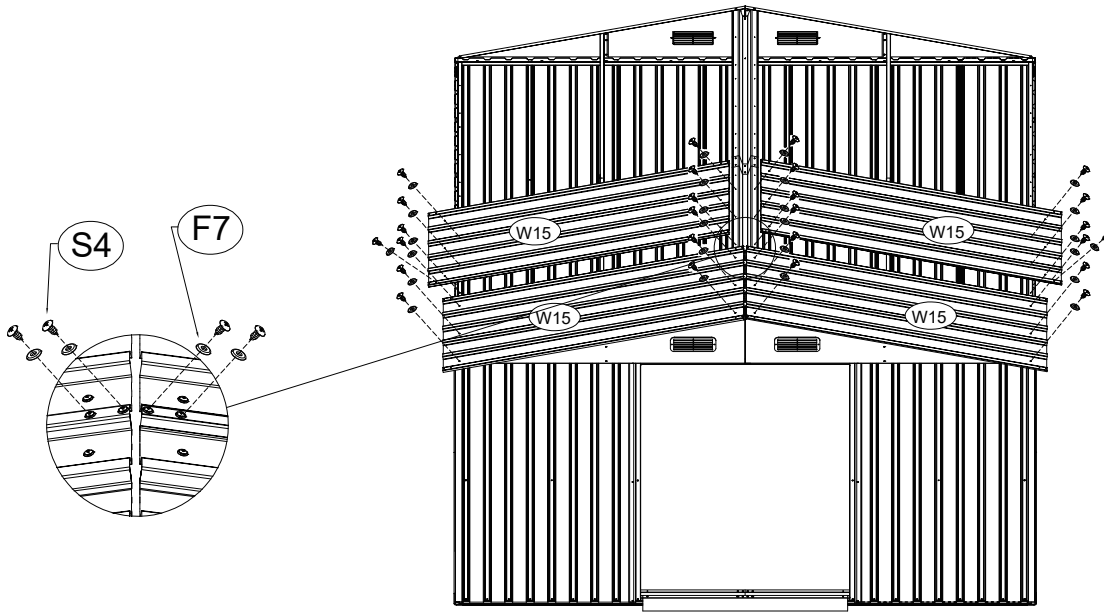


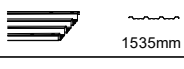
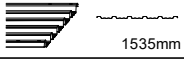


# Installation steps

Step 26		
NO.	PART.	Qty.
W15	 1535mm	4
S4		30
F7		30

**Step 26:** Attach the four W15 cover plates from the end near the door to the top bezel bar and support bar, with the holes lined up then mount with screws(S4).

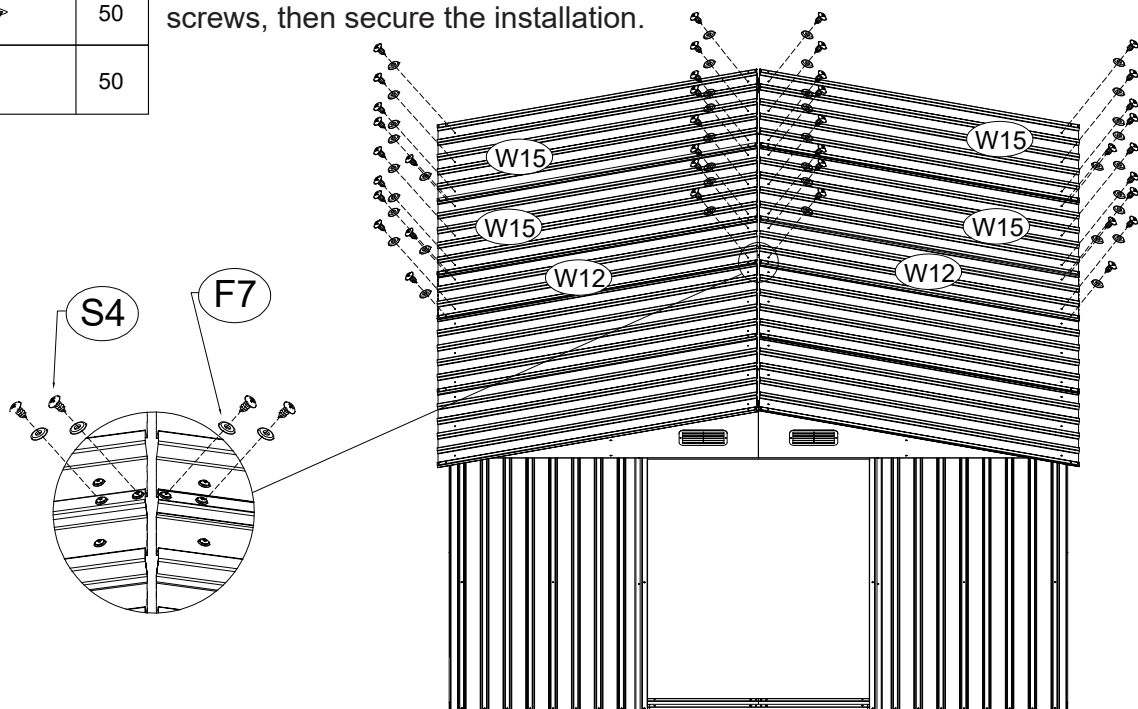
**Note:** Pay attention to the direction of the cover plate(W15), the "L" edge facing outward, the left and right sides of the outermost screw holes do not need to be installed, first put the gasket on the screws, and then fixed installation.



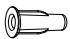
Step 27		
NO.	PART.	Qty.
W12	 1535mm	2
W15	 1535mm	4
S4		50
F7		50

**Step 27:** Install the two W12 cover plates in the center position, and then install the W15 cover plates in order to align the holes.

**Note:** Individual screw holes in the W12 and W15 recesses are mounted in alignment with the upper bezel bar and top support bar holes, W12 and W15 screws are mounted in the second holes, and the outermost left and right screw holes are not required to be mounted, with the spacers first placed on the screws, then secure the installation.

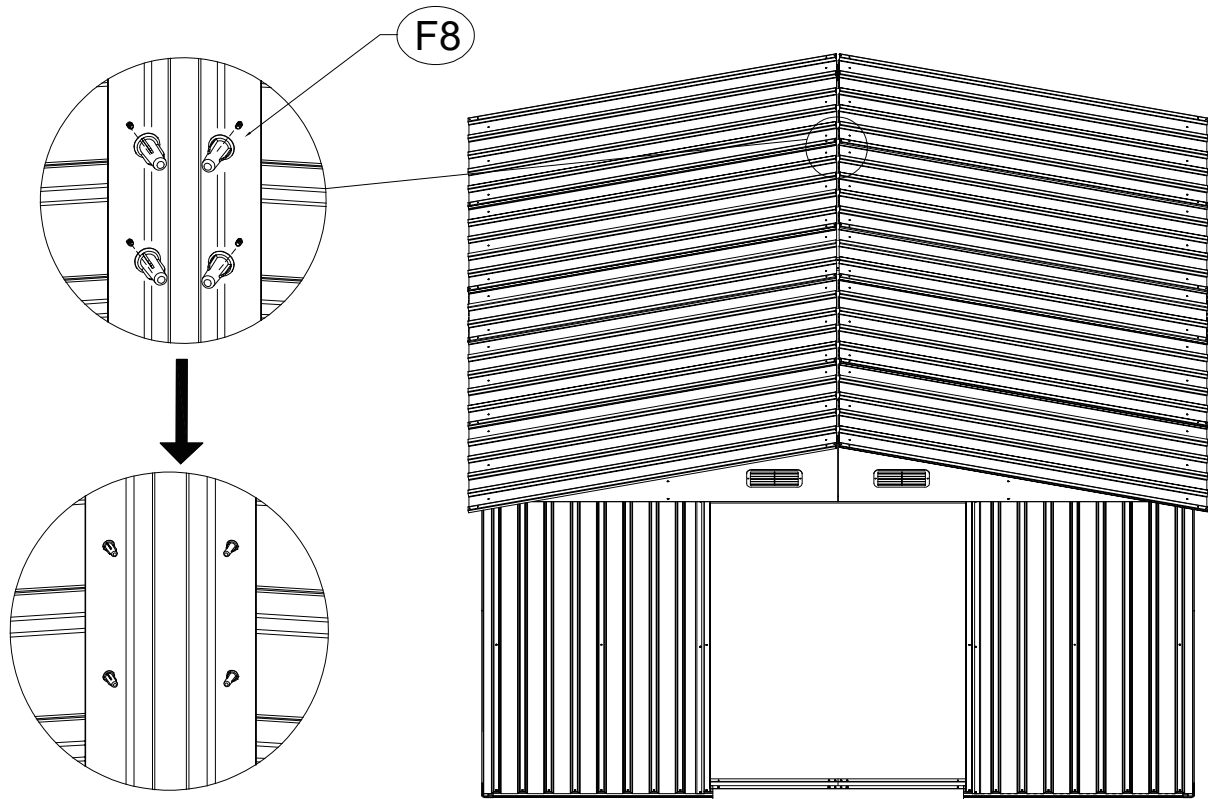





# Installation steps

Step 28		
NO.	PART.	Qty.
F8		28

**Step 28:** Place the plastic screw caps (F8) over the screws from the inside of the tool room and press firmly.

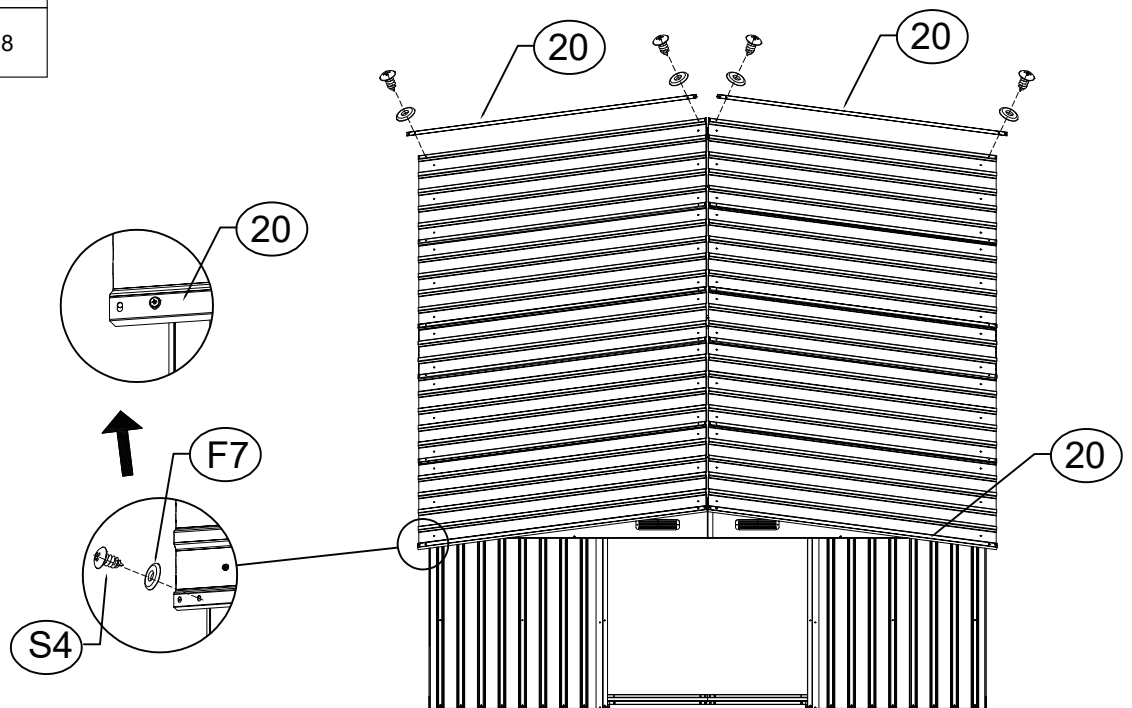
**NOTE:** This step is important to prevent problems with injuries.



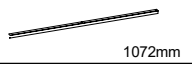
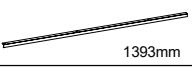




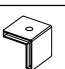
Step 29		
NO.	PART.	Qty.
20	 1543mm	4
S4		8
F7		8

**Step 29:** Screw the "L" shaped bezel strips (20) to the front and rear roof panels W15.

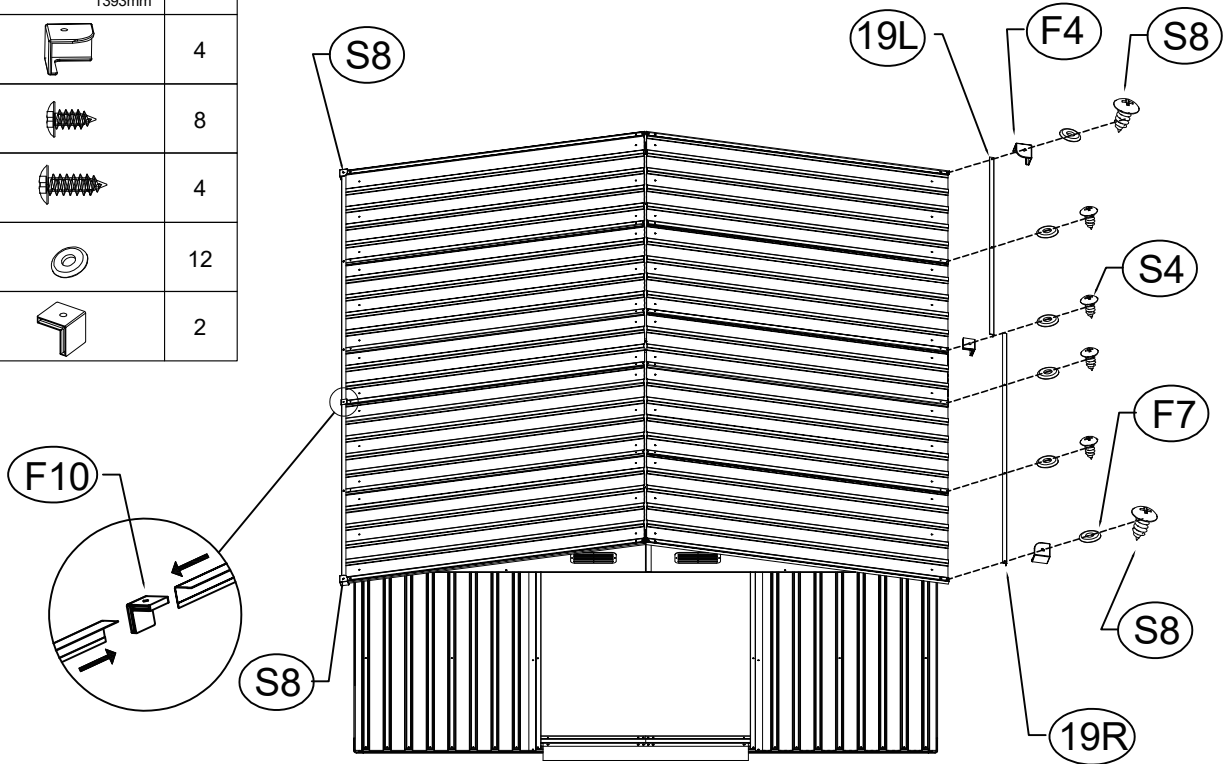
**NOTE:** The two screw holes at the far ends on part 20 do not lock with screws.

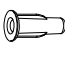


# Installation steps

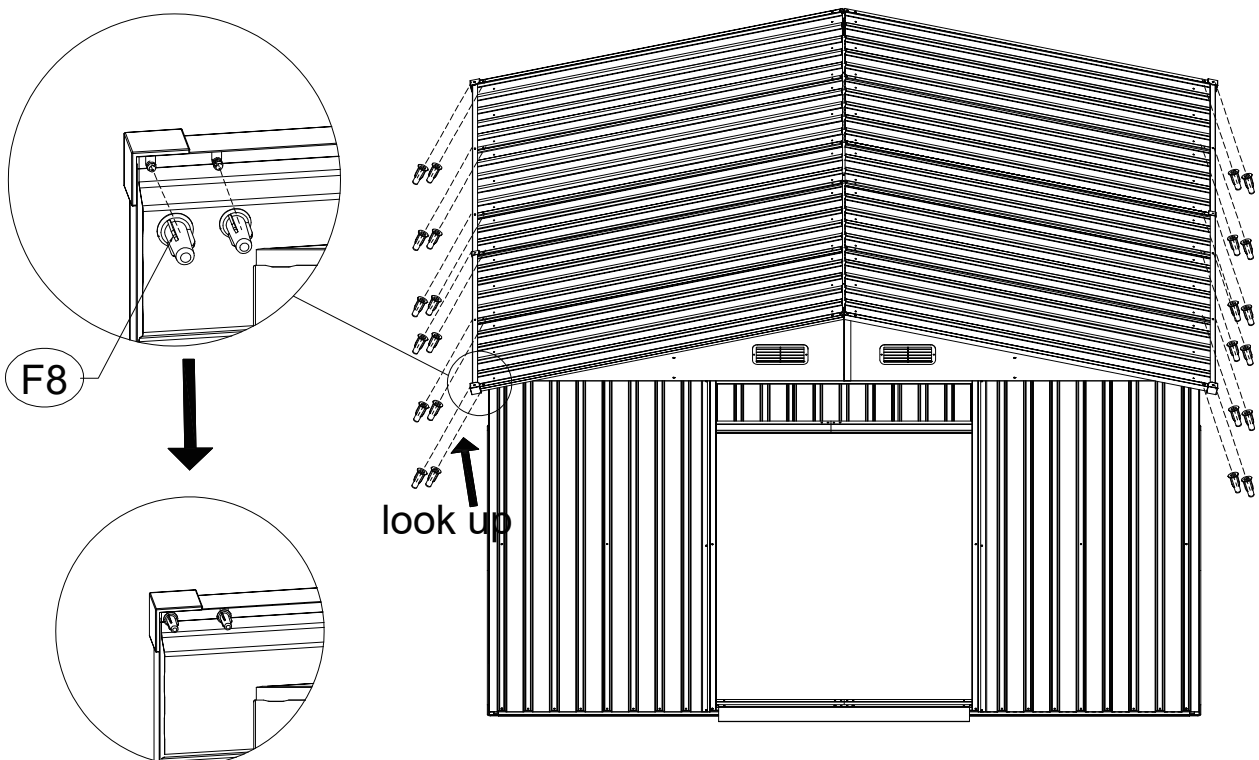
Step 30		
NO.	PART.	Qty.
19L	 1072mm	2
19R	 1393mm	2
F4		4
S4		8
S8		4
F7		12
F10		2

**Step 30:** Attach the "L" shaped parts(19L,19R) to the left and right edges of the cover, overlapping the four corners(F4) and the center(F10) joint with a plastic cover and securing it with screws.

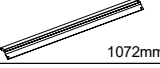
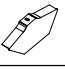
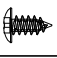





Step 31		
NO.	PART.	Qty.
F8		24

**Step 31:** Place the plastic screw caps(F8) over the screws on both sides from underneath.  
**NOTE:** This step is important to prevent problems with injuries.

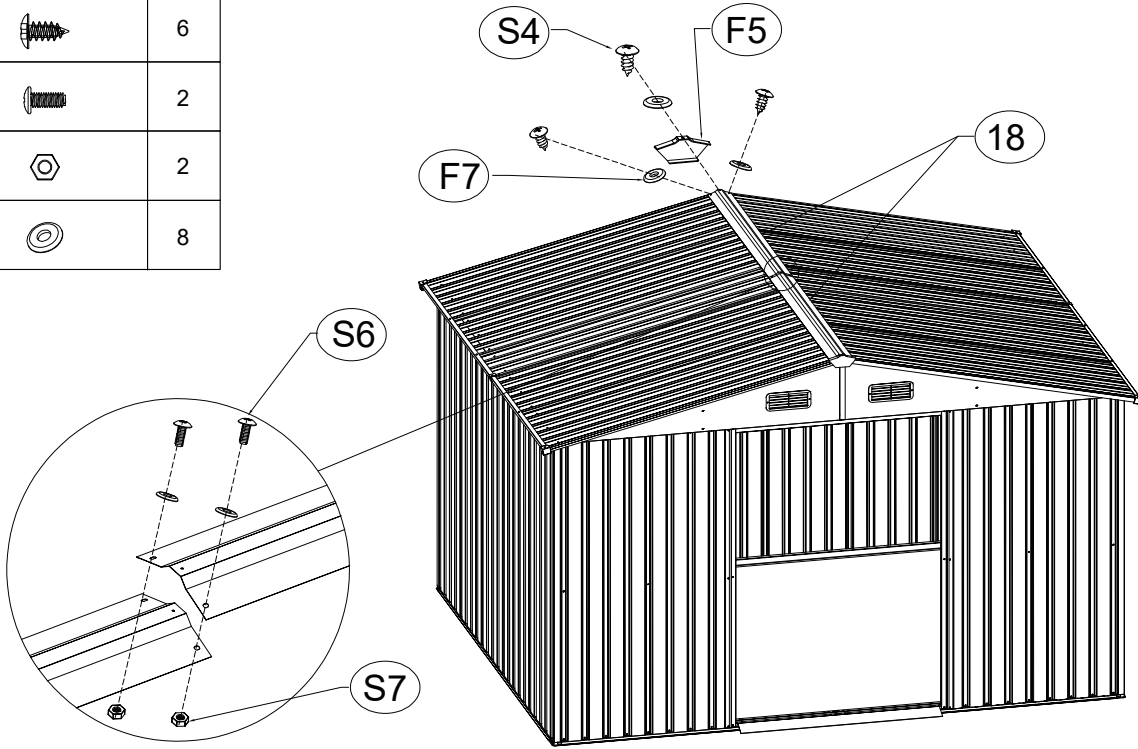




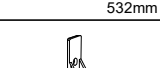



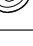

# Installation steps

Step 32		
NO.	PART.	Qty.
18	 1072mm	2
F5	 1393mm	2
S4		6
S6		2
S7		2
F7		8

**Step 32:**The screw holes on both sides of the top long cover plate(18) are first attached with screws(S6) and nuts(S7), and then fixed to the top of the tool room through the center holes, securing it to the cover plate (W15) with plastic pieces (F5) at both ends.

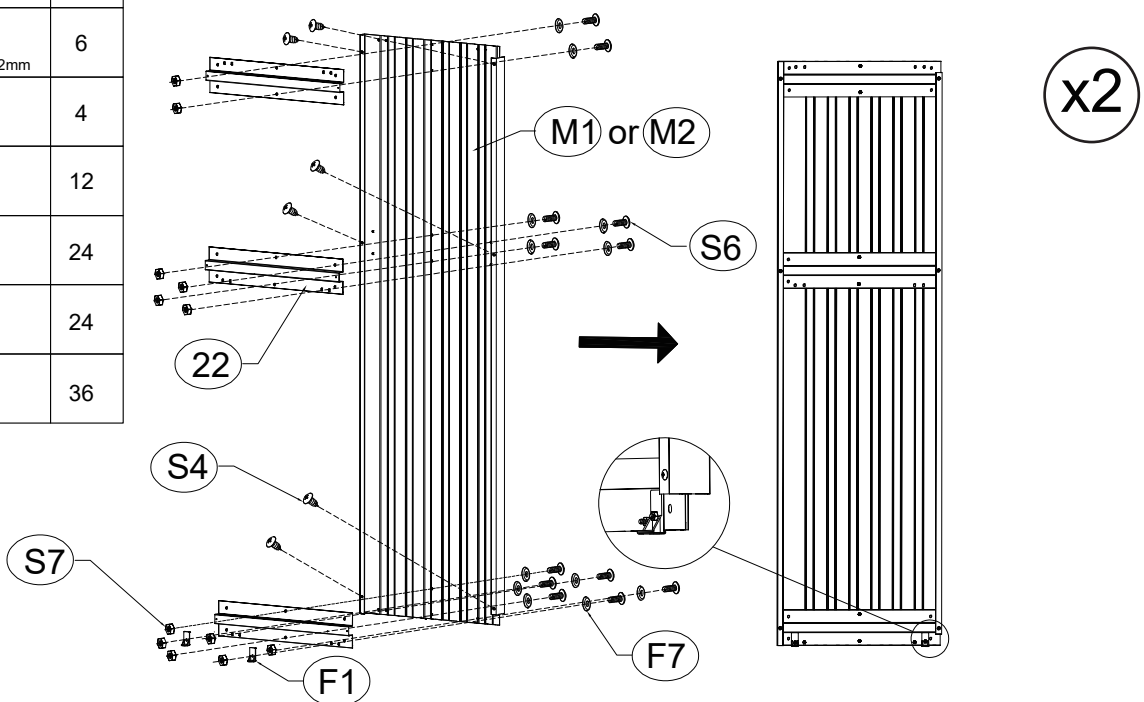
**NOTE:**The top load is limited, please be careful when installing the center screw.





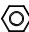
Step 33		
NO.	PART.	Qty.
M1	 1560mm	1
M2	 1560mm	1
22	 532mm	6
F1		4
S4		12
S6		24
S7		24
F7		36

**Step 33:**Mount part 22 on the door panel (M1,M2), then mount the "L" shaped plastic part (F1) on the bottom of the door panel and secure it with screws (S6) and nuts (S7).

**NOTE:**Nut mounted inside the door panel.

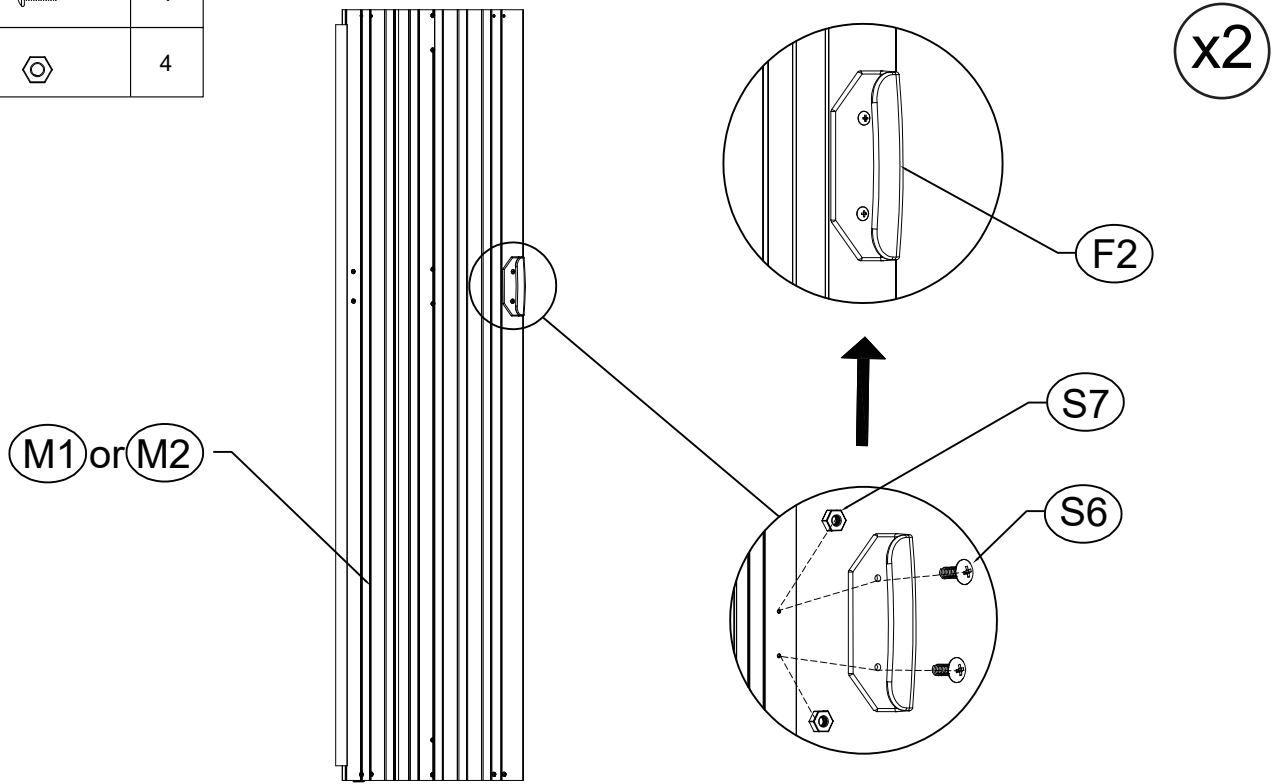



# Installation steps

Step 34		
NO.	PART.	Qty.
F2		2
S6		4
S7		4

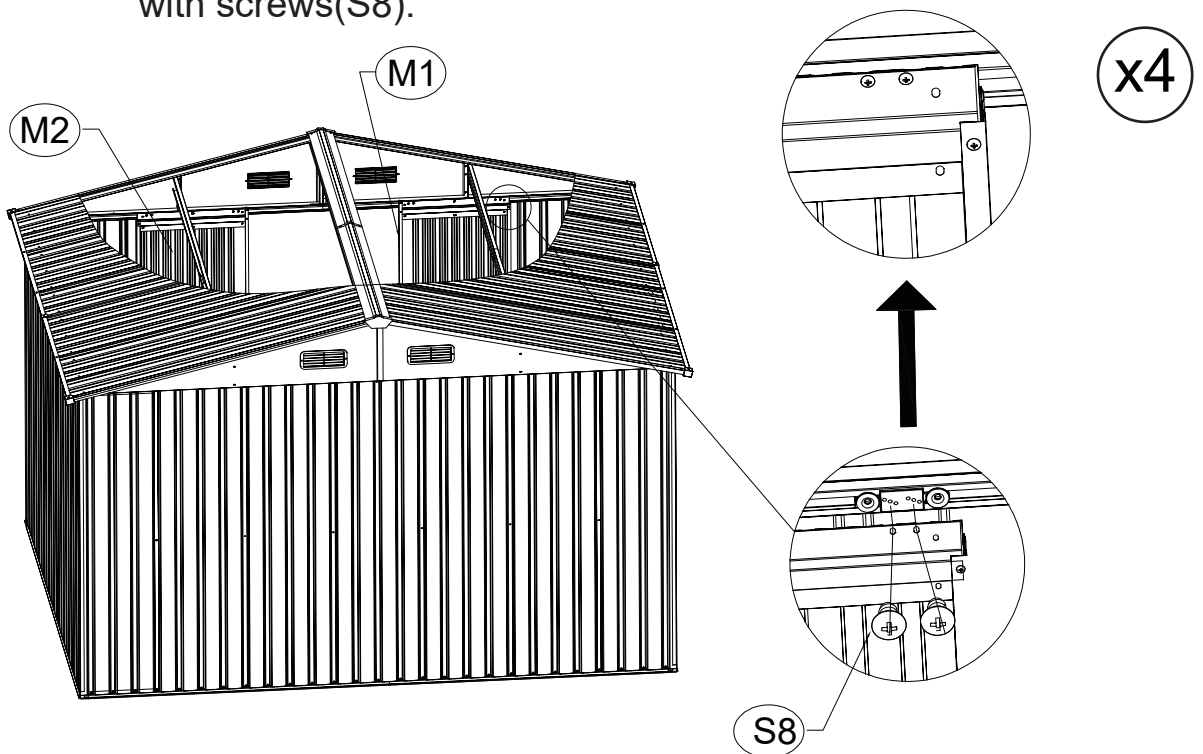
**Step 34:** Fix the door handle (F2) to the door panel (M1,M2) with screws (S6) and nuts (F7).

**NOTE:** Pay attention to the direction of the door handle.




Step 35		
NO.	PART.	Qty.
S8		8

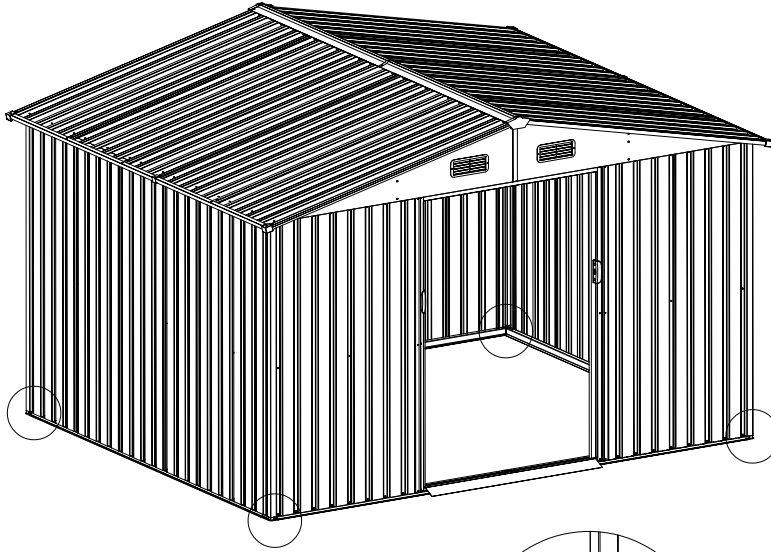
**Step 35:** Insert the lower part of the door panel (M1,M2) into the slide groove at the bottom of the door frame and fix the upper part to the plastic pulley at the top of the door frame and lock it with screws (S8).



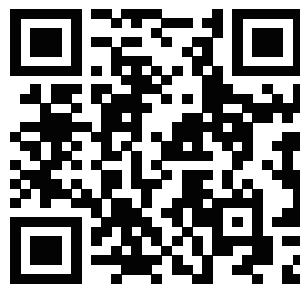
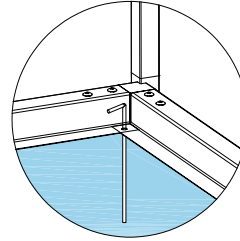
# Installation steps

Step 36		
NO.	PART.	Qty.
S9		4

**Step 36:** Secure the tool shed to the floor by attaching floor spikes(S9) from the inside.



If the shed is installed on grass, the [S9] can be used to increase the stability of the shed.



[www.alaulm.com](http://www.alaulm.com)

Make your life much better.