

INSTALLATION

Product Manual



IMPORTANT INFORMATION!

please read the entire manual before starting to assemble and/or using this product. follow the manual thoroughly and keep it for further reference.



AVOID SCRATCHES!

In order to avoid scratching this furniture should be assembled on a soft layer- could be a rug.



IMPROVE EFFICIENCY !

Try to find a partner to install with you, which can speed up the installation efficiency and shorten the time.



ANTI-TOPPLE WARNING !

Overturned furniture can cause serious or fatal crush injuries. To prevent tipping over, be sure to use the wall attachment, if not included with this product. Please purchase the wall attachment that fit your wall. If unsure, seek professional advice. Please read and follow each step of the instructions carefully.

IMPORTANT !

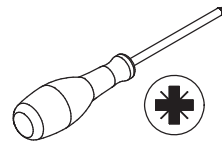
It is important that any product which is assembled using any kind of screw is re-tightened 2 weeks after assembly, and once every 3 months - in order to assure stability through-out the lifespan of the product.

For regular maintenance and cleaning of the product, for the frame, please use a rag dipped in neutral detergent to fully wipe it, and then dry it with a clean rag. For glass materials, wipe with a rag dampened with water glass cleaner, and then dry with a dry rag.

Do not use an electric screwdriver, and do not use too much force when installing, because the board is easy to break.

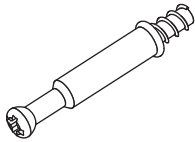


Please prepare the following tools



When installing, please carefully confirm whether each screw corresponds to the manual, accessories with similar shapes can be distinguished by size

A x 107+5



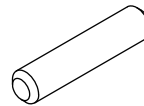
Ø 6 x 35 mm

B x 107+5



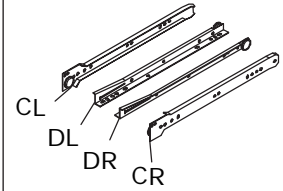
Ø 15 x 9.5 mm

C x 16+1



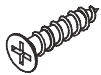
Ø 8 x 30 mm

D x 6



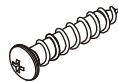
L=300 mm

E x 48+5



Ø 3 x 12 mm

F x 32+3



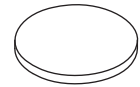
Ø 4 x 12 mm

G x 8+1



Ø 3.5 x 12 mm

H x 8+1

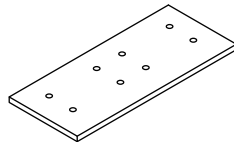


J x 8+1

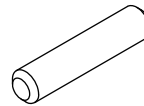


Ø 6 x 20 mm

K x 4

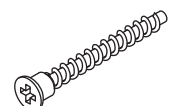


L x 6+1



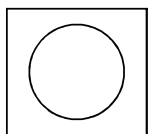
Ø 8 x 50 mm

M x 20

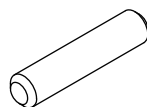


Ø 5 x 40 mm

N x 107+5

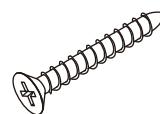


P x 12+1

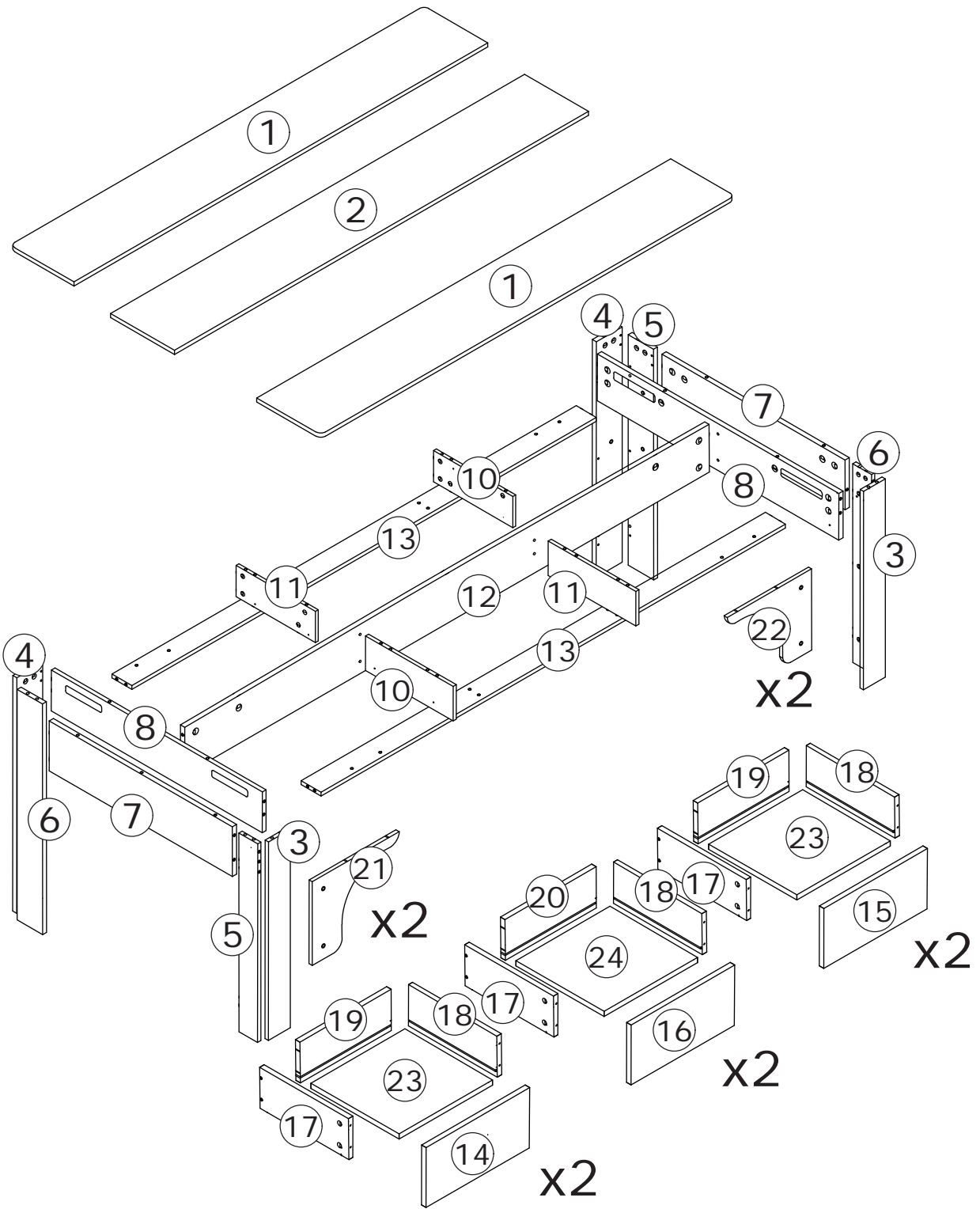


Ø 6 x 30 mm

Q x 24+2



Ø 4 x 30 mm



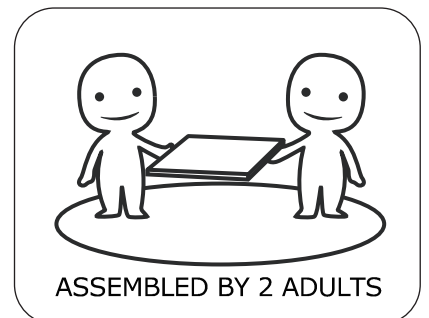
⚠ WARNING



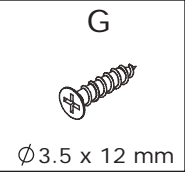
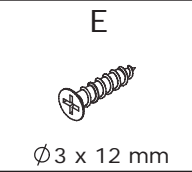
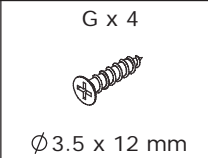
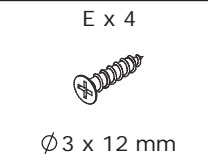
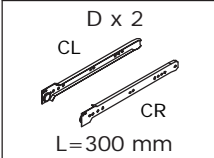
Children have died from furniture tipover. To reduce the risk of furniture tipover:

- ALWAYS install Anti-tip device provided.
- NEVER put a TV on this product.
- NEVER allow children to stand, climb or hang on drawers, doors, or shelves.
- NEVER open more than one drawer at a time.
- Place heaviest items in the lowest drawers.

*This is a permanent label.
Do not remove!*

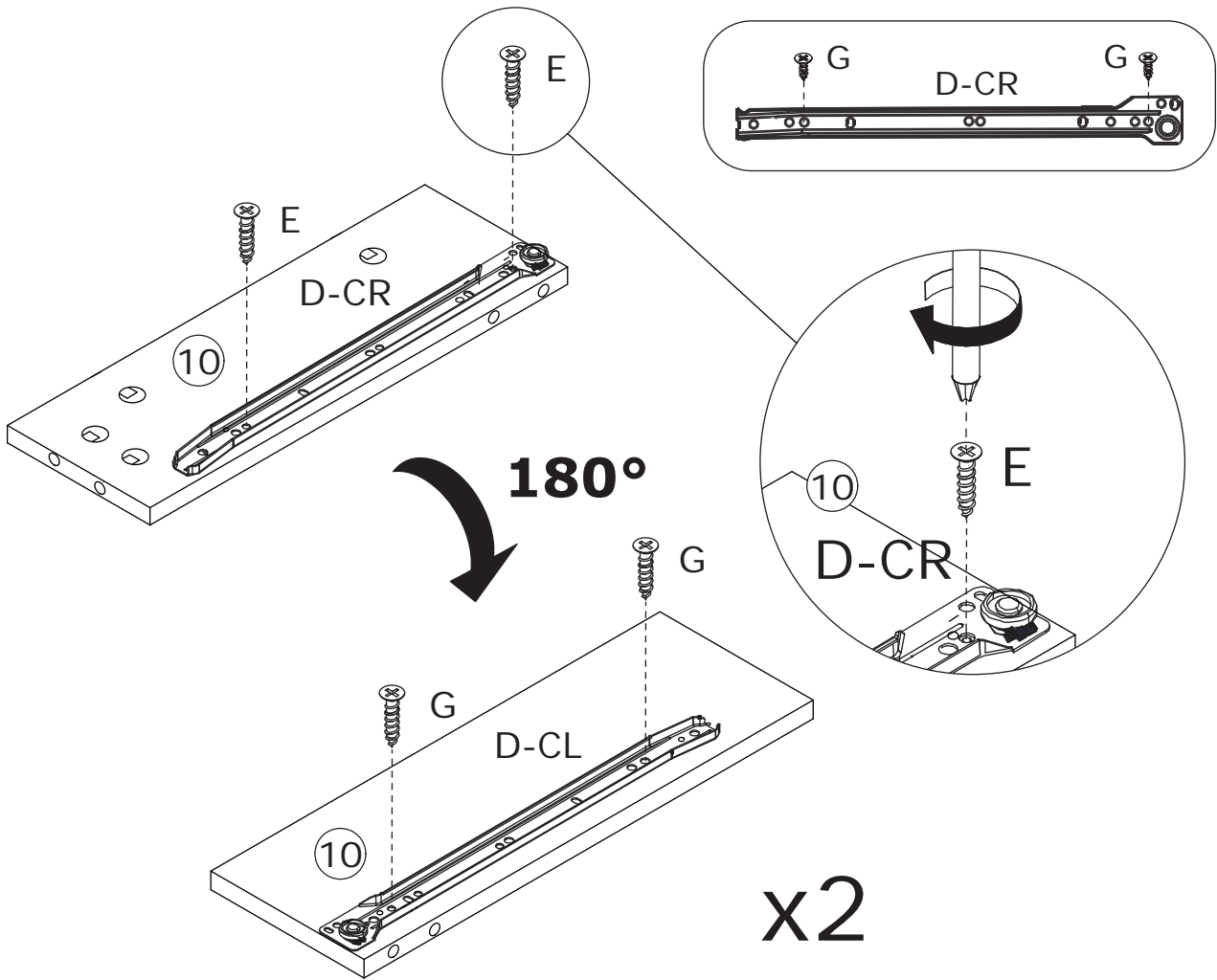


1



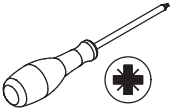
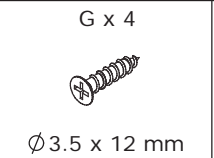
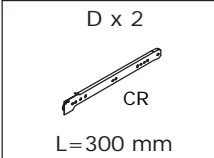
Use screw (E) to secure the slide rail (D-CR) to Board #10.

Flip it 180 degrees, then use screw (E) to secure the slide rail (D-CL) to Board #10.

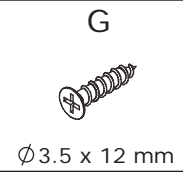
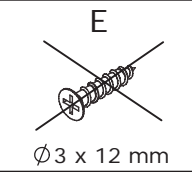


- Please note that the positions of the screws for these two sliding rails are different.

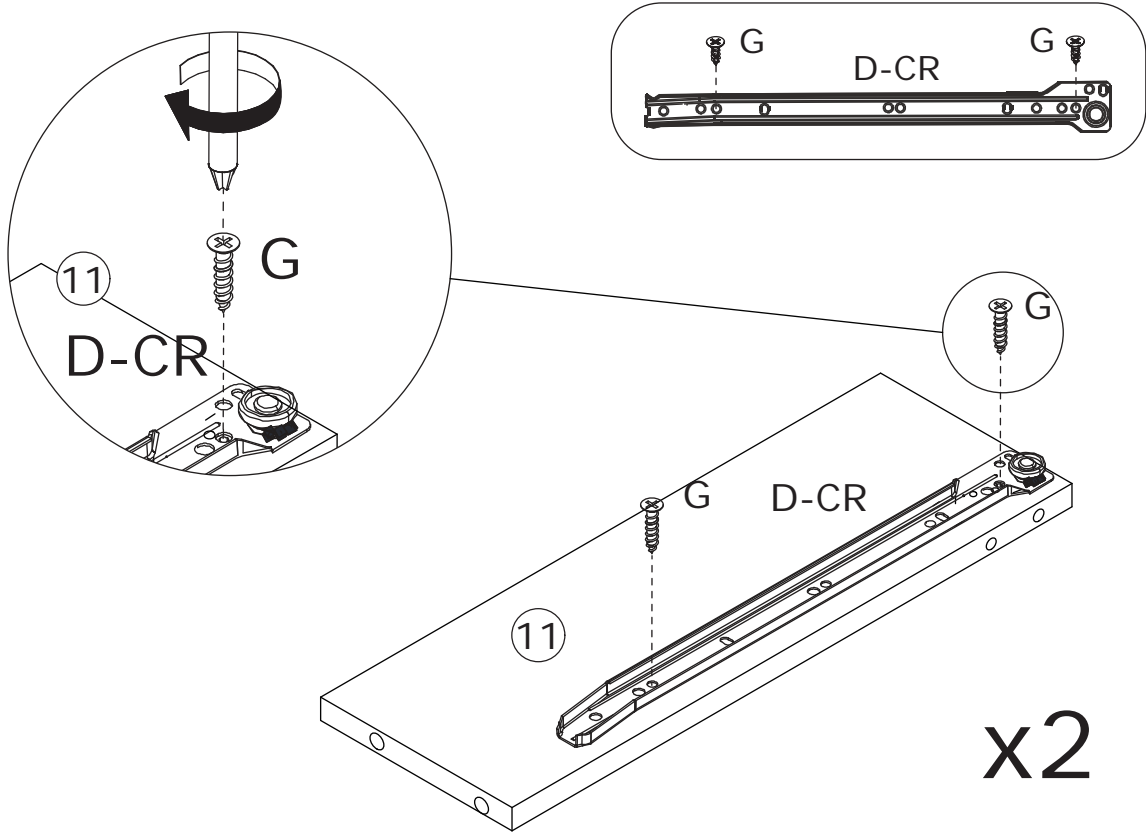
2



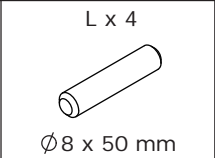
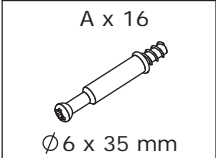
Use screw (G) to secure the slide rail (D-CR) to Board #11, as shown.



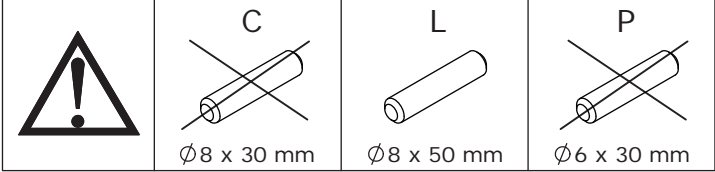
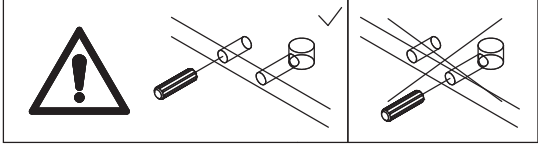
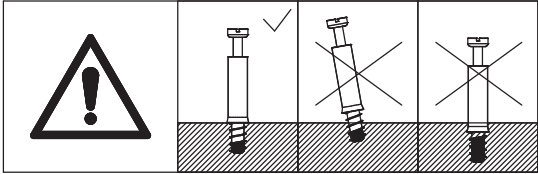
Utilisez la vis (E) pour fixer le rail coulissant (D-CR) à la carte n° 10. Tournez-le à 180 degrés, puis utilisez la vis (E) pour fixer le rail coulissant (D-CL) à la carte n° 10.



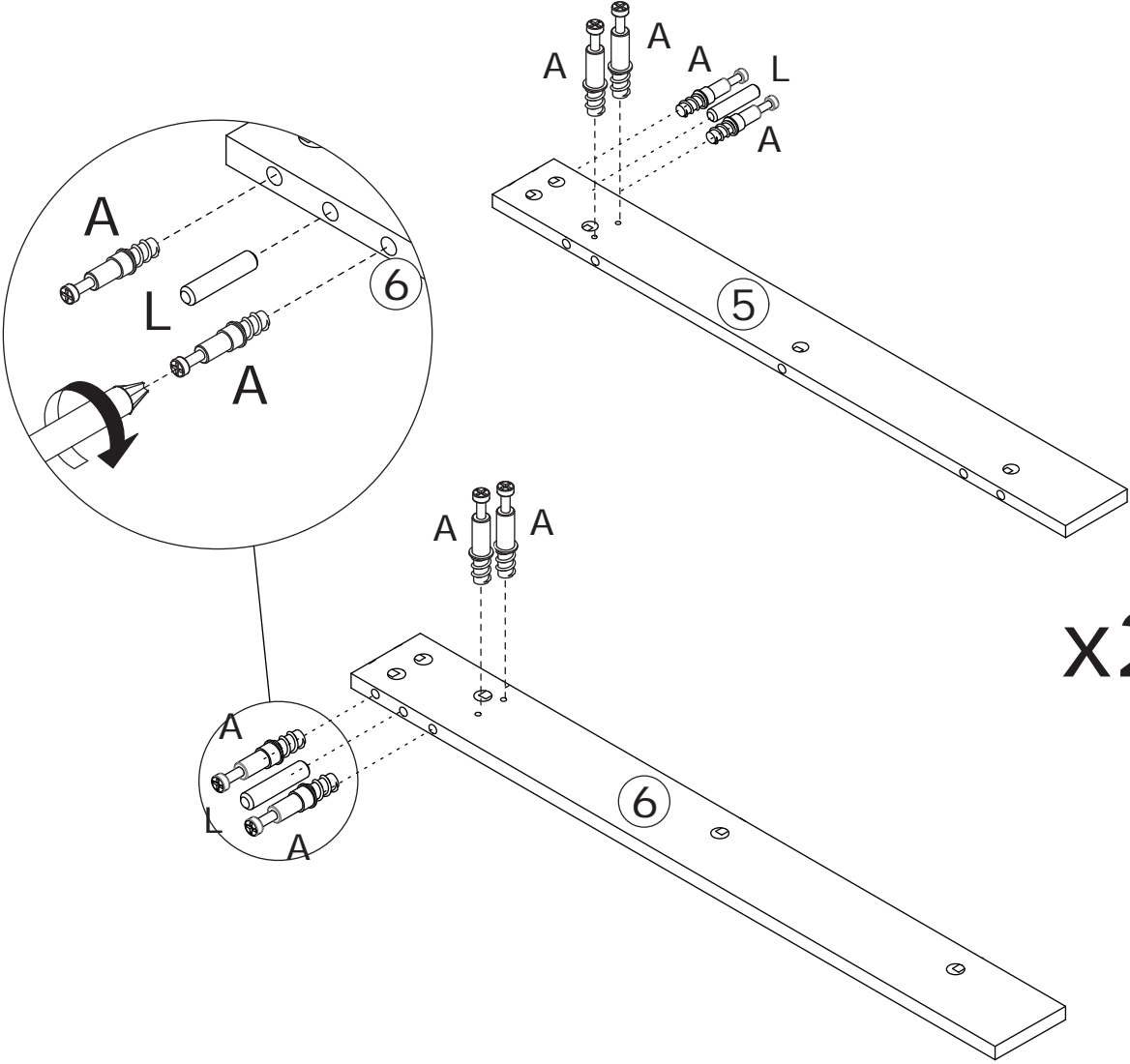
3



Screw eccentric rod (A) and insert dowel (L) to Boards #5 and #6, as shown.



Vissez la tige excentrique (A) et insérez la cheville (L) dans les planches n° 5 et n° 6, comme illustré.

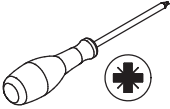


x2

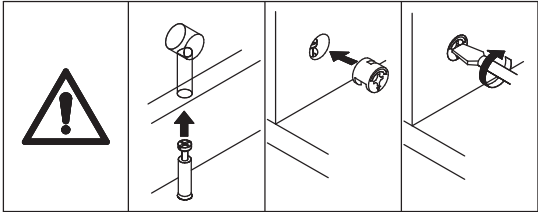
x2

4

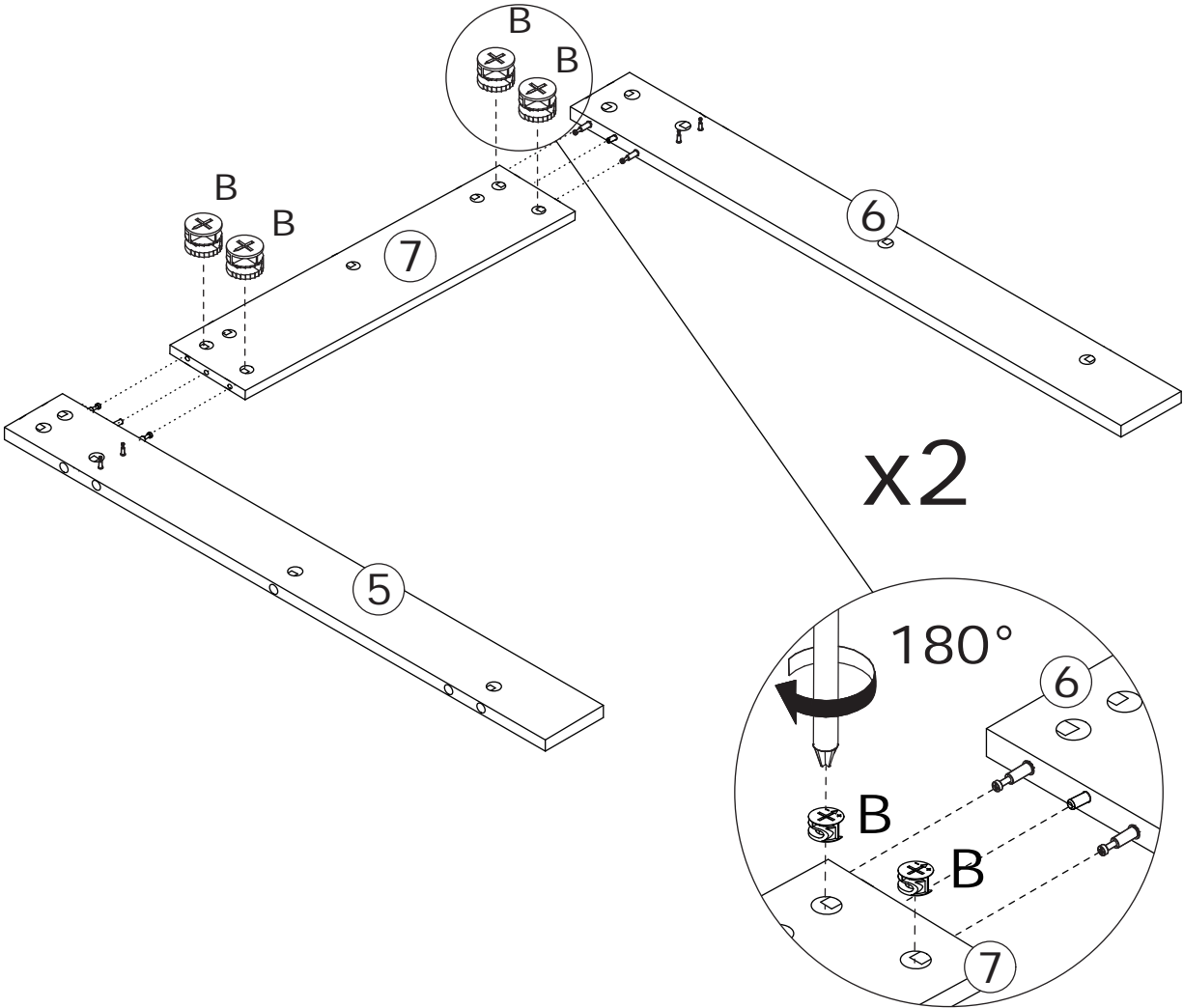
B x 8
Ø 15 x 9.5 mm



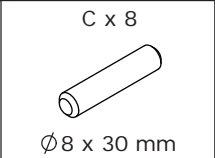
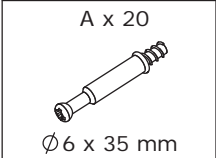
Connect Board #7 to Boards #6 and #5, tighten by turning cam lock (B) clockwise, as shown.



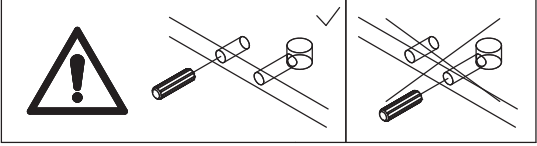
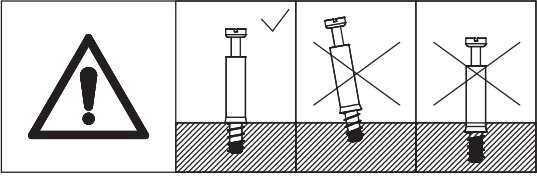
Connectez la planche n° 7 aux planches n° 6 et n° 5, puis serrez en tournant le loquet à came (B) dans le sens des aiguilles d'une montre, comme illustré.



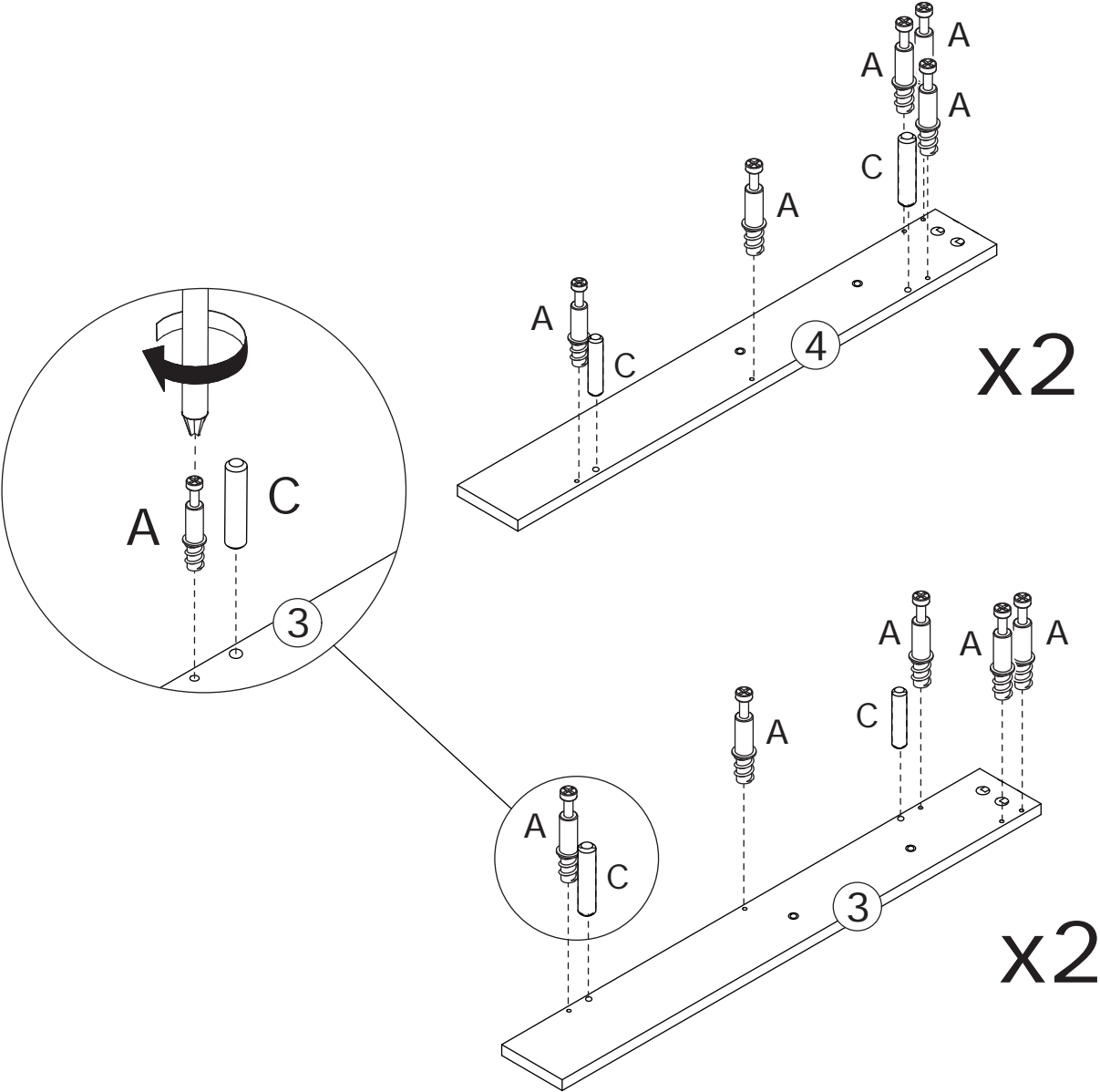
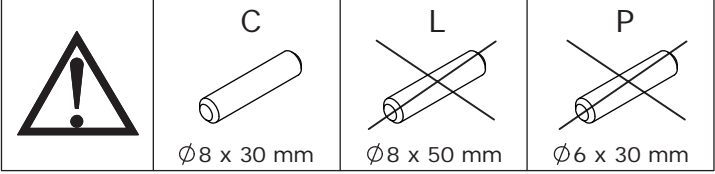
5



Screw eccentric rod (A) and insert dowel (C) to Boards #4 and #3, as shown.

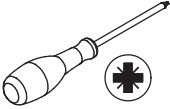


Vissez la tige excentrique (A) et insérez la cheville (C) dans les planches n° 4 et n° 3, comme illustré.

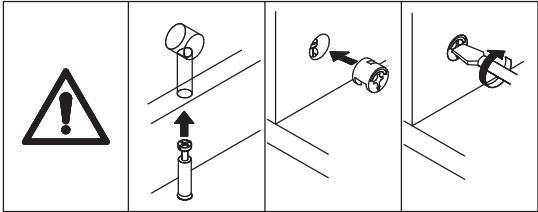


6

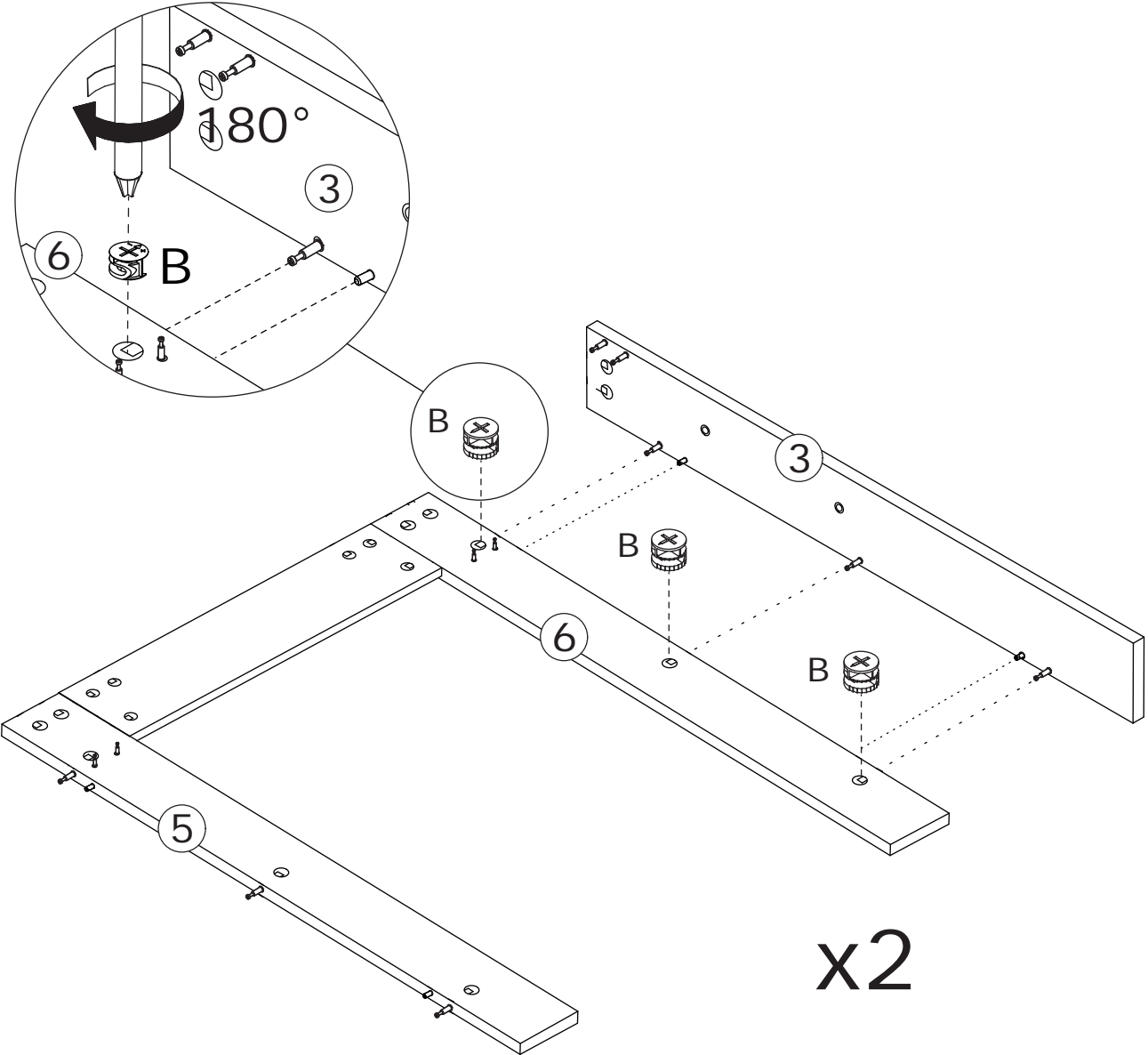
B x 6
Ø 15 x 9.5 mm



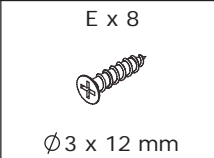
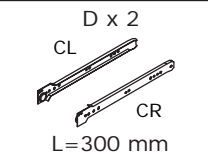
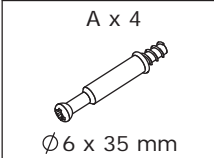
Connect Board #3 to Board #6, tighten by turning cam lock (B) clockwise, as shown.



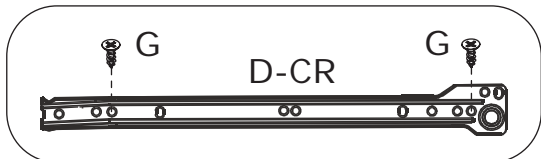
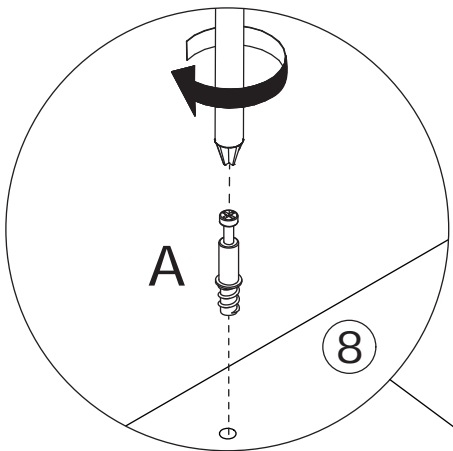
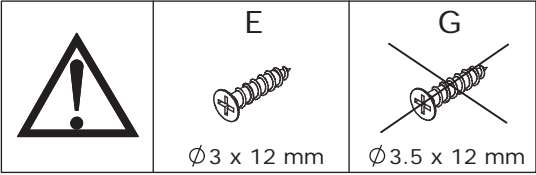
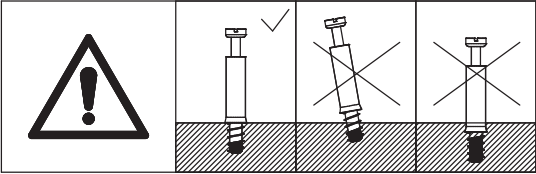
Connectez la carte n° 3 à la carte n° 6, puis serrez en tournant le verrou à came (B) dans le sens horaire, comme illustré.



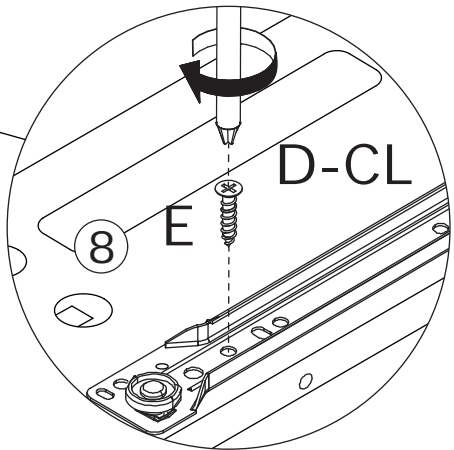
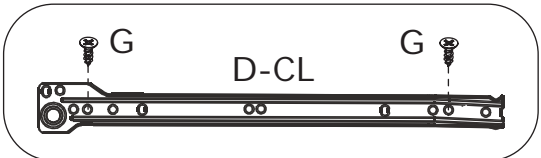
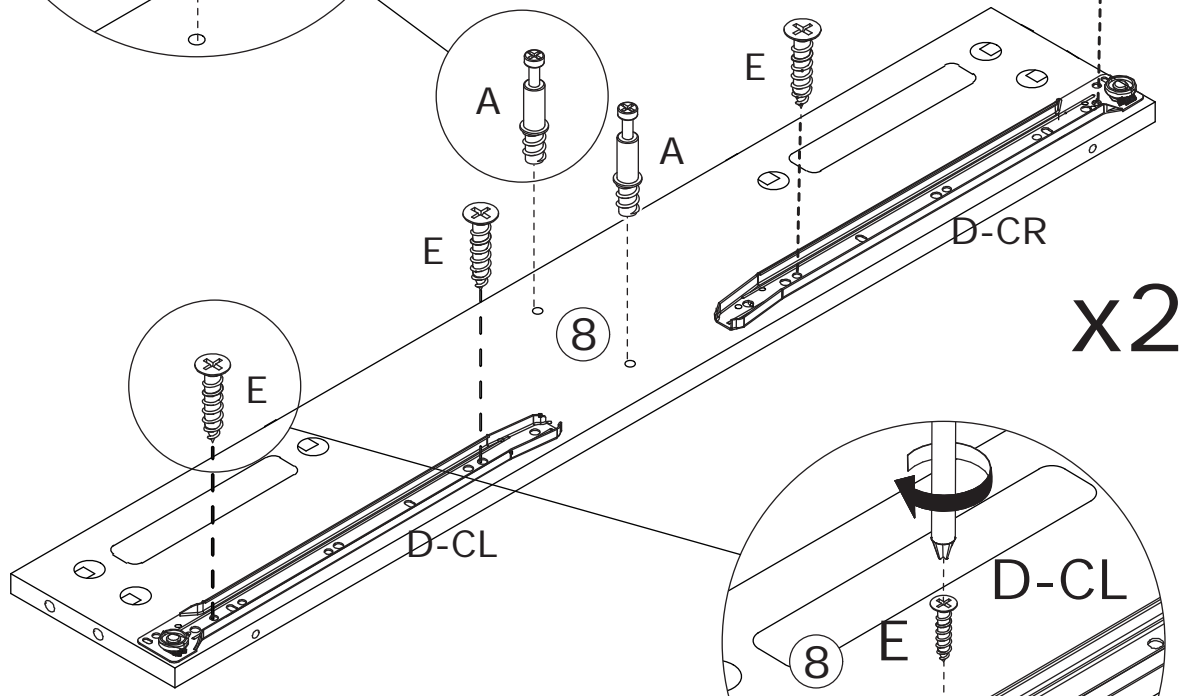
7



First, screw eccentric rod (A) to Board #8.
 Then, use screw (E) to secure the slide rails (D-CR, D-CL) to Board #8, as shown.



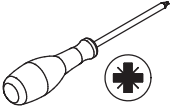
Commencez par visser la tige excentrique (A) à la planche n° 8. Ensuite, utilisez la vis (E) pour fixer les rails coulissants (D-CR, D-CL) à la planche n° 8, comme illustré.



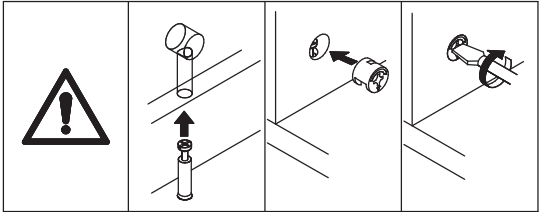
• Please note that the positions of the screws for these two sliding rails are different.

8

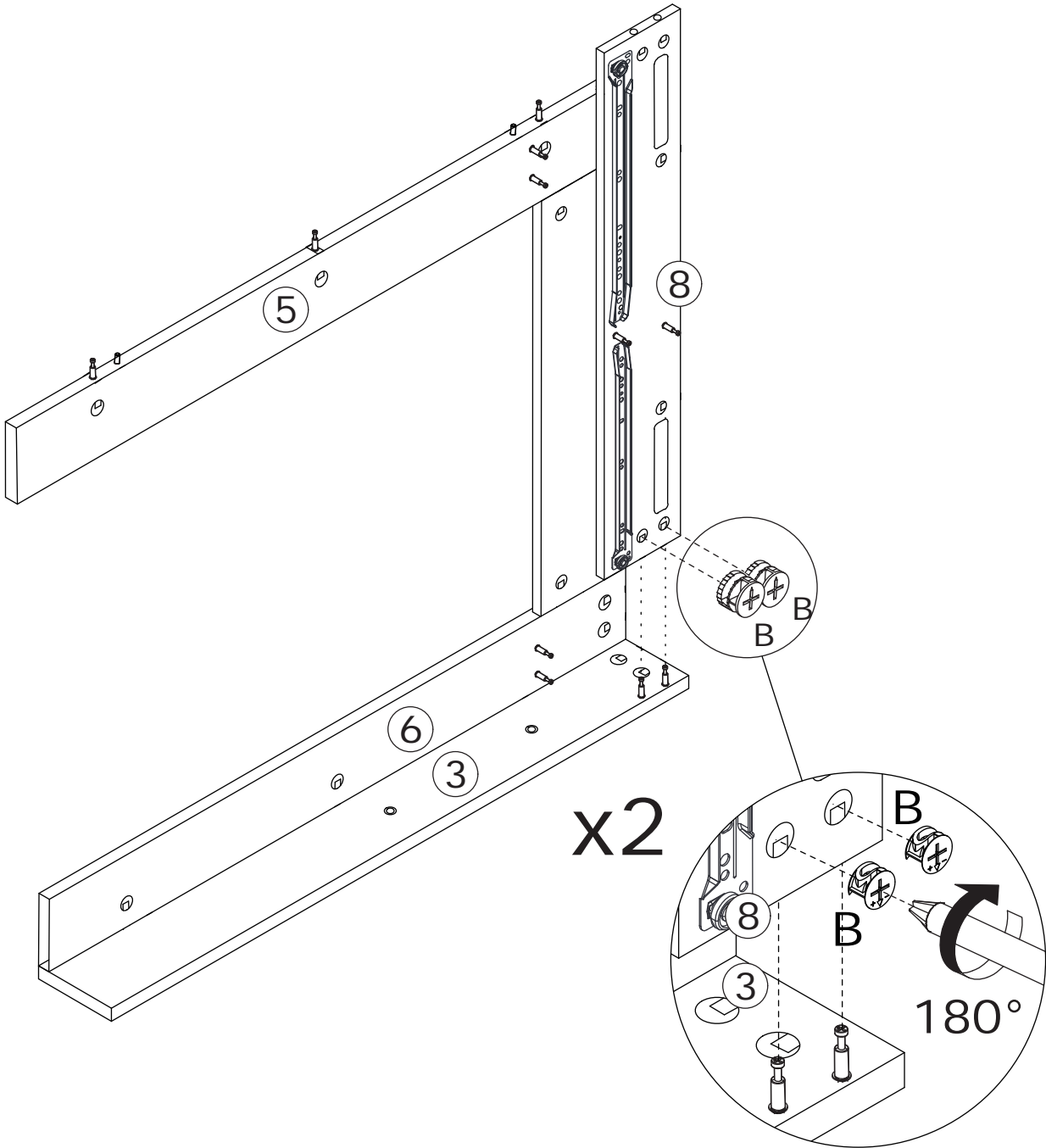
B x 4
Ø 15 x 9.5 mm



Connect Board #8 to Board #3, tighten by turning cam lock (B) clockwise, as shown.

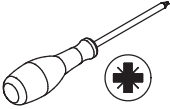


Connectez la carte n° 8 à la carte n° 3, puis serrez en tournant le verrou à came (B) dans le sens horaire, comme illustré.

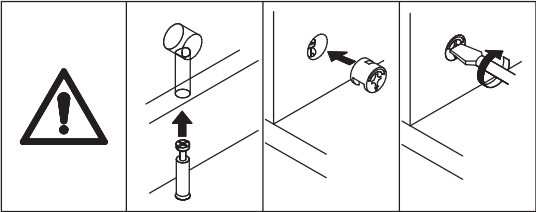


9

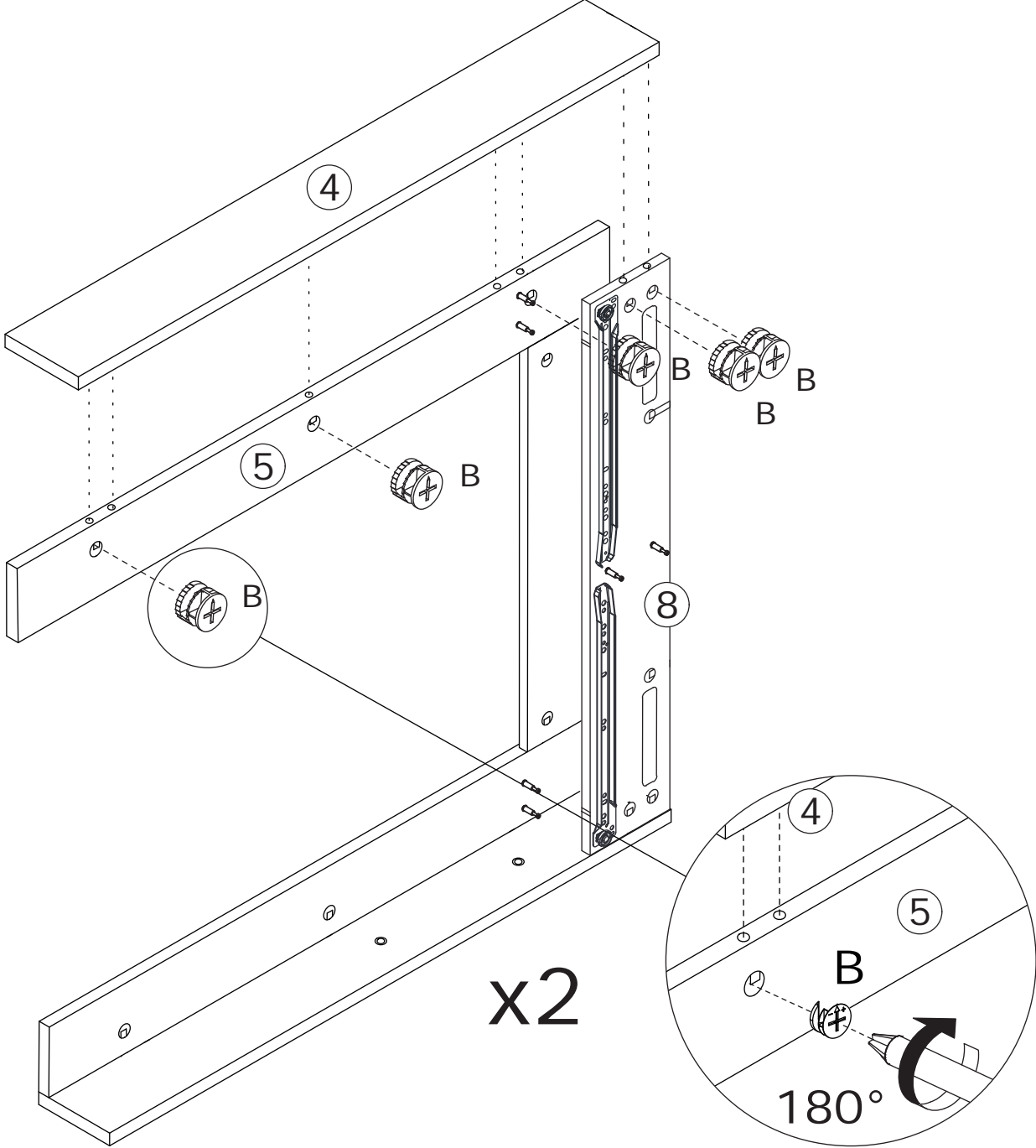
B x 10
Ø 15 x 9.5 mm



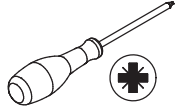
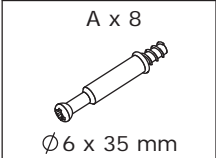
Connect Board #4 to Boards #5 and #8, tighten by turning cam lock (B) clockwise, as shown.



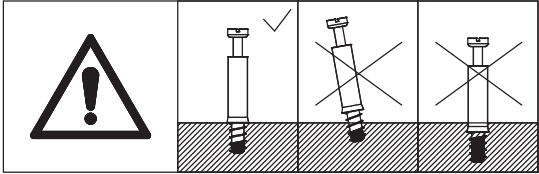
Connectez la planche n° 4 aux planches n° 5 et n° 8, puis serrez en tournant le verrou à came (B) dans le sens des aiguilles d'une montre, comme illustré.



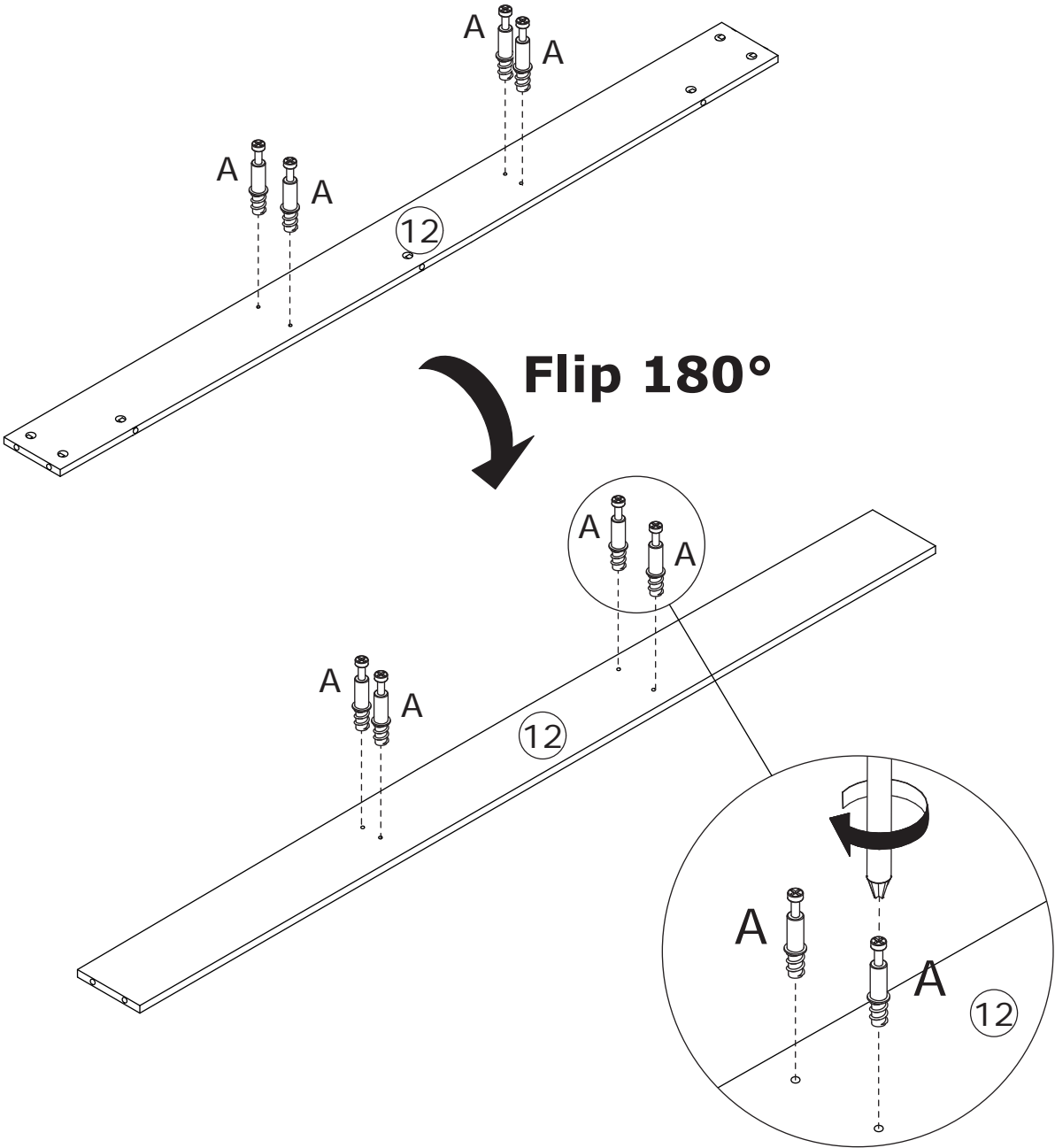
10



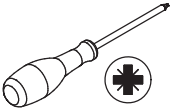
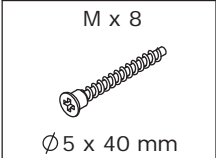
Screw eccentric rod (A) to Board #12,
as shown.



Vissez la tige excentrique (A) à la
planche n° 12, comme illustré.

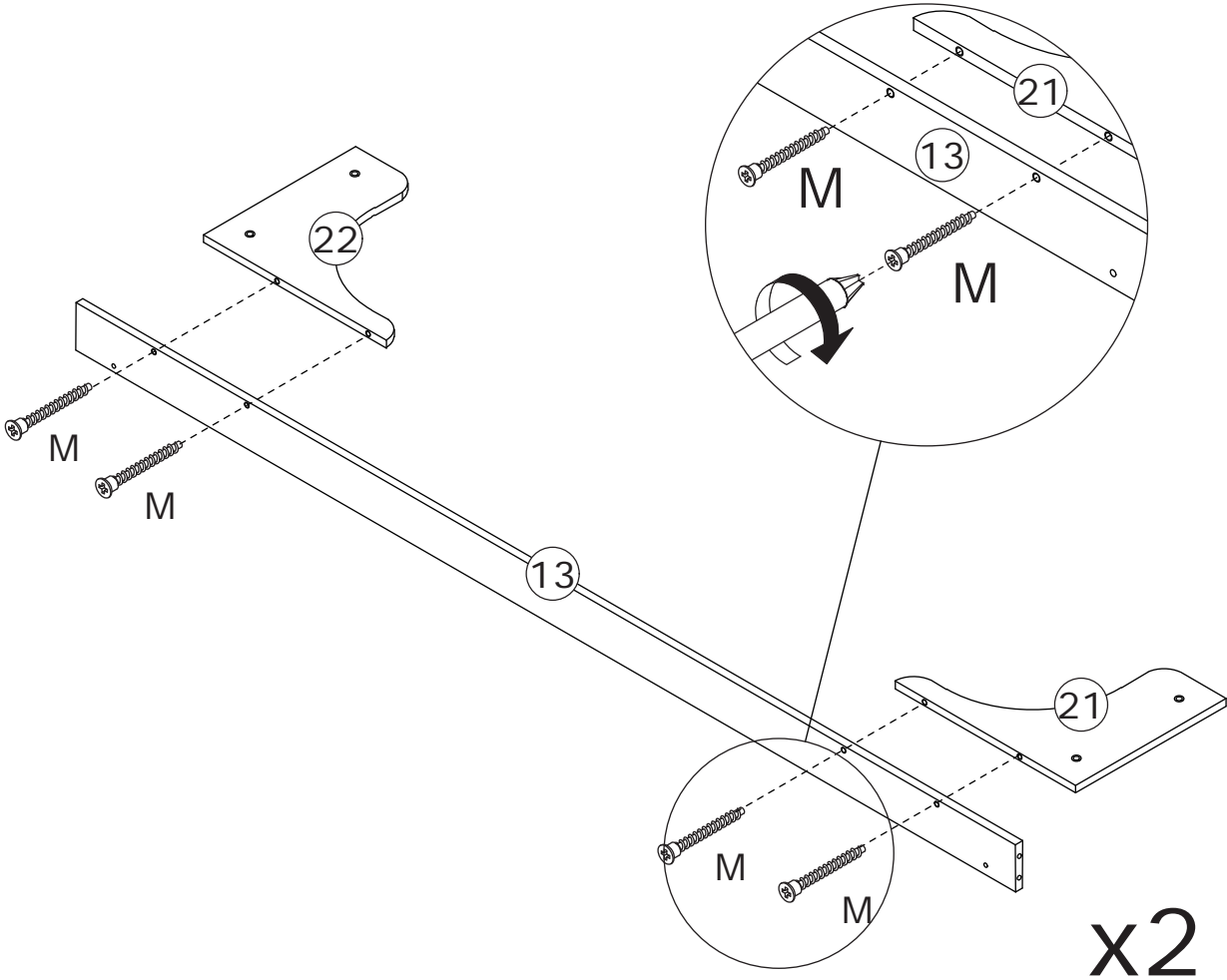


11



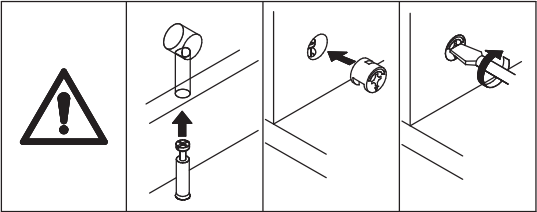
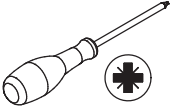
Use screws (M) to secure Board #13 to Boards #21 and #22, as shown.

Utilisez des vis (M) pour fixer la planche n° 13 aux planches n° 21 et n° 22, comme illustré.



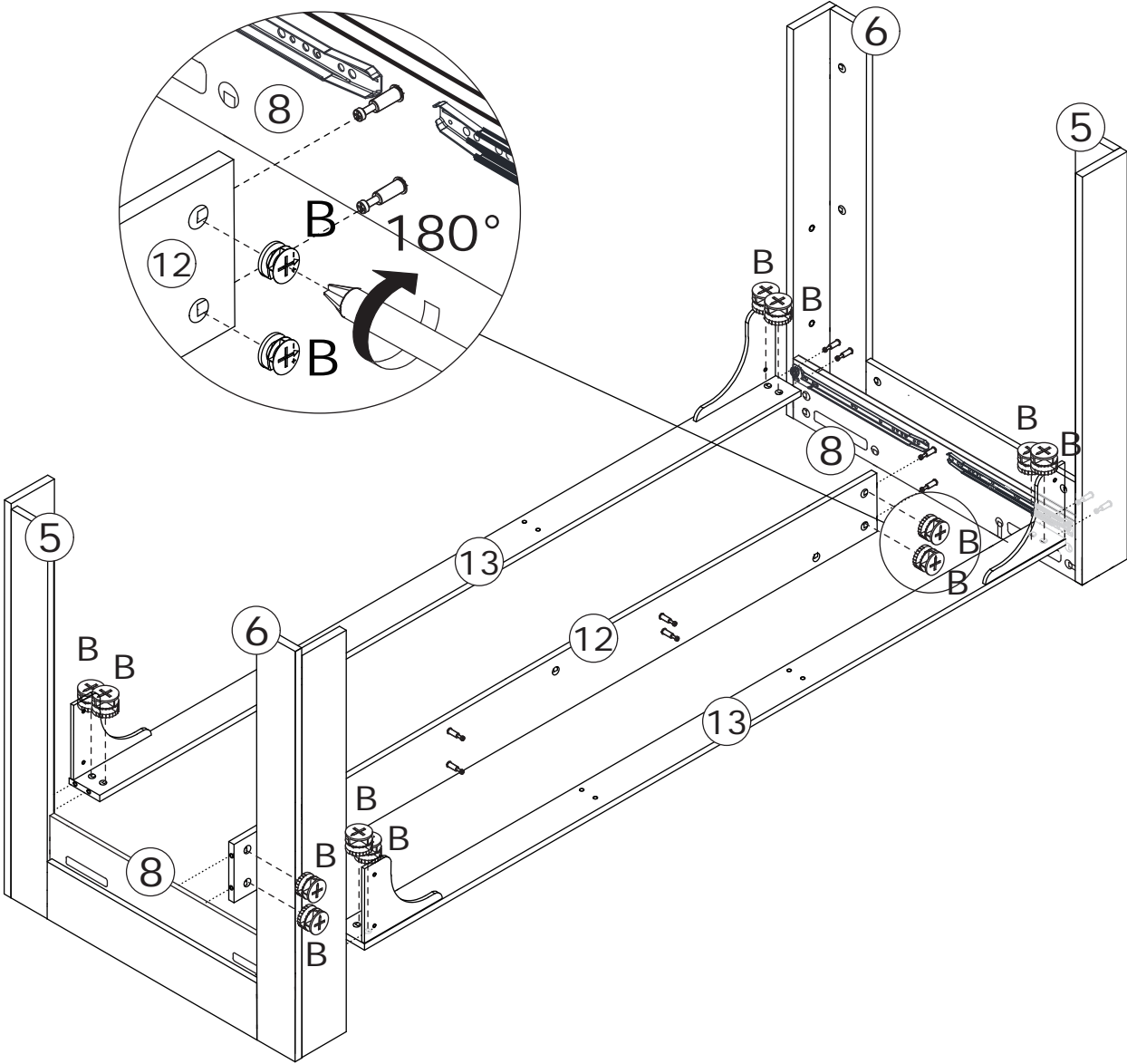
12

B x 12
Ø 15 x 9.5 mm

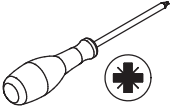
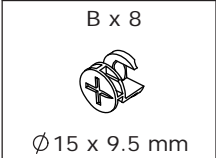


Connect Boards #13, #12 to Boards #8, #5, and #6, tighten by turning cam lock (B) clockwise, as shown.

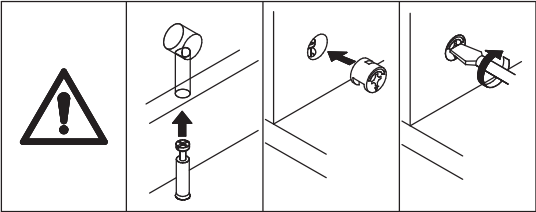
Reliez les panneaux n° 13 et n° 12 aux panneaux n° 8, n° 5 et n° 6, puis serrez en tournant le verrou à came (B) dans le sens horaire, comme illustré.



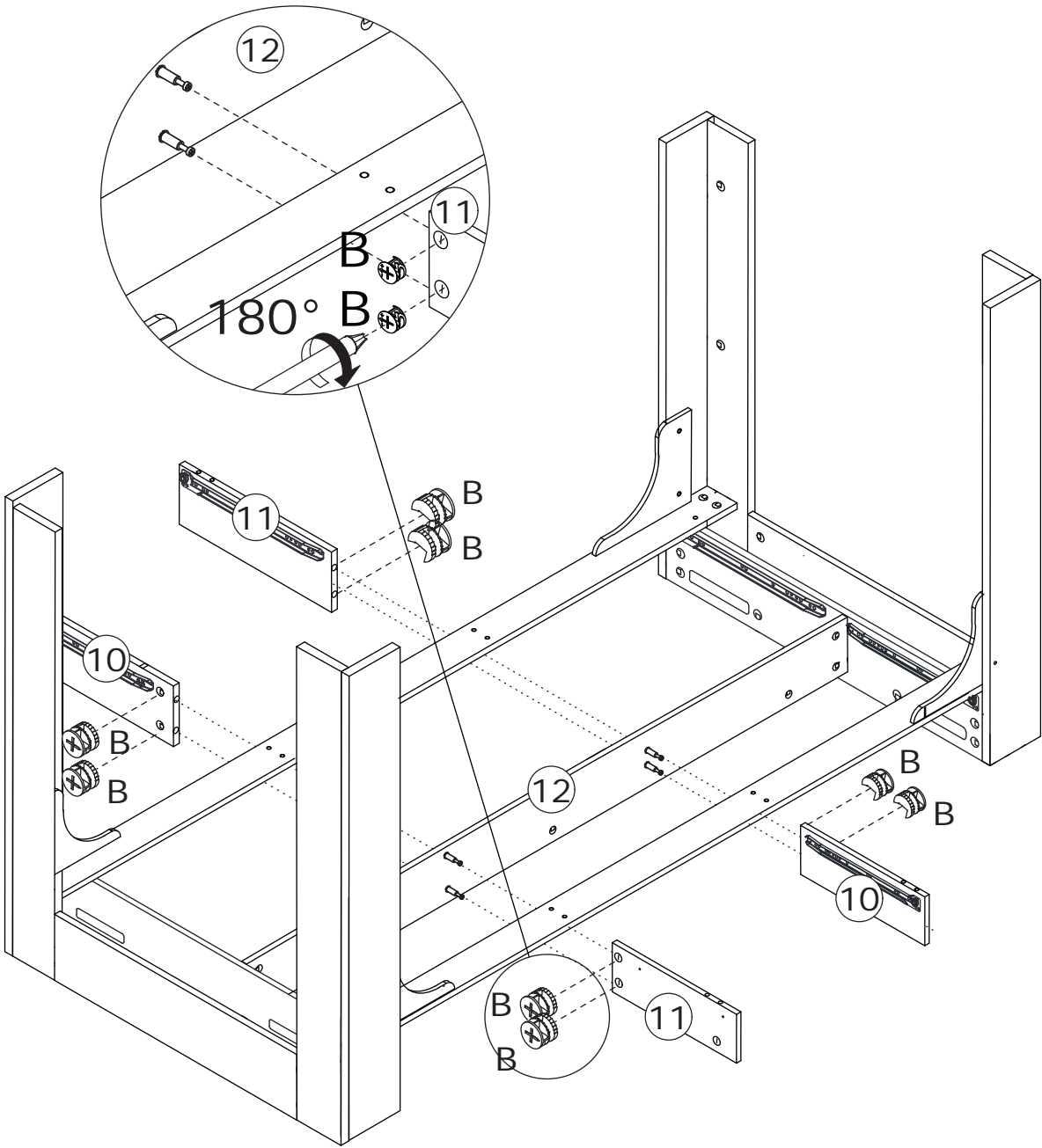
13



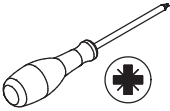
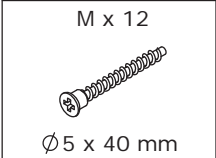
Connect Boards #10, #11 to Board #12, tighten by turning cam lock (B) clockwise, as shown.



Reliez les panneaux n° 10 et n° 11 au panneau n° 12, puis serrez en tournant le verrou à came (B) dans le sens horaire, comme illustré.

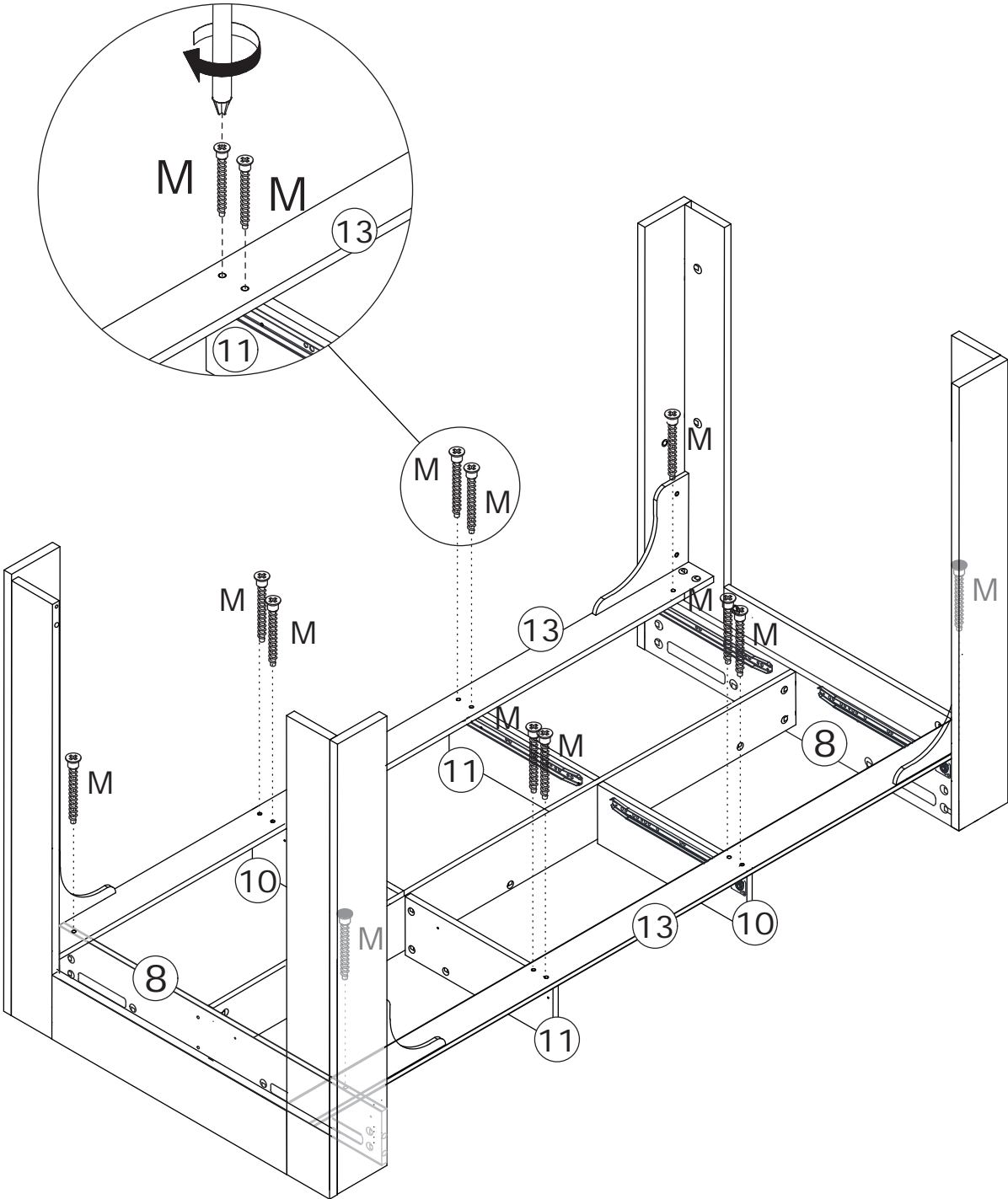


14

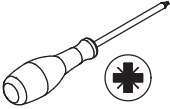
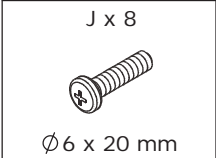


Use screw (M) to secure Board #13 to Boards #10 and #11, as shown.

Utilisez la vis (M) pour fixer la planche n° 13 aux planches n° 10 et n° 11, comme illustré.

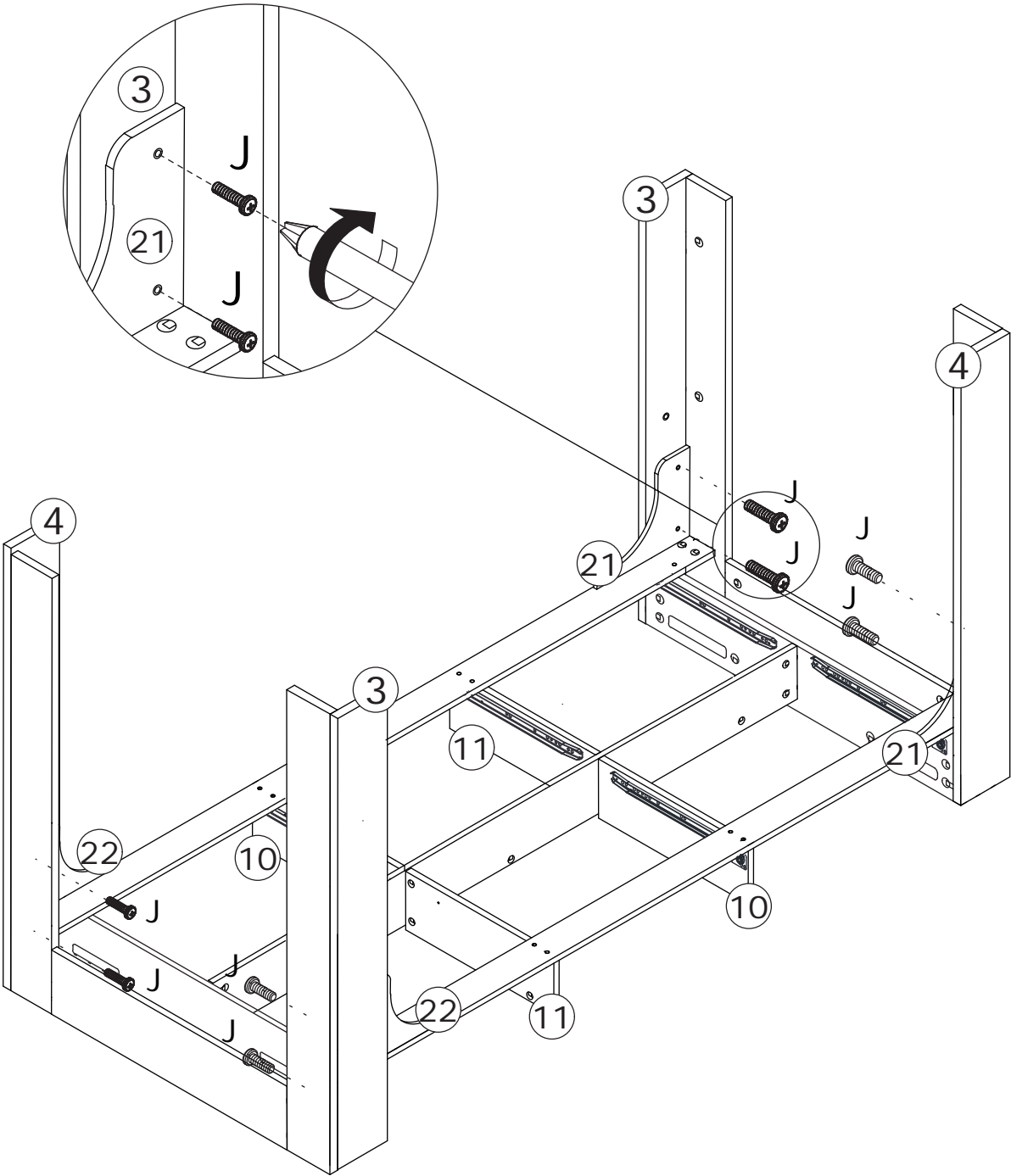


15

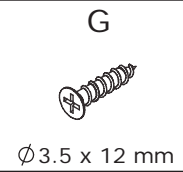
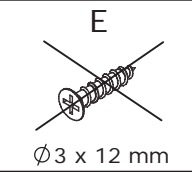
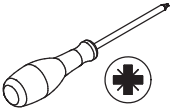
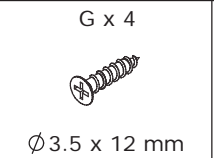
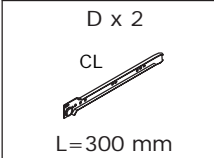


Use screw (J) to secure Boards #21 and #22 to Boards #3 and #4, as shown.

Utilisez la vis (J) pour fixer les planches n° 21 et n° 22 aux planches n° 3 et n° 4, comme illustré.

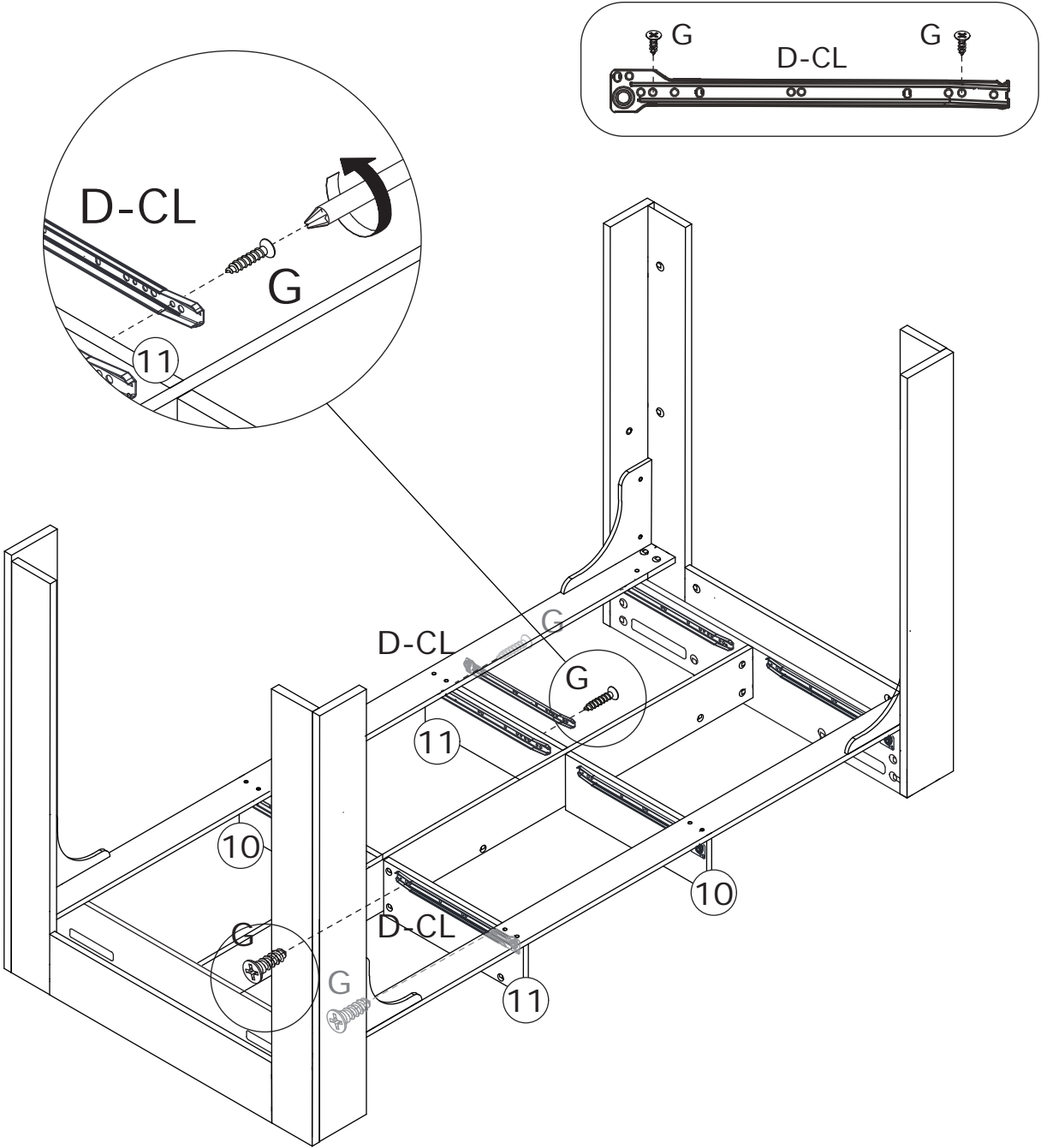


16

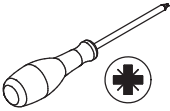
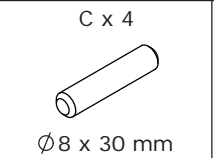
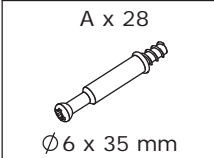


Comme illustré, utilisez la vis (G) pour fixer le rail couissant (D-CL) à la carte n° 11.

As shown, use screw (G) to secure the slide rail (D-CL) to Board #11.

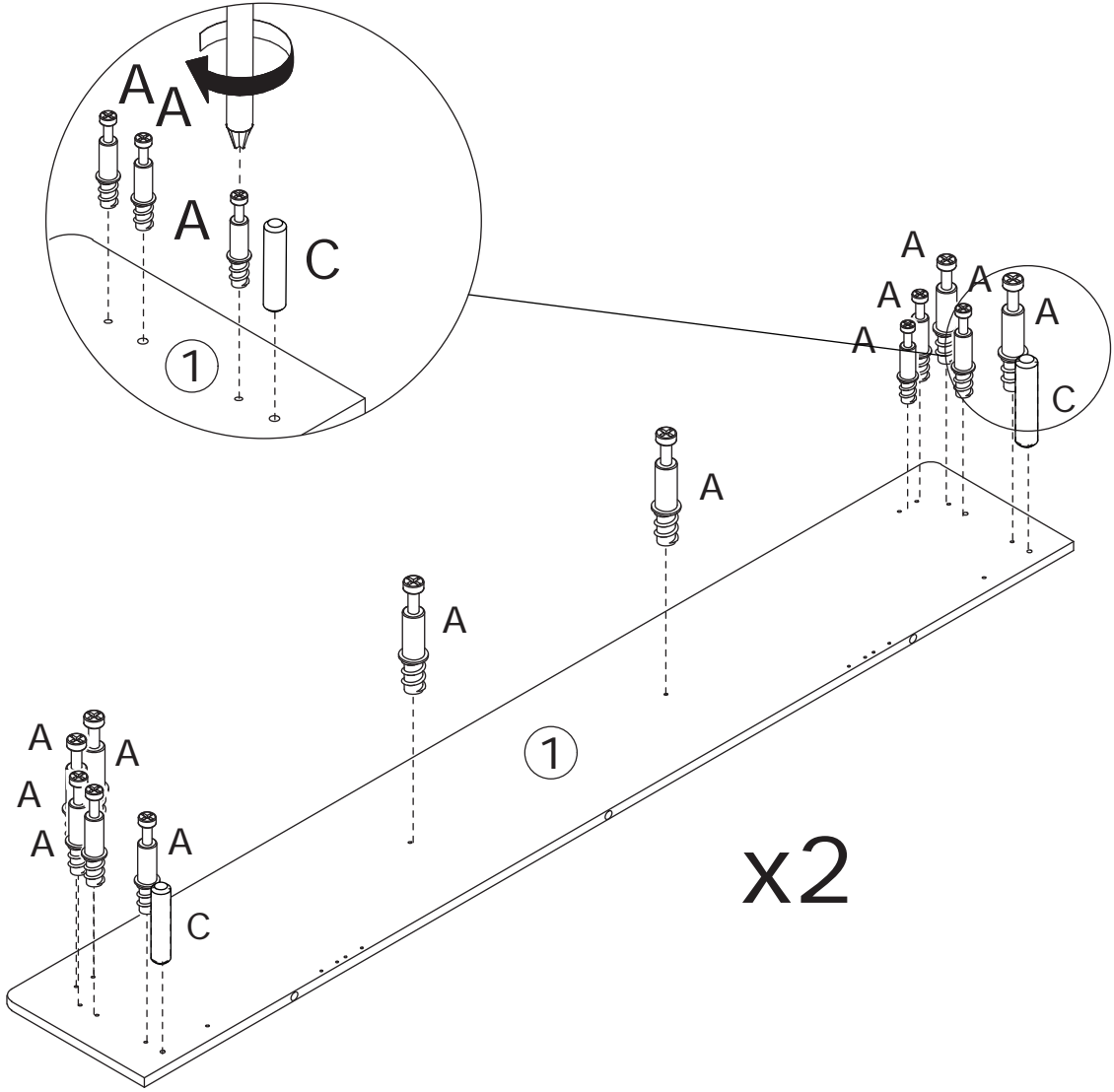
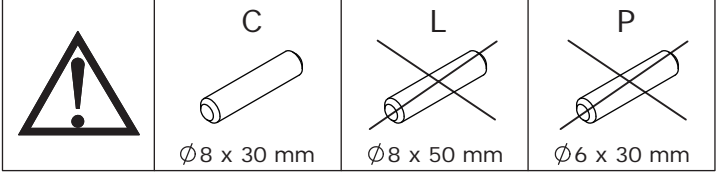
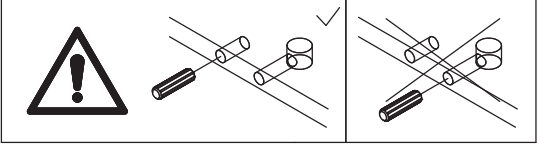
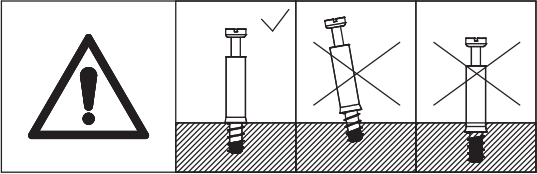


17

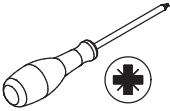
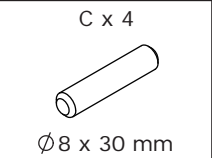
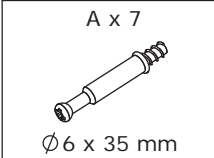


Screw eccentric rod (A) and insert dowel (C) to Board #1, as shown.

Vissez la tige excentrique (A) et insérez la cheville (C) dans la planche n° 1, comme illustré.

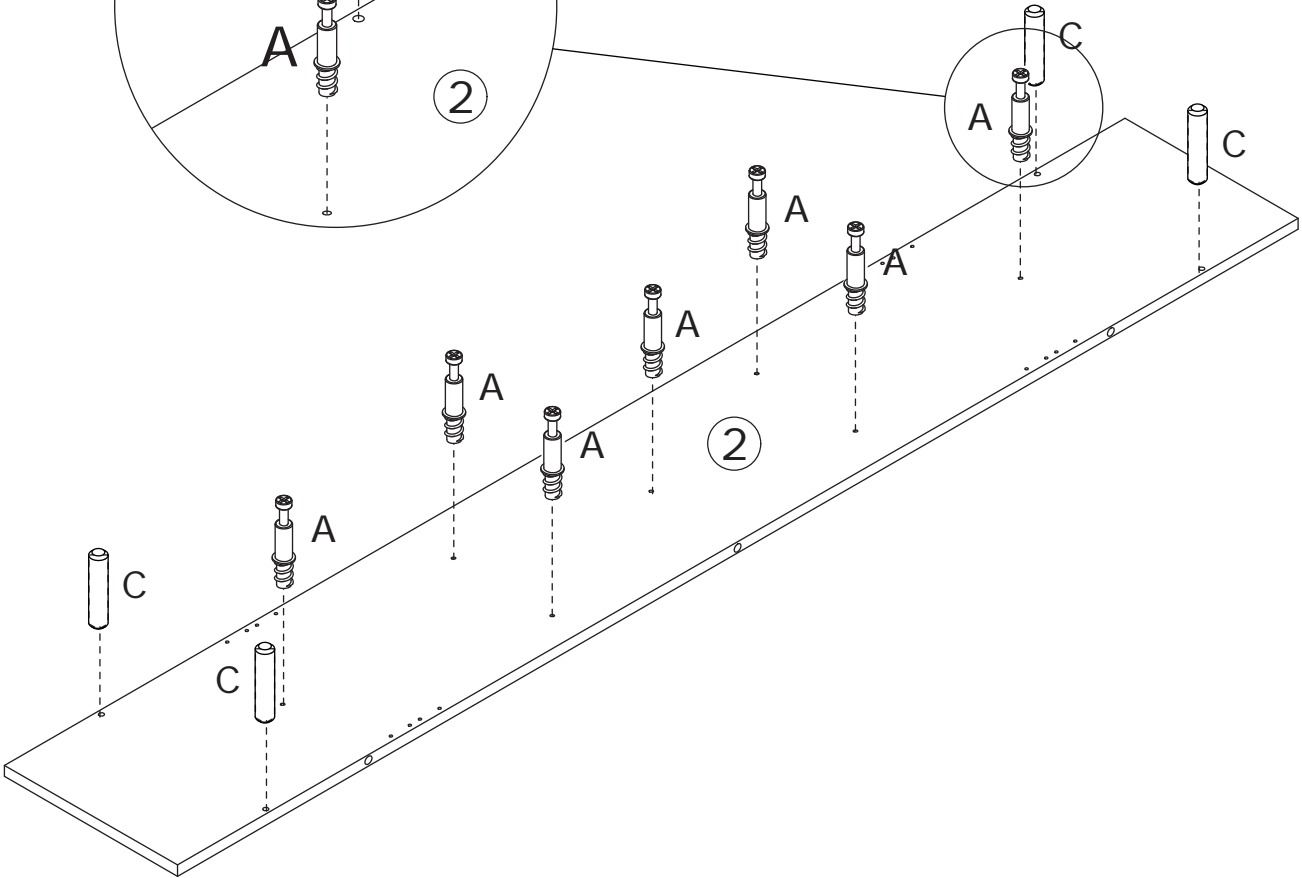
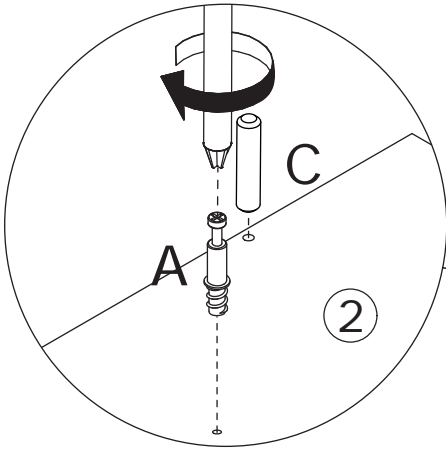
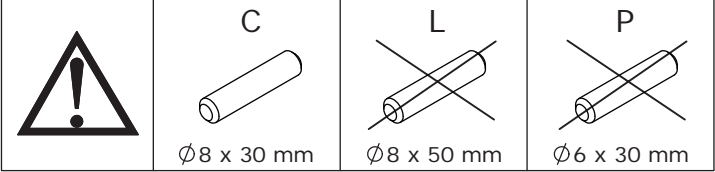
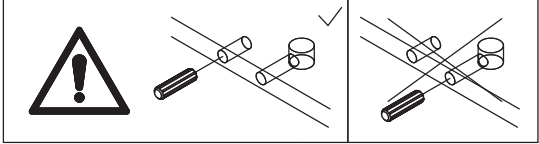
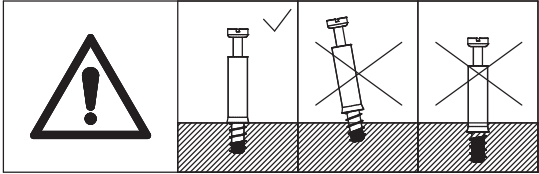


18

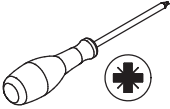
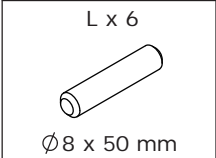


Screw eccentric rod (A) and insert dowel (C) to Board #2, as shown.

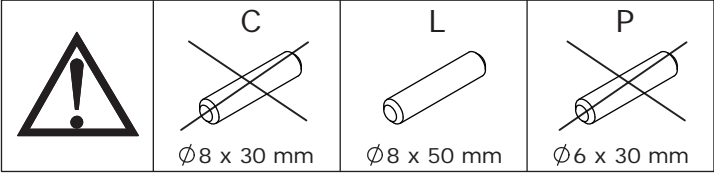
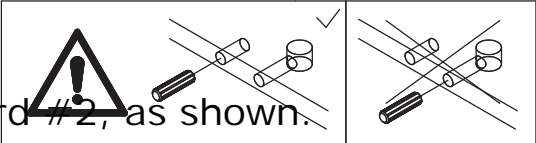
Vissez la tige excentrique (A) et insérez la cheville (C) dans la planche n° 2, comme illustré.



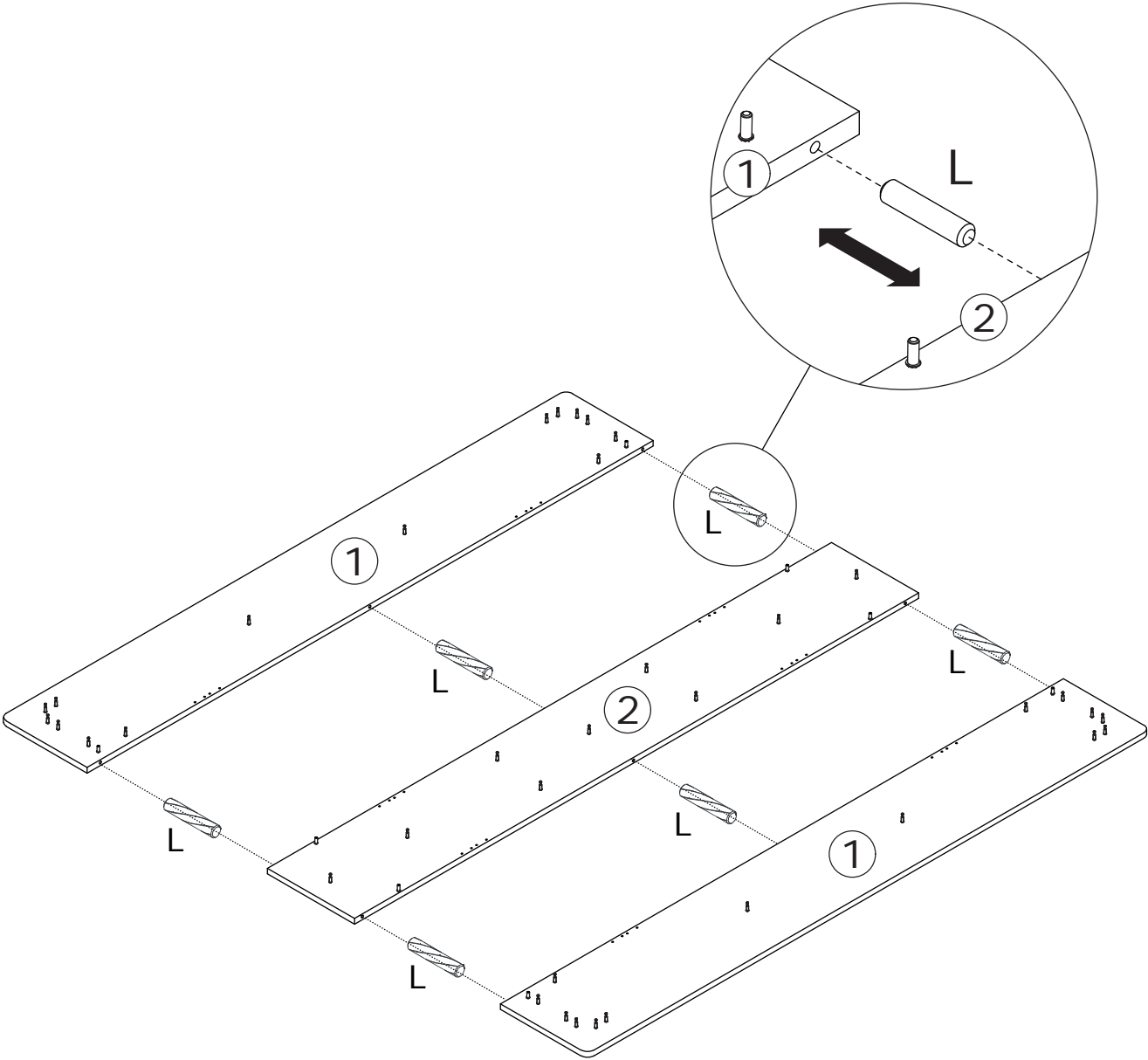
19



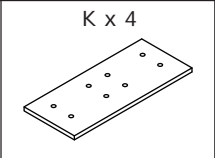
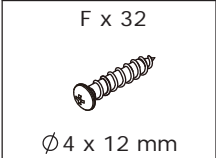
Use dowel (L) to connect Board #1 to Board #2, as shown.



Utilisez une cheville (L) pour relier la planche n° 1 à la planche n° 2, comme illustré.

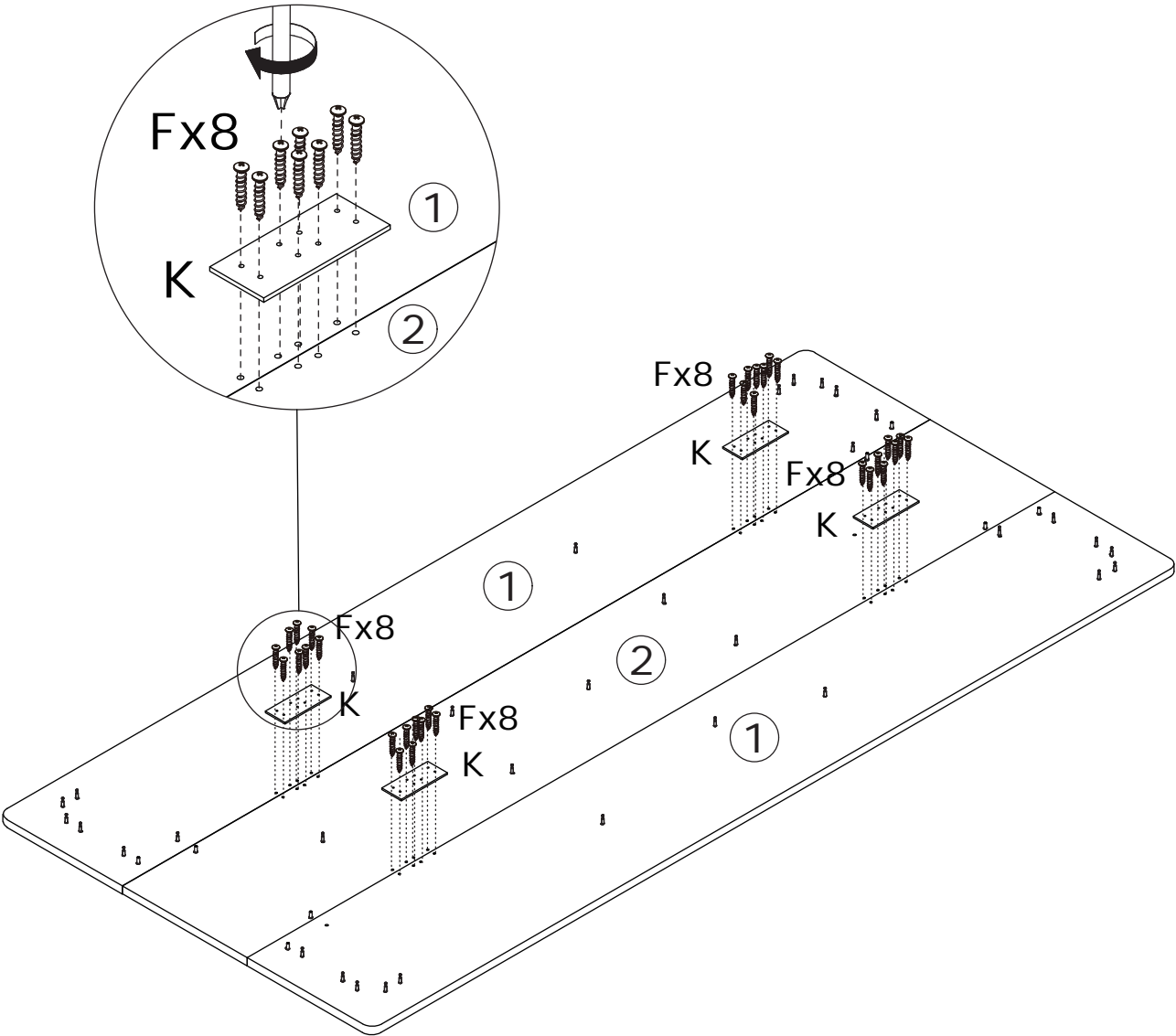


20



Use screw (F) to secure the metal fitting (K) to Boards #1 and #2, as shown.

Utilisez la vis (F) pour fixer le raccord métallique (K) aux panneaux n° 1 et n° 2, comme illustré.

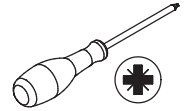


21

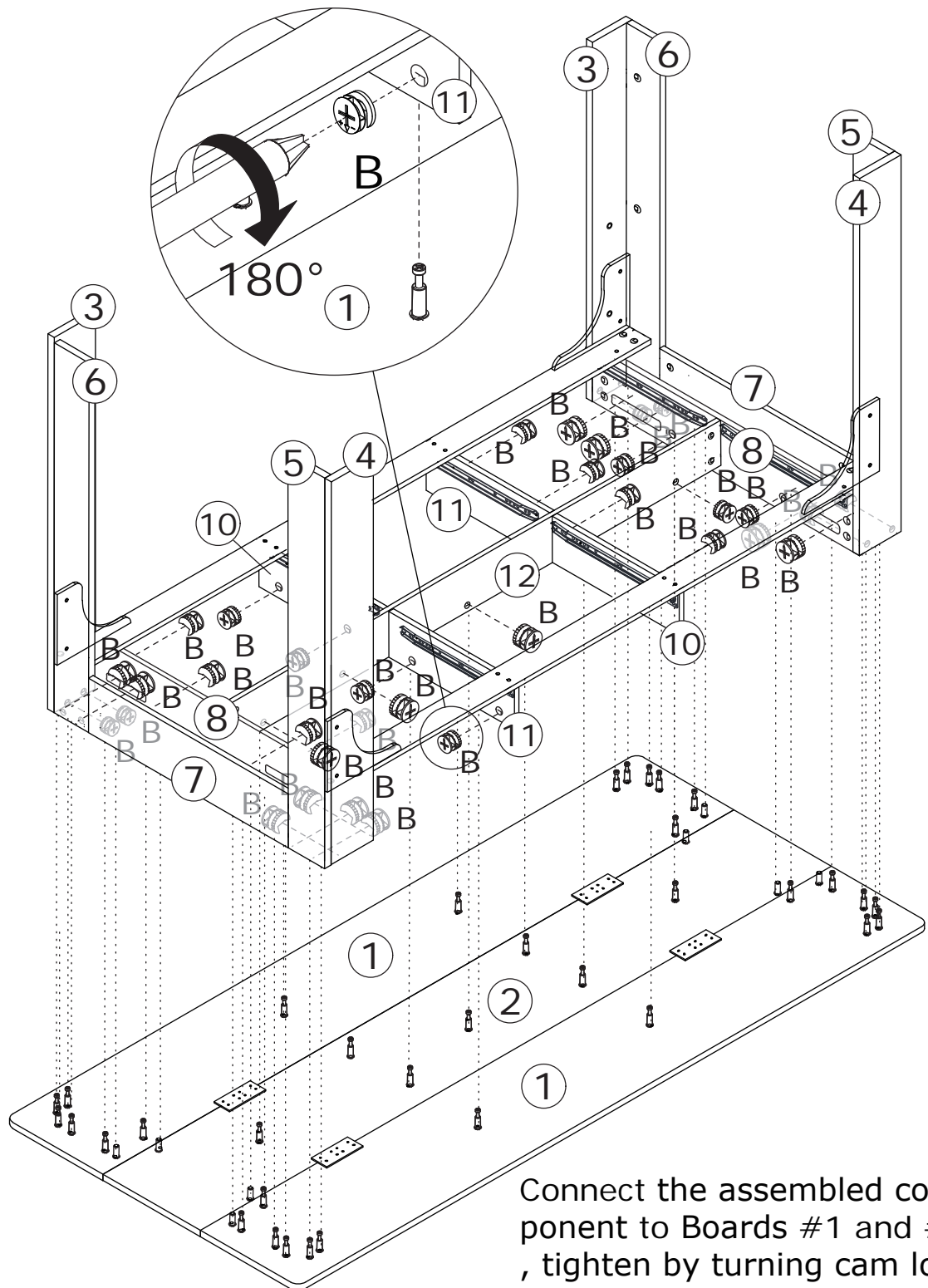
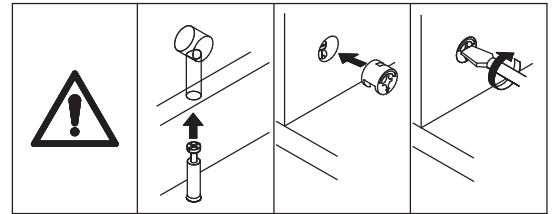
B x 35



Ø 15 x 9.5 mm

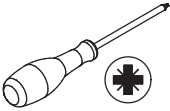
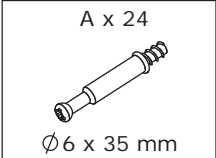


Connectez le composant assemblé aux cartes n° 1 et n° 2, puis serrez en tournant le verrou à came (B) dans le sens horaire, comme illustré.

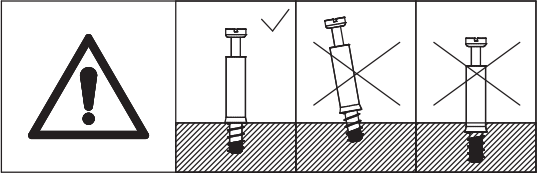


Connect the assembled component to Boards #1 and #2, tighten by turning cam lock (B) clockwise, as shown.

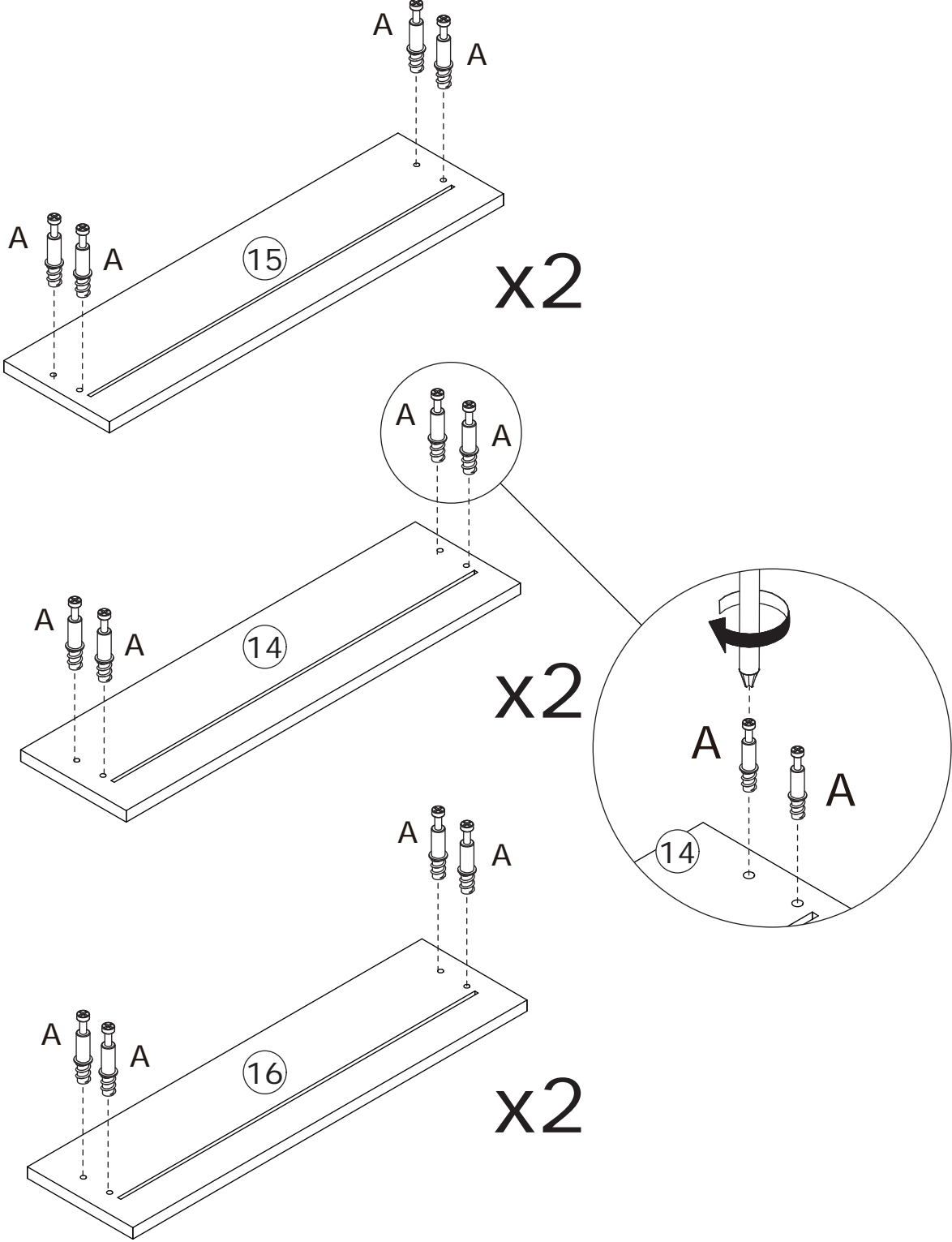
22



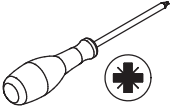
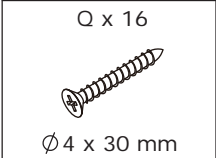
Vissez la tige excentrique (A) aux planches n° 14, n° 15 et n° 16, comme illustré.



Screw eccentric rod (A) to Boards #14, #15, and #16, as shown.

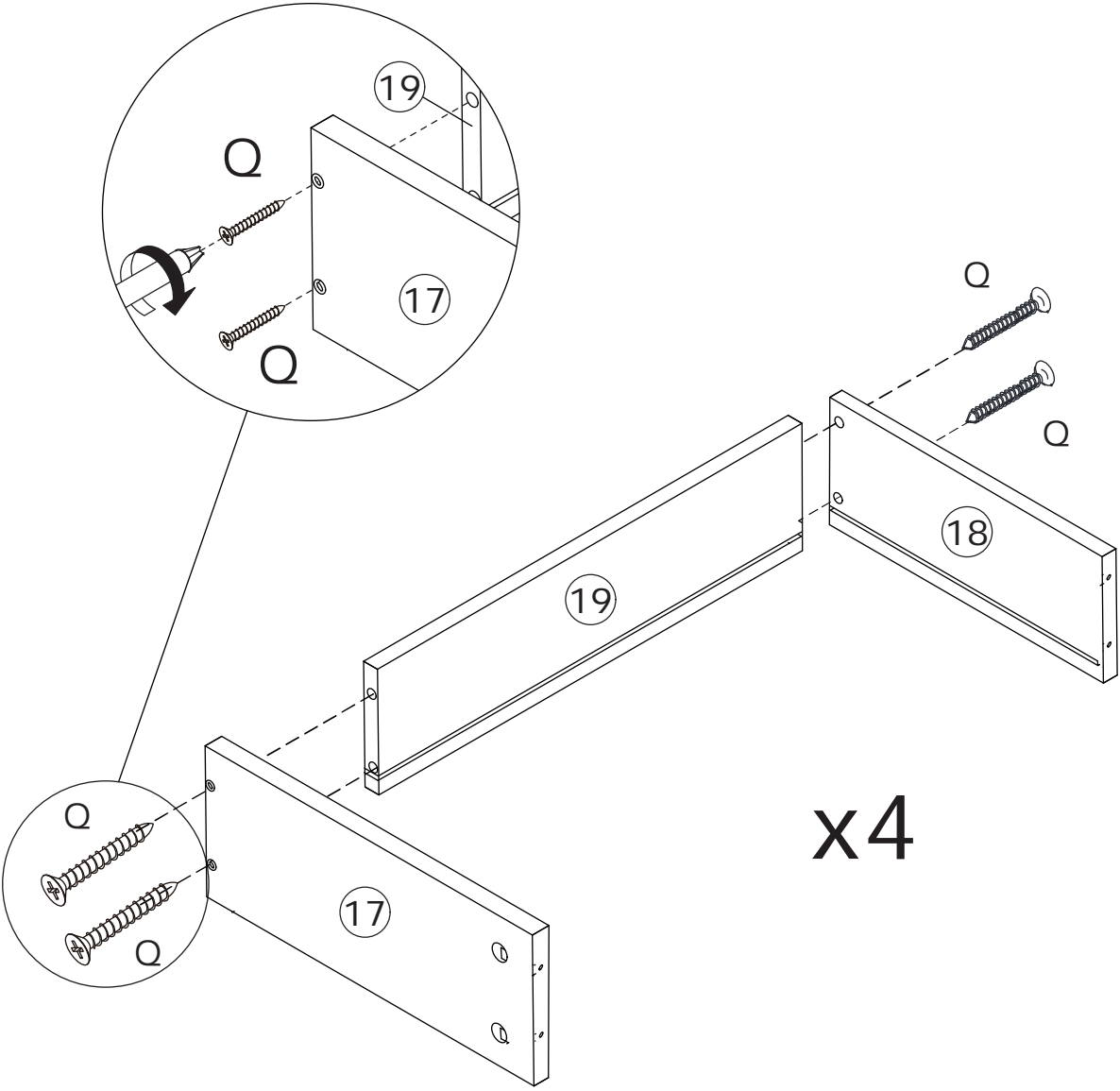


23

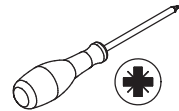
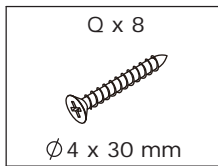


Utilisez la vis (Q) pour fixer la planche n° 19 aux planches n° 17 et n° 18, comme illustré.

Use screw (Q) to secure Board #19 to Boards #17 and #18, as shown.

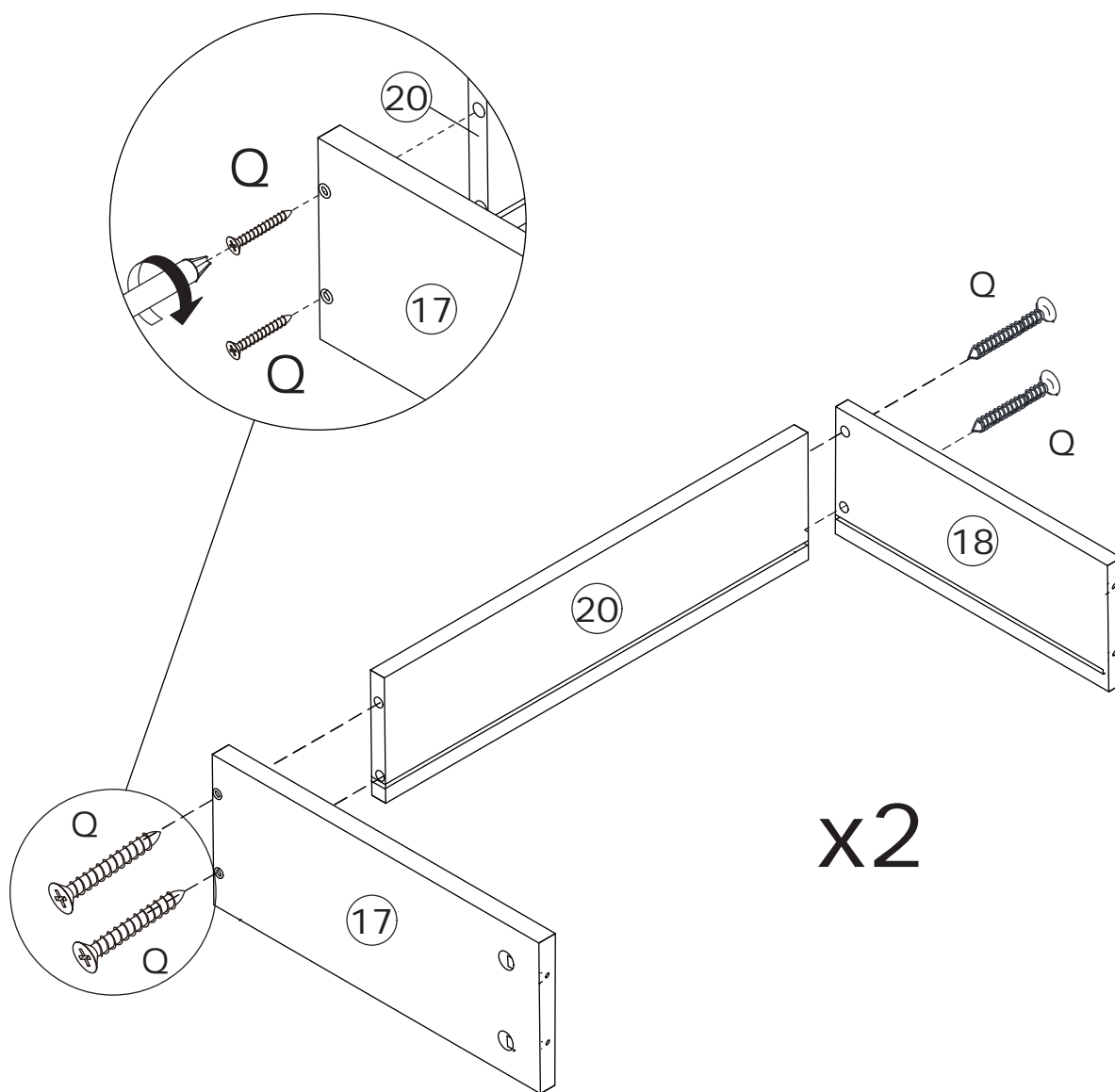


24



Utilisez la vis (Q) pour fixer la planche n° 20 aux planches n° 17 et n° 18, comme illustré.

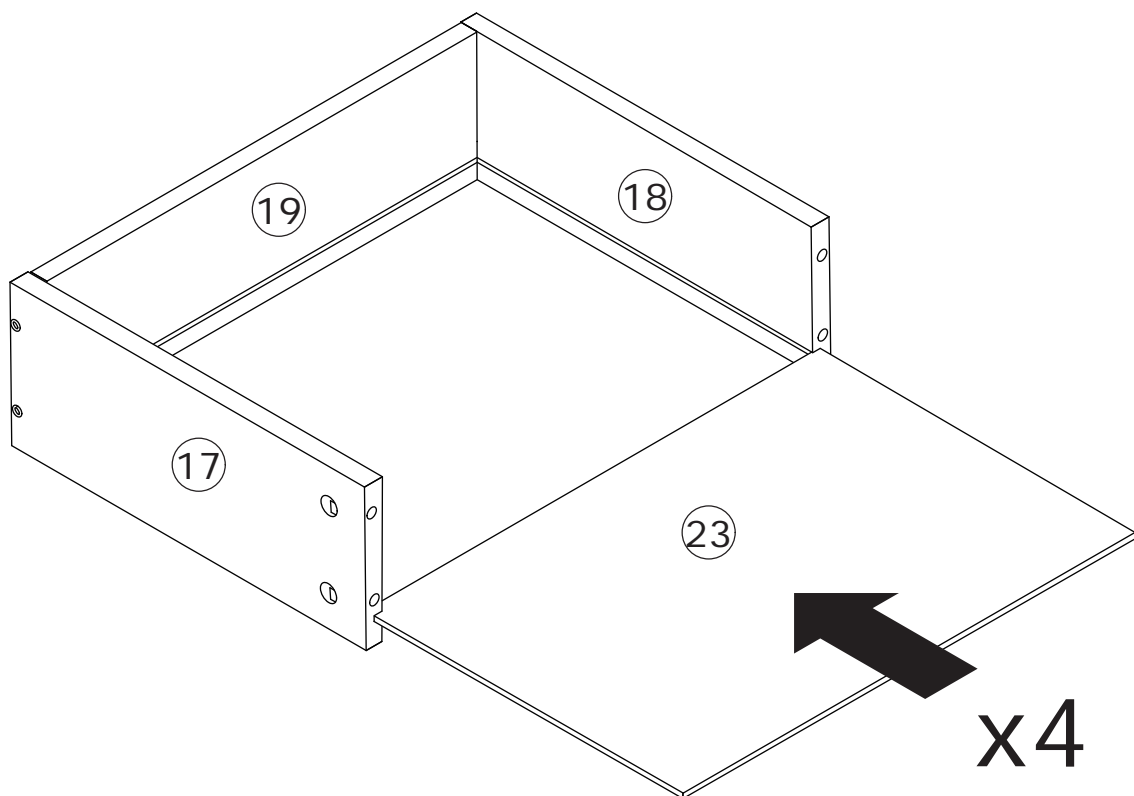
Use screw (Q) to secure Board #20 to Boards #17 and #18, as shown.



25

Insert the bottom Board #23 along the grooves, as shown.

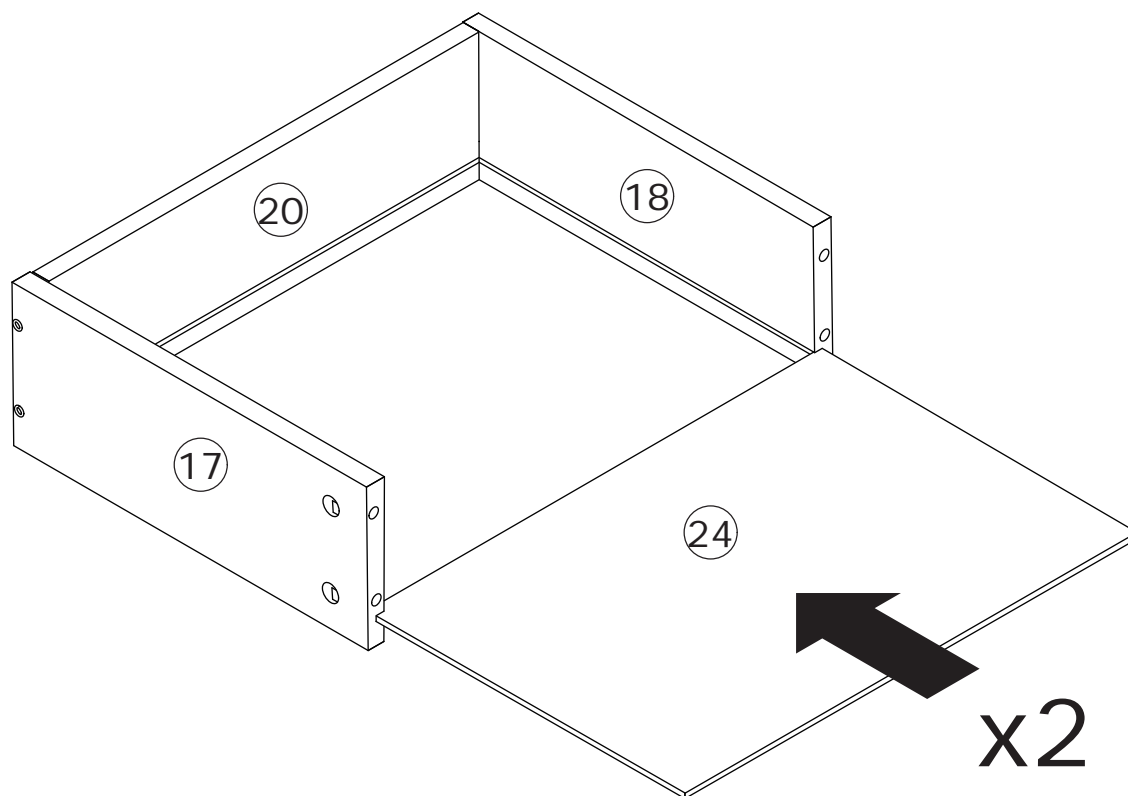
Insérez la planche inférieure n° 23 dans les rainures, comme indiqué.



26

Insert the bottom Board #24
along the grooves, as shown.

Insérez la planche inférieure n° 24 dans
les rainures, comme indiqué.

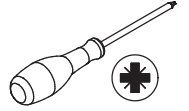


27

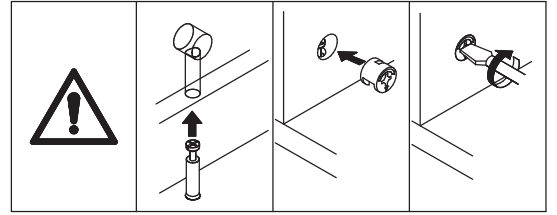
B x 8



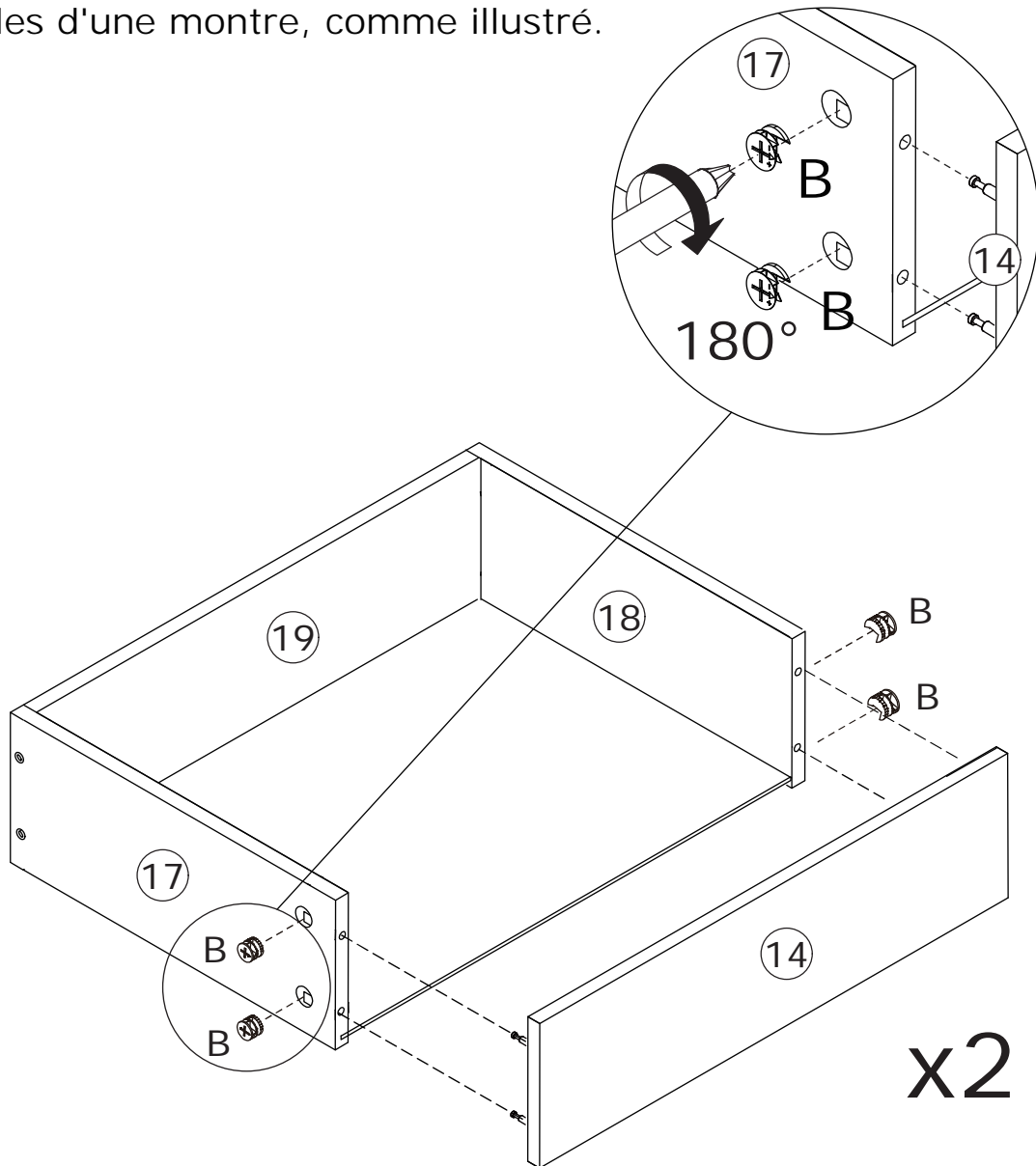
Ø 15 x 9.5 mm



Connect Board #14 to Boards #17 and #18, tighten by turning cam lock (B) clockwise, as shown.



Reliez la planche n° 14 aux planches n° 17 et n° 18, puis serrez en tournant le verrou à came (B) dans le sens des aiguilles d'une montre, comme illustré.

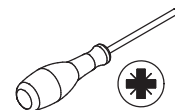


28

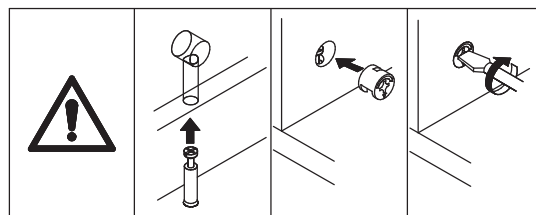
B x 8



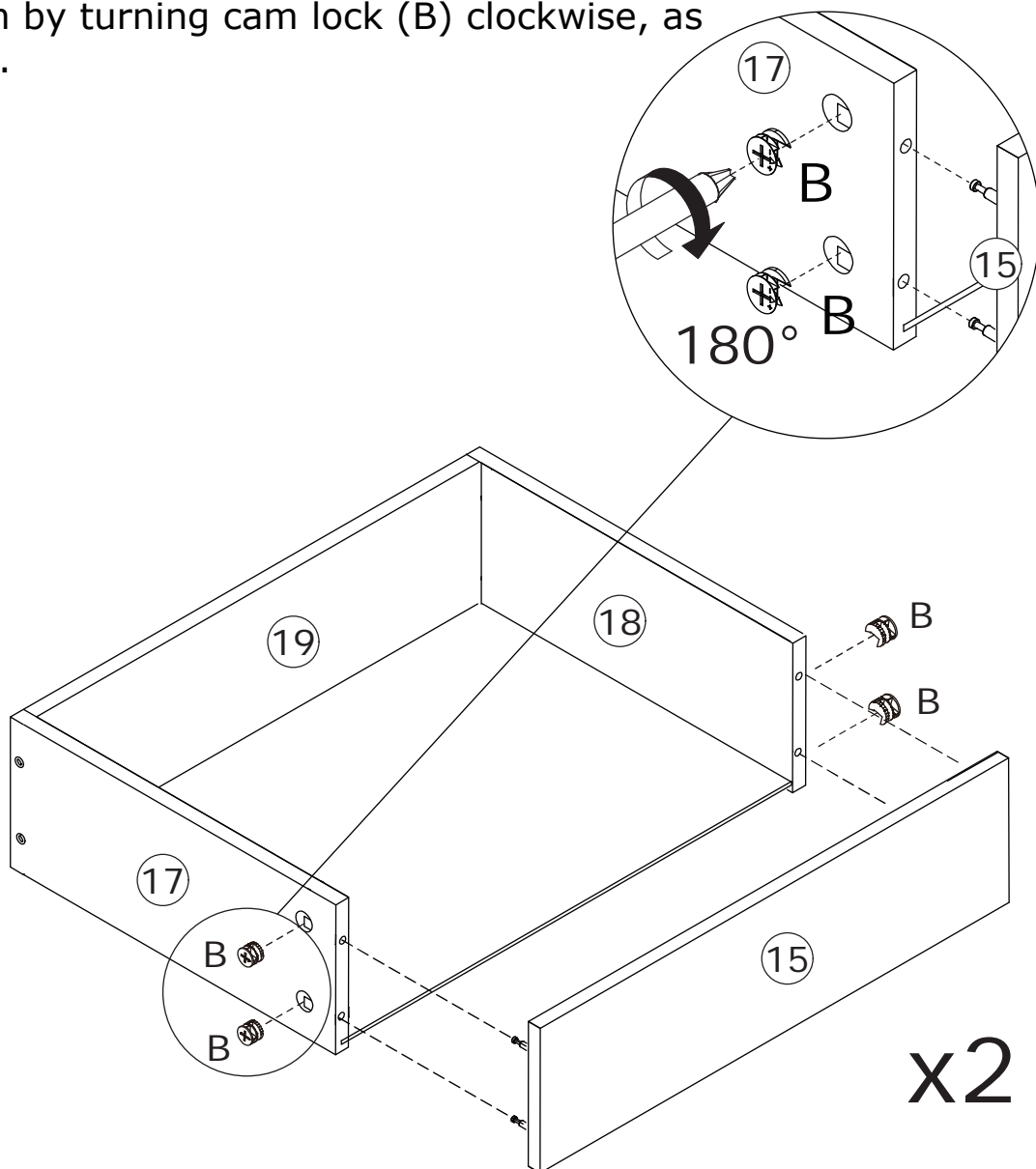
Ø 15 x 9.5 mm



Connectez la planche n° 15 aux planches n° 17 et n° 18, puis serrez en tournant le verrou à came (B) dans le sens des aiguilles d'une montre, comme illustré.

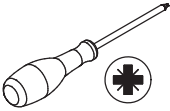


Connect Board #15 to Boards #17 and #18, tighten by turning cam lock (B) clockwise, as shown.

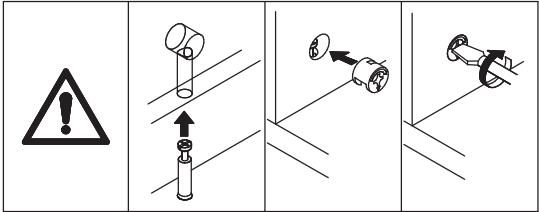


29

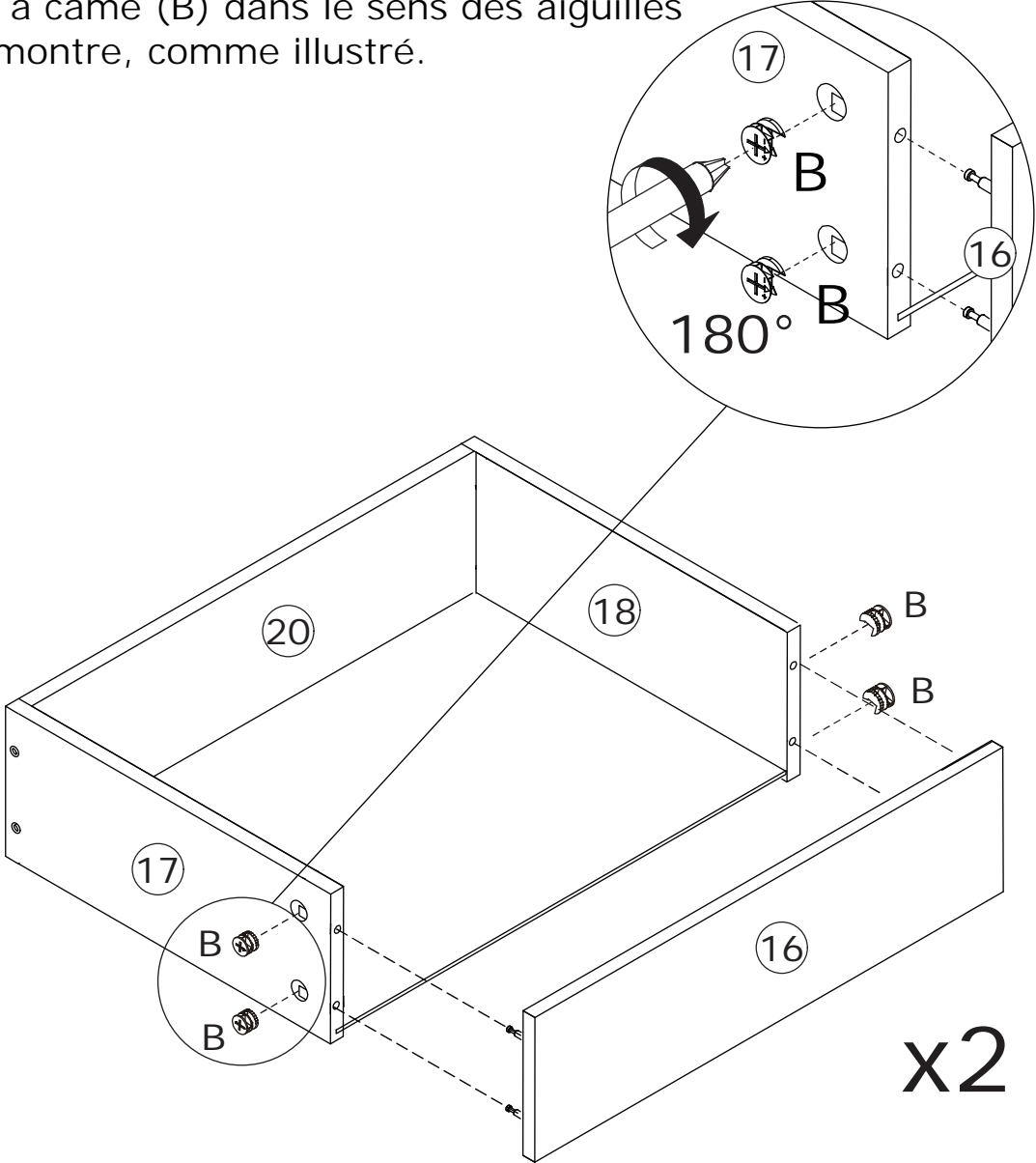
B x 8
Ø 15 x 9.5 mm



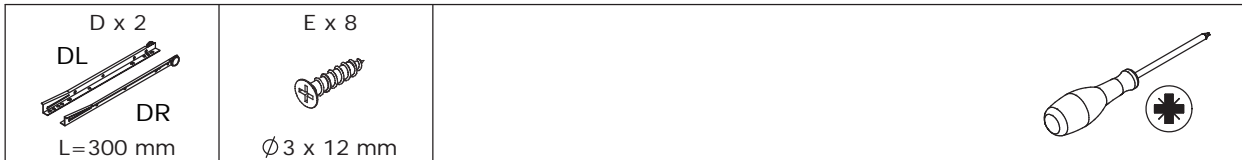
Connect Board #16 to Boards #17 and #18, tighten by turning cam lock (B) clockwise, as shown.



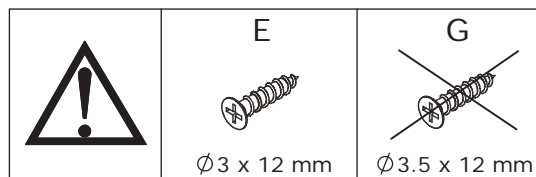
Connectez la planche n° 16 aux planches n° 17 et n° 18, puis serrez en tournant le verrou à came (B) dans le sens des aiguilles d'une montre, comme illustré.



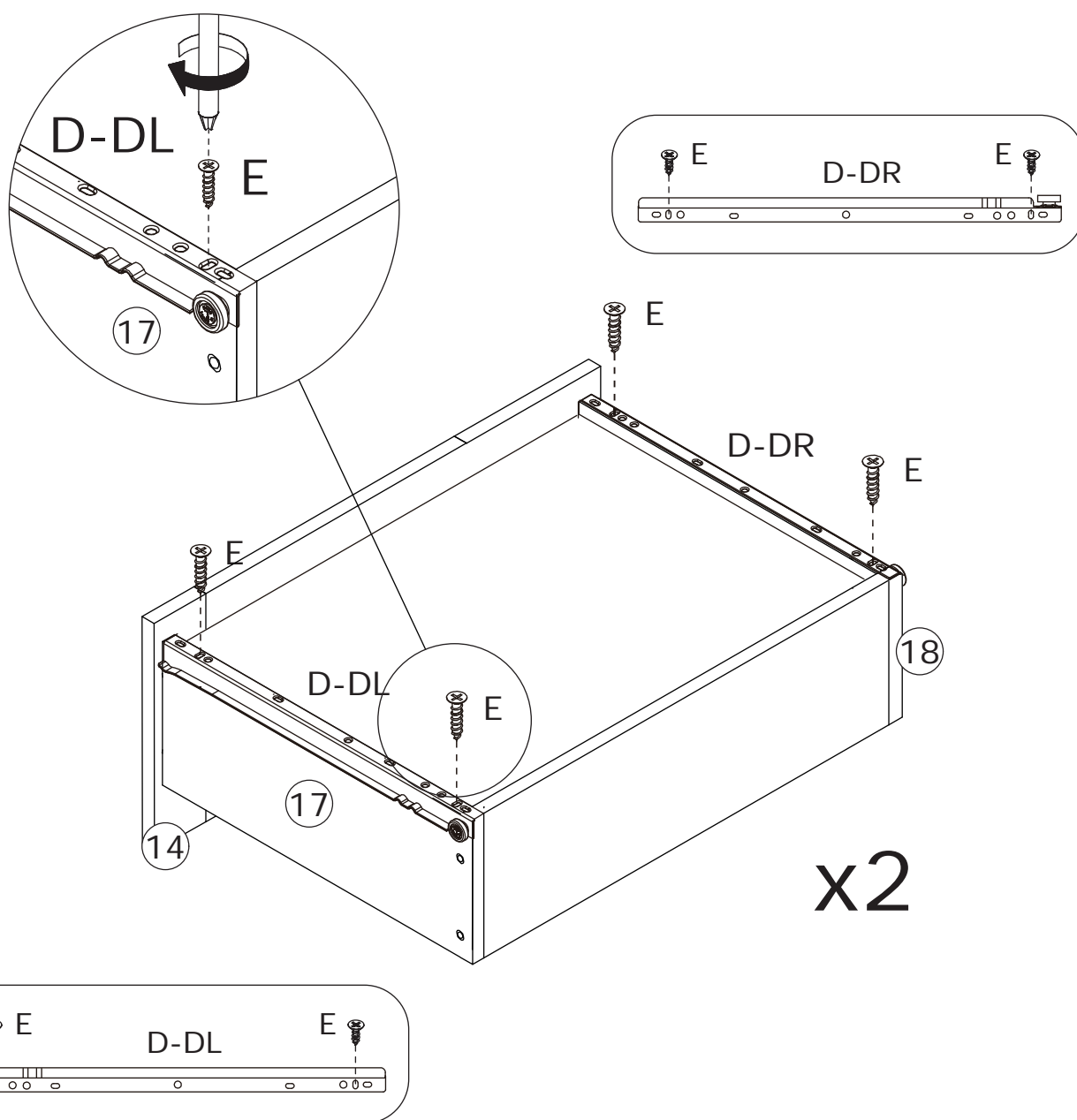
30



Comme illustré, utilisez la vis (E) pour fixer les glissières (D-DL, D-DR) aux panneaux n° 17 et n° 18 respectivement.



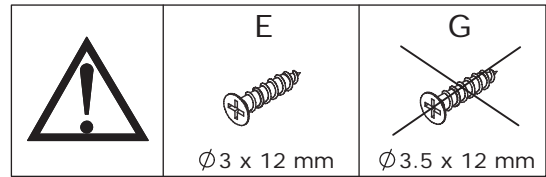
As shown, use screw (E) to secure the slide rails (D-DL, D-DR) to Boards #17 and #18 respectively.



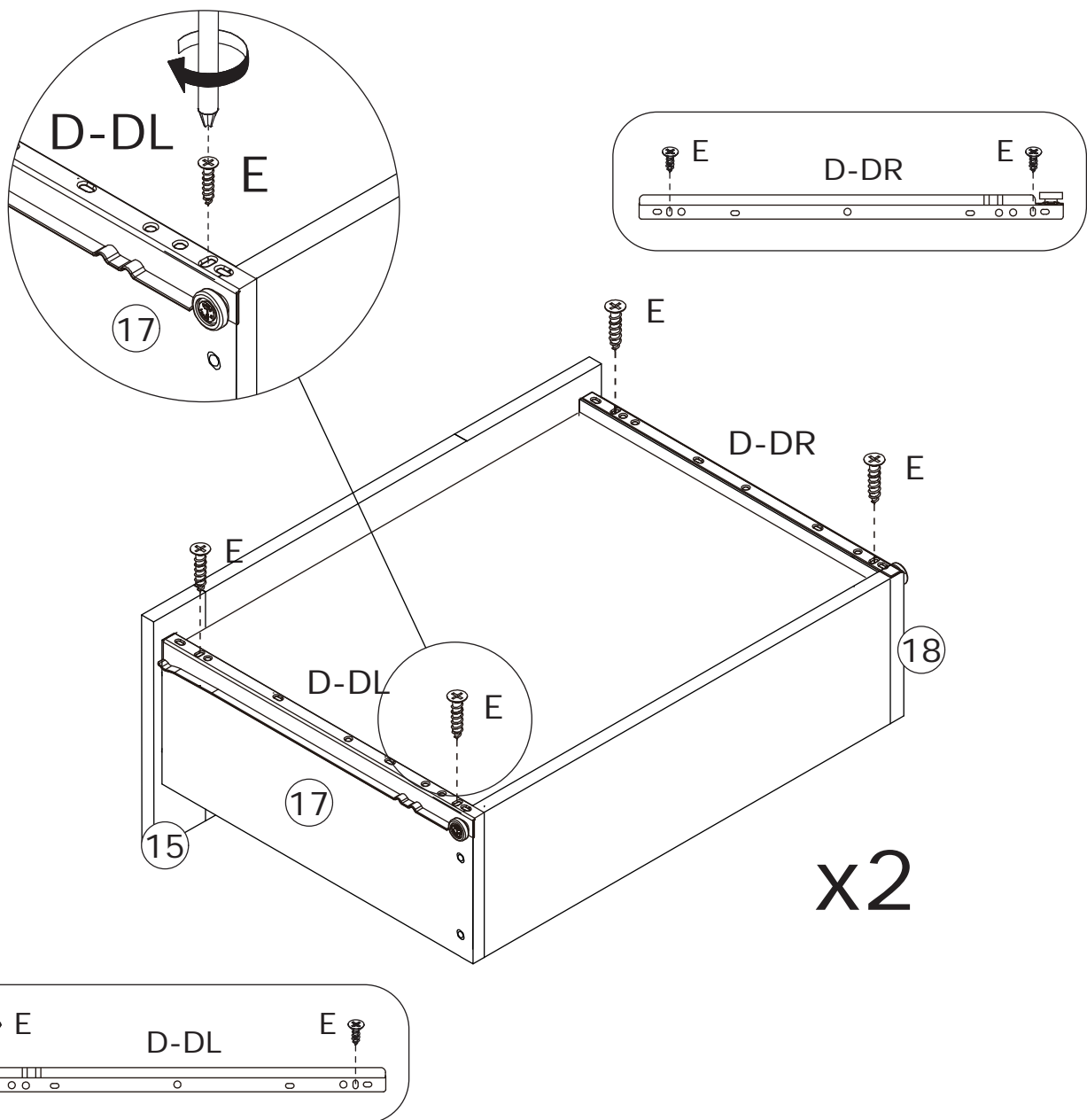
31



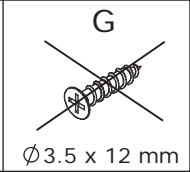
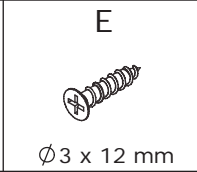
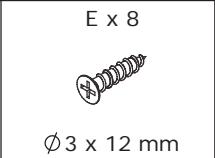
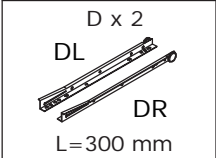
Comme illustré, utilisez la vis (E) pour fixer les glissières (D-DL, D-DR) aux panneaux n° 17 et n° 18 respectivement.



As shown, use screw (E) to secure the slide rails (D-DL, D-DR) to Boards #17 and #18 respectively.

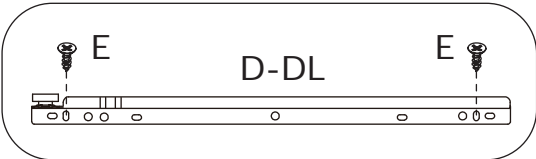
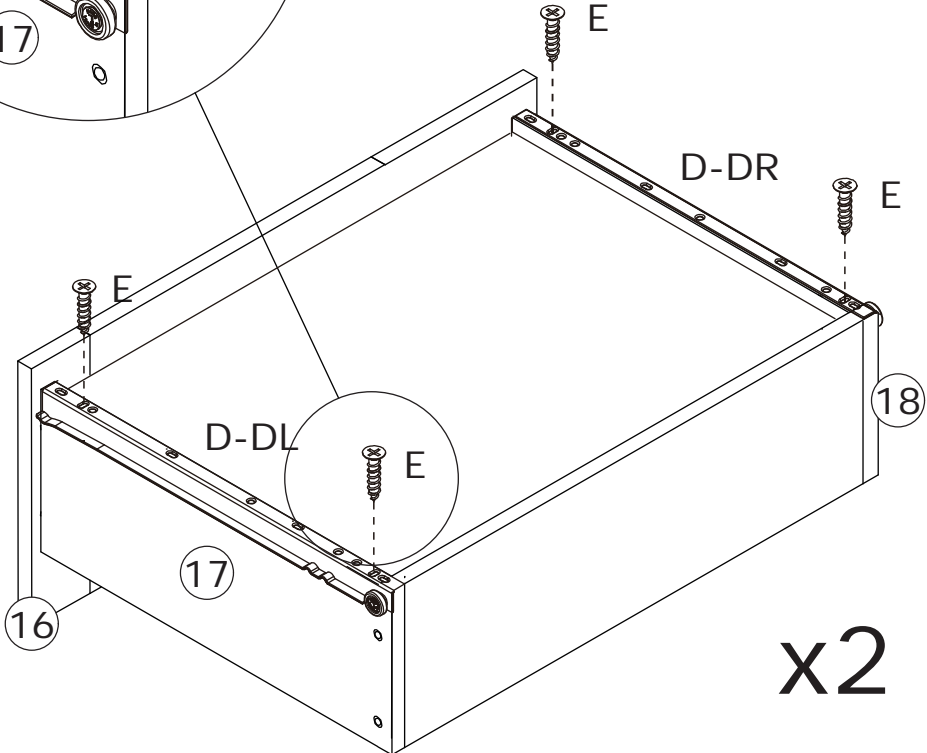
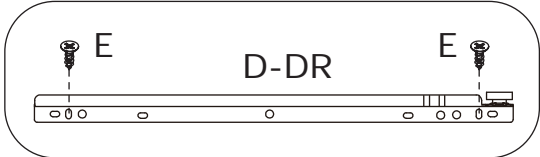
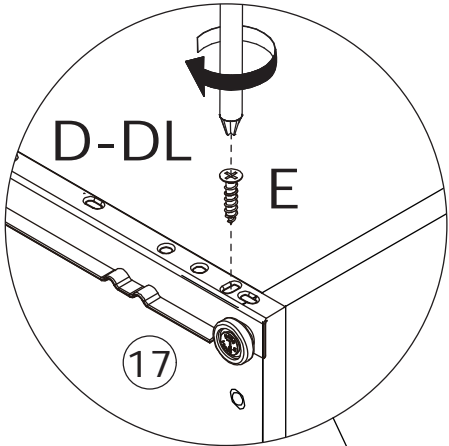


32



Comme illustré, utilisez la vis (E) pour fixer les glissières (D-DL, D-DR) aux panneaux n° 17 et n° 18 respectivement.

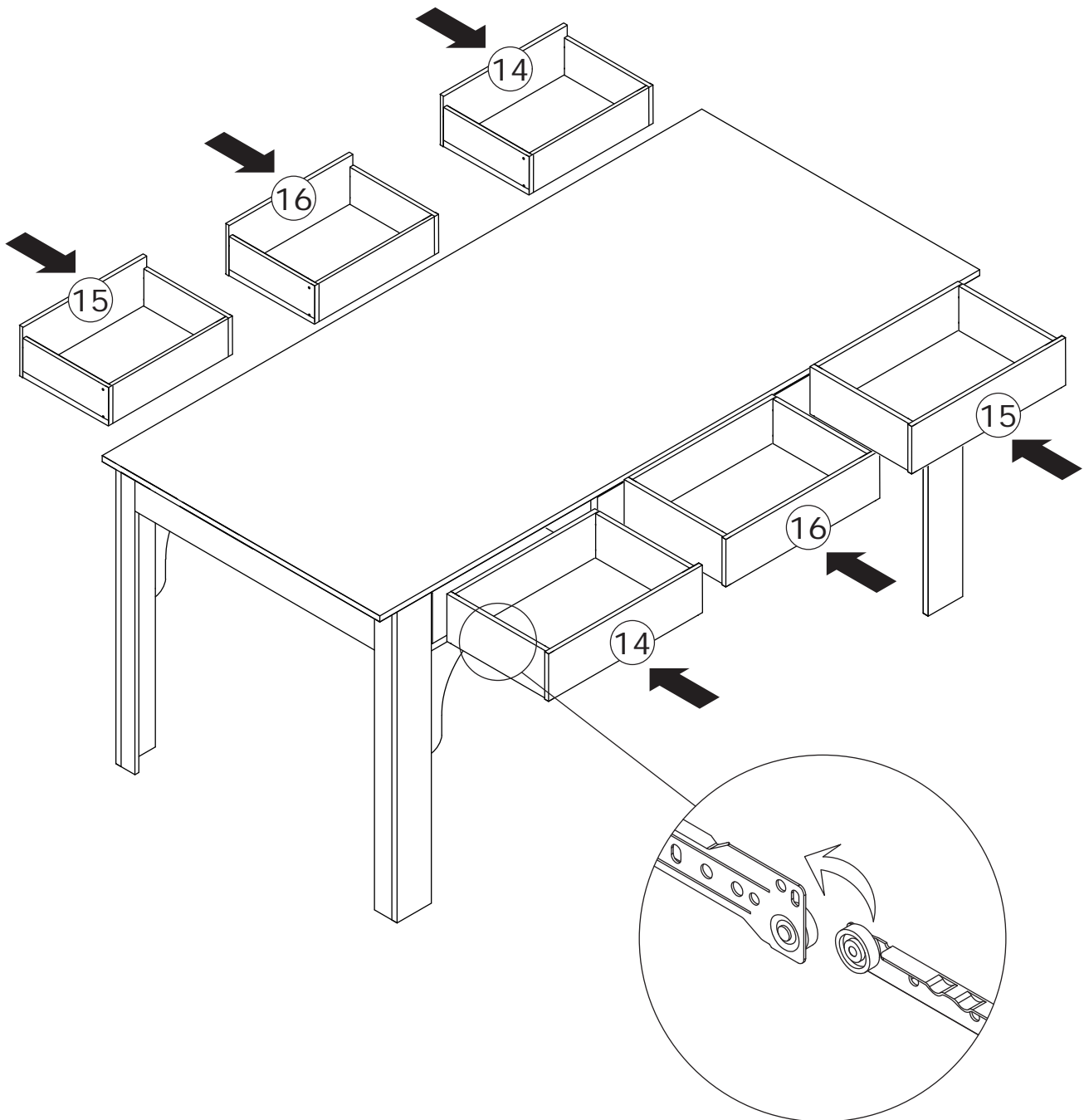
As shown, use screw (E) to secure the slide rails (D-DL, D-DR) to Boards #17 and #18 respectively.



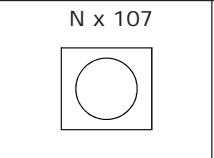
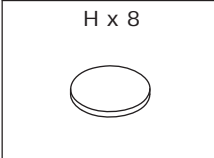
33

Alignez les guides et insérez tous les tiroirs.

Align the guides and insert all drawers.

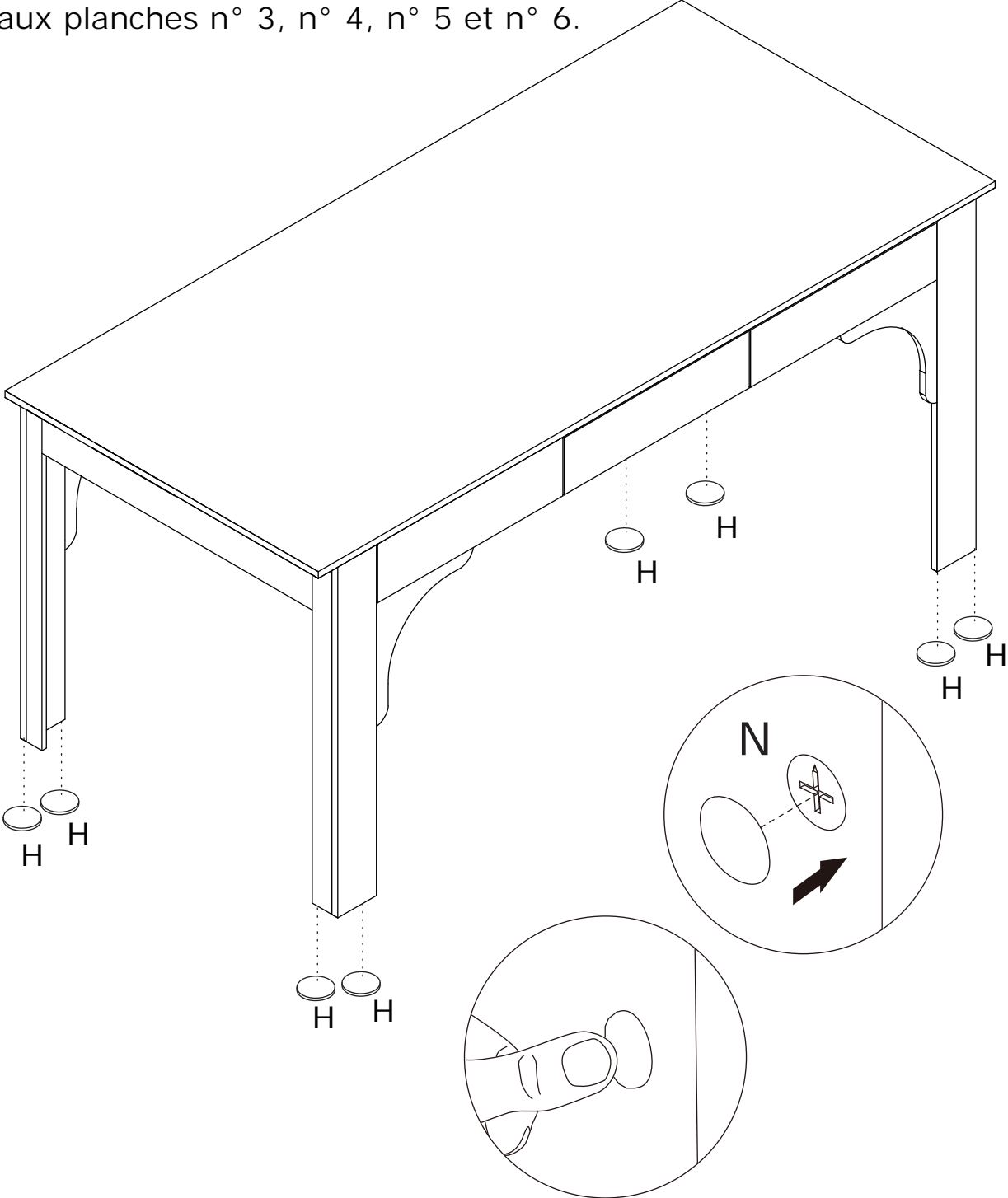


34



Cover the cam lock holes with stickers (N).
Then, attach the non-slip pads (H)
to Boards #3, #4, #5, and #6.

Couvrez les trous des serrures à came avec des autocollants (N).
Ensuite, fixez les patins antidérapants (H)
aux planches n° 3, n° 4, n° 5 et n° 6.



WARRANTY

WARRANTY CLAIMS

- There is a 30-day warranty for broken furniture or any other problems that do not work properly. The warranty will start from the date of purchase which must be verified by proof of purchase.
- Before making a claim, we may be able to answer your query, simply call us. Please leave your purchase order number, along with some details of the problem, if you want a replacement part. We will arrange within 48 hours. If there is out of stock, we will reply with a shipping date.
- The product must be used in accordance with the instructions provided. For health reasons.
- For other reasons, if the furniture needs to be returned, it must be cleaned and dried and operated within 30 days of receipt.

Type of Warranty Claim

- Failure to follow the furniture instructions will invalidate the warranty. Attention please.
- Does not include damage during installation, but includes damage during transportation.

Scope of responsibility

- Shall not bear any responsibility for misuse or user damage and / or loss of parts during the installation of furniture.
- After using, the damage and scratches of the furniture are not covered by the warranty.

The Warranty Relates to All Bought in The Us and Covers The Following Areas

- Sheet parts: 1 month from the date of purchase.
- Electrical parts: 1 month from the date of purchase.

RETURNS

CHANGED YOUR MIND AND NEED TO RETURN YOU ITEM?

PLEASE FOLLOW THE BELOW INSTRUCTIONS:

- If you have purchased and have simply changed your mind, follow the retailer's instructions for returns.

DEFECTIVE ITEMS

- If your item is defective in any way, i.e. it doesn't work but you can't identify why, in the first instance, please call us.

DAMAGED ITEMS

- If you receive an order with obvious shipping damage from the retailer, then we suggest the delivery is refused. If the delivery has been accepted and then shipping damage is found, please follow the specific instructions advised by the retailer.
In all circumstances please save all packaging material and paperwork for the order. Please be aware that if you dispose of packaging material or attempt to return the merchandise without contacting the fulfiller, you jeopardise your chances of making a claim, and you may not receive a credit for the return.