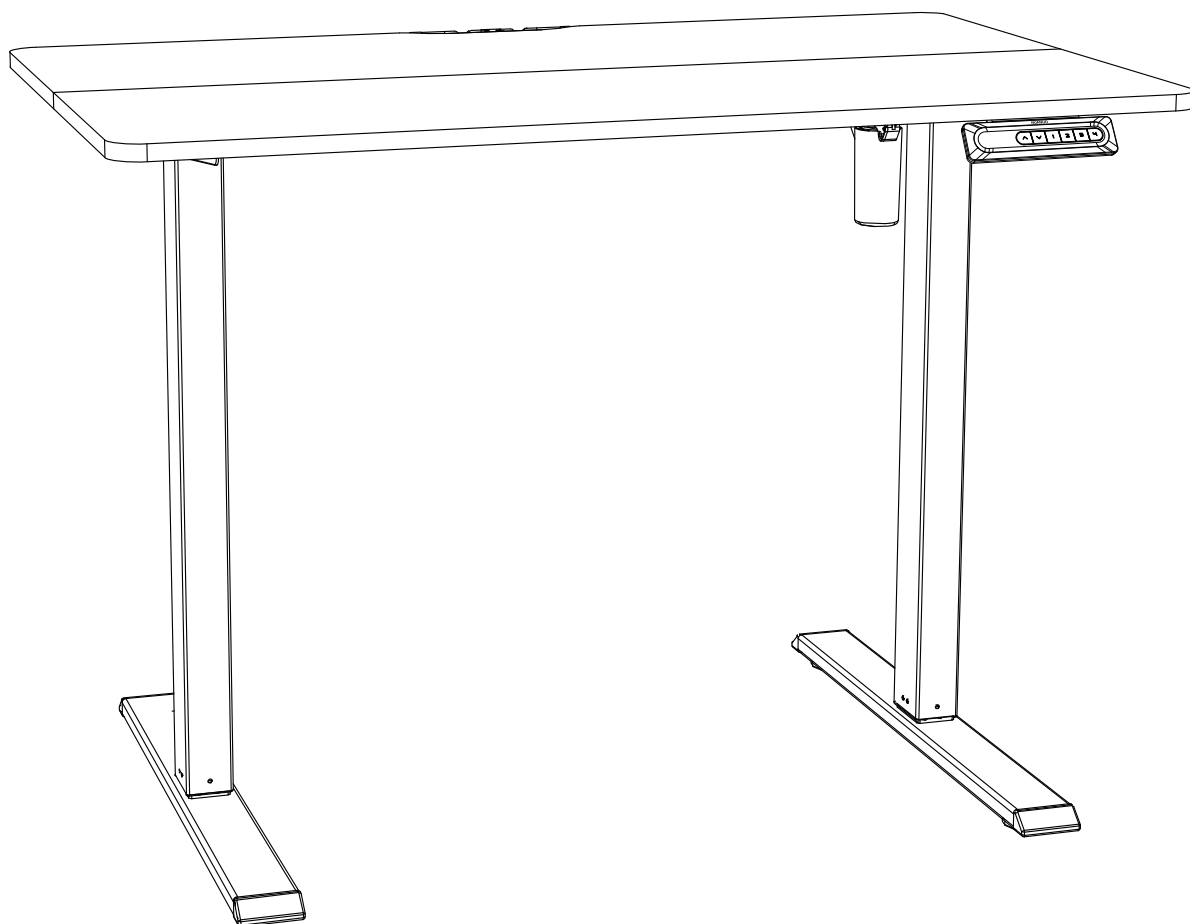
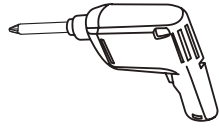


# Electric Standing Desk

## Instruction Manual

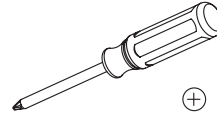


## Tools Needed (Not Included)



Drill

OR



Phillips Screwdriver

## Specifications

Height Adjustment Range  
27.9"–46.8" (71–119cm)



Power Input  
100V–240V



Max. Speed  
10mm/s



Operating Noise  
< 55dB



Max. Load  
110 lbs / 50 kg

## Step 1 Supplied Parts and Hardware

**A** x 8



Bolt  
M6 x 30mm

**B** x 10



Bolt  
M6 x 10mm

**C** x 2



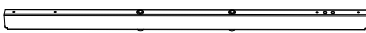
Set Screw

**D** x 1



Allen Wrench  
5/32" (4mm)

**01** x 1



Crossbar

**02** x 1



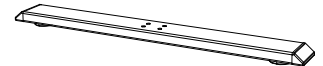
Left Desk Leg

**03** x 1



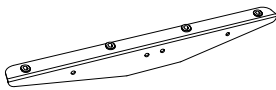
Right Desk Leg

**04** x 2



Leg Base

**05** x 2



Side Plate

**06** x 1



Transmission Rod

**08** x 1



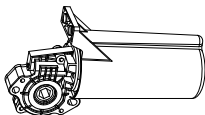
Rod Coupler

**09** x 1



Wrench

**14** x 1



Motor

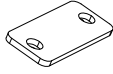
## Step 2 Supplied Parts and Hardware

**H** x 6



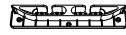
Screw  
ST5 x 14mm

**F** x 3



Desktop Panel Connector

**10** x 1



Cable Management Bracket

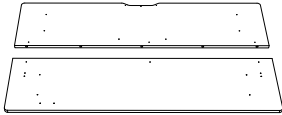
**NOTE:** An extra wood dowel pin is provided for the longer 55" / 63" desk.

**E** x 3



Screw  
ST3.9 x 13mm

**11** x 1



Desktop

**G**



Wood Dowel Pin  
**x 5** (for 40" / 48")  
**x 6** (for 55" / 63")

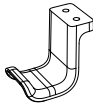
## Step 3 Supplied Parts and Hardware

**H** x 14



Screw  
ST5 x 14mm

**07** x 1



Storage Hook

**12** x 1



Controller

## Step 4 Supplied Parts and Hardware

**13** x 1



AC Adapter

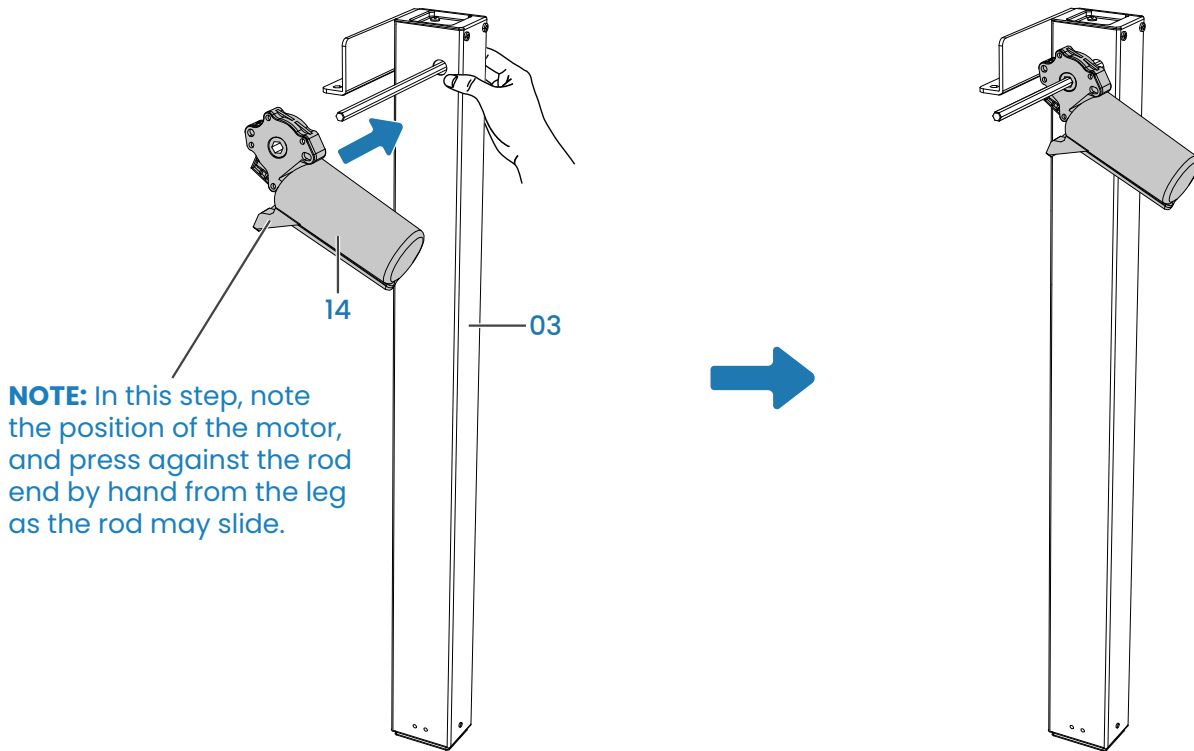
**15** x 4



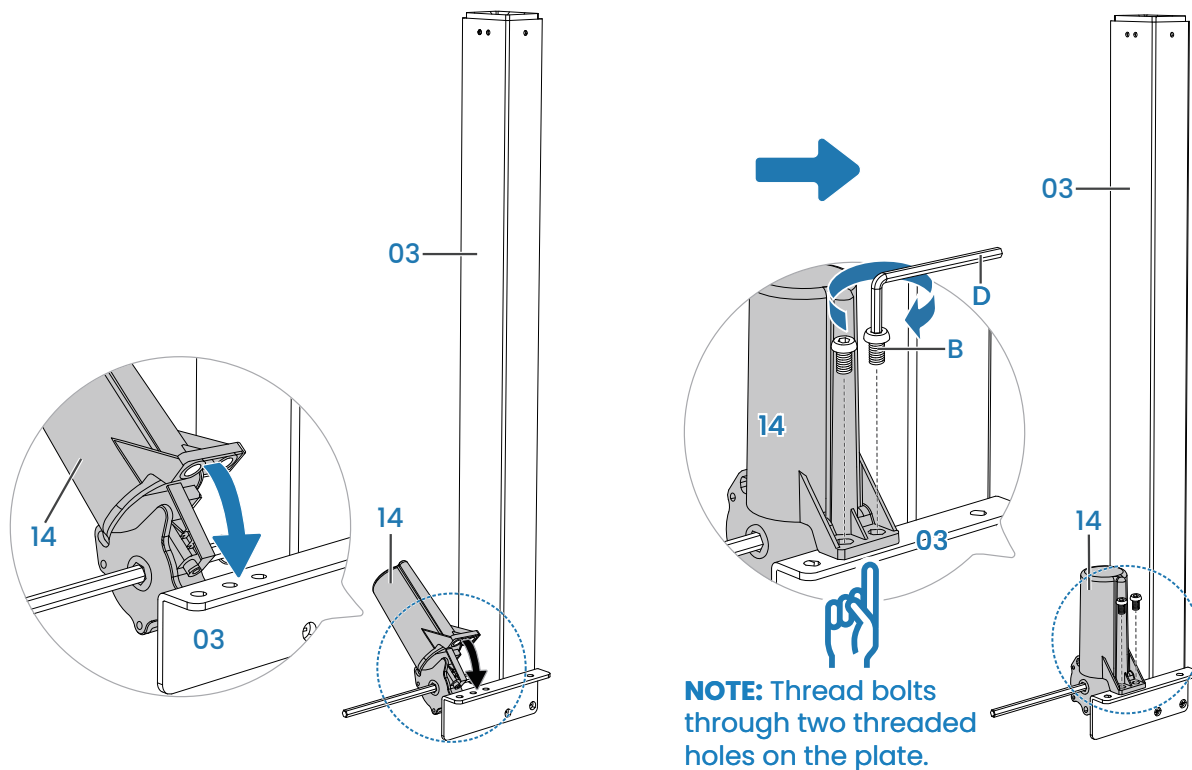
Cable Clip

# Step 1 Assembling the Frame

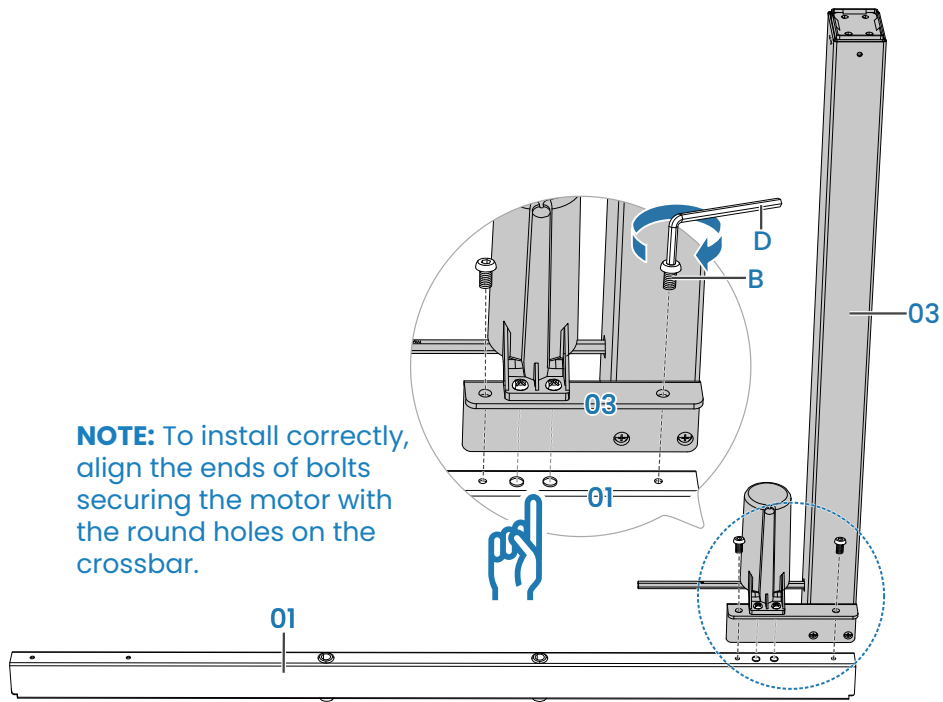
Attach the motor.



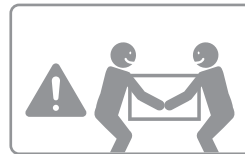
Secure the motor.



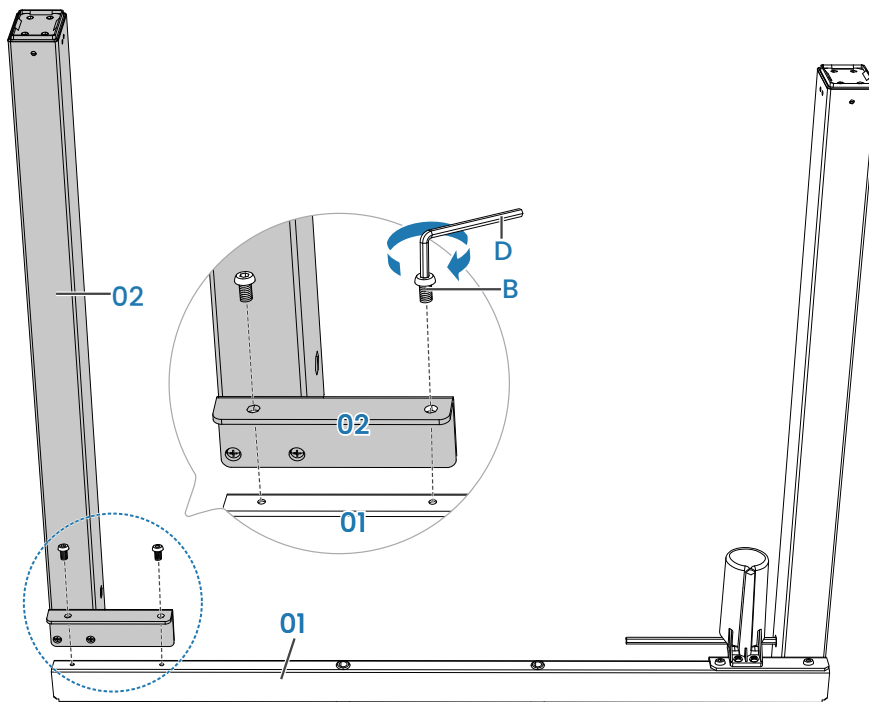
Attach the right desk leg to the crossbar.

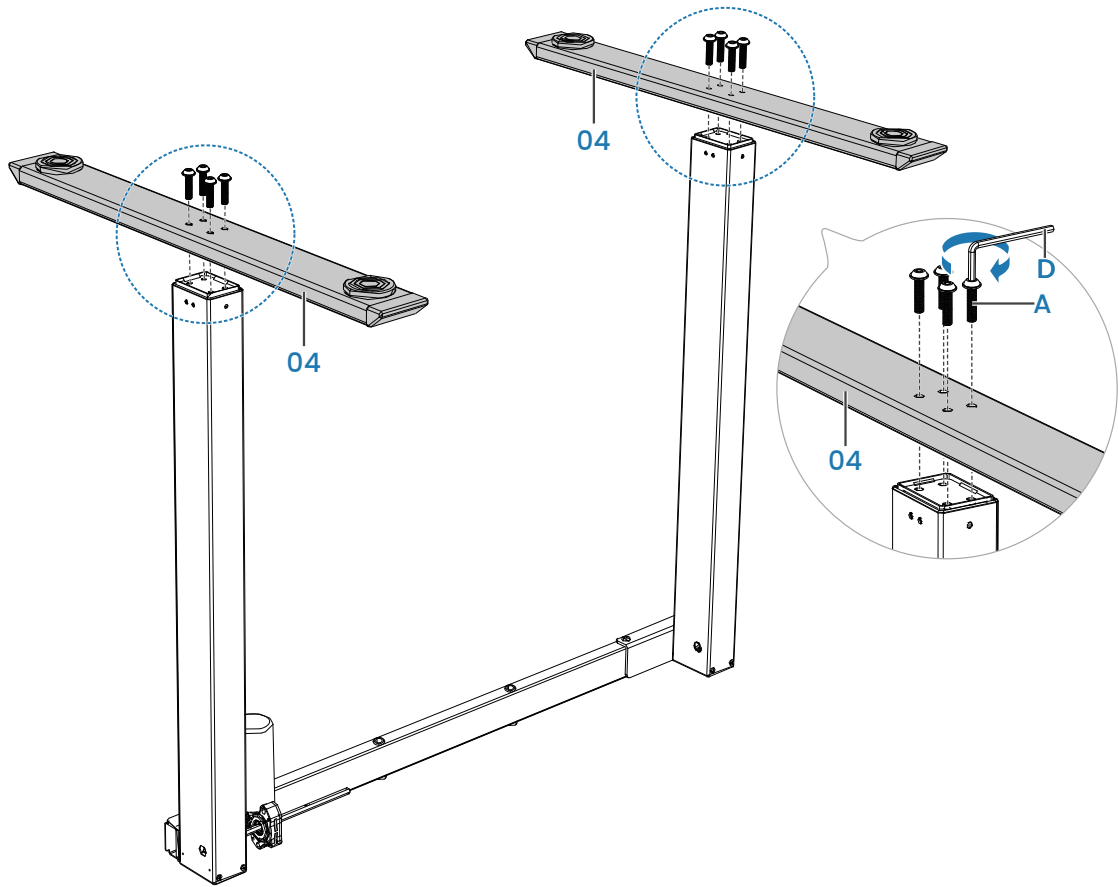


Attach the left desk leg.

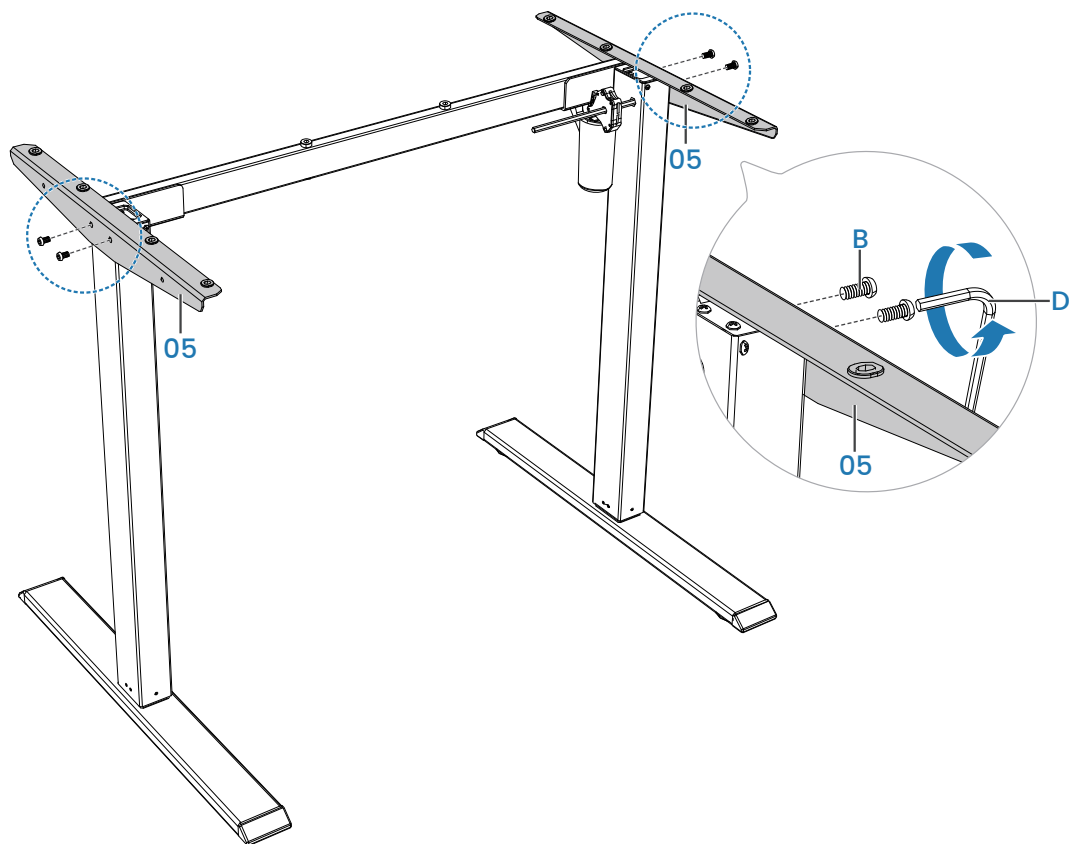


**HEAVY!** You may need assistance with this step.

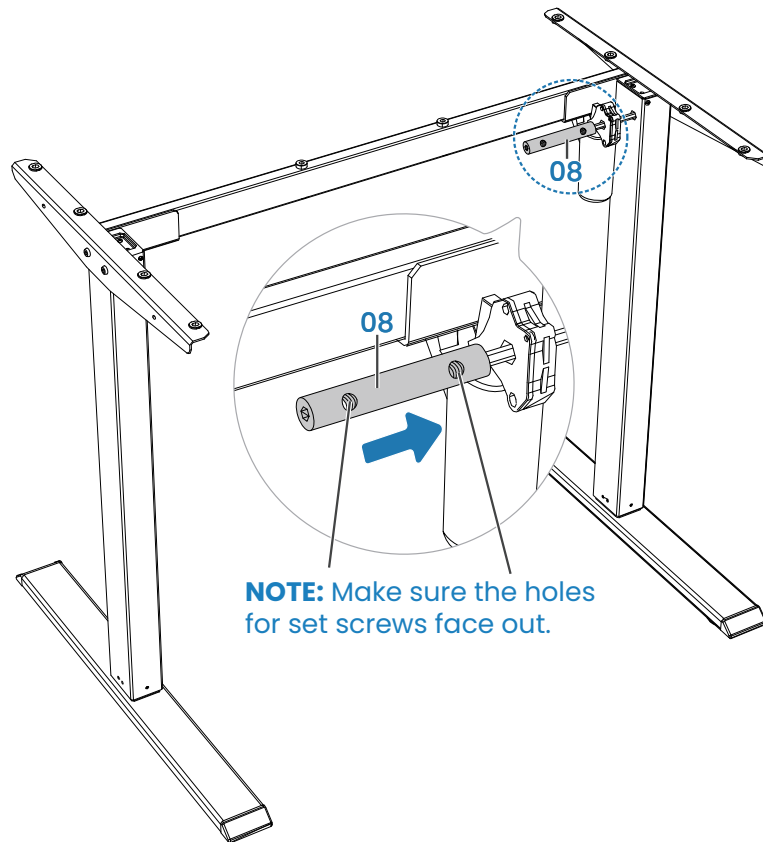




Attach the side plates.



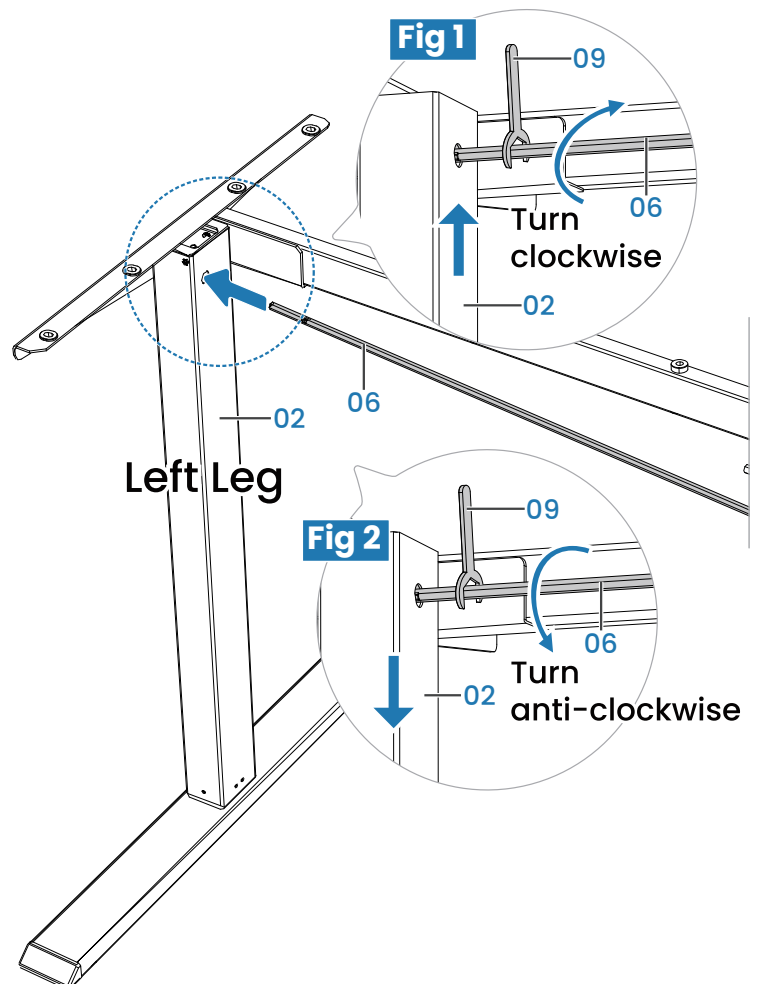
Slide the rod coupler onto the end of the motor drive shaft on the right leg.



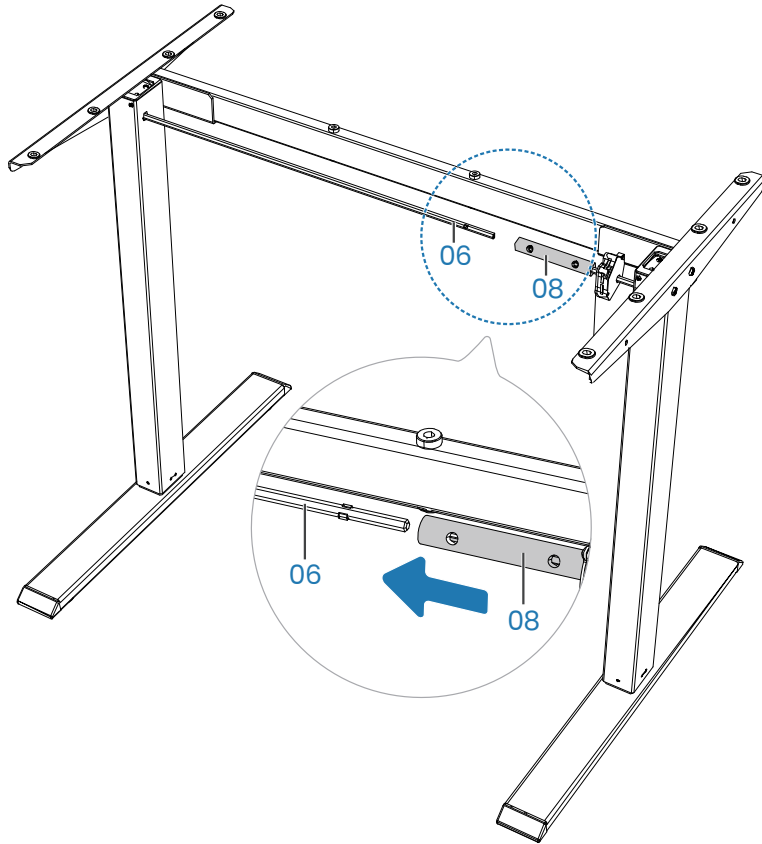
## Adjust uneven desk legs:

Before attaching the transmission rod, measure the heights of the two desk legs to see if they are set at the same level.

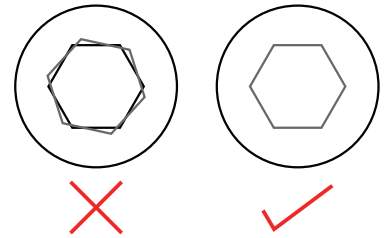
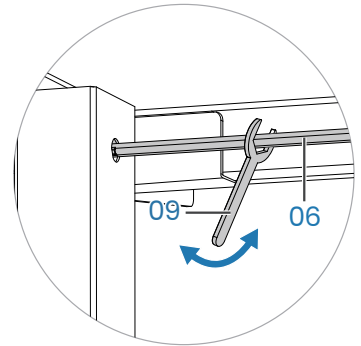
If not, insert the transmission rod into the hole in the left leg. Turn the rod, using the wrench, to adjust the left leg so it's level with the right leg. Turn the rod clockwise to raise the left leg or anti-clockwise to lower it.



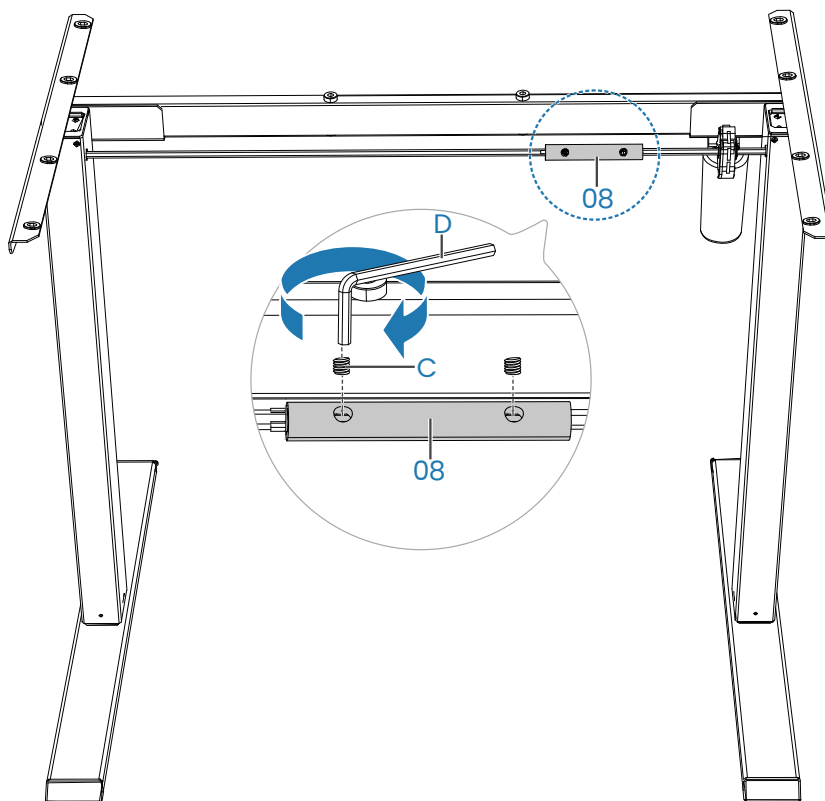
Ensure the transmission rod is properly inserted into the hole in the left leg. Slide the rod coupler to the left to connect with the other end of the transmission rod.



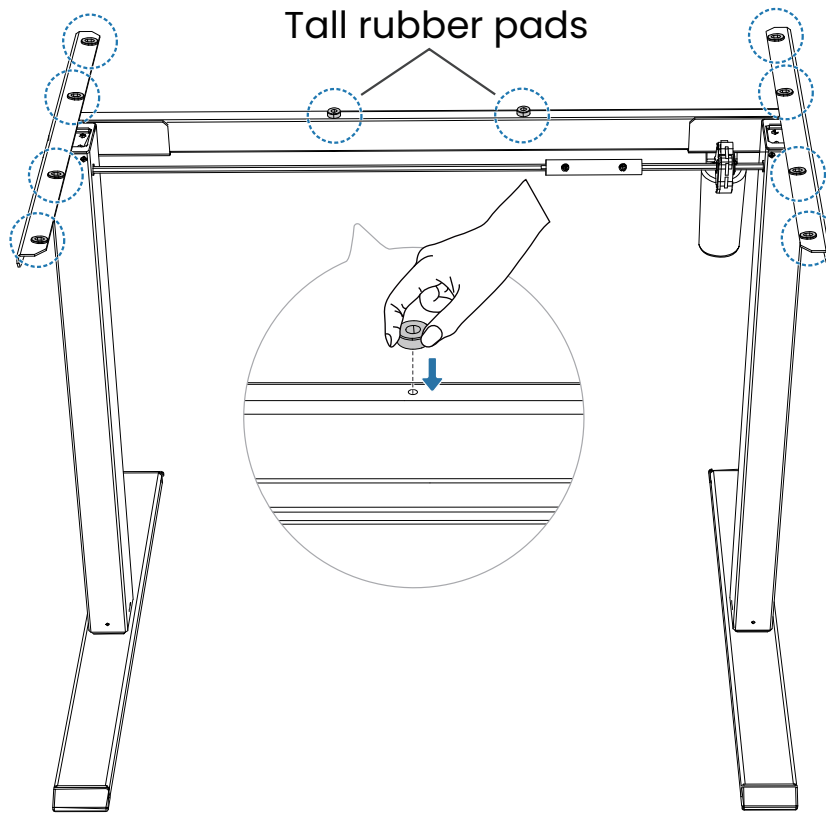
**NOTE:** If the transmission rod doesn't fit smoothly into the hole of rod coupler, fine-tune fit with the wrench.



Use the set screws to secure the rod coupler.

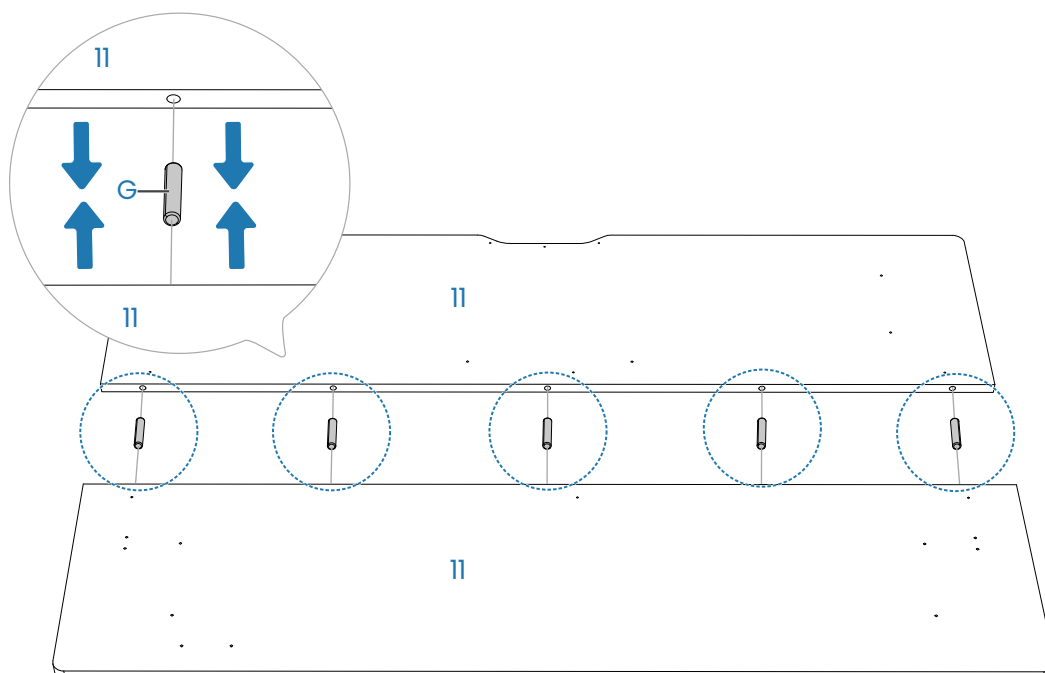


Ensure the rubber pads are attached to the frame. If any have fallen off, reattach them or use the spare rubber pads.

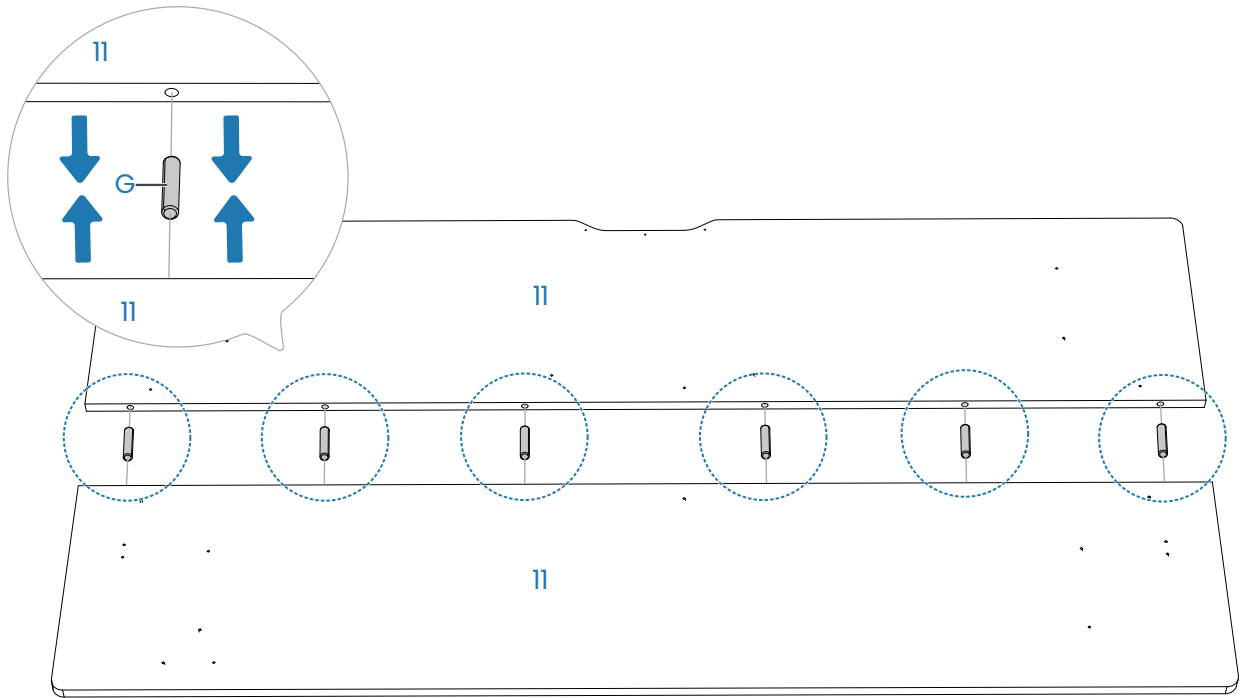


## Step 2 Assembling the Desktop

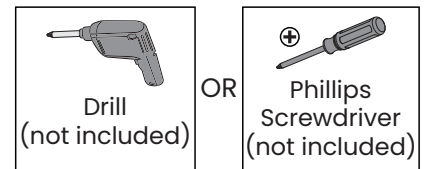
For the 40" / 48" long desk, use the five wood dowel pins to join the two desktop panels together.



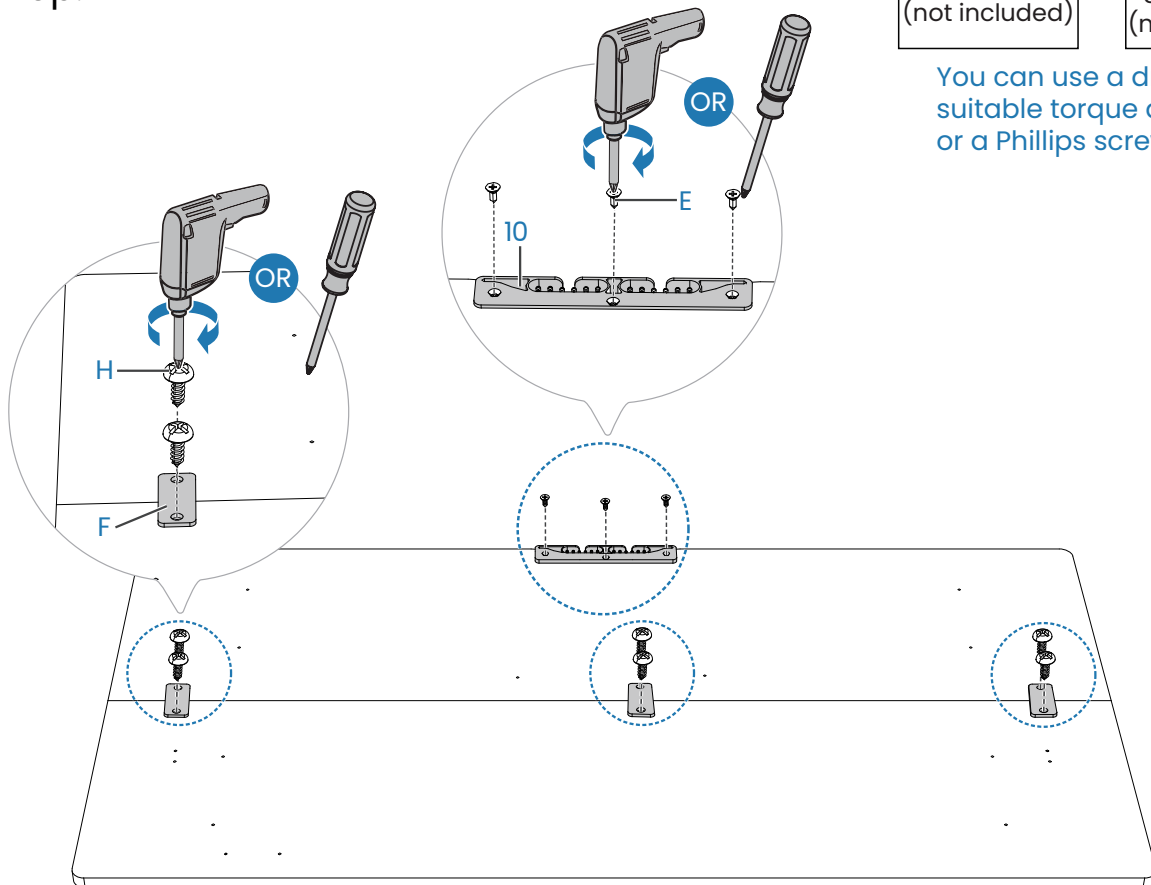
For the 55" / 63" long desk, use the six wood dowel pins to join the two desktop panels together.



Secure the desktop panels with the connectors, then attach the cable management bracket to the desktop.

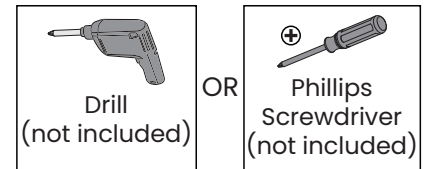


You can use a drill (with suitable torque and speed) or a Phillips screwdriver.



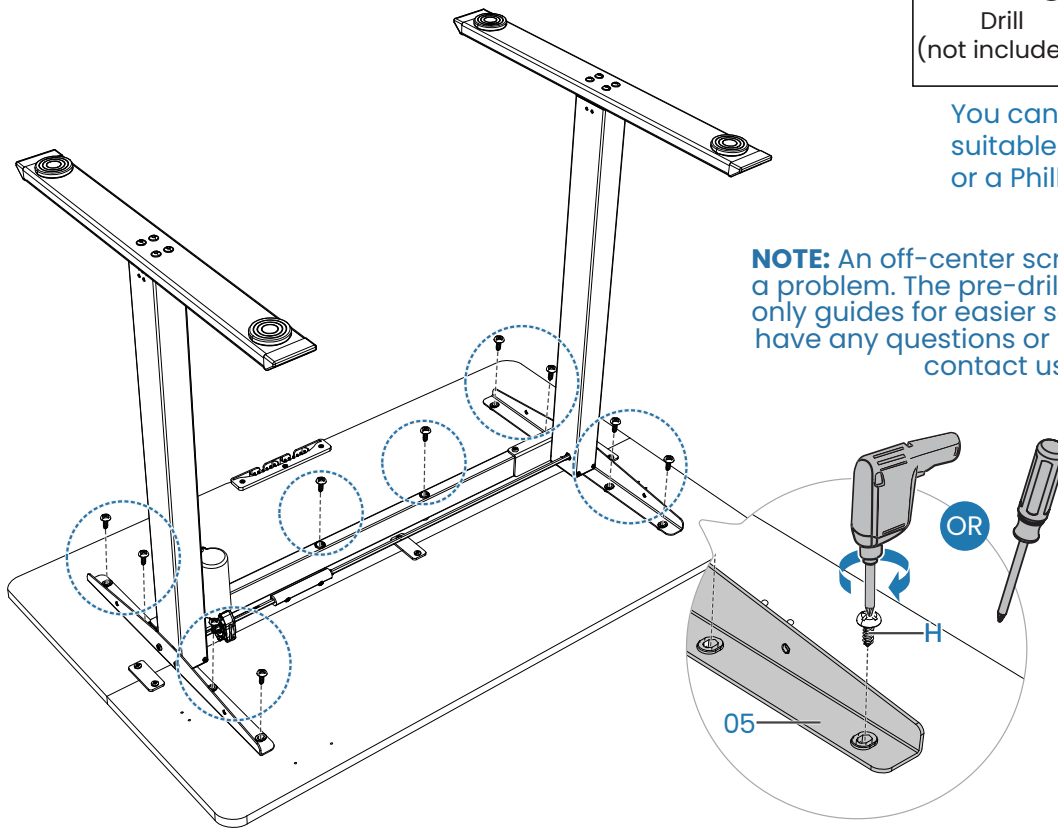
# Step 3 Attaching the Desktop

Attach the frame to the desktop.



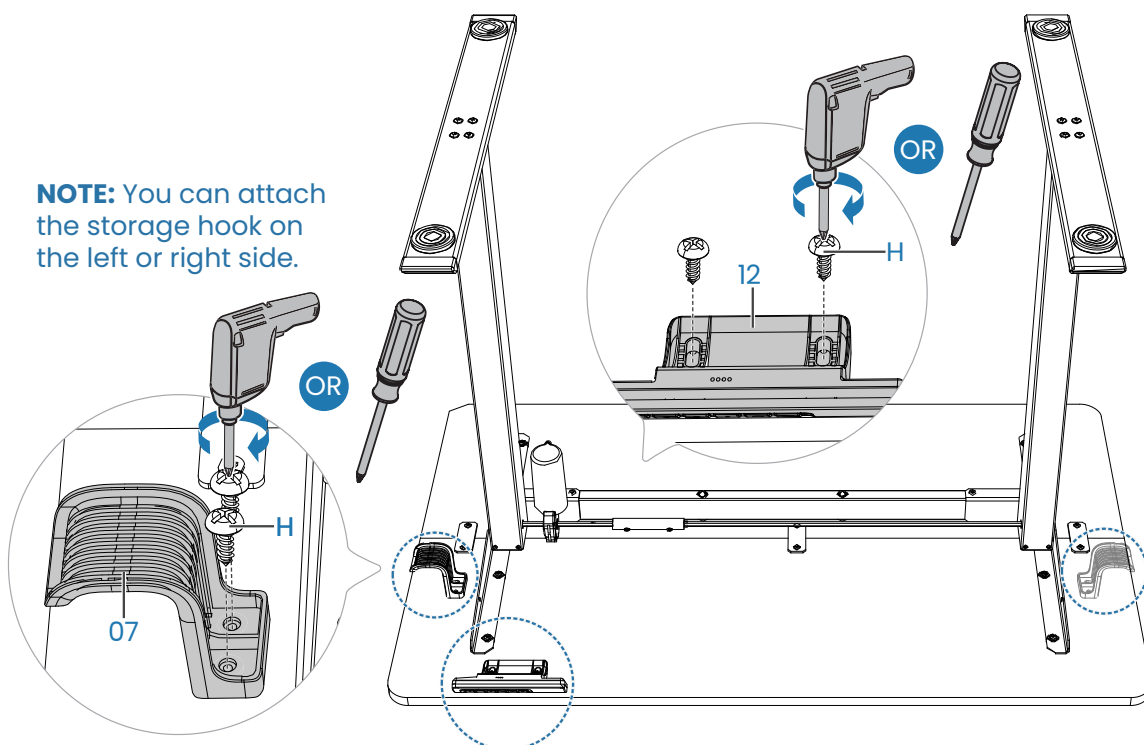
You can use a drill (with suitable torque and speed) or a Phillips screwdriver.

**NOTE:** An off-center screw hole is not a problem. The pre-drilled holes are only guides for easier screw-in. If you have any questions or issues, please contact us.



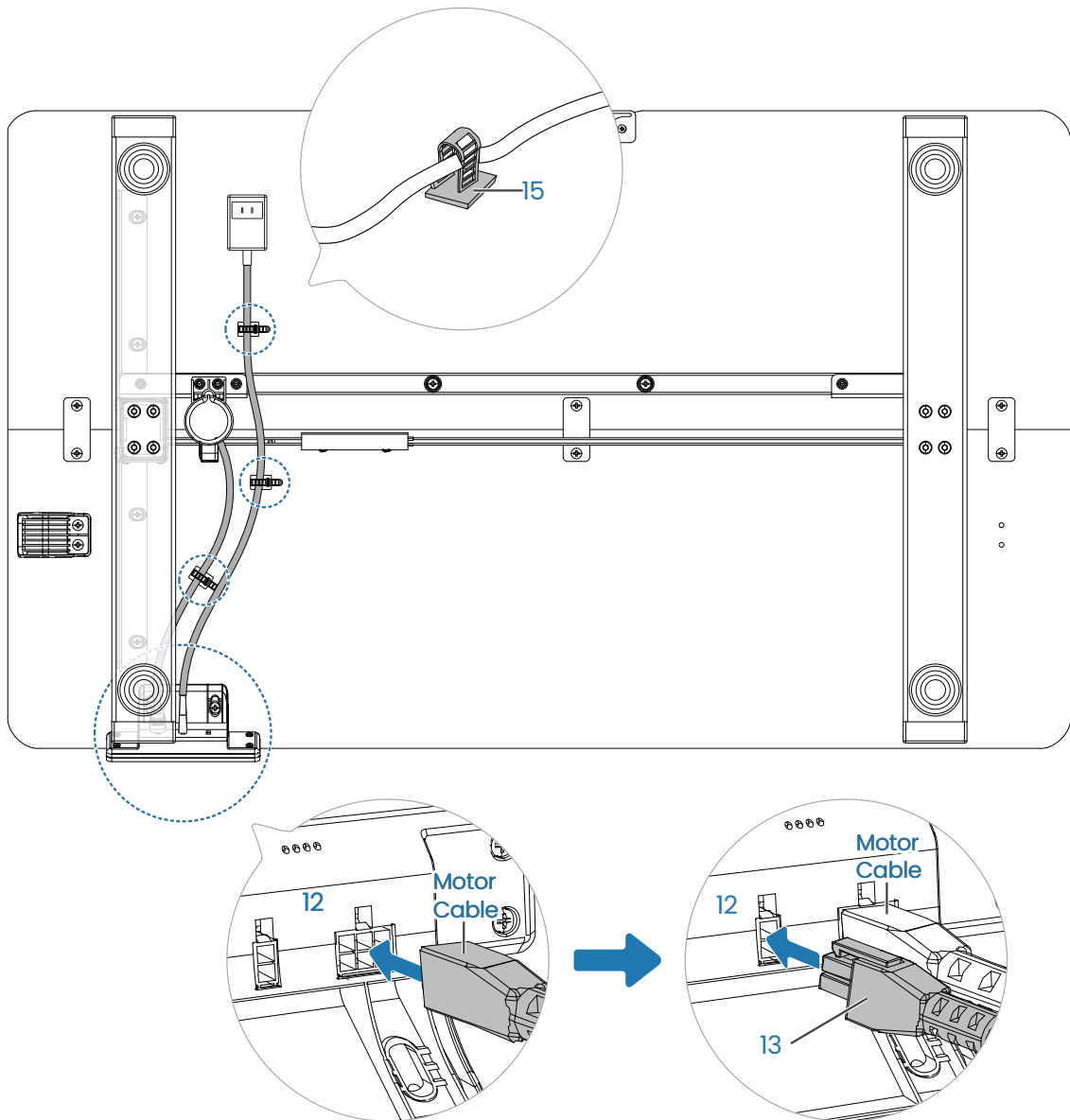
Attach the storage hook and controller to the desktop.

**NOTE:** You can attach the storage hook on the left or right side.

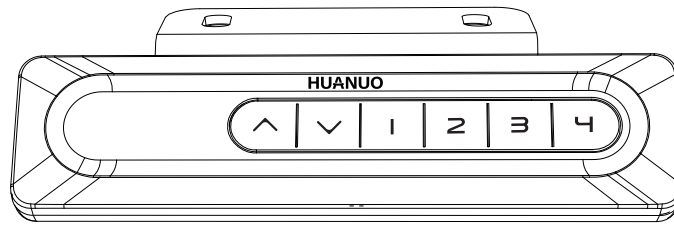


## Step 4 Connecting the Cables

**NOTE:** An example of a cable clip layout is indicated below. However, the cable clips can be arranged according to your needs.



# Using the Controller



**Note:** Ensure that there are no obstacles when using the desk, that the desktop is not right next to the wall, and that all cables are long enough for the desk to move up and down freely. When the controller screen is off (power-saving mode), press any button to wake it before operating the desk.

**Suggestion:** Set the most comfortable height when you sit down to **1** and the most comfortable height when you stand up to **2**. The other two presets can be set for another user or to other heights you want to use.

---

## Raise the Desk

Press the **^** button to raise the desk continuously until it reaches the highest position of 46.8" (119cm) or the button is released.

---

## Lower the Desk

Press the **v** button to lower the desk continuously until it reaches the lowest position of 27.9" (71cm) or the button is released.

---

## Save Height Settings

Four heights can be stored. Press and hold the **1** / **2** / **3** / **4** button for 3 seconds. The digital number will flash three times and the current height will be stored to that button.

---

## Select Height Setting 1

Press the **1** button, and the desk will move to the height that was previously set for that button. Press any button to stop the desk.

---

## Select Height Setting 2

Press the **2** button, and the desk will move to the height that was previously set for that button. Press any button to stop the desk.

---

## Select Height Setting 3

Press the **3** button, and the desk will move to the height that was previously set for that button. Press any button to stop the desk.

## Select Height Setting 4

Press the **4** button, and the desk will move to the height that was previously set for that button. Press any button to stop the desk.

Settings	
<b>Reset</b>	<ol style="list-style-type: none"><li>1. Press and hold the <b>↓</b> button until the desk goes down to its lowest level, and then release the button.</li><li>2. Press and hold the <b>↓</b> button for 5 seconds until the screen displays 'RST,' and then release the button with 'RST' flashing.</li><li>3. Press and hold it again until the desk goes down to its lowest level and comes back up slightly. The screen will display current height again, and reset is complete.</li></ol>
<b>Lock/Unlock</b>	Press and hold <b>1</b> and <b>2</b> buttons together for 3 seconds to turn the lock on. The screen will display 'LOC' and the buttons will be disabled. Repeat to turn the lock off again.
<b>Change Display Height Units</b>	Press and hold <b>1</b> and <b>3</b> buttons together for 3 seconds to switch the display height unit. The default unit is imperial.
<b>Change Collision Detection Sensitivity</b>	<ol style="list-style-type: none"><li>1. Press and hold <b>1</b> and <b>4</b> buttons together for 3 seconds, and 'S02' will flash on the screen. The last digit displayed is the current sensitivity level, and the value range is 0–3 (0: off; 1–3: highest to lowest).</li><li>2. Select other levels by pressing <b>↑</b> or <b>↓</b> button, and then press and hold <b>1</b> and <b>4</b> buttons together for 3 seconds. The digits will stop flashing, and the screen will display current height again.</li></ol>
<b>Set/Clear Lowest Limit</b>	<ol style="list-style-type: none"><li>1. To set the lowest height limit, press and hold <b>↓</b> and <b>1</b> buttons together for 3 seconds, and the screen will display '-dO.' Whenever the desk reaches the lowest limit, the screen will display '-LO.'</li><li>2. To clear the lowest height limit, move the desk down to the lowest height (screen displays '-LO') and press <b>↓</b> and <b>1</b> buttons together for 3 seconds. '-dO' will flash on the screen, and the limit will be cleared.</li></ol>
<b>Set/Clear Highest Limit</b>	<ol style="list-style-type: none"><li>1. To set the highest height limit, press and hold <b>↑</b> and <b>1</b> buttons together for 3 seconds, and the screen will display '-UP.' Whenever the desk reaches the highest limit, the screen will display '-HI.'</li><li>2. To clear the highest height limit, move the desk up to the highest height (screen displays '-HI') and press <b>↑</b> and <b>1</b> buttons together for 3 seconds. '-UP' will flash on the screen and the limit will be cleared.</li></ol>

## Troubleshooting

1. Please try resetting the desk if you have any issues like the following:

- Abnormal operation.
- The controller screen displays 'RST' (reset).
- The controller screen displays error message E07 or E08, but the motor cable is connected correctly.

2. If the controller screen displays 'HOT,' please wait 20 minutes for the motor to cool down before making any further height adjustment.