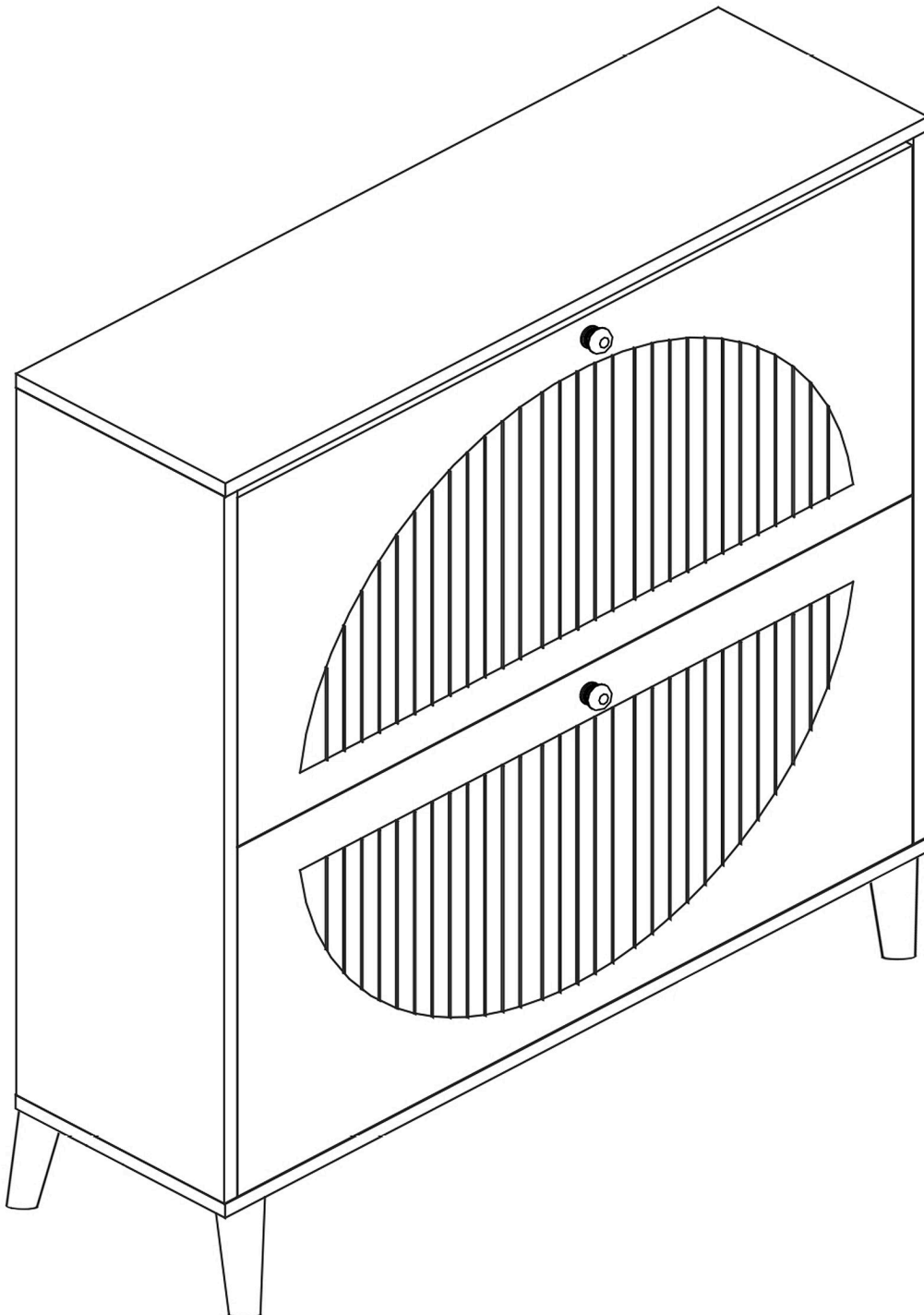


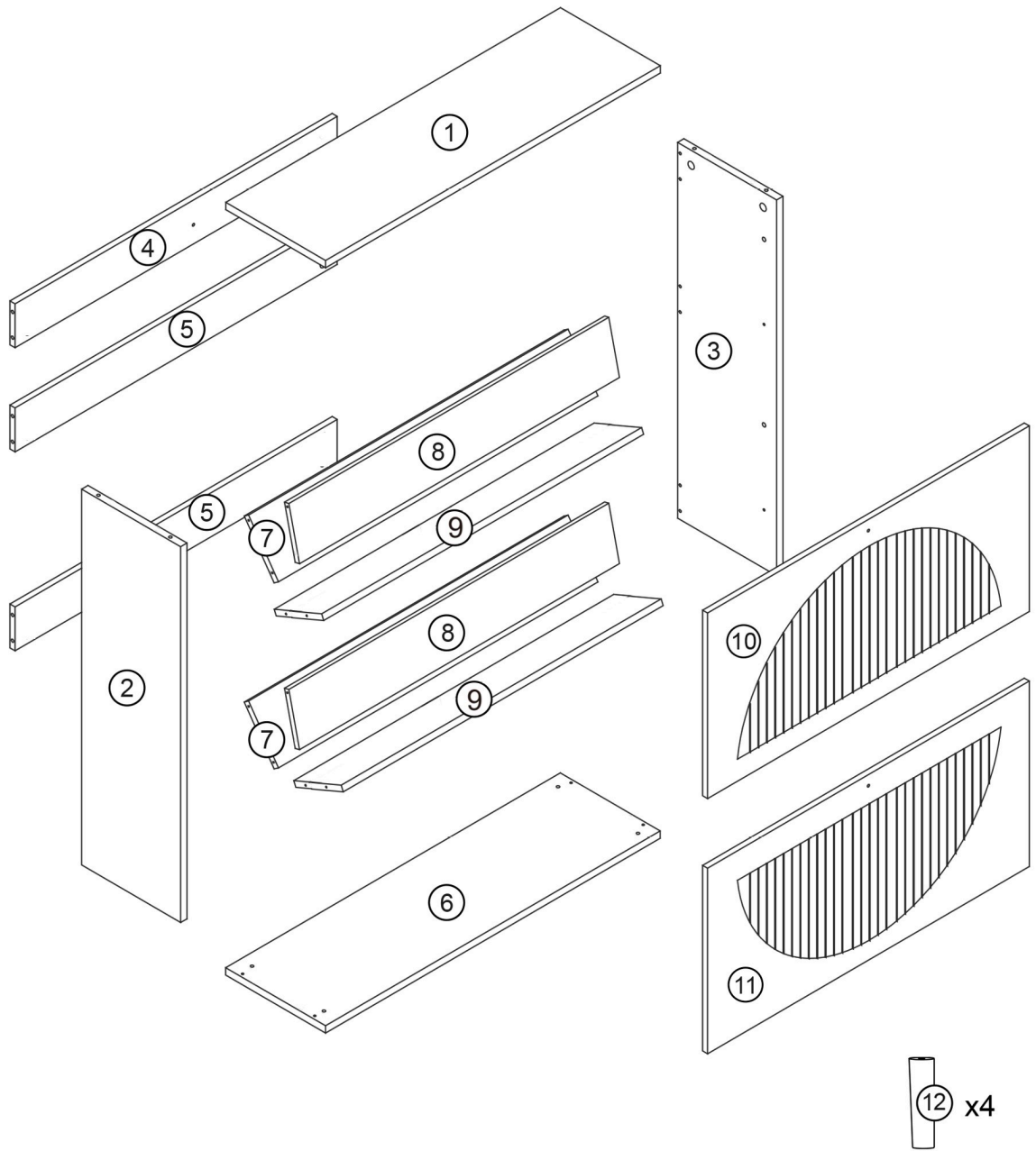
Cufect

| See it - Feel it - Live it

Assembly Instruction

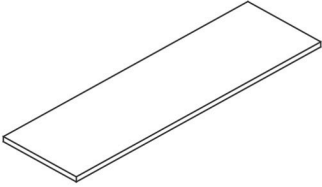
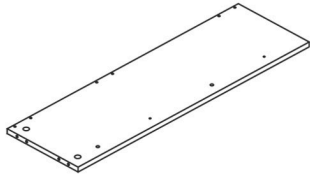
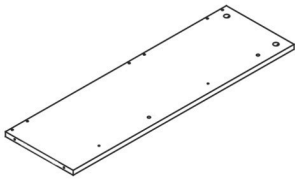
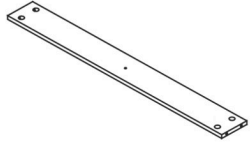
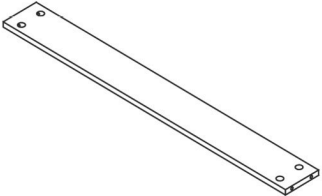
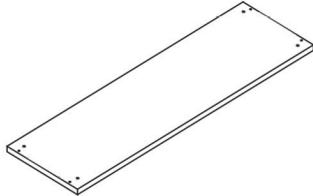
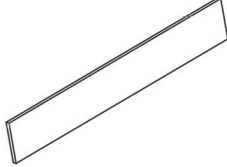
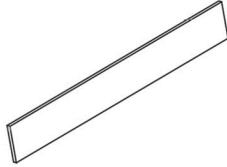
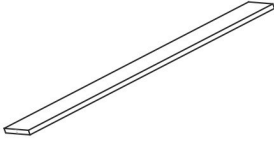
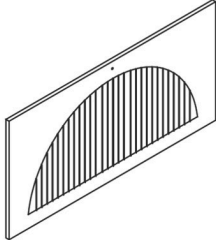
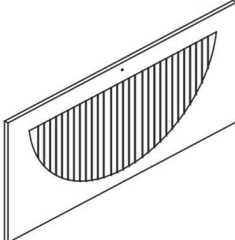



Exploded View



PARTS LIST

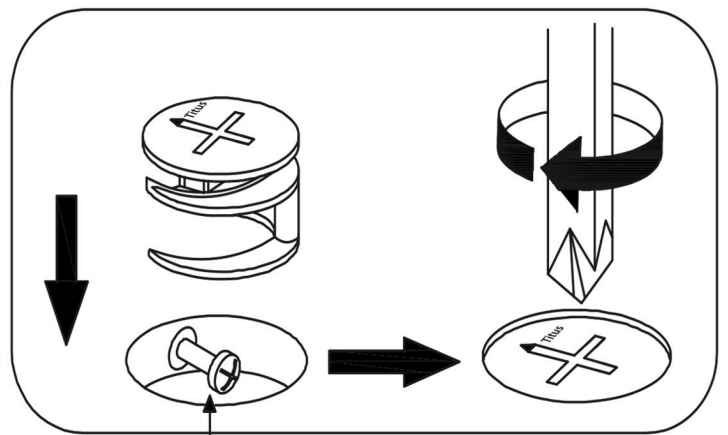
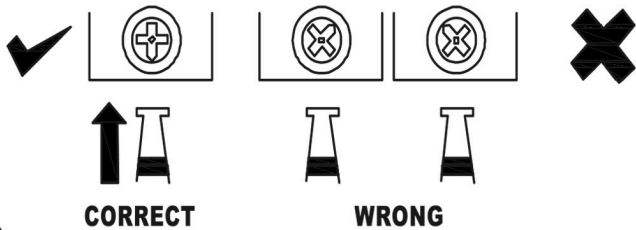
Unit: (mm)

<p>①</p>  <p>x1</p>	<p>②</p>  <p>x1</p>	<p>③</p>  <p>x1</p>	<p>④</p>  <p>x1</p>
<p>⑤</p>  <p>x2</p>	<p>⑥</p>  <p>x1</p>	<p>⑦</p>  <p>x2</p>	<p>⑧</p>  <p>x2</p>
<p>⑨</p>  <p>x2</p>	<p>⑩</p>  <p>x1</p>	<p>⑪</p>  <p>x1</p>	<p>⑫</p>  <p>x4</p>

CAM-LOCK



**WHEN FITTING CAMLOCK
ENSURE STARTING POSITION IS CORRECT
BEFORE YOU INSERT CONNECTING QUICKFIT
TURN CLOCKWISE UNTIL SECURE**

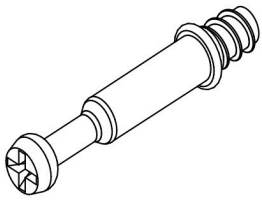


Quickfit head needs to be in centre

PARTS LIST

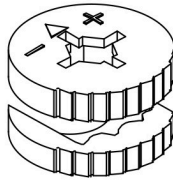
Unit: (mm)

A



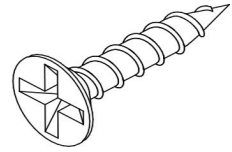
M6 × 35mm × 20

B



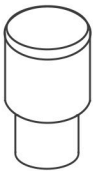
× 20

C



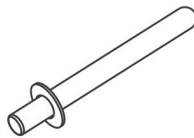
Φ 3.5 × 16mm × 12

D



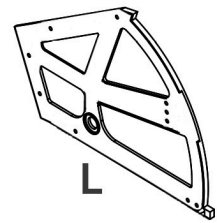
× 4

E



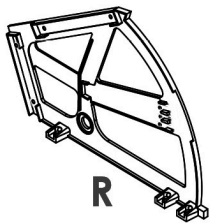
× 4

L



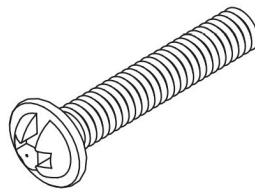
× 2

M



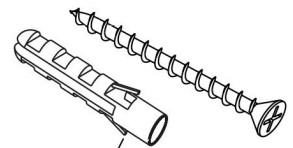
× 2

F



Φ 8 × 30mm × 12

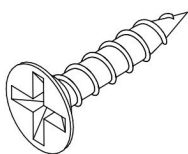
G



Φ 6 × 30mm
Φ 4 × 30mm

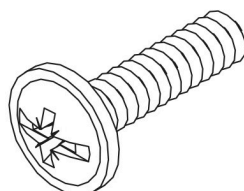
× 1

H



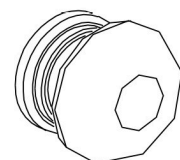
Φ 3.5 × 12mm × 20

I



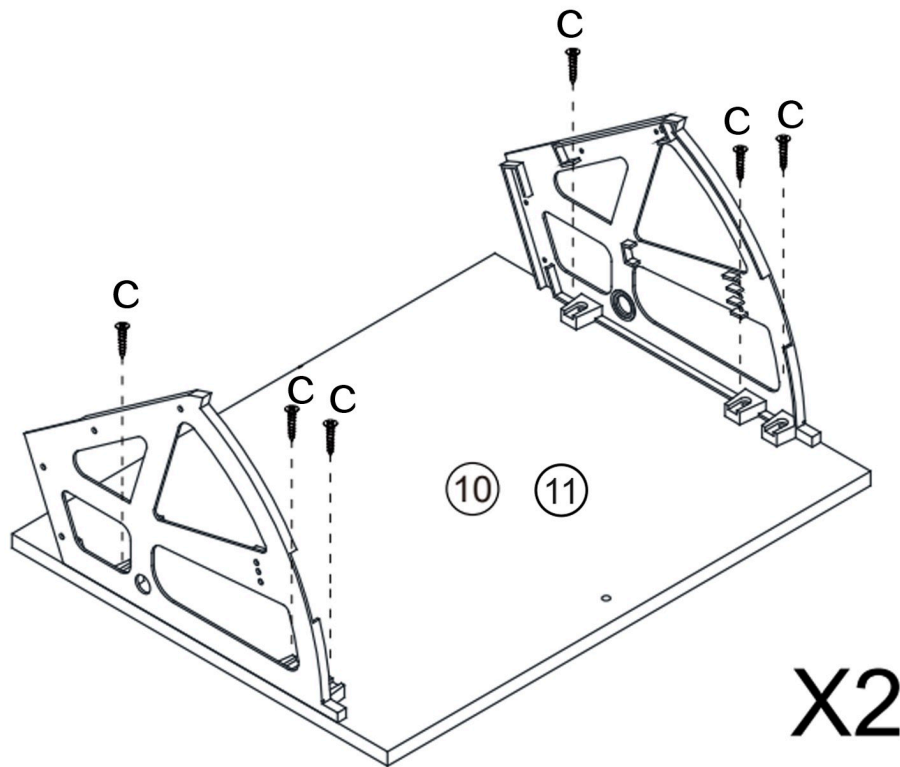
Φ 4 × 18mm × 2

J



× 2

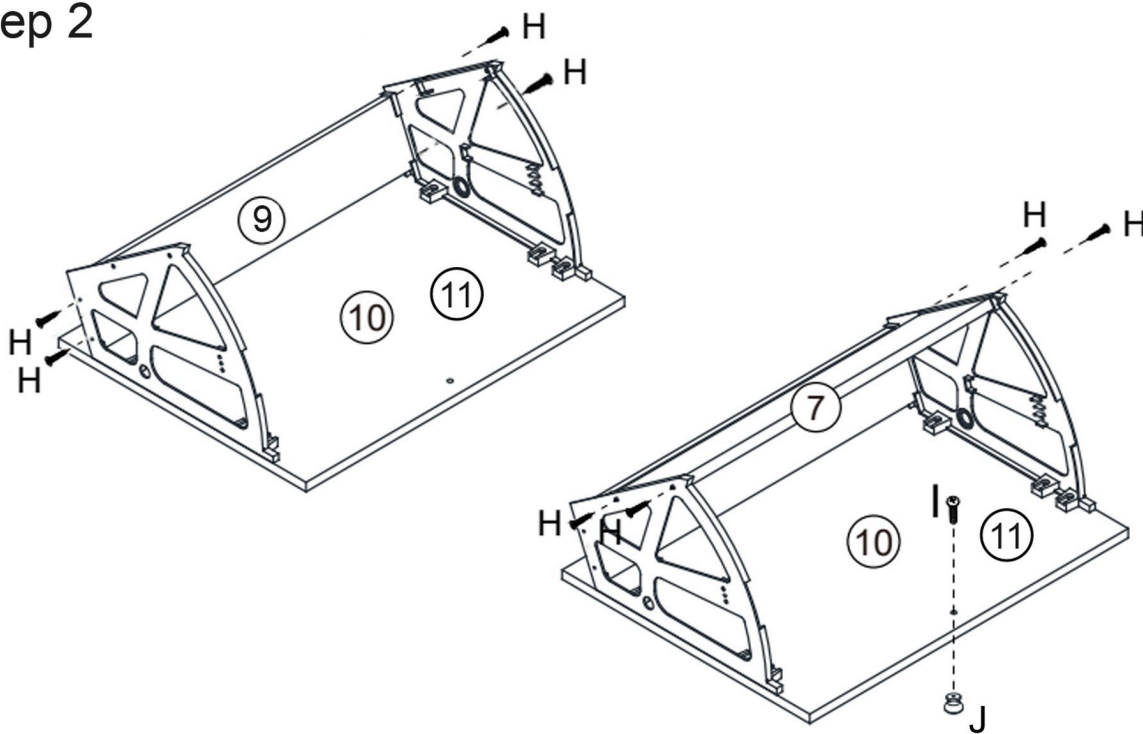
Step 1



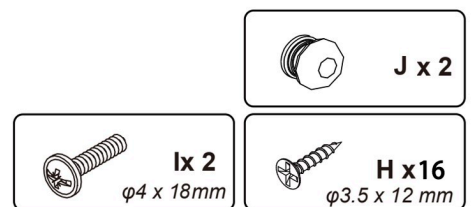
X2



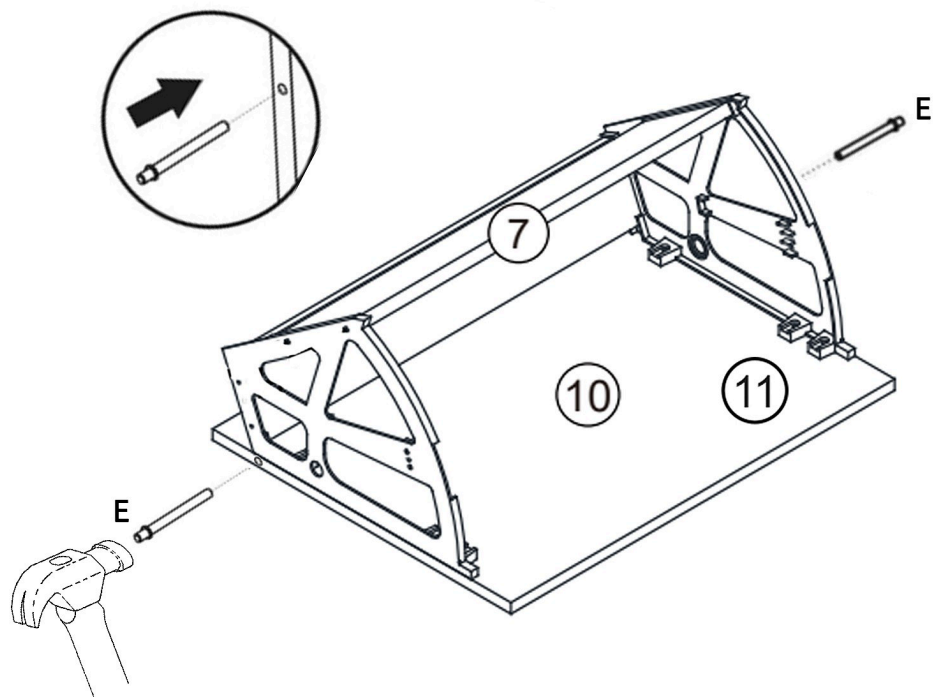
Step 2



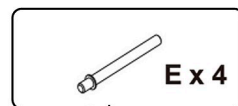
X2



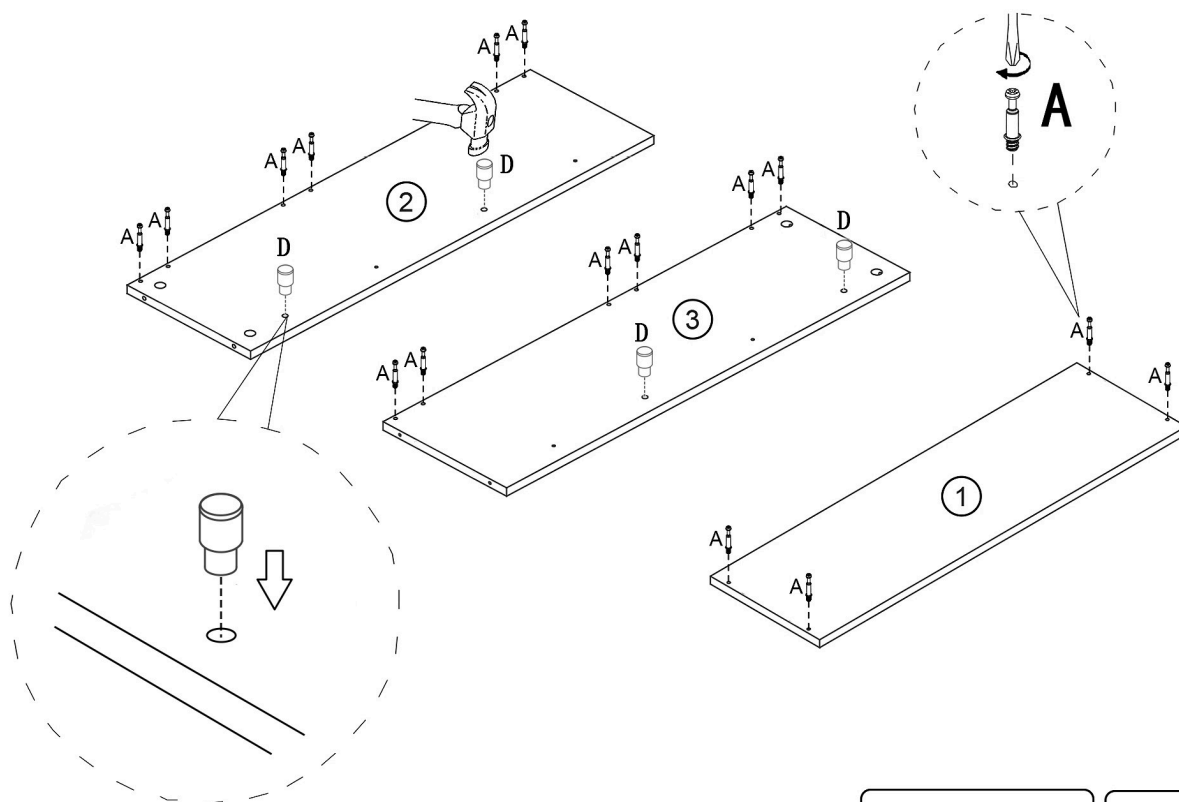
Step 3



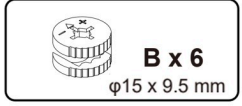
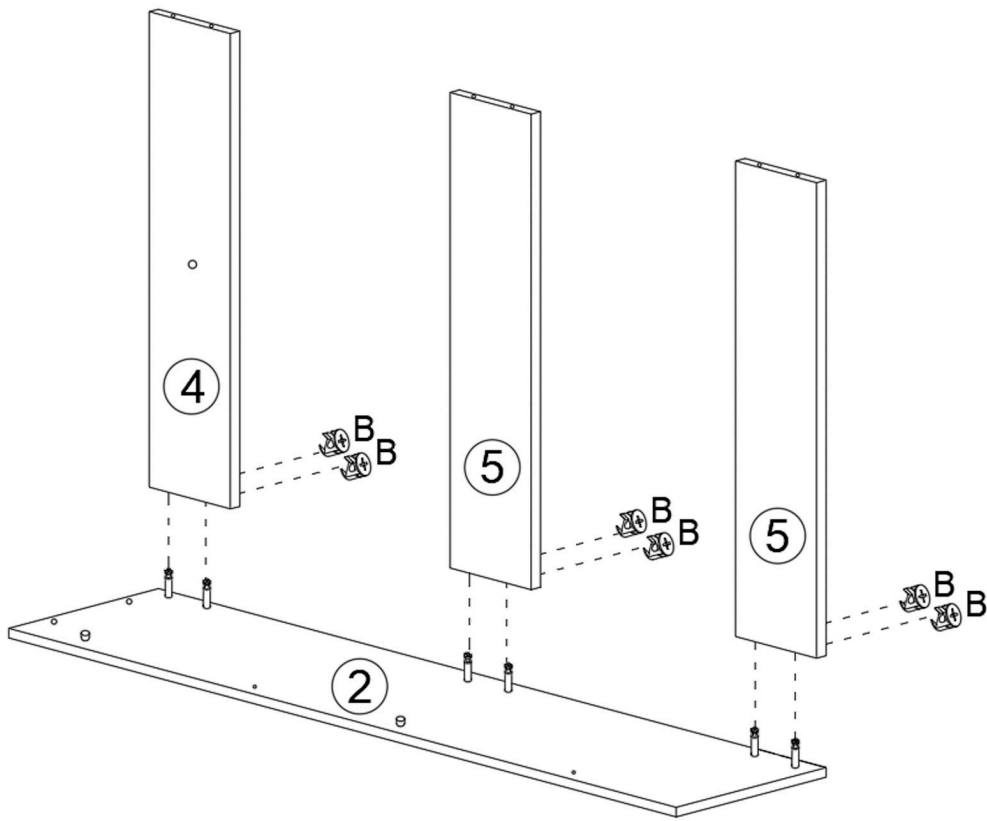
X2



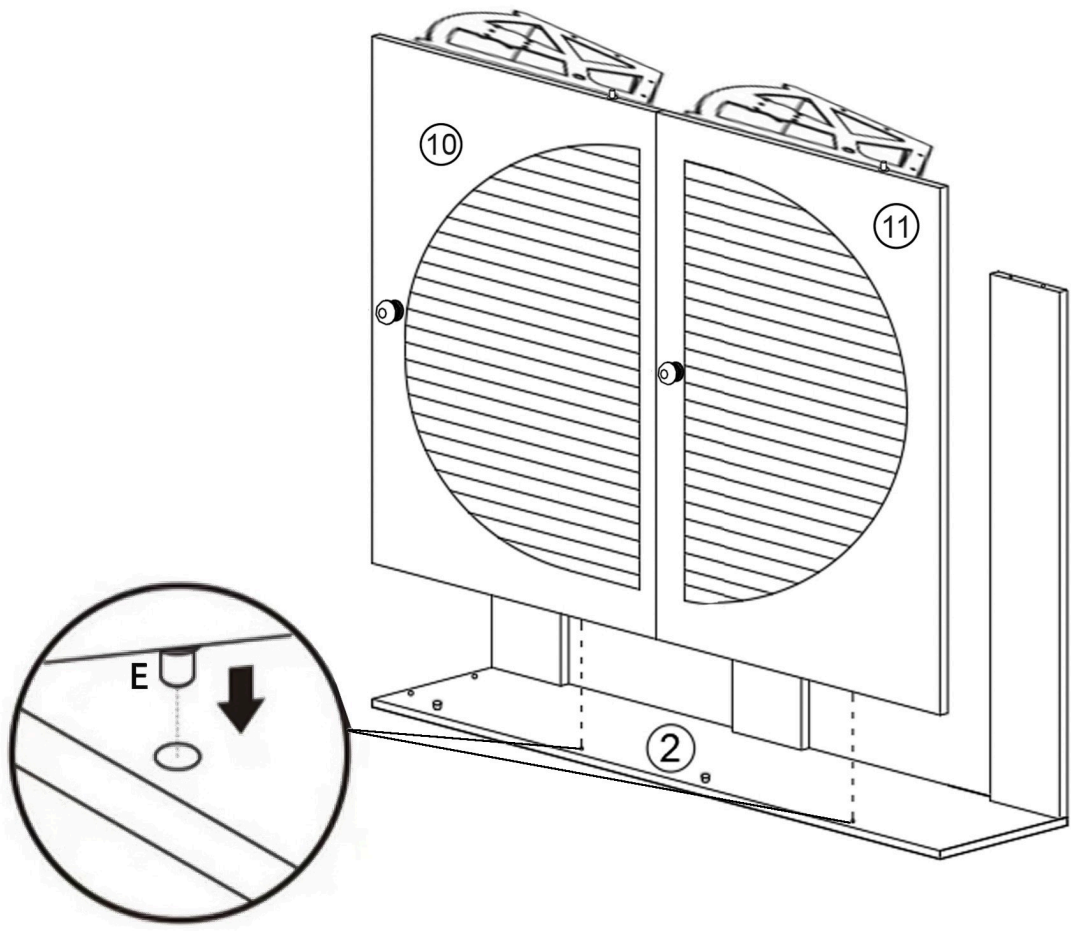
Step 4



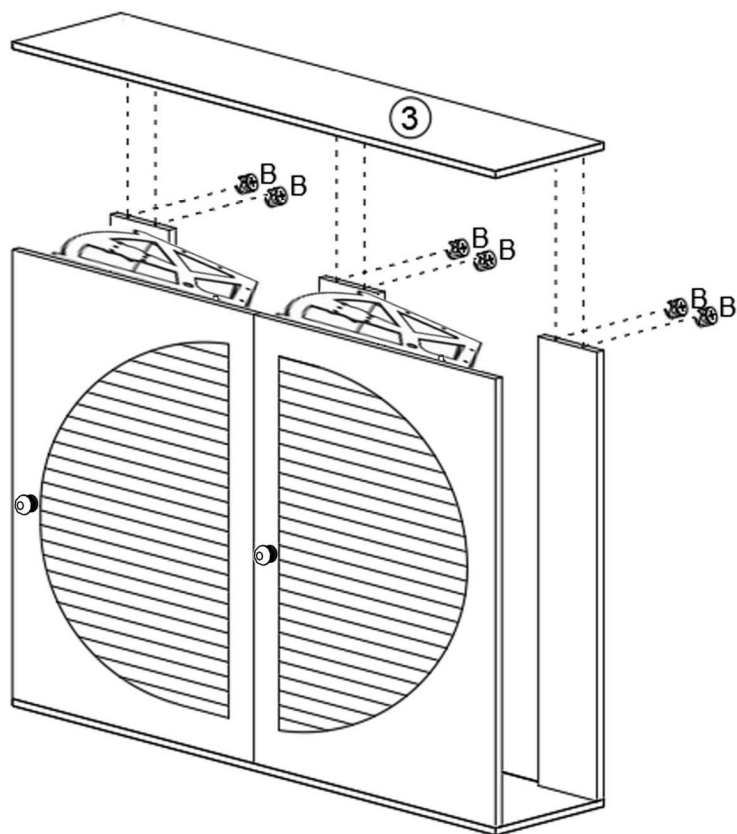
Step 5



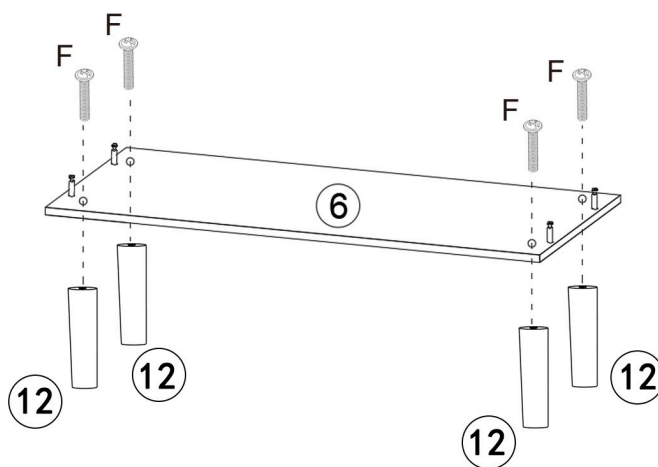
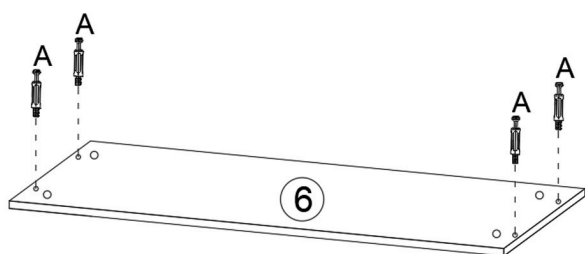
Step 6



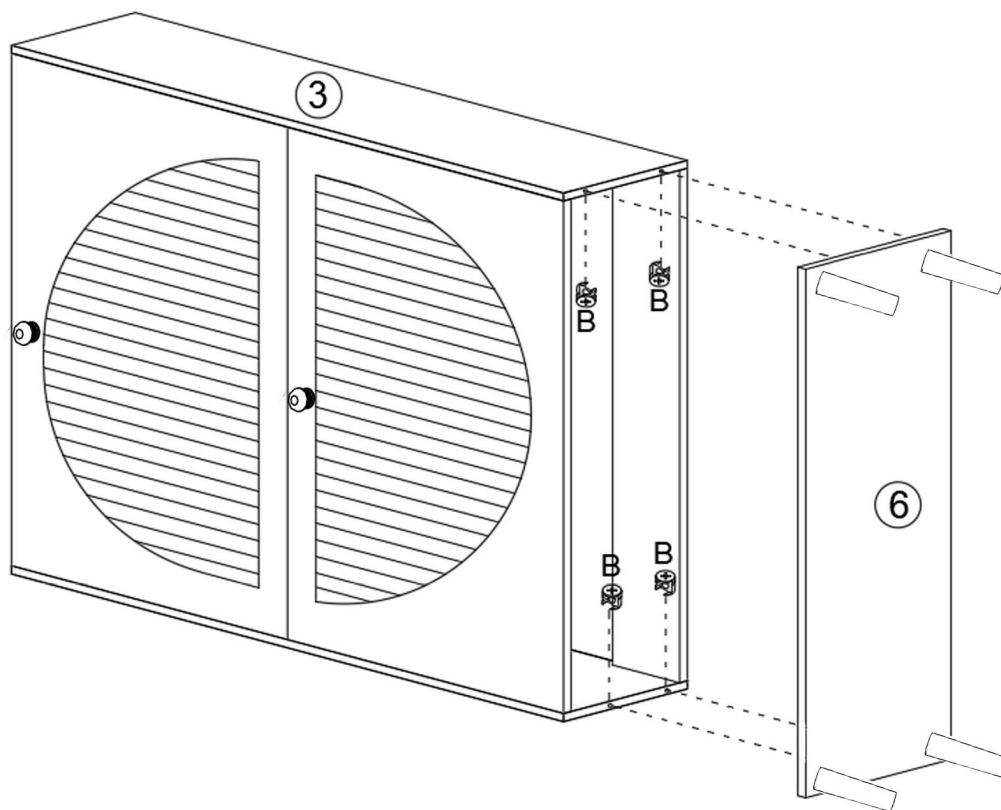
Step 7



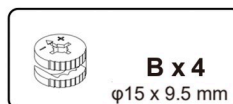
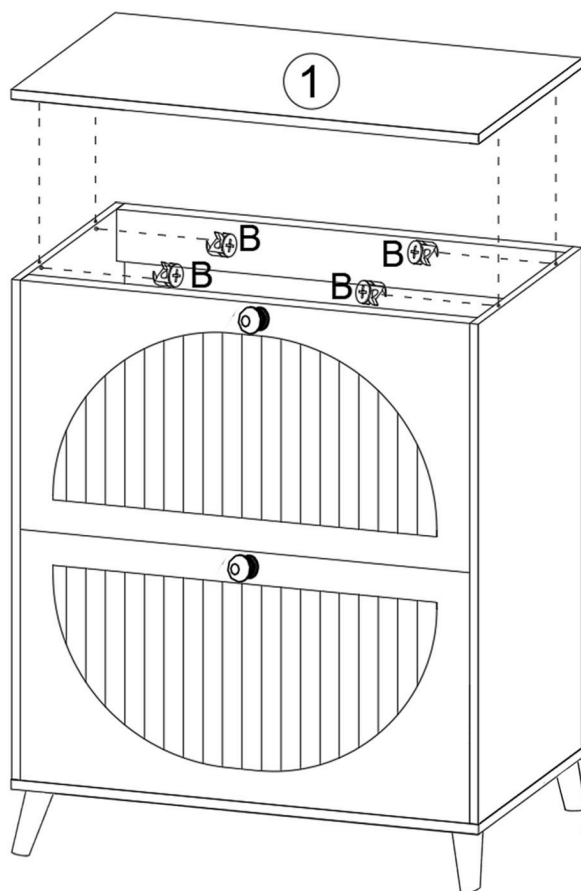
Step 8



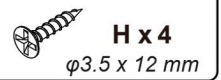
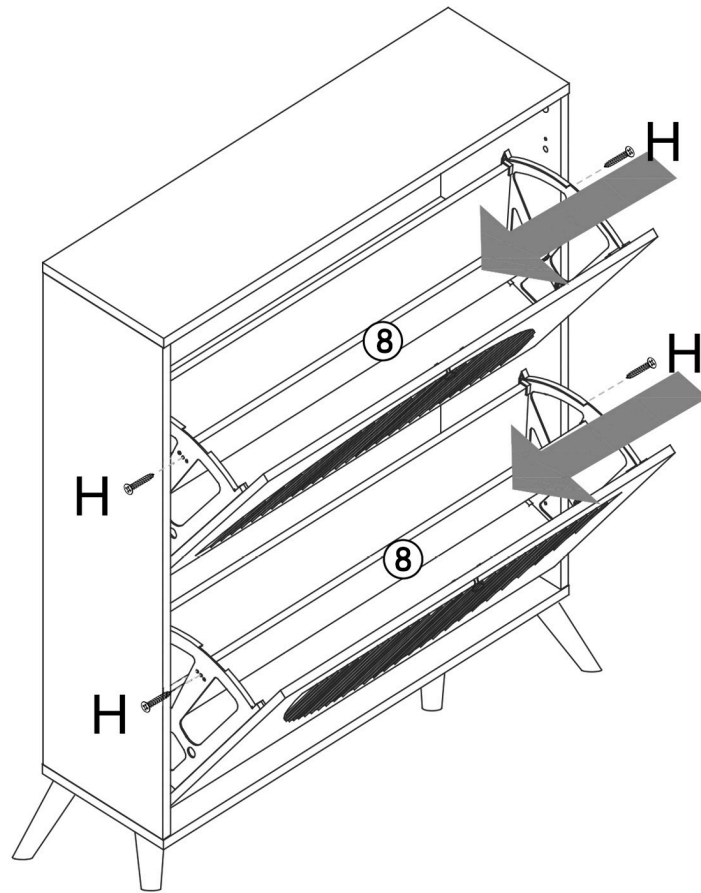
Step 9



Step 10



Step 11



Step 12

