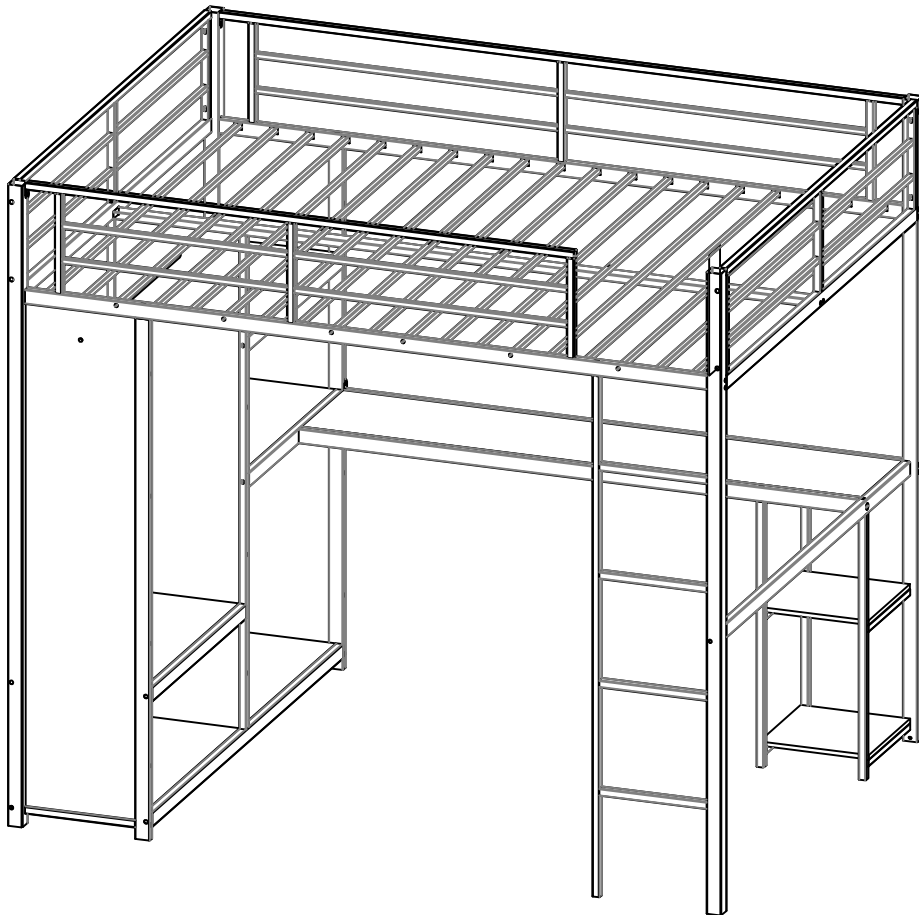


LOFT BED ASSEMBLY INSTRUCTIONS



Please use the screws according to the instructions

SAFETY WARNINGS AND GENERAL NOTES:

1. Follow the information on the warnings on the bunk bed end structure and on the carton. Do not remove the warning label from the bed.
2. Always use the recommended size mattress on mattress support, or both, to help prevent the likelihood of entrapment or falls.
3. Do not allow children under 6 years of age to use the upper bunk.
4. Periodically check and ensure the guardrail, ladder and other components are in their proper position, free from damage, and all connectors are tight.

5. Do not allow horseplay on or under beds.
6. Always prohibit jumping on the bed.
7. Prohibit more than one person on upper bunk.
8. Always use the ladder for entering and leaving the upper bunk.
9. Do not use substitute parts. Contact the manufacturer or dealer for replacement parts.
10. Use of a night-tight may provide added safety precaution for a child using the upper bunk.

11. Always use guardrails on both long sides of the upper bunk.
12. If the bunk bed will be placed next to a wall, the guardrail that runs the full length of the bed should be placed against the wall to prevent entrapment between the bed and the wall.

The use of water or sleep flotation mattresses is prohibited.

13. **STRANGULATION HAZARD**-Never attach or hang items to any part of the bunk bed that are not designed for use with the bed; for example, but not limited to, hooks, belts and jump ropes.

14. Keep these instructions for future reference.
15. We recommend assembling your bunk bed on the shipping carton to protect your floor or carpet.
16. Be certain all staples are out of the box before beginning assembly on the shipping carton.

17. **USE ONLY MATTRESSES WHICH ARE AS THE TABLE BELOW ON UPPER AND ON LOWER BUNKS.**

Up bed (bunk bed and tribed included)

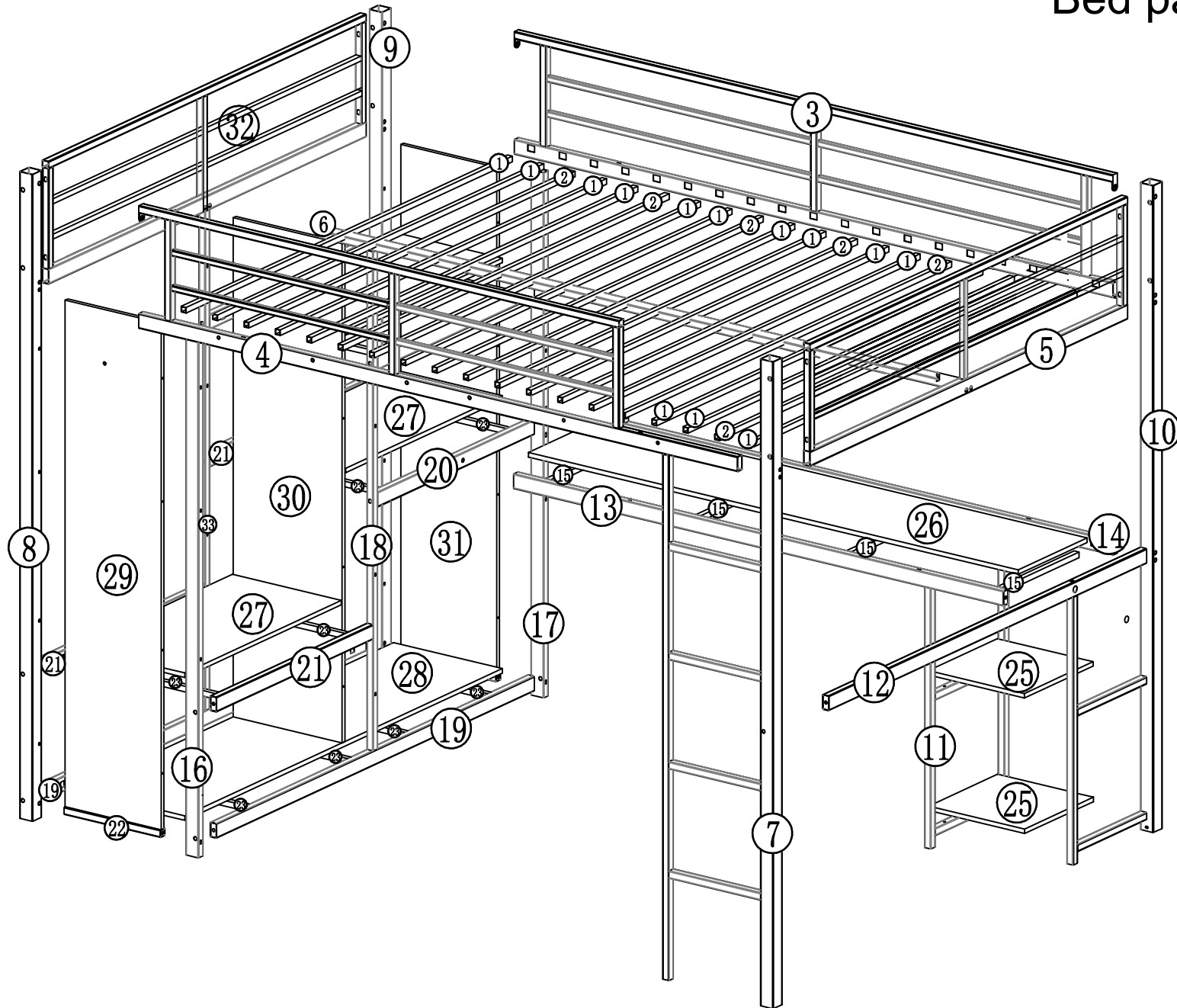
Mattress size	Length	Width	Thickness
FULL Standard	74"-75"	53"-54"	6"max











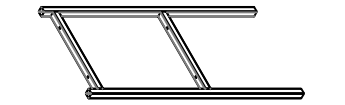






















18. **SURFACE OF MATTRESS MUST BE AT LEAST 5"(127MM) BELOW THE UPPER EDGE OF GUARDRAILS.**

19. Replacement Parts:














Replacement Parts, including additional guardrails, may be obtained from any of our dealers.

Bed parts view

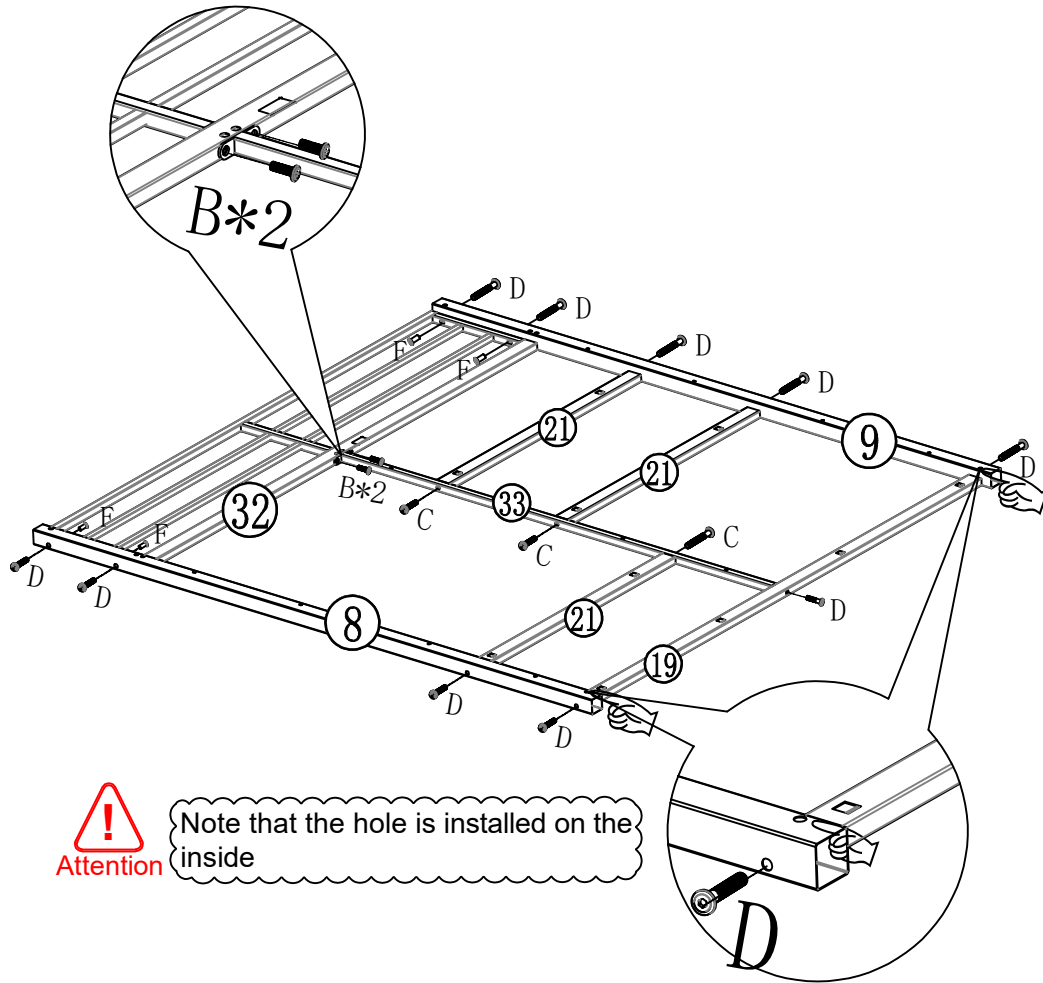


 1-13pcs	 2-6pcs	 3-1pcs	 4-1pcs	 5-1pcs	 6-1pcs	
 7-1pcs	 8-1pcs	 9-1pcs	 10-1pcs	 11-1pcs	 12-1pcs	
 13-1pcs	 14-1pcs	 15-4pcs	 16-1pcs	 17-1pcs	 18-1pcs	
 19-2pcs	 20-1pcs	 21-5pcs	 22-2pcs	 23-10pcs	 24-1pcs	
 25-2pcs	 26-1pcs	 27-3pcs	 28-1pcs	 29-1pcs	 30-1pcs	 31-1pcs
 32-1pcs	 33-1pcs					

HARDWARE LIST

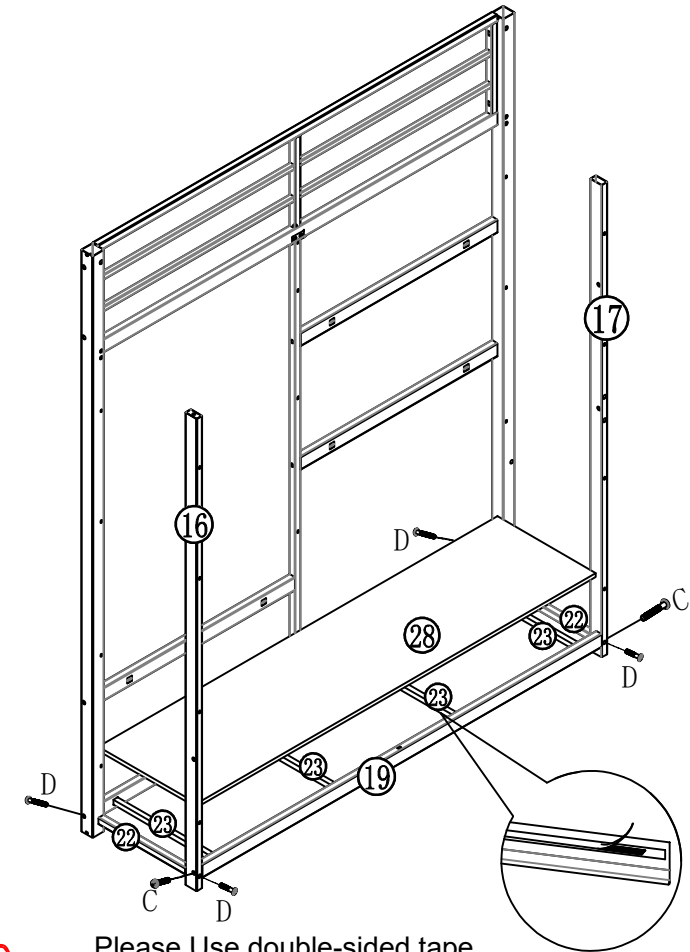
 4*35-8PCS			 8*15-11PCS							
 4*45-16PCS	C 8*35 23PCS	D 8*55 37PCS	 E 6*30-18PCS	K 38PCS	B 8*16 4PCS	(Installed)	(Installed)	(Installed)	O 1PCS	M

Step 1: Use hardware L,F,C,B and D to connect #32 #8 #9#33 #19 and #21 together.



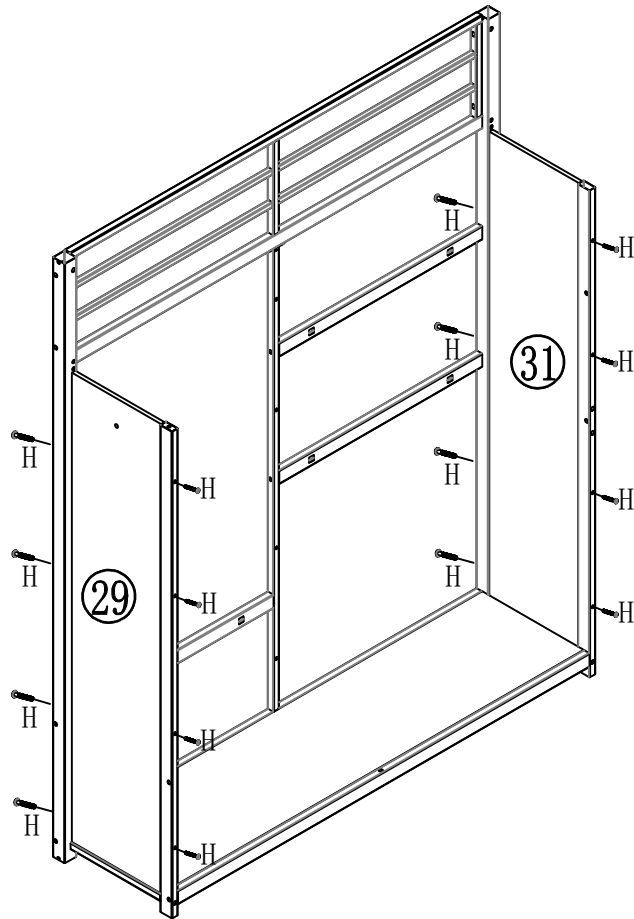
Note that the hole is installed on the inside

Step 2: Use hardware C,D,H,G,M and L to connect #16,#17#19#28#22 and #23 together.

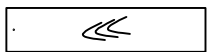
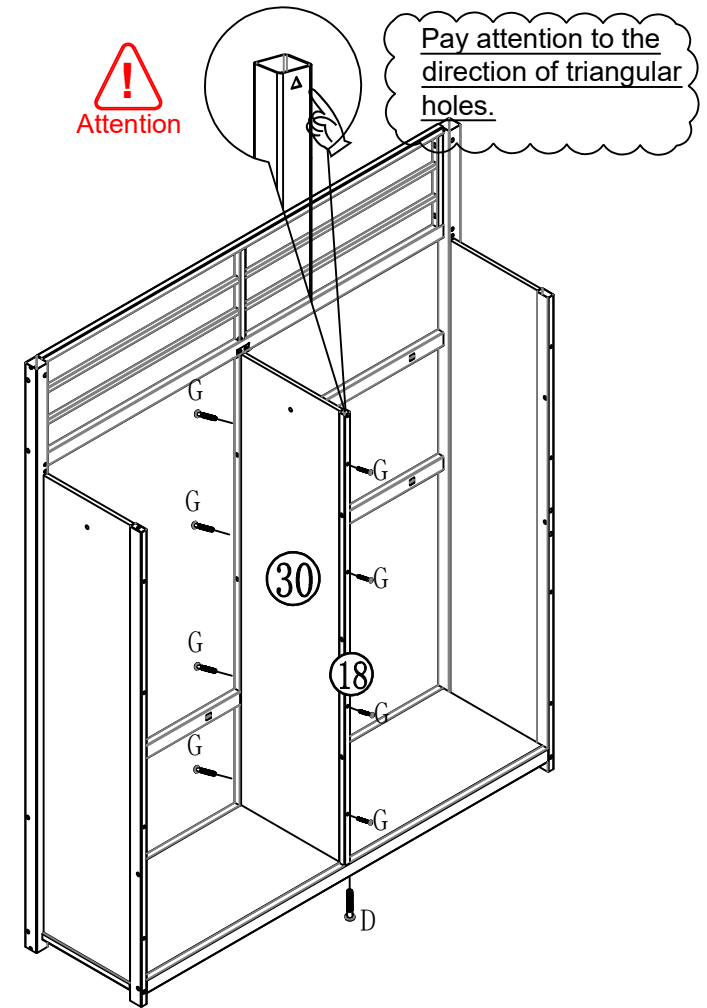


Please Use double-sided tape to secure the board tear off the adhesive tape before placing the board.

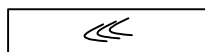
Step 3: Use hardware H and M to connect #29 and #31 together.



Step 4: Use hardware H,D and M to connect #18 and #30 together.



29-1pcs



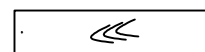
31-1pcs



4*50-16PCS



M



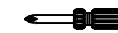
30-1pcs



18-1pcs



4*35-8PCS



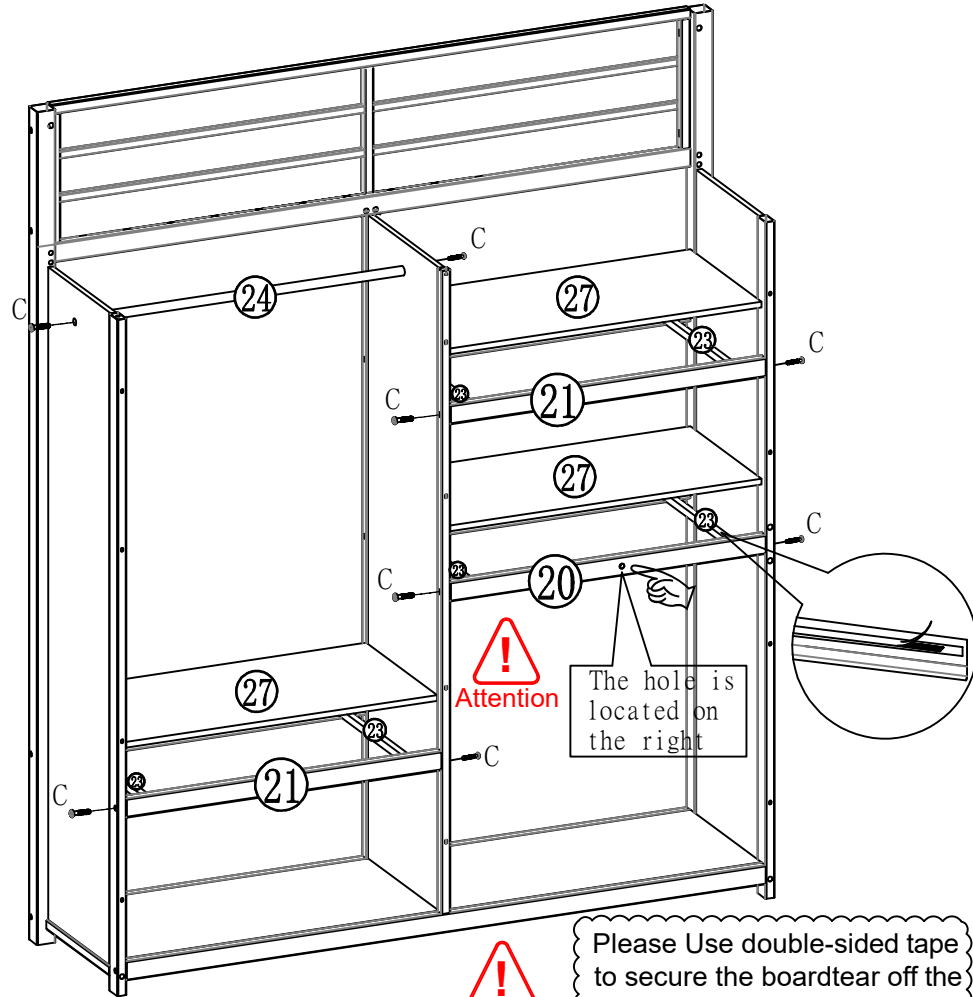
M



D

8*55-1PCS

Step 5: Use hardware C, and L to connect #24 #27 #23 #20 and #21 together.





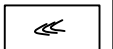




Attention

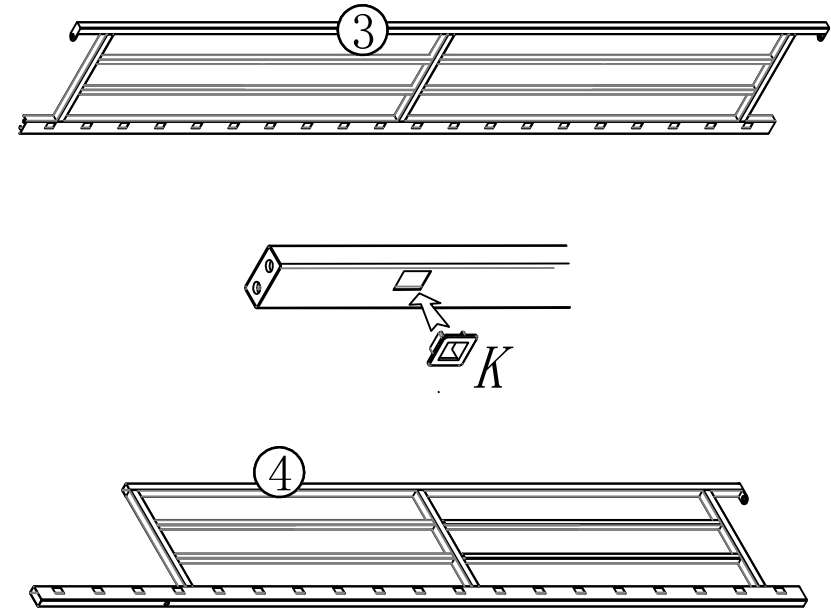
The hole is located on the right



Attention


Please Use double-sided tape to secure the board tear off the adhesive tape before placing the board.

						
24-1pcs	21-2pcs	20-1pcs	23-6pcs	27-3pcs	C 8*35 -8PCS	L

Step 6: Install part #K to parts #3 and #4 together.



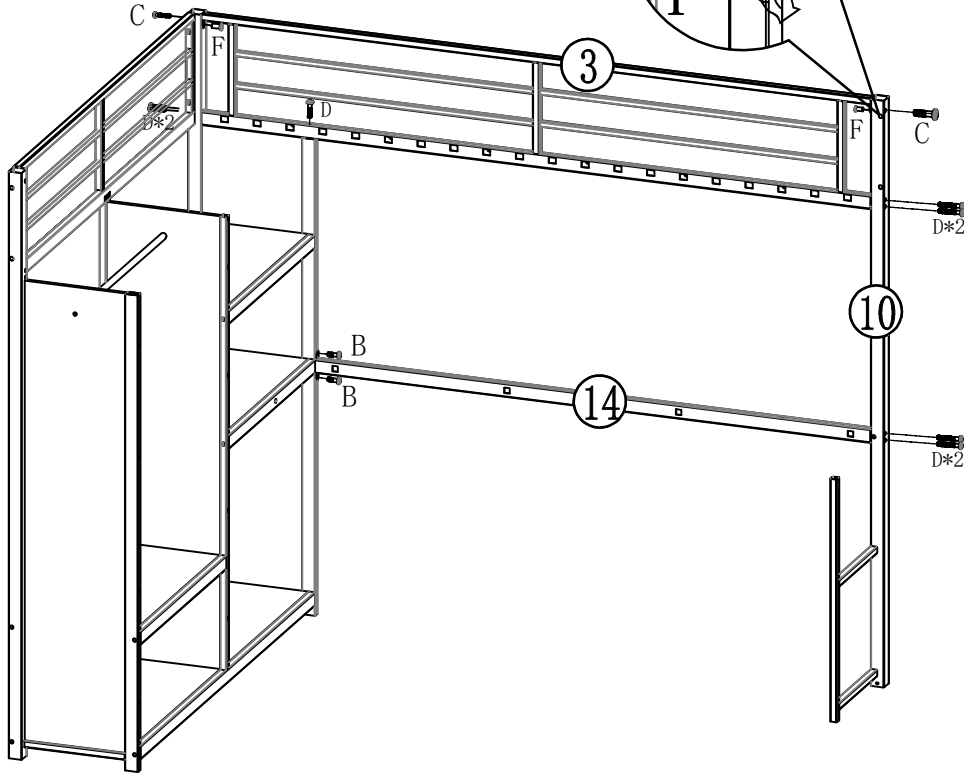
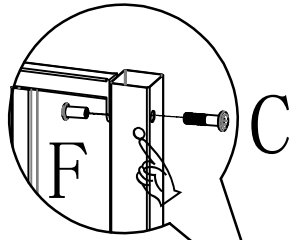
	
3-1pcs	4-1pcs


K*38

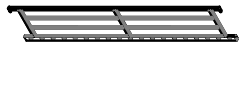
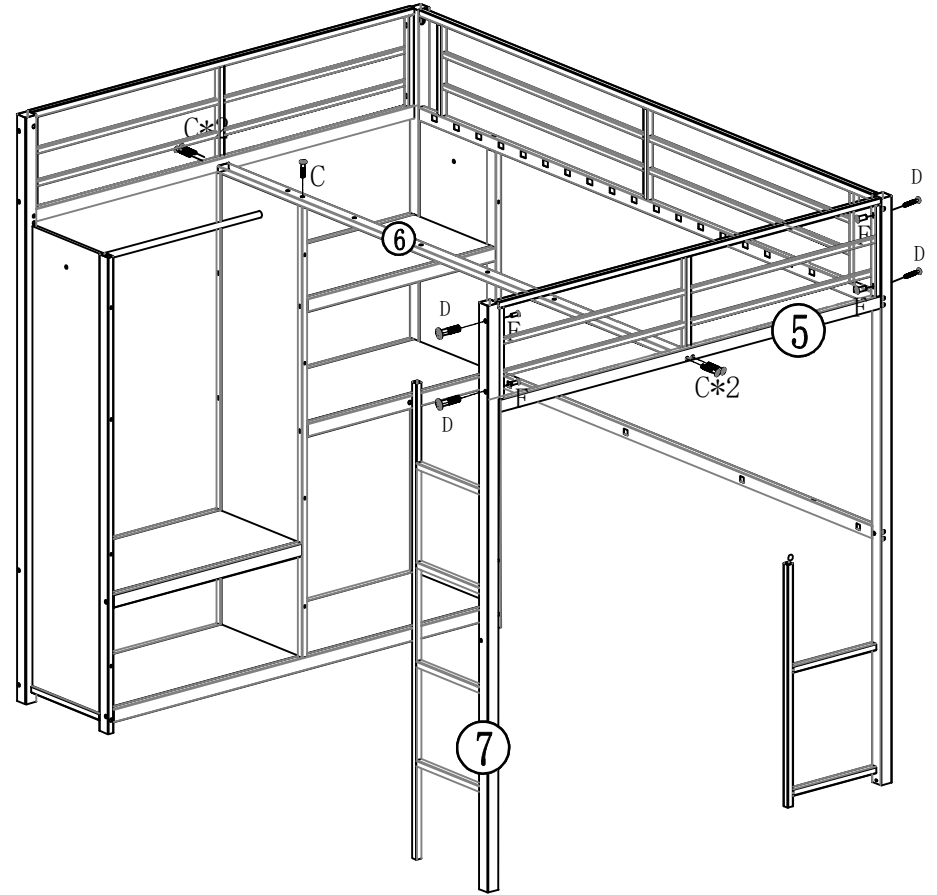
Step 7: Use hardware C,D,F,B,and L to connect #3 #10 and #14 together.



Note that this hole is installed on the outside.



Step 8: Use hardware C,D,F,and L to connect #5 #6 #7 to the previously installed components.



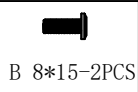
3-1pcs



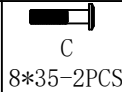
10-1pcs



14-1pcs



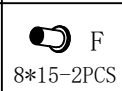
B 8*15-2PCS



C 8*35-2PCS



D 8*55-7PCS



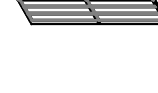
F 8*15-2PCS



L



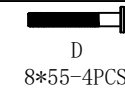
6-1pcs



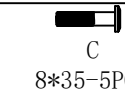
5-1pcs



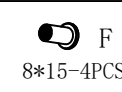
7-1pcs



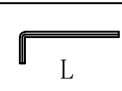
D 8*55-4PCS



C 8*35-5PCS

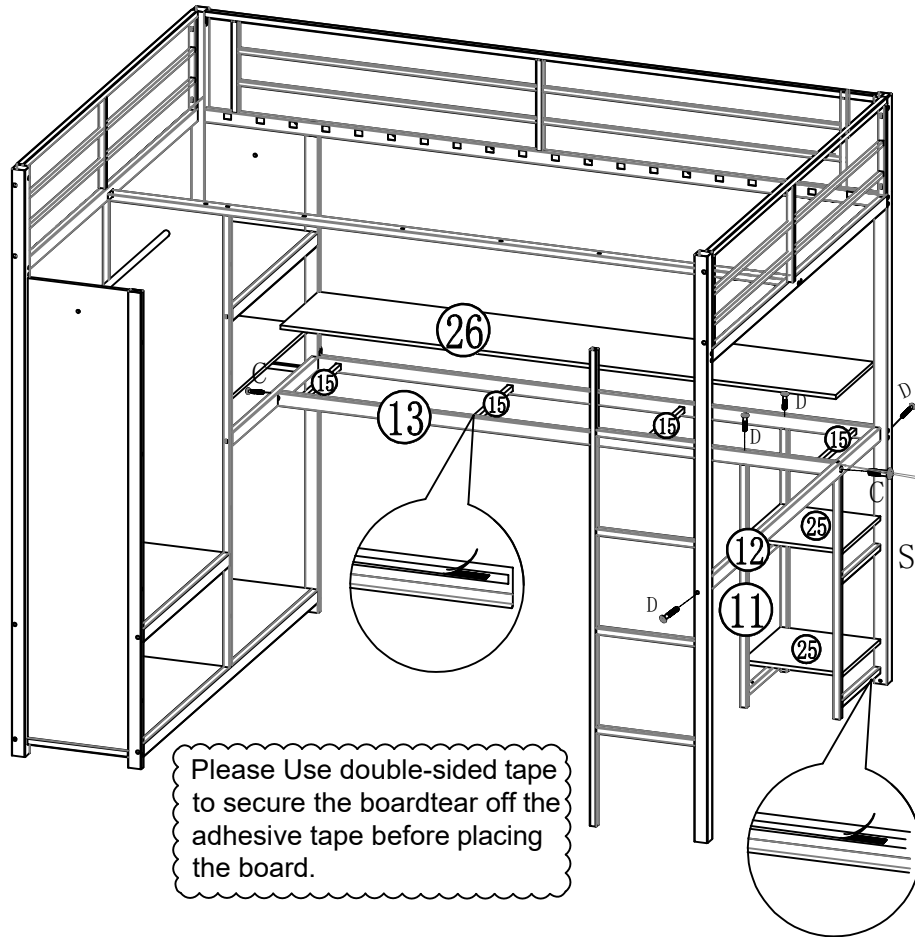


F 8*15-4PCS

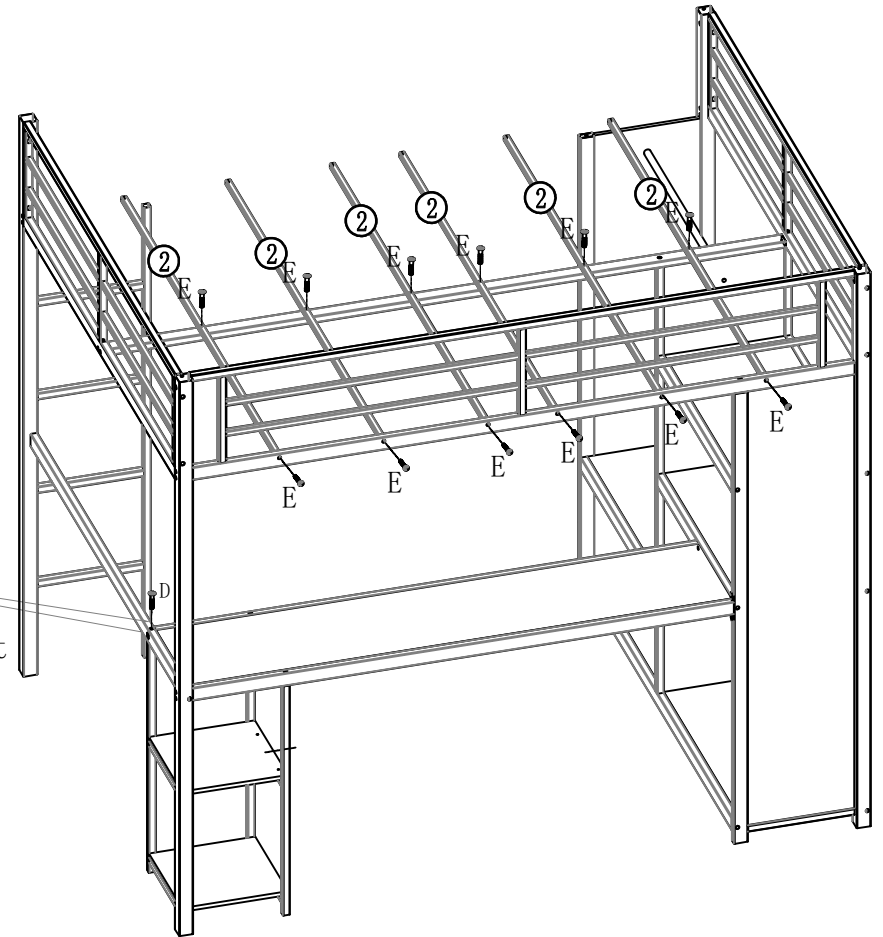






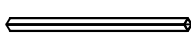



L





Step 9: Use hardware C,D,and L to connect #13 #15#12 #26 #11and #25 together.



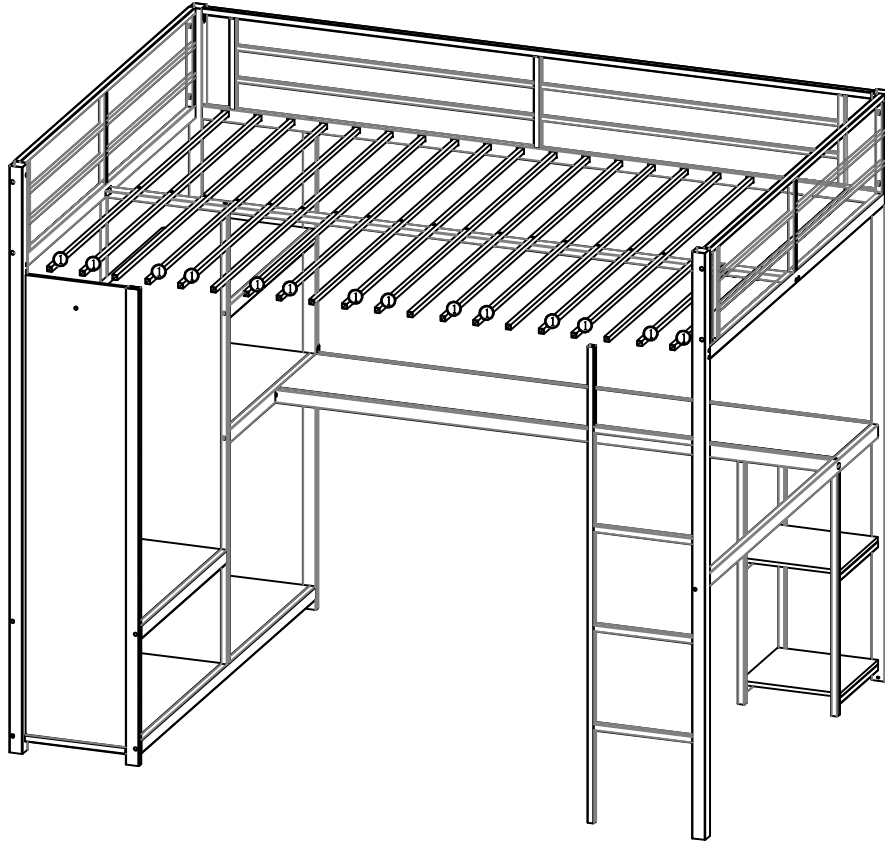
Step 10: Use hardware ,D,E,and L to connect #2 to the previously installed components.



 13-1pcs	 26-1pcs	 11-1pcs	 8*55-4PCS
 15-4pcs	 25-2pcs	 12-1pcs	 8*35-2PCS

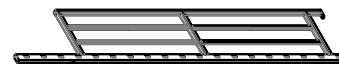
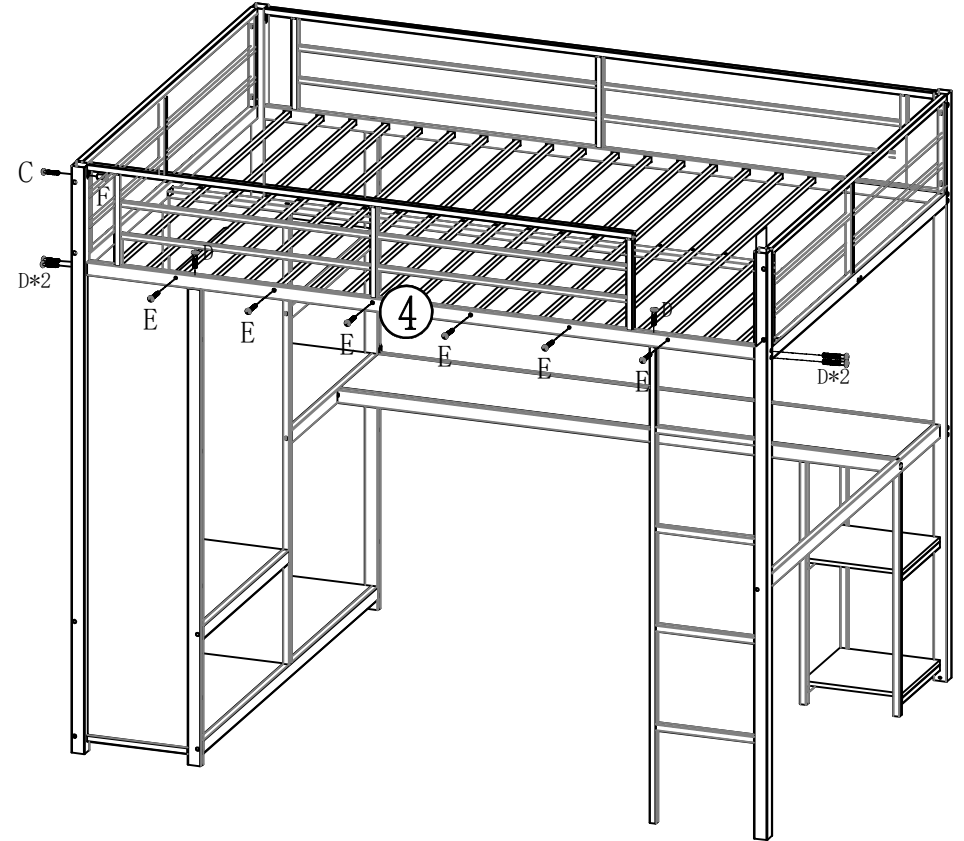
 2-6pcs	 8*55-1PCS	 6*30-12PCS	 L
---	--	---	--

Step 11: Connect #1 to the previously installed components.



1-13pcs

Step 12: Use hardware C,D,E,F, and L to connect #4 to the previously installed components.



4-1pcs



D
8*55-6PCS



E
6*30-6PCS



C
8*35-1PCS

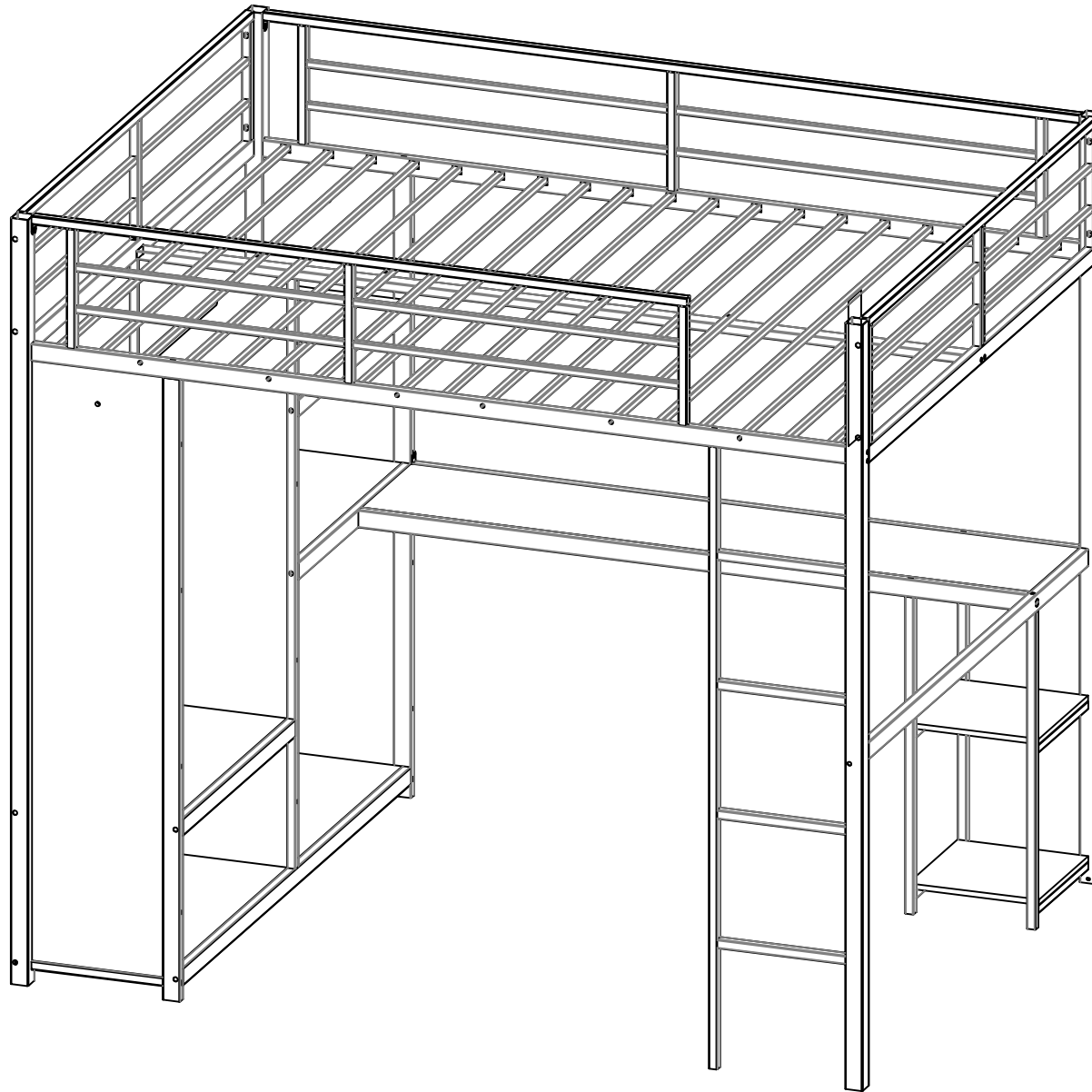


F
8*15-1PCS



L

Completed loft bed



Attention

Please tighten all screws before use, thank you.