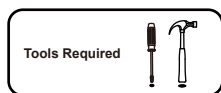
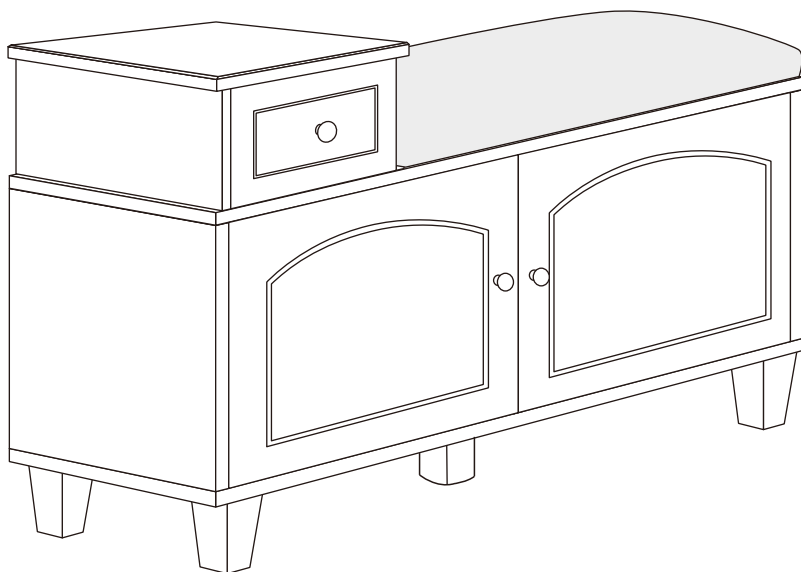


INSTALLATION MANUAL

SHOE(STORAGE) CABINET



updated on 04/15/2022

CONTENT

STRUCTURAL DECOMPOSITION DIAGRAM PAGE 1

PARTS LIST PAGE 2

INSTALLATION STEPS PAGE 4

INTRODUCTION

Before using the product ,please read this manual carefully and then assemble it. To avoid any injury or damage to the product,please follow safety rules below.

- Product to be installed in a dry,flat place indoor.
- Assembly & movement: minimum 2 adults - heavy product.
- Make sure all screws in the part list included in the hardware package before assembly.
- In the event of a missing items,contact the seller within 48 hours.

TIPS AND WARNINGS:

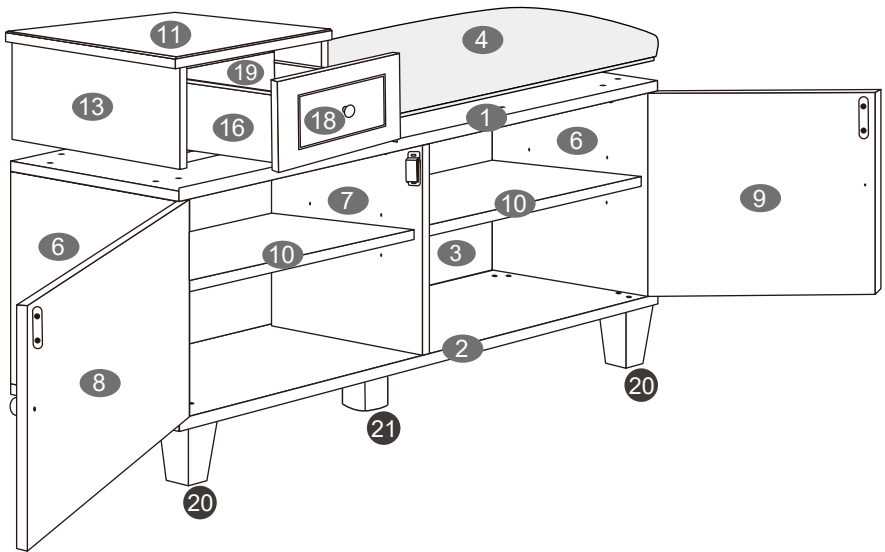
- Do not store in a damp room or outdoor.
- Beware of the risks of pinching and puncturing during installation.

Maintenance :

Cleaning with a dry cloth.

Keep away from water or wet shoes.








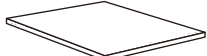








STRUCTURAL DECOMPOSITION DIAGRAM


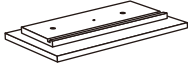



The picture is for reference only

PART LIST










Illustration picture for reference only







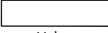

NO.	DESCRIPTION	QTY	SIZE	ILLUSTRATION
①	Top panel	1	31.4*14.1*0.59"	
②	Bottom panel	1	31.4*14.1*0.59"	
③	Back panel	1	30.4*14.1*0.19"	
④	Cushion	1	21.0*14.1*0.35"	
⑤	Back brace plate	1	31.1*1.18*0.59"	
⑥	Side panel	2	14.0*13.7*0.59"	
⑦	Partition panel	1	13.6*12.6*0.59"	
⑧	Door panel	1	14.7*13.4*0.59"	
⑨	Door panel	1	14.7*13.4*0.59"	
⑩	Movable board	2	14.6*12.2*0.47"	
⑪	Storage box top panel	1	14.1*11.4*0.59"	
⑫	Storage box bottom panel	1	12.6*9.84*0.59"	
⑬	Storage box side panel	1	13.9*5.78*0.59"	
⑭	Storage box side panel	1	13.9*5.78*0.59"	
⑮	Storage box back panel	1	9.84*5.78*0.59"	
⑯	Drawer side panel	2	12.2*4.13*0.47"	

17	Drawer bottom panel	1	11.6*9.05*0.19"	
18	Drawer panel	1	9.64*5.55*0.59"	
19	Drawer back panel	1	8.66*4.64*0.47"	

PART LIST

Illustration picture for reference only

NO.	ILLUSTRATION	QTY	SIZE
20		4	
21		1	
22		8	1/8"x15/32"
23		20	5/32"x1-3/8"
24		13	
25		12	
26		12	
27		2	
28		2	

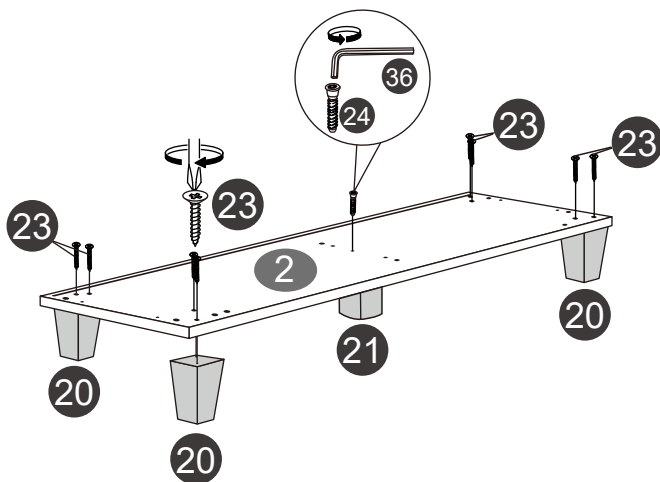
NO.	ILLUSTRATION	QTY	SIZE
29		17	1/16"x1-3/16"
30		4	
31		4	
32		3	
33		2	5/32"x25/32"
34		1	5/32"x1-3/16"
35	 Velcro	2	
36		1	

INSTALLATION STEPS

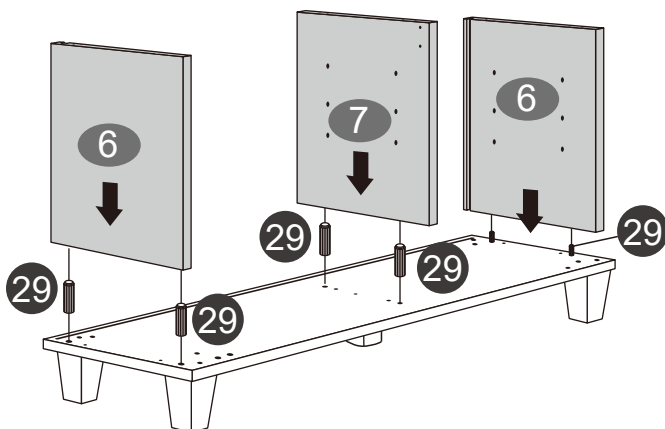
Please read the instructions carefully before assembling the cabinet.

Two adults are required for assembly of this product on a clean, flat surface instead of a rough surface.

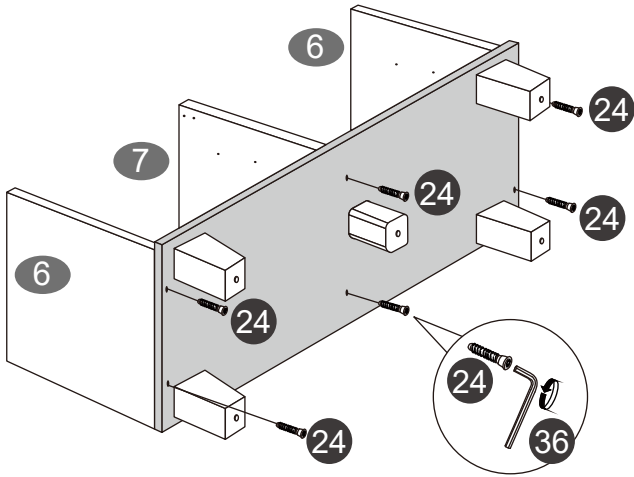
STEP 1



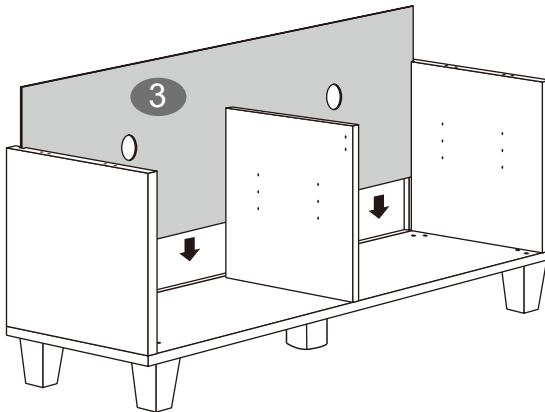
STEP 2



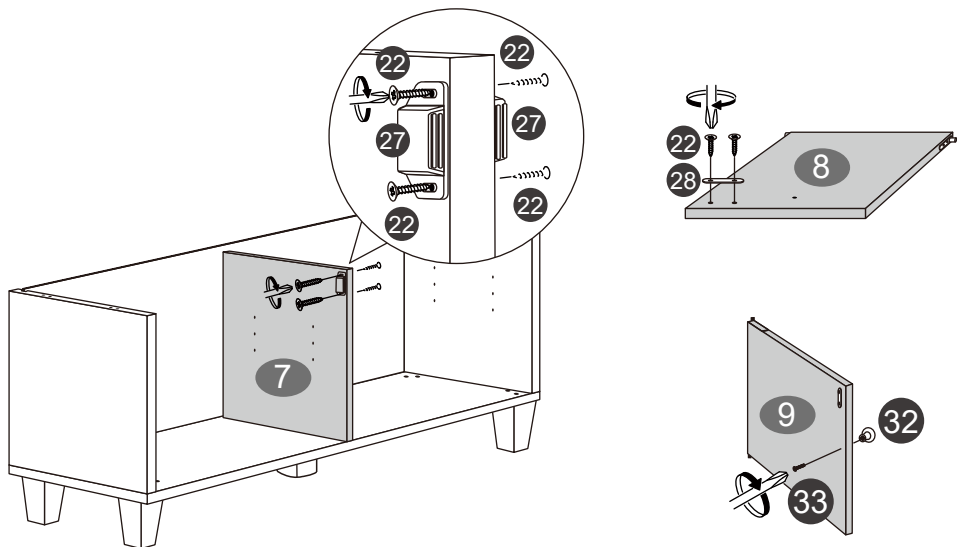
STEP 3



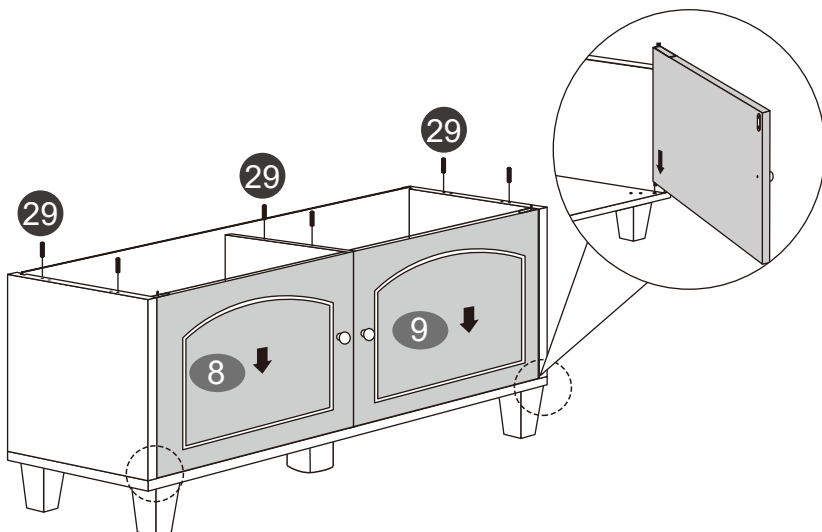
STEP 4



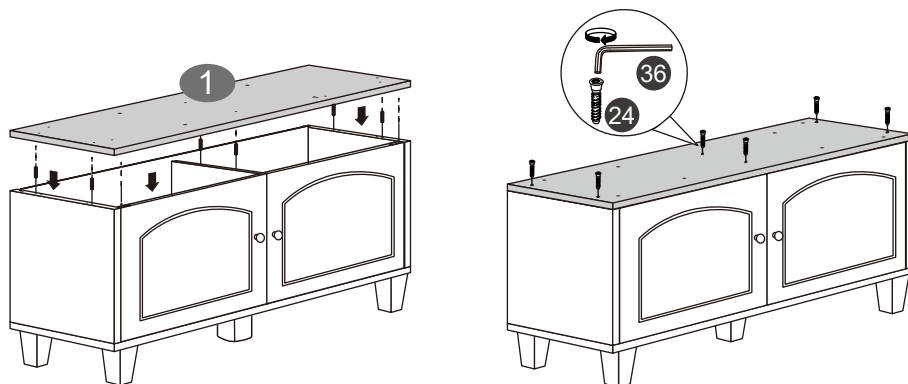
STEP 5



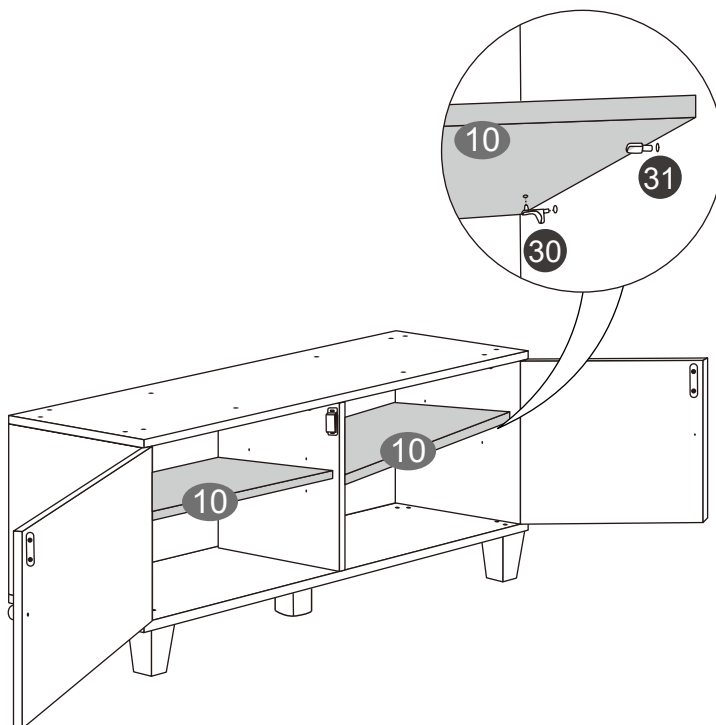
STEP 6



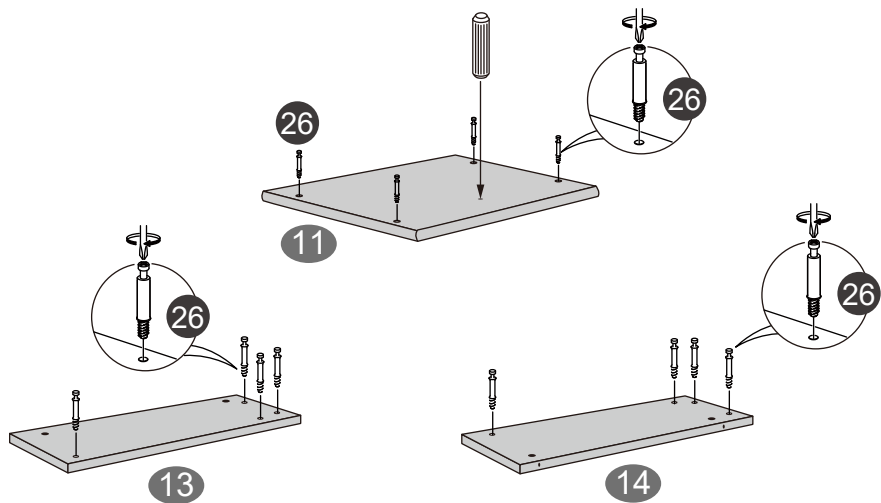
STEP 7



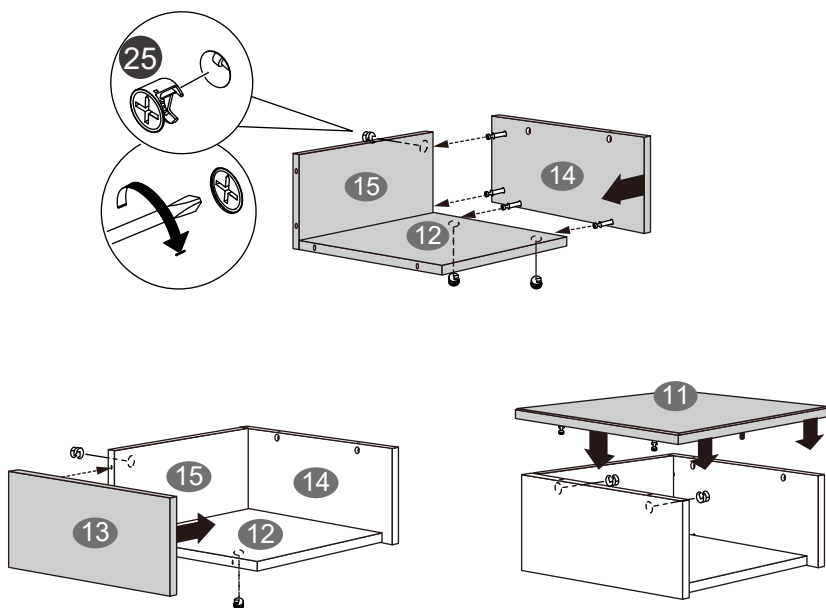
STEP 8



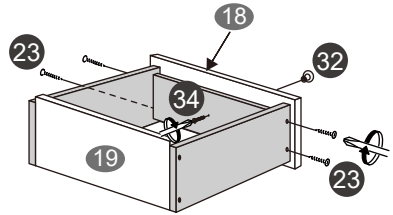
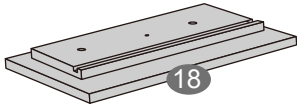
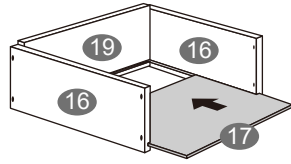
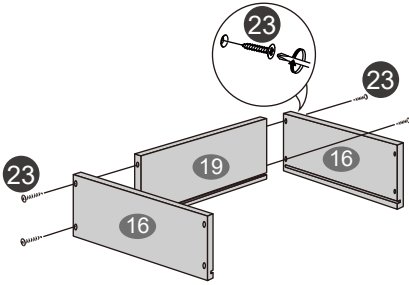
STEP 9



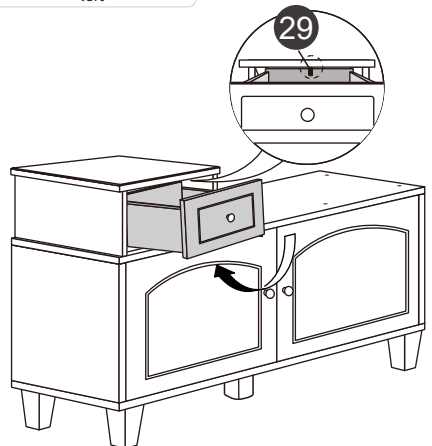
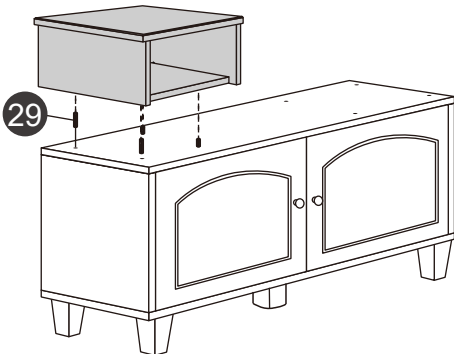
STEP 10



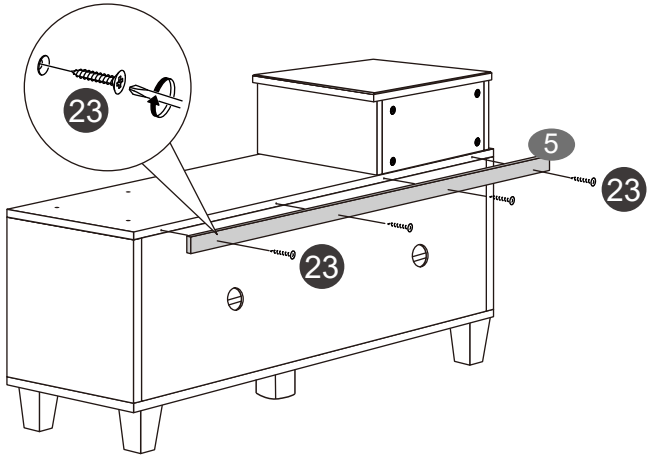
STEP 11



STEP 12



STEP 13



STEP 14

